

SIRUBA

PARTS LIST

Series

LKS-1900AN

Parts Group

BC

Subclass / Remark

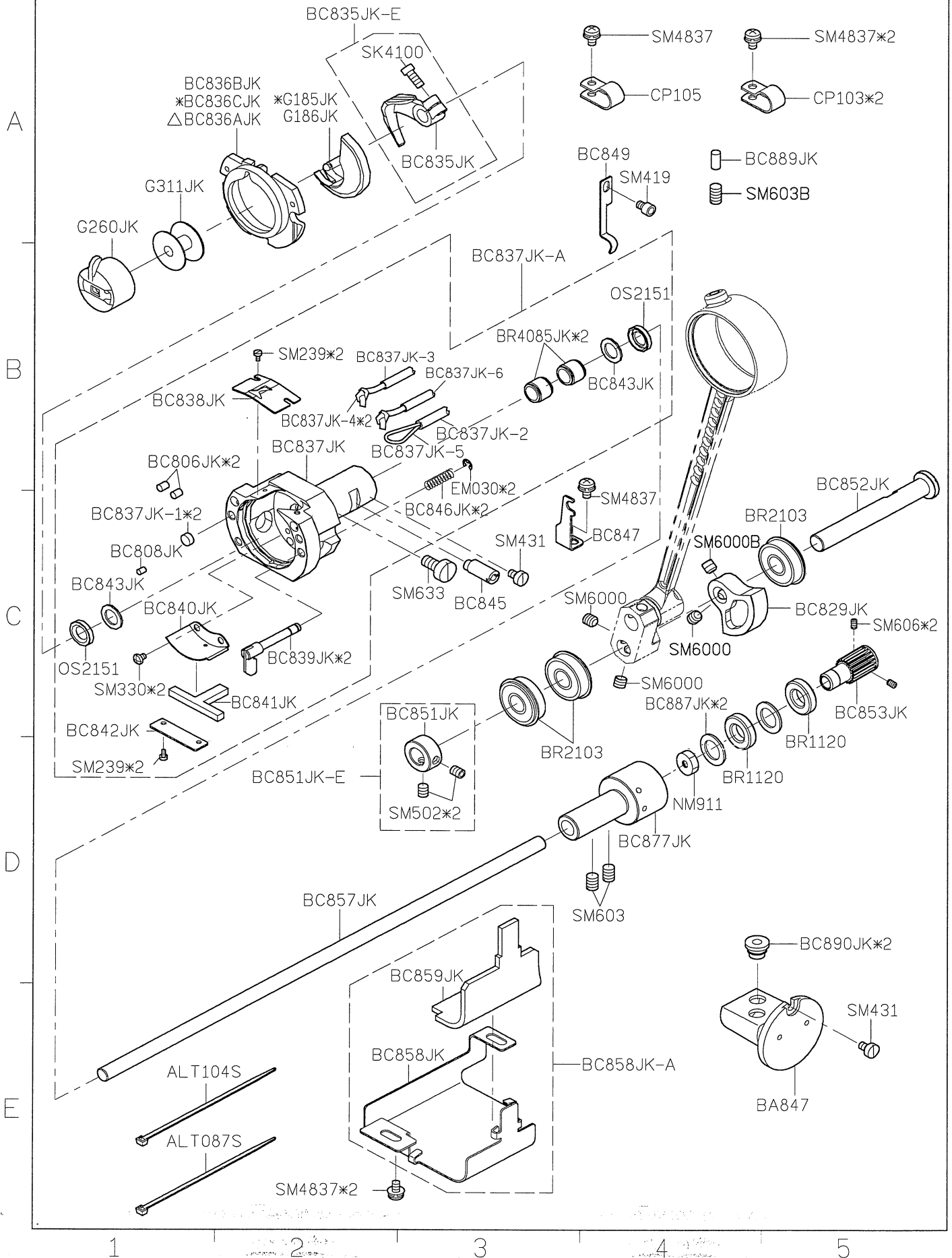
Use For
*LKS-1900ANHS
△LKS-1900ANFS

Page

2/2

Date

2018/11/29



SIRUBA PARTS LIST	Series	Parts Group	Subclass / Remark	Page
	LKS-1900AN	BE		2/2
				Date
				2016/04/01

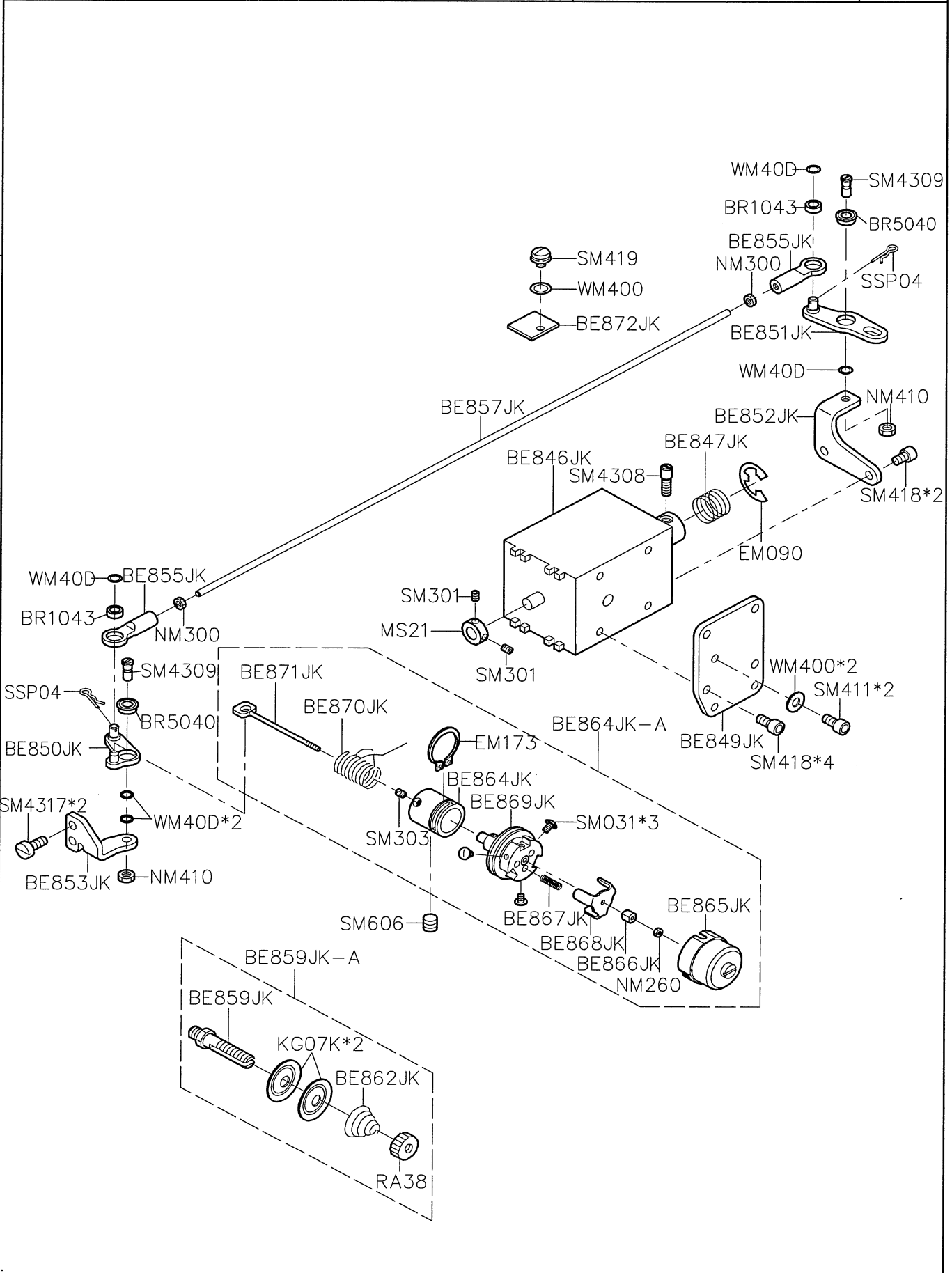
A

B

C

D

E



1

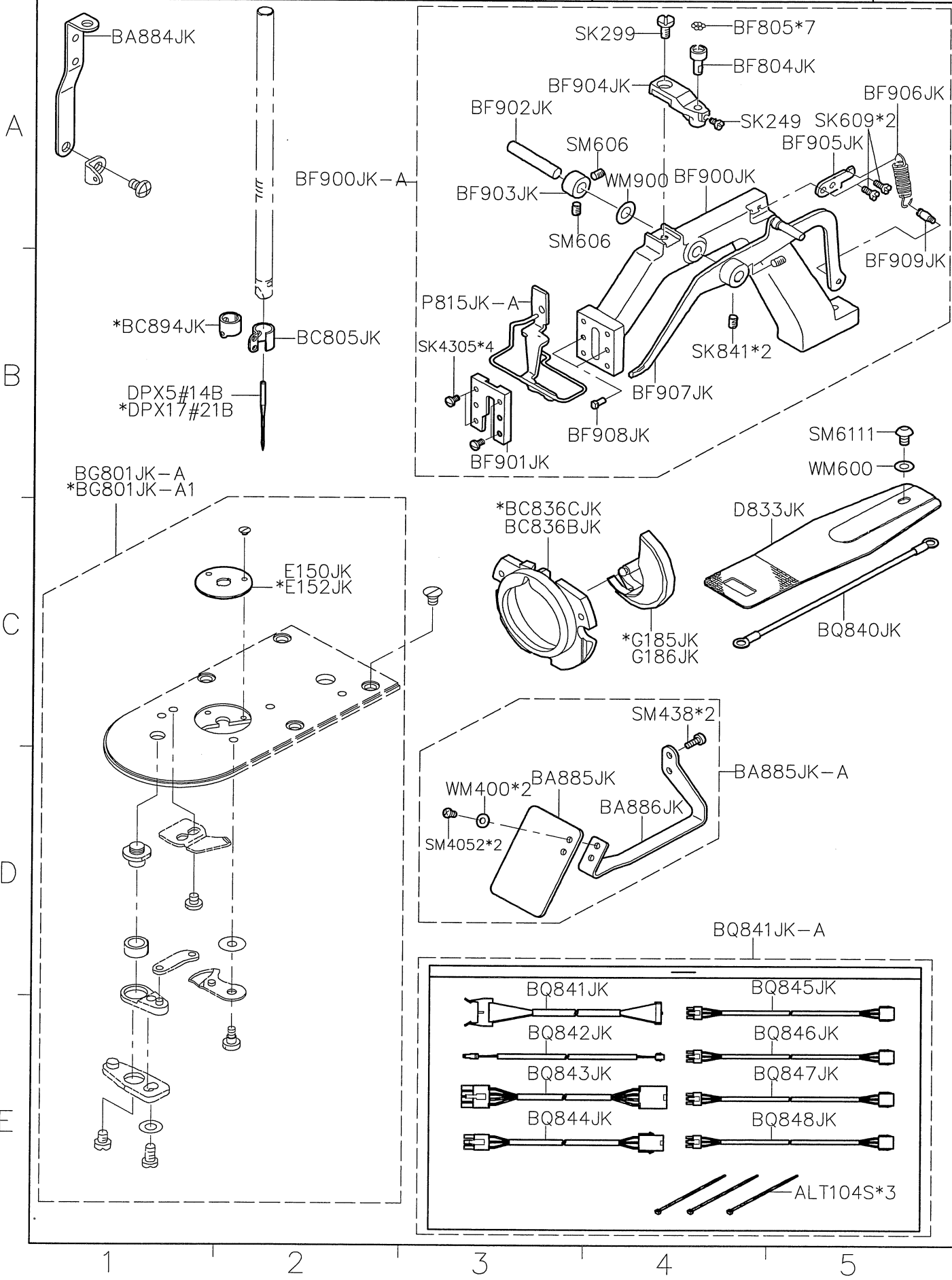
2

3

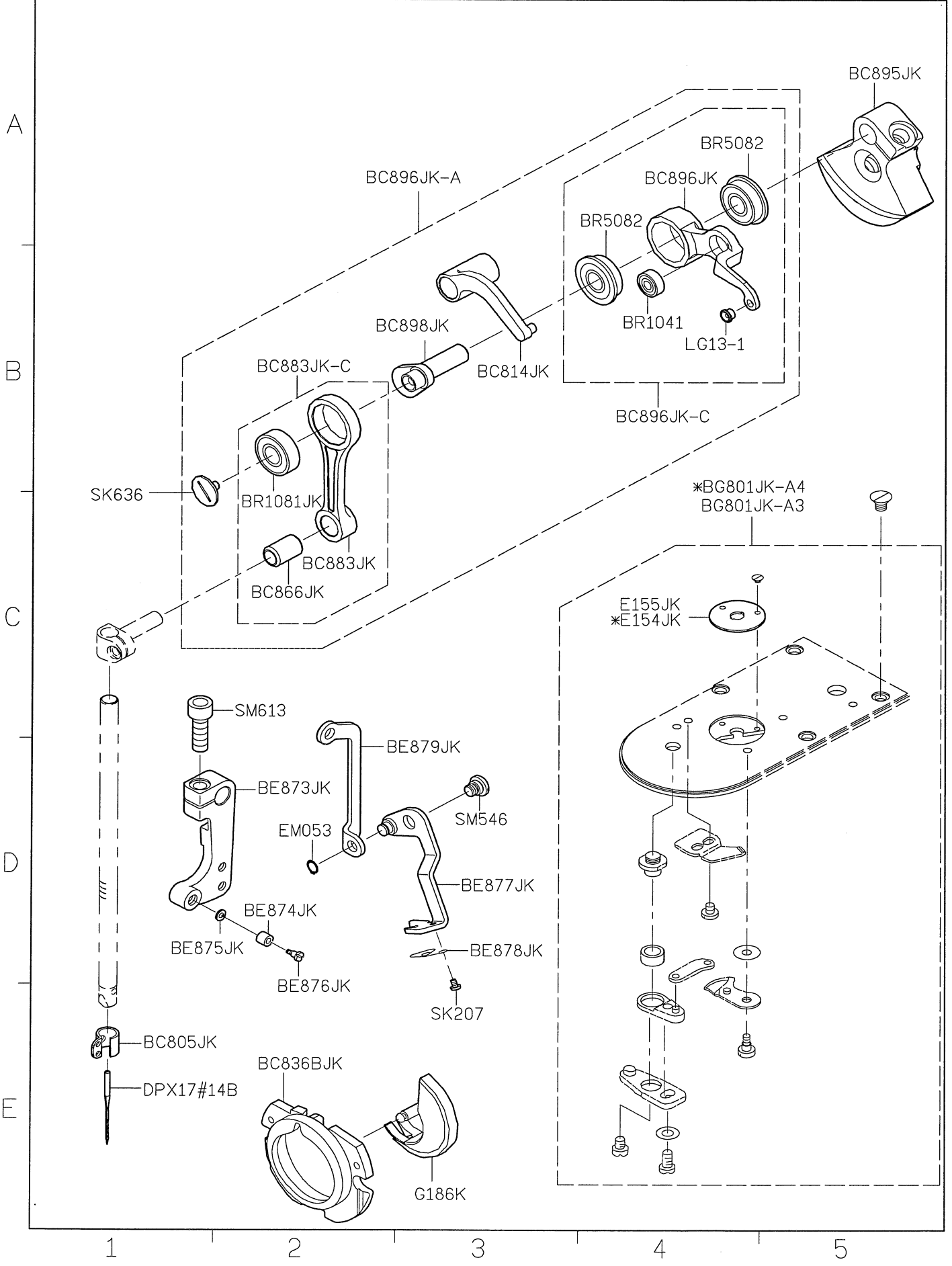
4

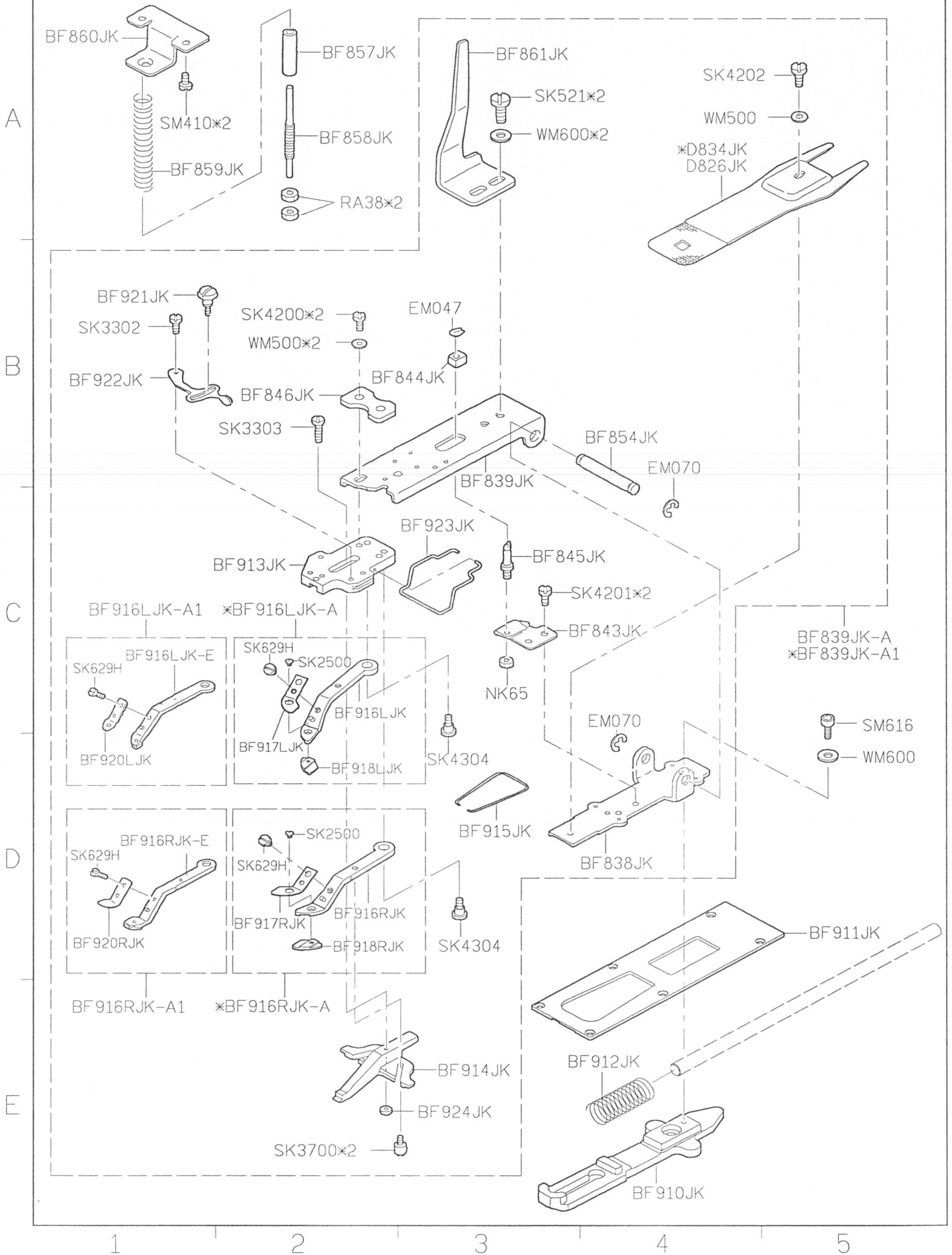
5

SIRUBA PARTS LIST	Series	Parts Group	Subclass / Remark	Page
	LKS-1902AN	BF	Use For *LKS-1902ANHS	2/5
				Date
				2016/04/25



SIRUBA PARTS LIST	Series	Parts Group	Subclass / Remark	Page
	LKS-1903AN	BF	* Use For LKS-1903ANSS302	3/5
				Date
				2016/05/11





SIRUBA PARTS LIST	Series	Parts Group	Subclass / Remark	Page
	LKS-1903AN	BF	* Use For LKS-1903ANSS301	5/5
				Date
				2016/03/04

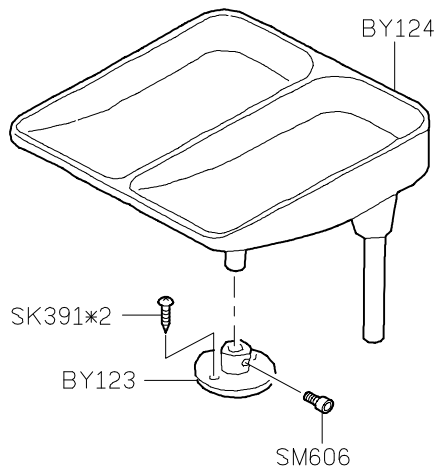
A

B

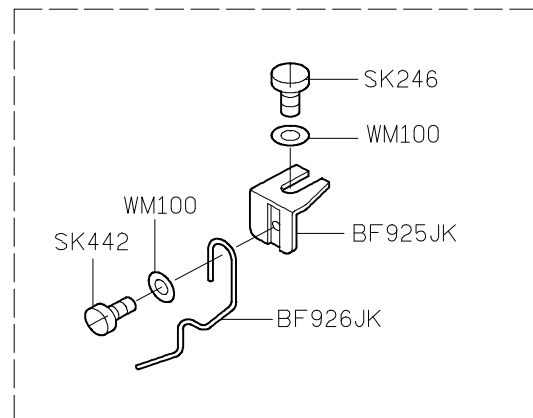
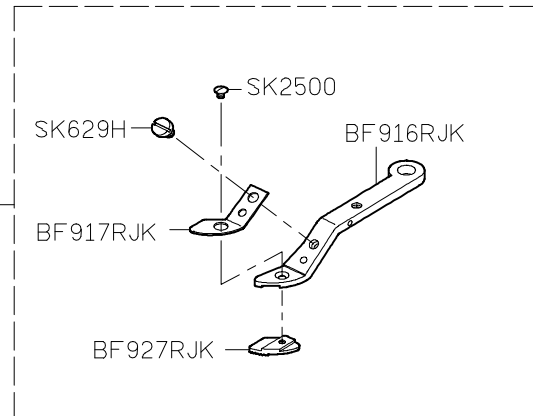
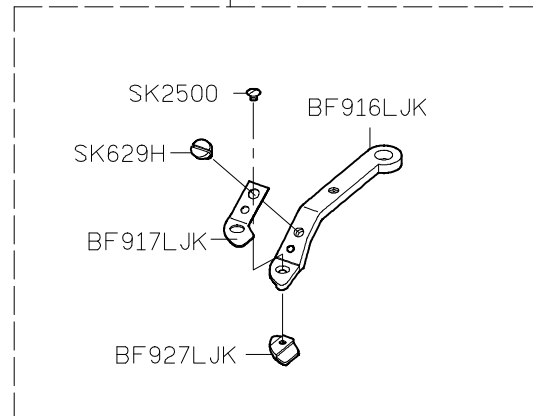
C

D

E



*BF916LJK-A2



BF925JK-A

1

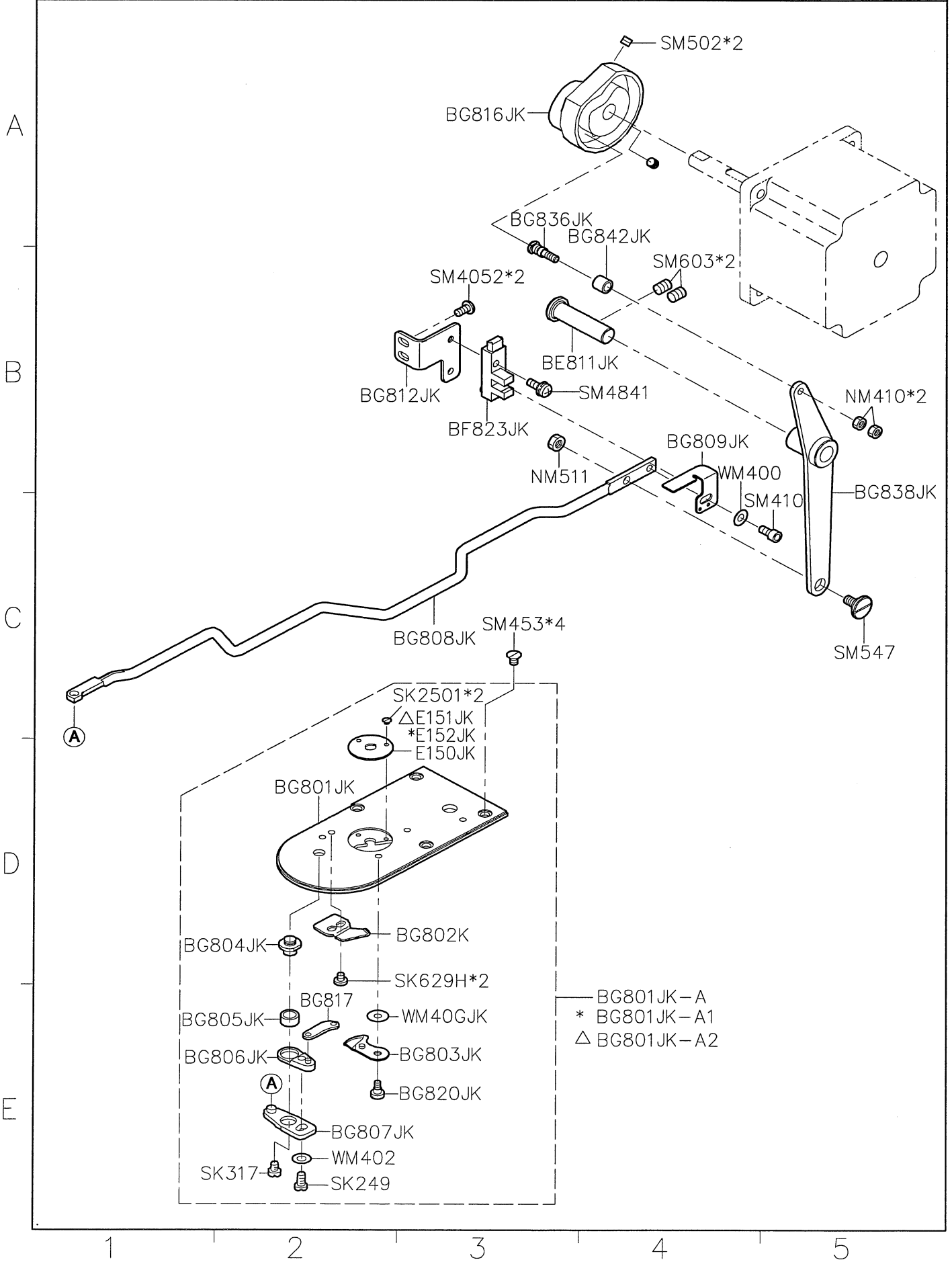
2

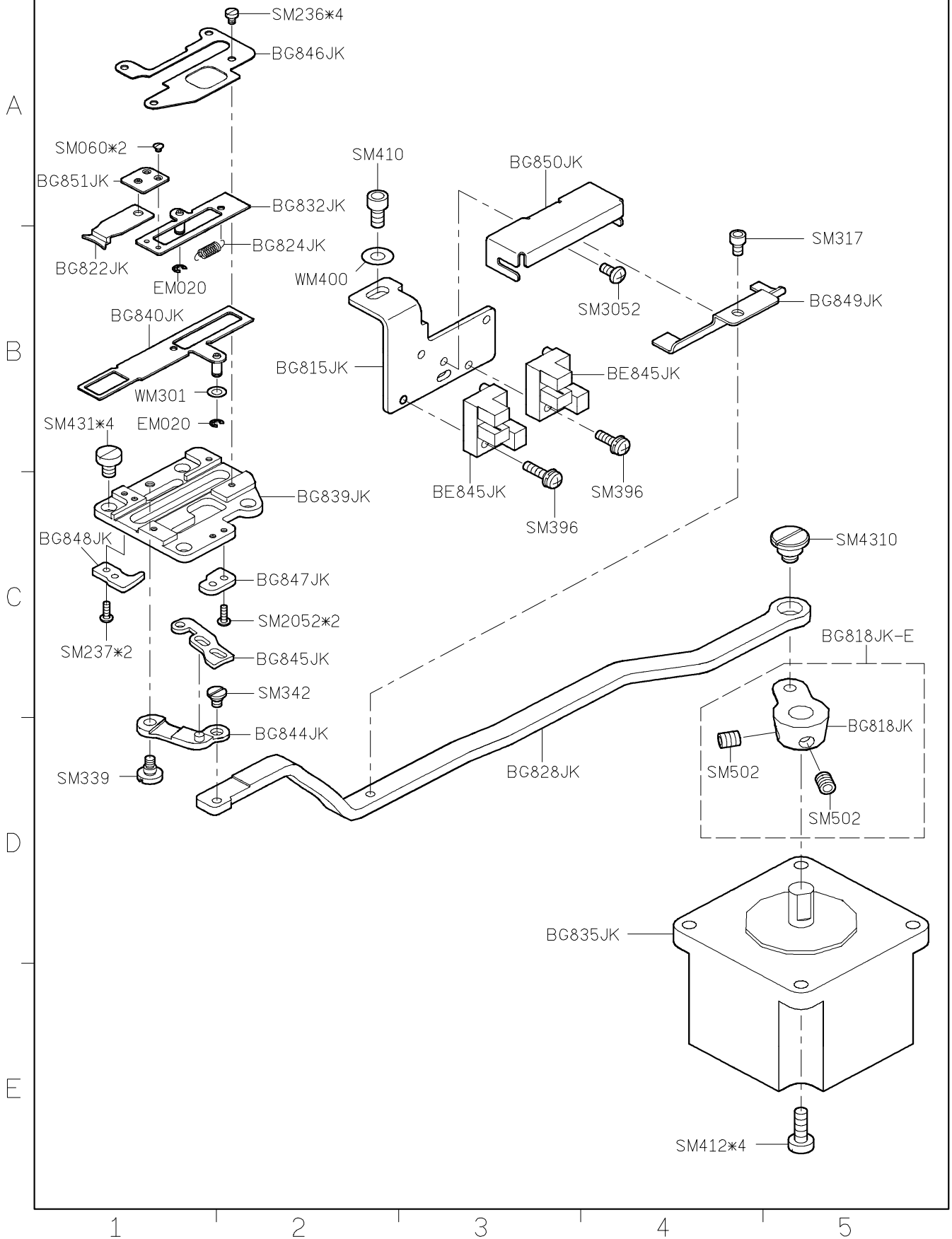
3

4

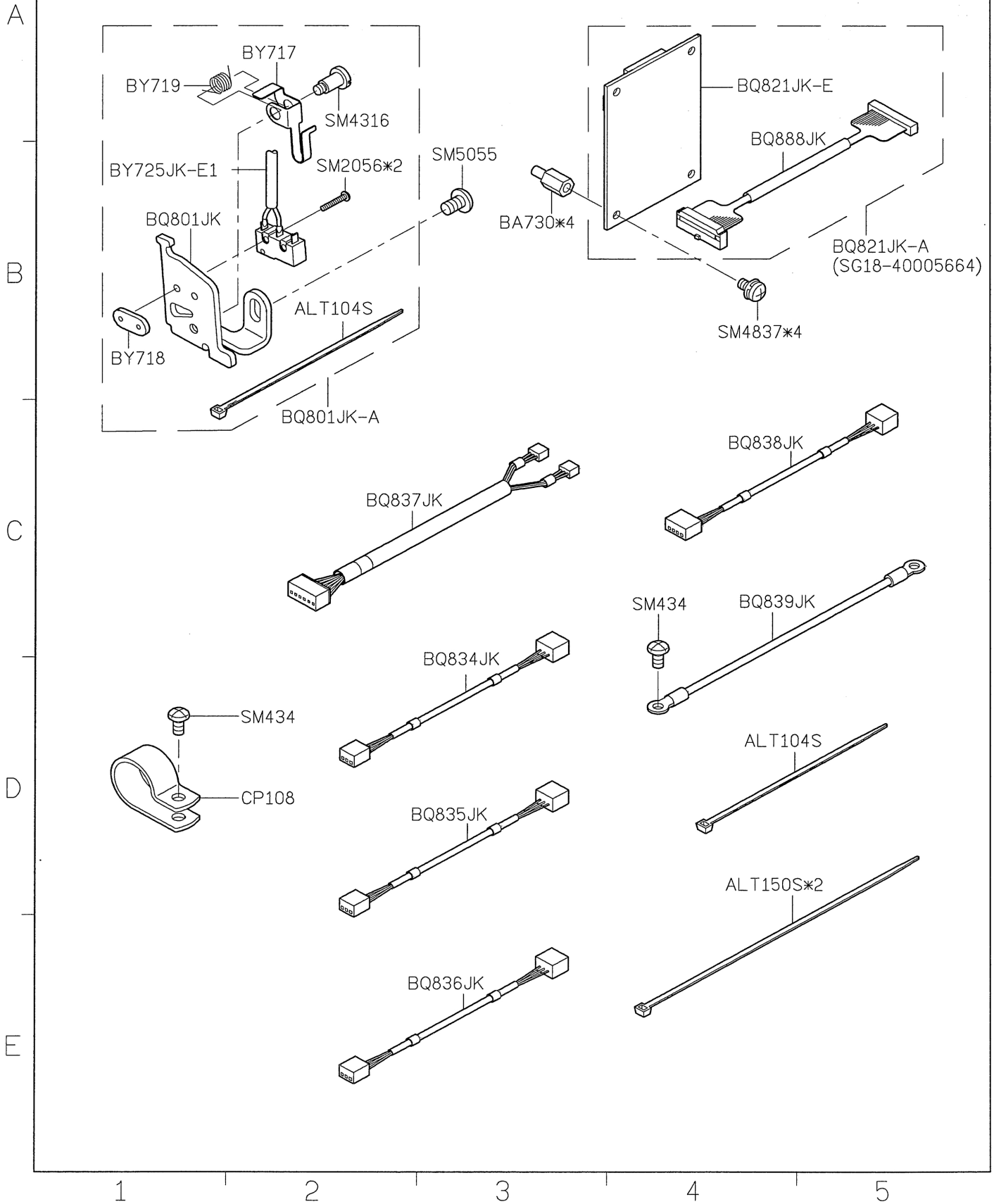
5

SIRUBA PARTS LIST	Series	Parts Group	Subclass / Remark	Page
	LKS-1900AN	BG	Use For * LKS-1900ANHS △ LKS-1900ANFS	1/2 Date 2016/06/02

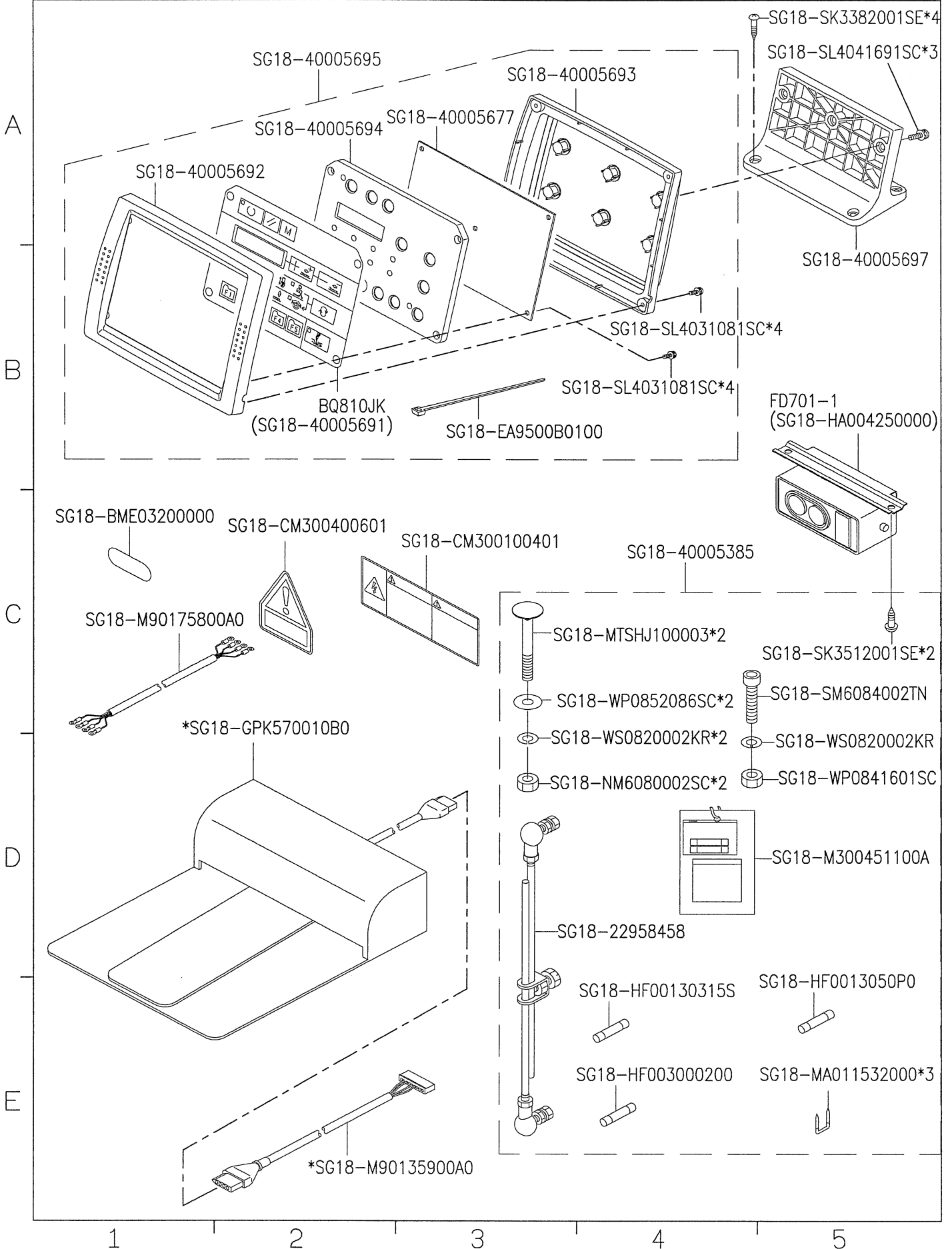




SIRUBA PARTS LIST	Series	Parts Group	Subclass / Remark	Page
	LKS-1900AN	BQ		1/3
				Date
				2016/08/02



SIRUBA PARTS LIST	Series	Parts Group	Subclass / Remark	Page
	LKS-1900AN	BQ	* : 選配	2/3
				Date
				2017/07/25



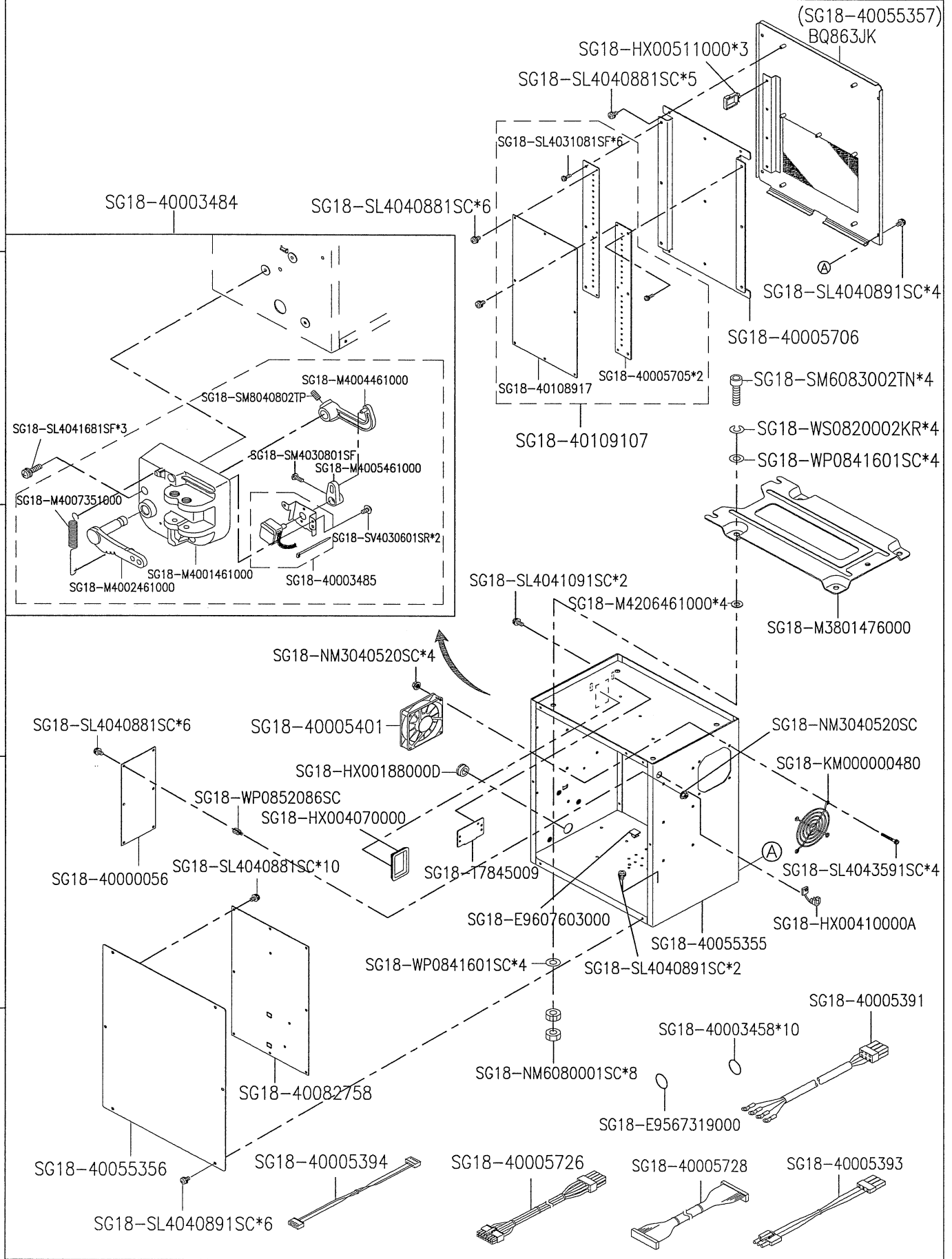
A

B

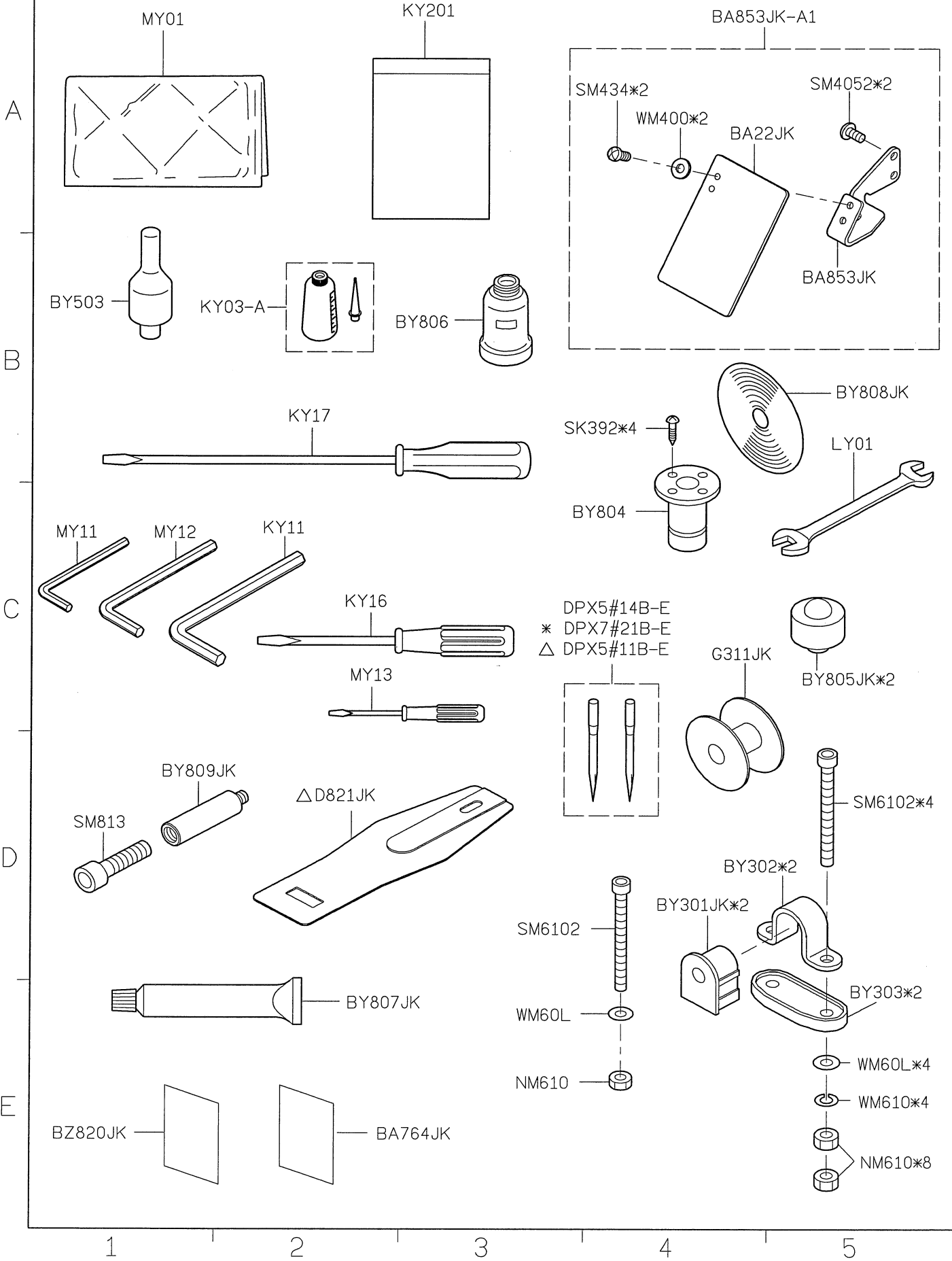
C

D

E



SIRUBA PARTS LIST	Series	Parts Group	Subclass / Remark	Page
	LKS-1900AN	BY	Use For * LKS-1900ANHS △ LKS-1900ANFS	1/1
				Date
				2016/05/16



SIRUBA PARTS LIST	Series	Parts Group	Subclass / Remark	Page
	LKS-1900AN	BZ		1/1
				Date
				2016/02/16

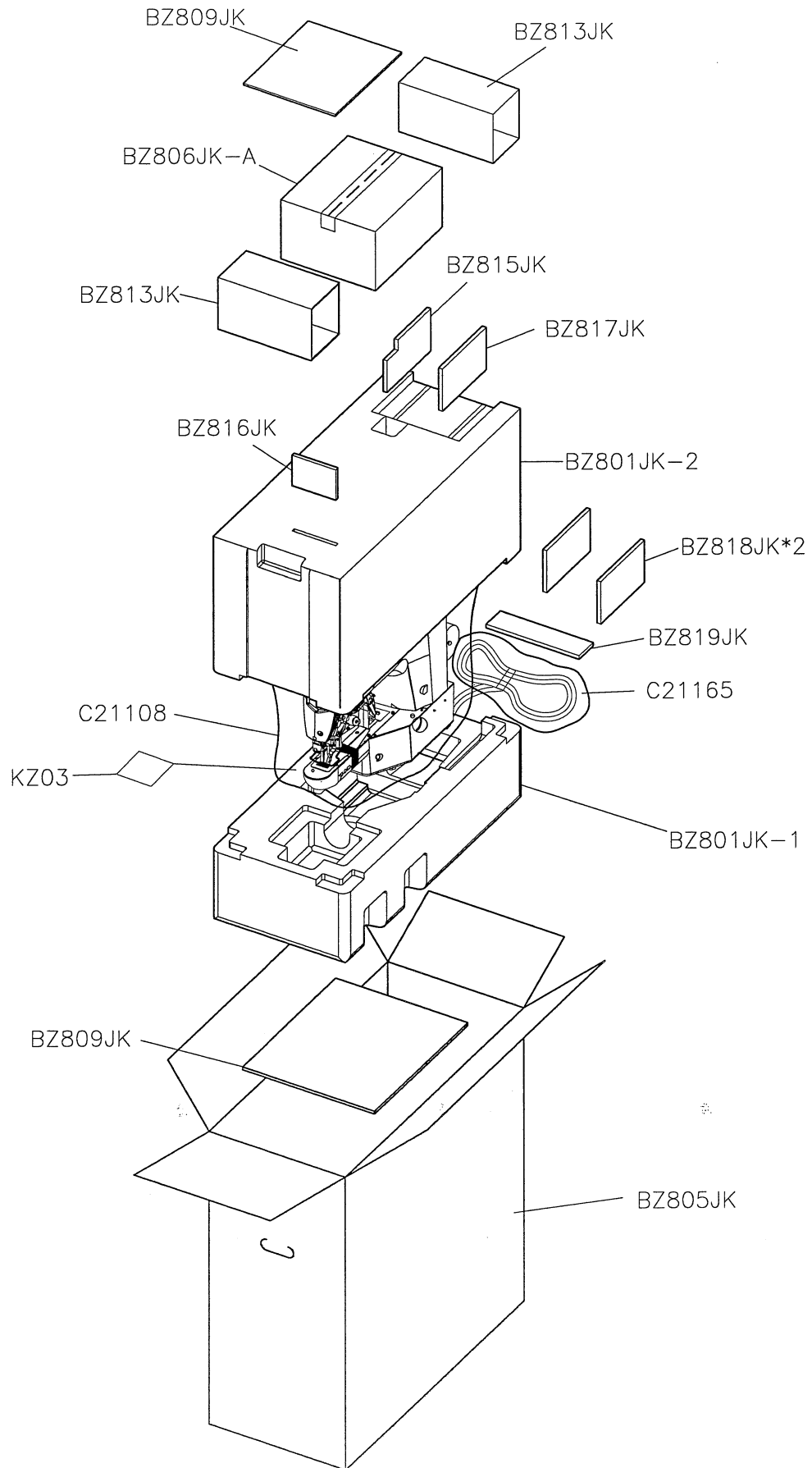
A

B

C

D

E



1

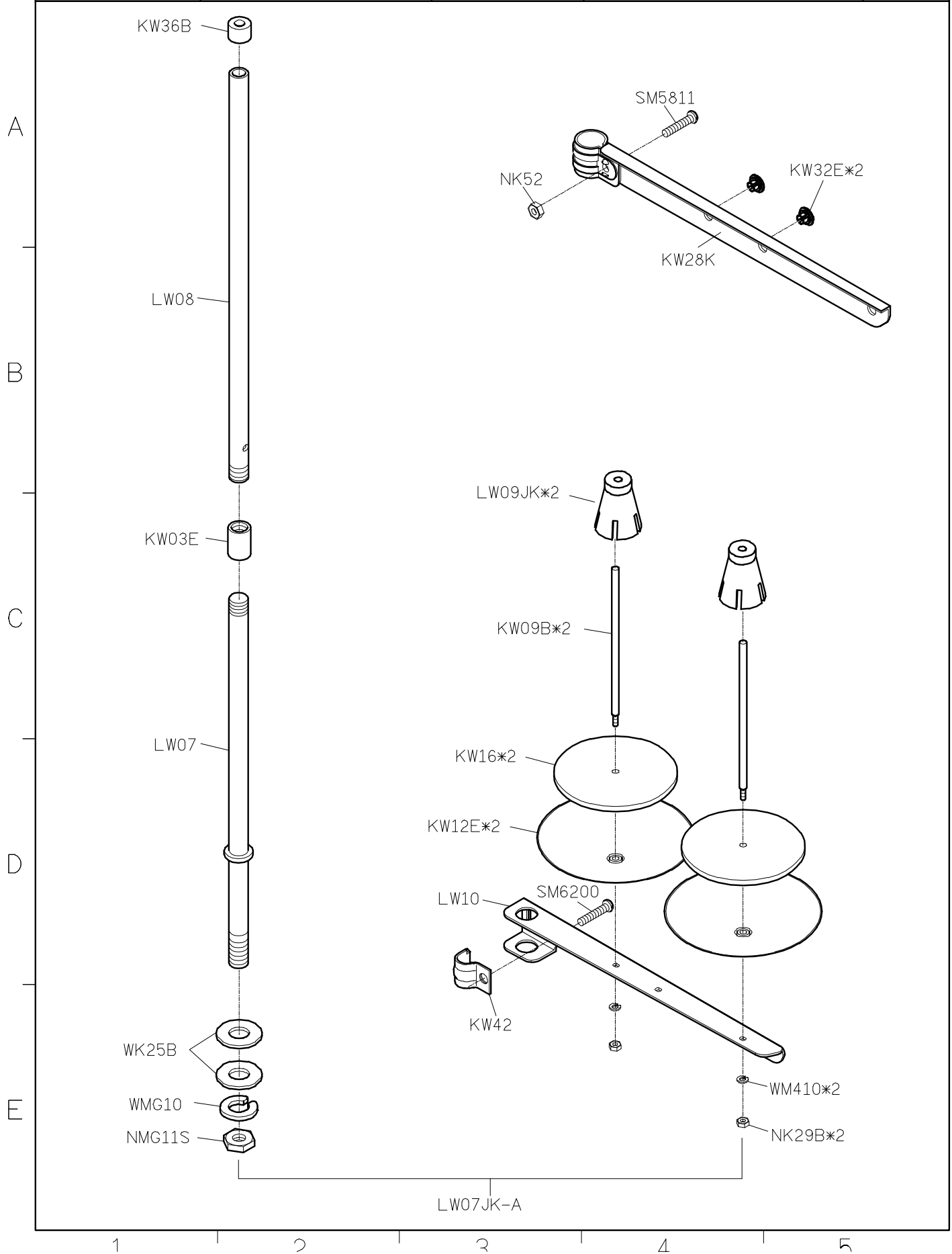
2

3

4

5

SIRUBA PARTS LIST	Series	Parts Group	Subclass / Remark	Page
	LKS-1900AN	LW		1/1
				Date
				2019/11/19



SIRUBA

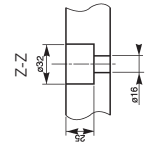
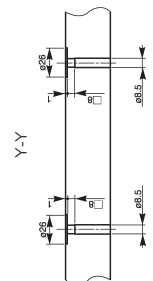
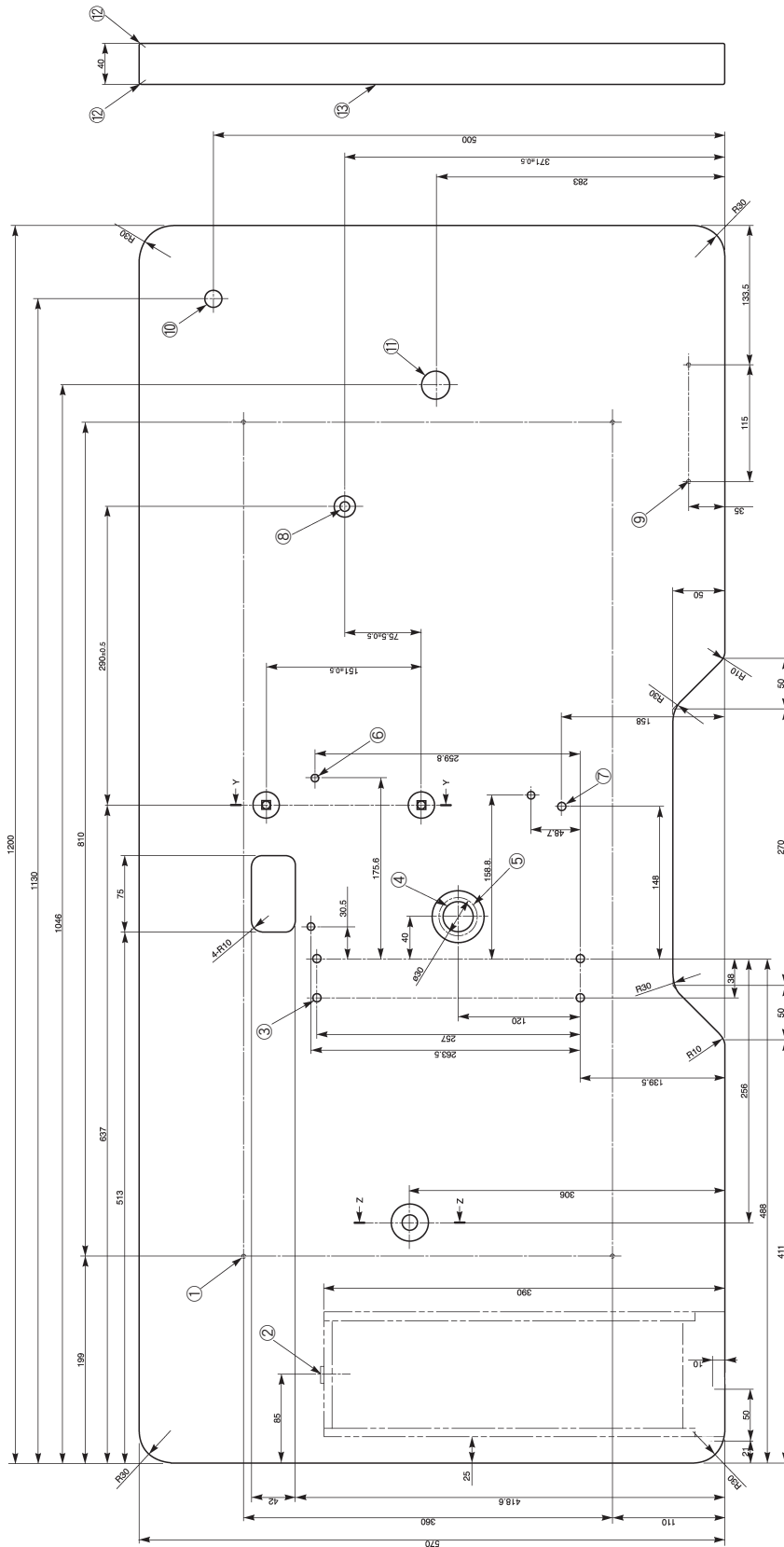
TABLE
CUT - OUT

Series
LKS-1900AN

Item Code
**LKS-1900AN
-T1**

Subclass / Remark

Mounting
Fully-submerged
Date
2015/11/17



- ⑧ 針孔 9× 深度 20 內深 17
- ⑨ 鑽孔 2-2 深度 10 背面 (電源開關安裝孔)
- ⑩ 鑽孔 17
- ⑪ 鑽孔 28
- ⑫ R2 (四周)
- ⑬ 表

- ① 鑽孔 4-2 深度 10 背面 (橫斷安裝孔)
- ② 抽塵機安裝位置 (背面 1 處)
- ③ 鑽孔 4-8
- ④ 鑽孔 30 深度 51 內深 16
- ⑤ 排油漏斗安裝孔
- ⑥ 鑽孔 3-7 深度 6
- ⑦ 鑽孔 8

- ① 4 - drilled hole 2, 10 deep on the rear side (Stand installing hole)
- ② Drawer stopper installing position (One place on the rear side)
- ③ 4 - drilled hole 8
- ④ Drilled hole 30, 51 spot face 16 deep
- ⑤ Oil drain funnel installing hole
- ⑥ 3 - drilled hole 7, 6 deep
- ⑦ Drilled hole 8
- ⑧ Drilled hole 9, 20 spot face 17 deep
- ⑨ 2 - drilled hole 2, 10 deep on the rear side (Power switch installing hole)
- ⑩ Drilled hole 17
- ⑪ Drilled hole 28
- ⑫ R2 (all corners)
- ⑬ Right side

SIRUBA

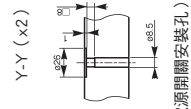
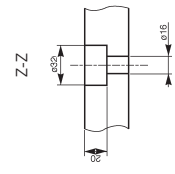
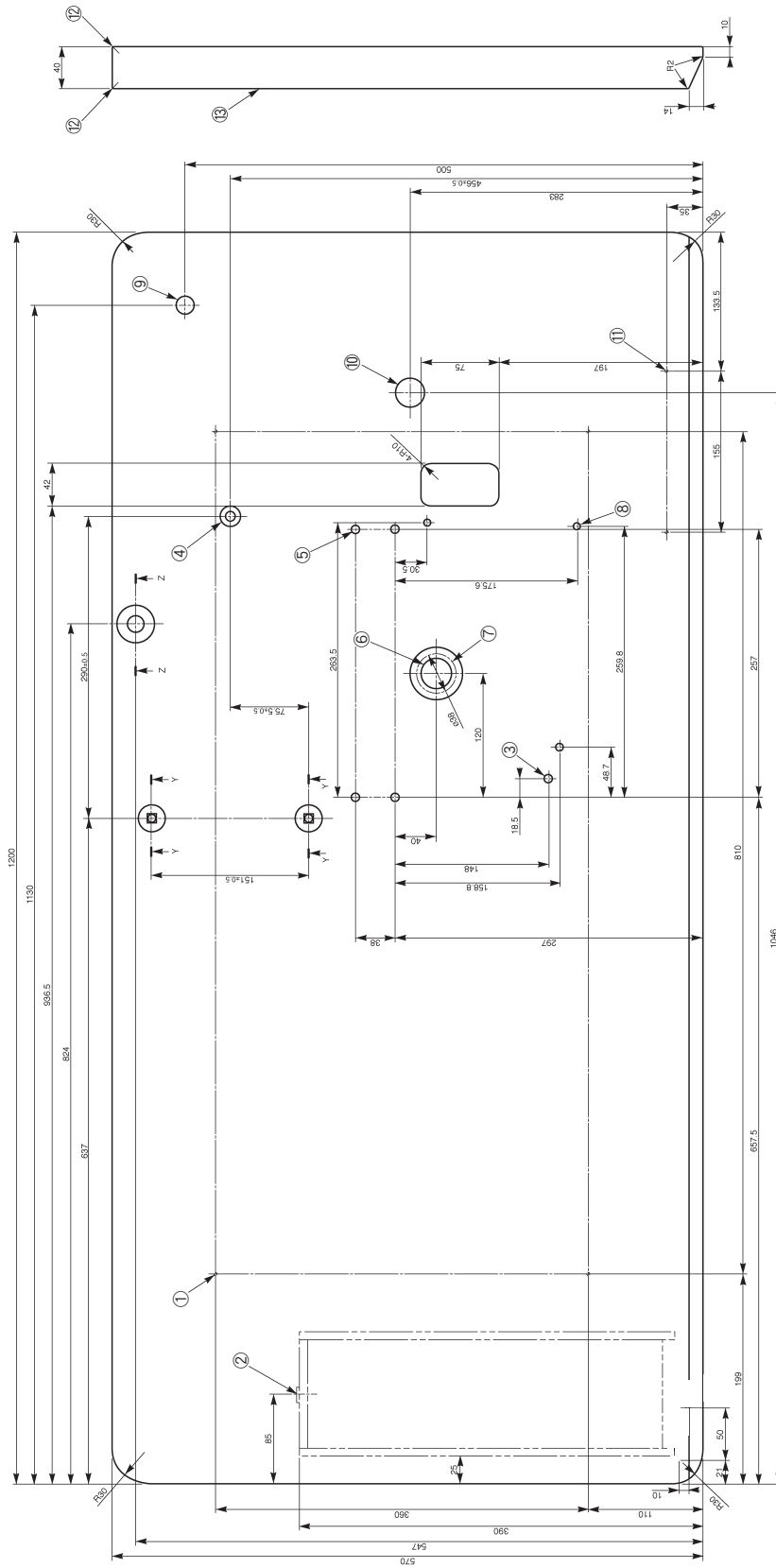
TABLE
CUT - OUT

Series
LKS-1900AN

Item Code
**LKS-1900AN
-T2**

Subclass / Remark

Mounting
Fully-submerged
Date
2015/11/17



- ⑧ 鑽孔 3-7 深度 6
- ⑨ 鑽孔 17
- ⑩ 鑽孔 28
- ⑪ 鑽孔 2-2 深度 10 背面 (電源開關安裝孔)
- ⑫ R2 (四角)
- ⑬ 表

- ① 鑽孔 4-2 深度 10 背面 (線網安裝孔)
- ② 抽屜擋塊安裝位置 (背面 1 處)
- ③ 鑽孔 8
- ④ 斜孔 9× 深度 20 內深 17
- ⑤ 鑽孔 4-8
- ⑥ 鑽孔 30 深度 51 內深 16
- ⑦ 排油漏斗安裝孔
- ⑧ 4- drilled hole 2, 10 deep on the rear side (Stand installing hole)
- ⑨ 3- drilled hole 7, 6 deep
- ⑩ Drawer stopper installing position One place on the rear side
- ⑪ Drilled hole 17
- ⑫ Drilled hole 28
- ⑬ 2- drilled hole 2, 10 deep on the rear side (Power switch installing hole)
- ⑭ 4- drilled hole 8
- ⑮ 4- drilled hole 8
- ⑯ Drilled hole 30, 51 spot face 16 deep
- ⑰ Oil drain funnel installing hole