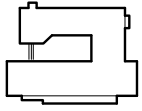
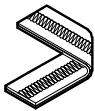
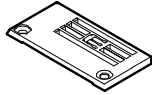
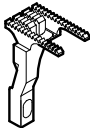
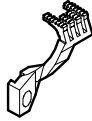
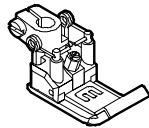
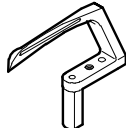


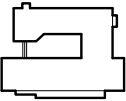

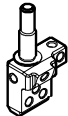
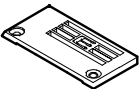
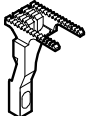
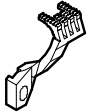
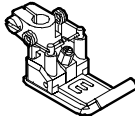
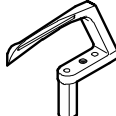


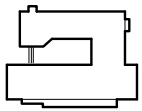
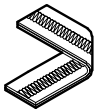
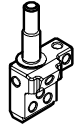
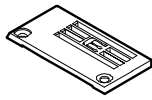
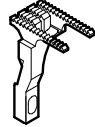
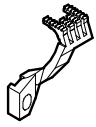
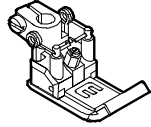
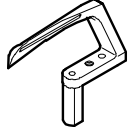


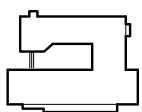
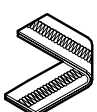
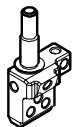
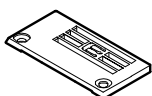
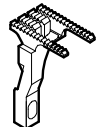
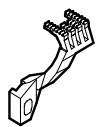
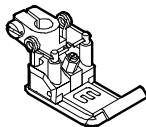
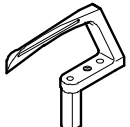




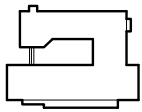
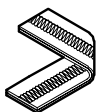
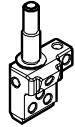
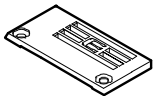

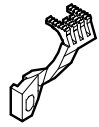
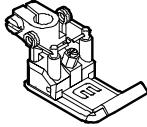



SIRUBA GAGE PARTS LIST		Series				Remark				Page	Date
		F007K/F007KD F858K								1 / 9	2020/8/12
											
MODEL		SUB-CLASS	NEEDLE CLAMP	NEEDLE PLATE	MAIN FEED DOG	DIFF. FEED DOG	PRESSER FOOT	LOOPER	SPREADER	NEEDLE	
機 型		規 格	針 座	針 板	主送具	差送具	壓 具	勾 針	上 叉	使用針	
F007K(KD) F858K(KD)	W121/FHA	240	M5240	E1534	D1206P	H1258	P2544-A	ME28	MH41	UYX128GAS#10	
		248	M5248	E1535			P2545-A				
		356	M5356	E1836	D1207P	H1259	P2446-A				
		364	M5364	E1837			P2447-A				
	W121/FHA/ UTG(UTJ)	240	M5240	E1534	D1206P	H1258	P2544-A	ME28	MH41	UYX128GAS#10	
		248	M5248	E1535			P2545-A				
		356	M5356	E1836	D1207P	H1259	P2446-A				
		364	M5364	E1837			P2447-A				
	U121/FHA	240	M5240	E1534	D1206P	H1258	P2544-A	ME28	—	UYX128GAS#10	
		248	M5248	E1535			P2545-A				
		356	M5356	E1836	D1207P	H1259	P2446-A				
		364	M5364	E1837			P2447-A				
U121/FHA/ UTH(UTK)	240	M5240	E1534	D1206P	H1258	P2544-A	ME28	—	UYX128GAS#10		
	248	M5248	E1535			P2545-A					
	356	M5356	E1836	D1207P	H1259	P2446-A					
	364	M5364	E1837			P2447-A					
W122/FHA	240	M5240	E1524	D1206P	H1258	P2544-A	ME28	MH41	UYX128GAS#10		
	248	M5248	E1525			P2545-A					
	356	M5356	E1826	D1207P	H1259	P2446-A					
	364	M5364	E1827			P2447-A					
W122/FHA/ FL	240	M5240	E1524	D1206P	H1258	P2544-A	ME28	MH41	UYX128GAS#10		
	248	M5248	E1525			P2545-A					
	356	M5356	E1826	D1207P	H1259	P2446-A					
	364	M5364	E1827			P2447-A					


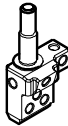
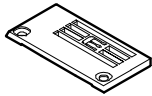
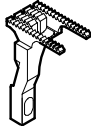

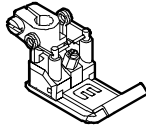
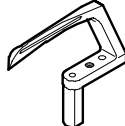


SIRUBA GAGE PARTS LIST		Series			Remark					Page	Date
		F007K/F007KD F858K								2/9	2023/5/5
											
MODEL		SUB-CLASS	NEEDLE CLAMP	NEEDLE PLATE	MAIN FEED DOG	DIFF. FEED DOG	PRESSER FOOT	LOOPER	SPREADER	NEEDLE	
機 型		規 格	針 座	針 板	主送具	差送具	壓 具	勾 針	上 叉	使用針	
F007K(KD) F858K(KD)	W122/FHA/ UTG(UTJ)	240	M5240	E1524	D1206P	H1258	P2544-A	ME28	MH41	UYX128GAS#10	
		248	M5248	E1525			P2545-A				
		U122/FHA	356	M5356	E1826	D1207P	H1259	P2446-A	ME28	—	UYX128GAS#10
			364	M5364	E1827			P2447-A			
		U122/FHA/ UTH(UTK)	240	M5240	E1524	D1206P	H1258	P2544-A	ME28	—	UYX128GAS#10
			248	M5248	E1525			P2545-A			
	W122/FHA-3M	356	M5356	E1826	D1207P	H1259	P2446-A	ME28	MH41	UYX128GAS#10	
		364	M5364	E1827			P2447-A				
	U122/FP	232	M5232K	E1623	D1206P	H1257	P4011-A	ME28	—	TVX5#14	
	W123/FHA	240	M5240	E1514	D1206P	H1258	P2544-A	ME28	MH41	UYX128GAS#10	
		248	M5248	E1515			P2545-A				
		356	M5356	E1816	D1207P	H1259	P2446-A				
		364	M5364	E1817			P2447-A				

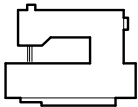
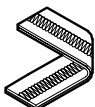
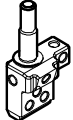
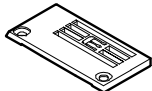
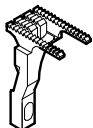

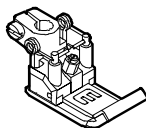





SIRUBA GAGE PARTS LIST		Series				Remark				Page	Date
		F007K/F007KD F858K				W222/FQ/FAC : Use for LONG KNIFE長刀 W222A/FQ/FAC : Use for SHORT KNIFE短刀 W222B/FQ/FAC : Use for MINI SHORT KNIFE超短刀				4/9	2017/9/18
											
MODEL		SUB-CLASS	NEEDLE CLAMP	NEEDLE PLATE	MAIN FEED DOG	DIFF. FEED DOG	PRESSER FOOT	LOOPER	SPREADER	NEEDLE	
機 型		規 格	針 座	針 板	主送具	差送具	壓 具	勾 針	上 叉	使用針	
F007K(KD) F858K(KD)	W222/FQ/ UTG(UTJ)	240 248 356 364	M5240 M5248 M5356 M5364	E3024 E3025 E3326 E3327	D1215 D1215 D1216 D1216	H1261 H1261 H1262 H1262	P1814K-A P1815K-A P2116K-A P2117K-A	ME28	MH41	UYX128GAS#10	
	U222/FQ/ UTH(UTK)	240 248 356 364	M5240 M5248 M5356 M5364	E3024 E3025 E3326 E3327	D1215 D1215 D1216 D1216	H1261 H1261 H1262 H1262	P2314K-A P2315K-A P2616K-A P2617K-A	ME28	—	UYX128GAS#10	
	W222/FQ/ FAC(FEC)	240 248 356 364	M5240 M5248 M5356 M5364	E3024 E3025 E3326 E3327	D1215 D1215 D1216 D1216	H1261 H1261 H1262 H1262	P1814K-A P1815K-A P2116K-A P2117K-A	ME28	MH41	UYX128GAS#10	
	W222A/FQ/FAC	240 248 356 364	M5240 M5248 M5356 M5364	E3024 E3025 E3326 E3327	D1215 D1215 D1216 D1216	H1261 H1261 H1262 H1262	P1814K-A P1815K-A P2116K-A P2117K-A	ME28	MH41	UYX128GAS#10	
	W222B/FQ/FAC	240 248 356 364	M5240 M5248 M5356 M5364	E3124 E3125 E3426 E3427	D1315 D1315 D1316 D1316	H1261 H1261 H1262 H1262	P1914-A P1915-A P2216-A P2217-A	ME28	MH41	UYX128GAS#10	
F007K F858K	W222 /FFD(FFP)	240 248 356 364	M5240 M5248 M5356 M5364	E3024 E3025 E3326 E3327	D1215 D1215 D1216 D1216	H1261 H1261 H1262 H1262	P1814K-A P1815K-A P2116K-A P2117K-A	ME28	MH41	UYX128GAS#10	

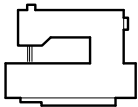
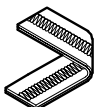
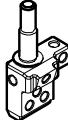
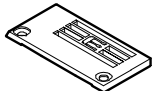
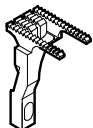

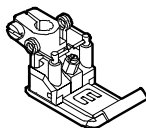



SIRUBA MODEL COMPARE LIST		Series				Remark				Page	Date
		F007K/F007KD F858K								5 / 9	2020/8/12
											
MODEL		SUB-CLASS	NEEDLE CLAMP	NEEDLE PLATE	MAIN FEED DOG	DIFF. FEED DOG	PRESSER FOOT	LOOPER	SPREADER	NEEDLE	
機 型		規 格	針 座	針 板	主送具	差送具	壓 具	勾 針	上 叉	使用針	
F007K F858K	U222 /FFD(FFP)	240 248 356 364	M5240 M5248 M5356 M5364	E3024 E3025 E3326 E3327	D1215 D1215 D1216 D1216	H1261 H1261 H1262 H1262	P2314K-A P2315K-A P2616K-A P2617K-A	ME28	—	UYX128GAS#10	
	W222/FFD/ FAC(FEC)	240 248 356 364	M5240 M5248 M5356 M5364	E3024 E3025 E3326 E3327	D1215 D1215 D1216 D1216	H1261 H1261 H1262 H1262	P1814K-A P1815K-A P2116K-A P2117K-A	ME28	MH41	UYX128GAS#10	
	U222/FFD/ FAC(FEC)	240 248 356 364	M5240 M5248 M5356 M5364	E3024 E3025 E3326 E3327	D1215 D1215 D1216 D1216	H1261 H1261 H1262 H1262	P2314K-A P2315K-A P2616K-A P2617K-A	ME28	—	UYX128GAS#10	
	W222/FSM	240-4 248-4 364-4	M5240P M5248P M5364P	E3724 E3725 E3727	D1516	H1262	P2714-A P2715-A P2717-A	ME28	MH41	UYX128GAS#10	
F007K(KD) F858K(KD)	W322/FDC	356 364	M5356 M5364	E4826KA E4827KA	D1207P	H1359K	P2446-A P2447-A	ME28	MH41	UYX128GAS#10	
	W322/FDC/ UTG(UTJ)	356 364	M5356 M5364	E4826KA E4827KA	D1207P	H1359K	P2446-A P2447-A	ME28	MH41	UYX128GAS#10	
	U322/FDC	356 364	M5356 M5364	E4826KA E4827KA	D1207P	H1359K	P2446-A P2447-A	ME28	—	UYX128GAS#10	
	U322/FDC/ UTH(UTK)	356 364	M5356 M5364	E4826KA E4827KA	D1207P	H1359K	P2446-A P2447-A	ME28	—	UYX128GAS#10	

SIRUBA GAGE PARTS LIST		Series				Remark				Page	Date
		F007K/F007KD F858K								6/9	2020/8/12
											
MODEL		SUB-CLASS	NEEDLE CLAMP	NEEDLE PLATE	MAIN FEED DOG	DIFF. FEED DOG	PRESSER FOOT	LOOPER	SPREADER	NEEDLE	
機 型		規 格	針 座	針 板	主送具	差送具	壓 具	勾 針	上 叉	使用針	
F007K(KD) F858K(KD)	W322/FDE	356 364	M5356 M5364	E4836K E4837K	D1207P	H1459-E	P2446-A P2447-A	ME28	MH41	UYX128GAS#10	
	W322/FDE/ UTG(UTJ)	356 364	M5356 M5364	E4836K E4837K	D1207P	H1459-E	P2446-A P2447-A	ME28	MH41	UYX128GAS#10	
	U322/FDE	356 364	M5356 M5364	E4836K E4837K	D1207P	H1459-E	P2446-A P2447-A	ME28	—	UYX128GAS#10	
	U322/FDE/ UTH(UTK)	356 364	M5356 M5364	E4836K E4837K	D1207P	H1459-E	P2446-A P2447-A	ME28	—	UYX128GAS#10	

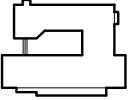


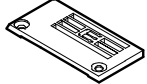

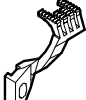

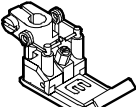



SIRUBA GAGE PARTS LIST		Series				Remark				Page	Date
		F007K/F007KD F858K								7/9	2017/9/18
											
MODEL		SUB-CLASS	NEEDLE CLAMP	NEEDLE PLATE	MAIN FEED DOG	DIFF. FEED DOG	PRESSER FOOT	LOOPER	SPREADER	NEEDLE	
機 型		規 格	針 座	針 板	主送具	差送具	壓 具	勾 針	上 叉	使用針	
F007K(KD) F858K(KD)	W522/FR	232	M5232	E6023	D2221	H2267K	P2813K-A1	ME28	MH41	UYX128GAS#10	
		240	M5240	E6024	D2221	H2267K	P2814K-A1				
		248	M5248	E6025	D2221	H2267K	P2815K-A1				
		356	M5356	E6326	D2222	H2268K	P3116K-A1				
		364	M5364	E6327	D2222	H2268K	P3117K-A1				
F007K F858K	W522/FR/ FFC(FE)	232	M5232	E6023	D2221	H2267K	P2813K-A1	ME28	MH41	UYX128GAS#10	
		240	M5240	E6024	D2221	H2267K	P2814K-A1				
		248	M5248	E6025	D2221	H2267K	P2815K-A1				
		356	M5356	E6326	D2222	H2268K	P3116K-A1				
		364	M5364	E6327	D2222	H2268K	P3117K-A1				
F007K(KD) F858K(KD)	U522/FR	240	M5240	E6024	D2221	H2267K	P2814K-A1	ME28	—	UYX128GAS#10	
		248	M5248	E6025	D2221	H2267K	P2815K-A1				
		356	M5356	E6326	D2222	H2268K	P3116K-A1				
		364	M5364	E6327	D2222	H2268K	P3117K-A1				
F007K F858K	U522/FR/ FFC(FE)	240	M5240	E6024	D2221	H2267K	P2814K-A1	ME28	—	UYX128GAS#10	
		248	M5248	E6025	D2221	H2267K	P2815K-A1				
		356	M5356	E6326	D2222	H2268K	P3116K-A1				
		364	M5364	E6327	D2222	H2268K	P3117K-A1				
	W522/FR/ FFC/ FAC(FEC)	240	M5240	E6024	D2221	H2267K	P2814K-A1	ME28	MH41	UYX128GAS#10	
		248	M5248	E6025	D2221	H2267K	P2815K-A1				
		356	M5356	E6326	D2222	H2268K	P3116K-A1				
		364	M5364	E6327	D2222	H2268K	P3117K-A1				
F007K(KD) F858K(KD)	U613/FBP	256	M5356	E1836L	D1207P	H1259	P4000-A P4001-A	ME28	—	TVX5#14~18	
		264	M5364	E1837L							

SIRUBA GAGE PARTS LIST		Series				Remark				Page	Date
		F007K/F007KD F858K								8/9	2017/9/18
											
MODEL		SUB-CLASS	NEEDLE CLAMP	NEEDLE PLATE	MAIN FEED DOG	DIFF. FEED DOG	PRESSER FOOT	LOOPER	SPREADER	NEEDLE	
機 型		規 格	針 座	針 板	主送具	差送具	壓 具	勾 針	上 叉	使用針	
F007K(KD) F858K(KD)	U712	264	M5264	E5827	D5207	H5259	P4117-A	FS03/04	—	DVX43#11~16	
	U712/FSS	496 4111	M5496 M5411	E5496 E5411	D5411	H5411	P5120-A1 P5121-A1	FS03/04	—	UYX128GAS#10	
	U712/FSP	264	M5264	E5827	D5207	H5259	P5117-A (成品寬10mm用)	FS03/04	—	DVX43#11~16	
	U712/FSP/ FEC	264	M5264	E5827	D5207	H5259	P5117-A (成品寬10mm用)	FS03/04	—	DVX43#11~16	
	U712/FSR	264	M5264	E5927	D5307	H5359	P4217-A	FS03/04	—	DVX43#12~14	
	U712A/FSR	264	M5264	E5827	D5207	H5259	P5118-A (成品寬12mm用)	FS03/04	—	DVX43#11~16	

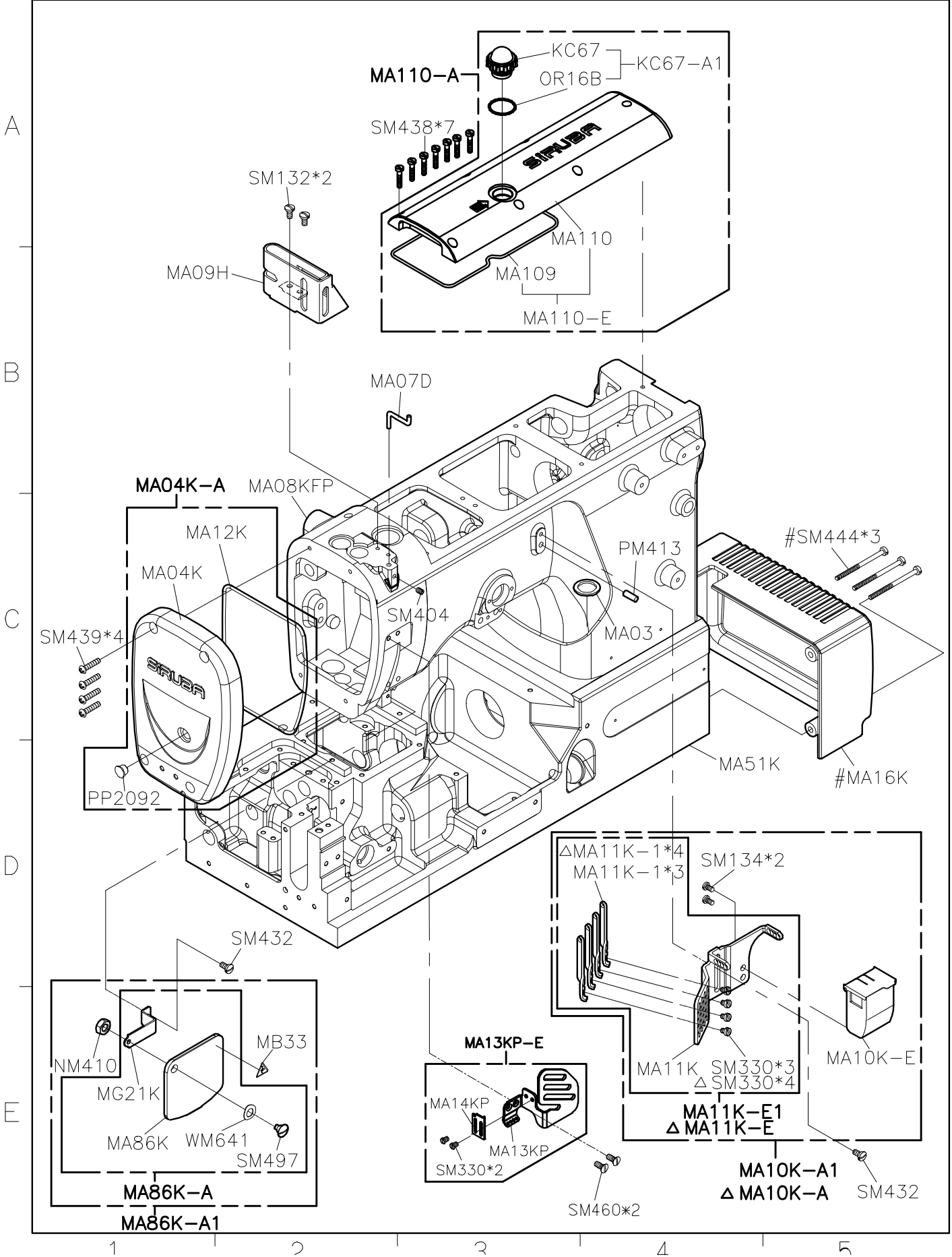


SIRUBA GAGE PARTS LIST		Series				Remark				Page	Date
		F007K/F007KD F858K								9/9	2017/9/18
											
MODEL		SUB-CLASS	NEEDLE CLAMP	NEEDLE PLATE	MAIN FEED DOG	DIFF. FEED DOG	PRESSER FOOT	LOOPER	SPREADER	NEEDLE	
機 型		規 格	針 座	針 板	主送具	差送具	壓 具	勾 針	上 叉	使用針	
F007K(KD) F858K(KD)	W722/FY	388	M4388	E6828	D6207	H6259	P6117-A	FS03/04 /FY02	MH41	TV*7#12	
	W522/FR FQS	232 240 248	M5232 M5240 M5248	E6023R E6024R E6025R	D2221	H2267R	P1813R-A P1814R-A P1815R-A	ME28	MH41	UYX128GAS#10	
	W922/ FW(FWP)-5	456 460 464	M5456K M5460K M5464K	E1828Q E1838Q E1848Q	D1207Q	H1259Q	P2428K-A P2438K-A P2448K-A	FW28D	MH41	SM1014B#10 (MY1014B#70, SY7256)	
	W922/ FW(FWP)-4	456 460 464	M5456K M5460K M5464K	E1828 E1838PA E1848	D1207P	H1259	P2428P-A P2438P-A P2448P-A	FW28D	MH41	SM1014B#16	
	W922/ FW(FWP)-5/ UTG(UTJ)	456 460 464	M5456K M5460K M5464K	E1828Q E1838Q E1848Q	D1207Q	H1259Q	P2428K-A P2438K-A P2448K-A	FW28D	MH41	SM1014B#10 (MY1014B#70, SY7256)	
	W922/ FW(FWP)-4/ UTG(UTJ)	456 460 464	M5456K M5460K M5464K	E1828 E1838PA E1848	D1207P	H1259	P2428P-A P2438P-A P2448P-A	FW28D	MH41	SM1014B#16	

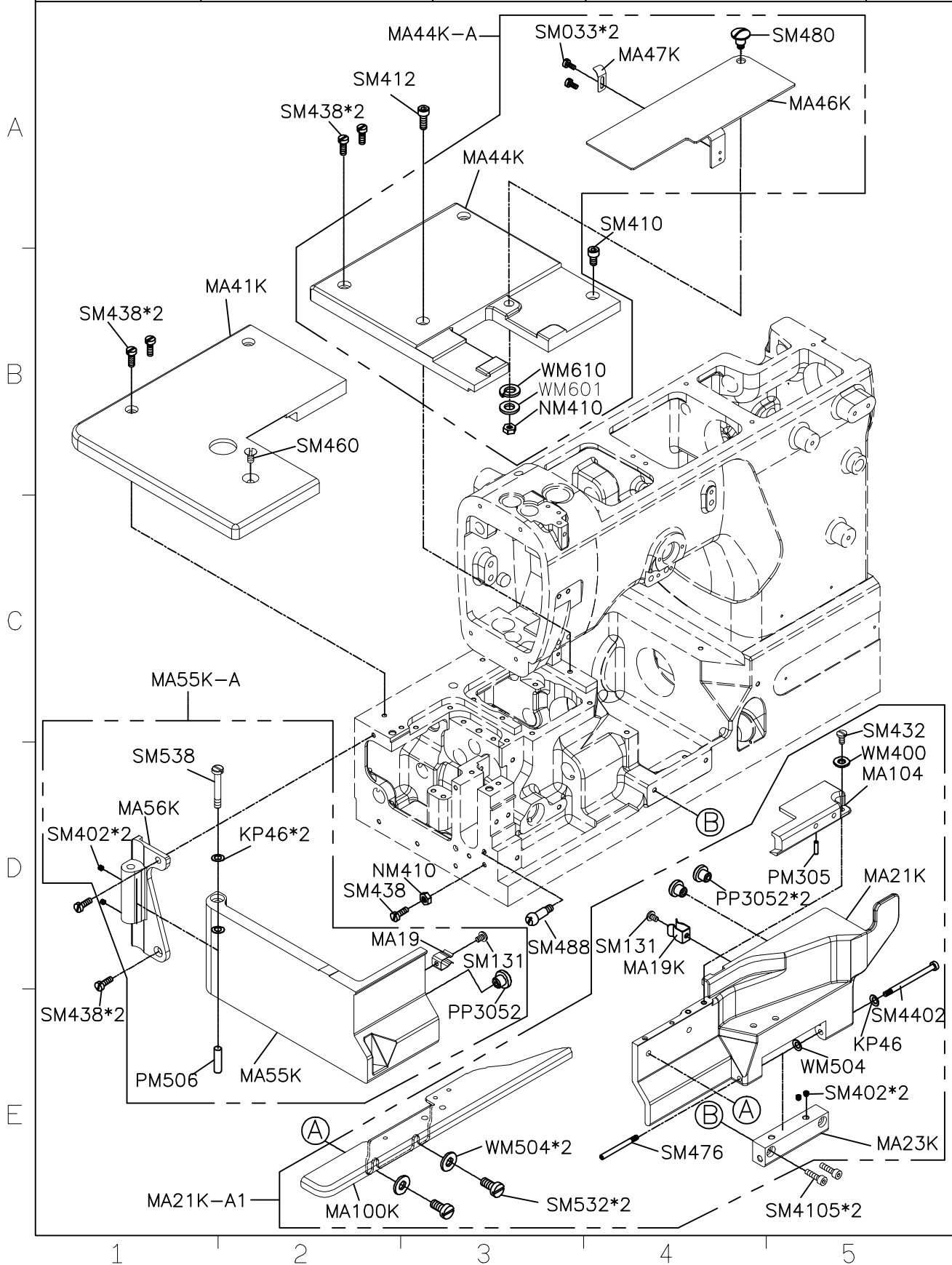


SIRUBA GAGE PARTS LIST		Series			Remark						Page	Date
		F007KD			USE FOR FFT						2/2	2023/1/10
												
MODEL	SUB-CLASS	NEEDLE CLAMP	NEEDLE PLATE	MAIN FEED DOG	DIFF. FEED DOG	TOP FEED DOG	PRESSER FOOT	LOOPER	SPREADER	NEEDLE		
機 型	規 格	針 座	針 板	主送具	差送具	上送具	壓 具	勾 針	上 叉	使用針		
W131/FFT/FHA	240	M5240	E7240FL	D7240F	H7240F	F7240F	P7240F-A	ME28	MH41	UYX128GAS#10		
	248	M5248	E7248FL				P7248F-A					
	356	M5356	E7356FL	D7356F	H7356F	F7356F	P7356F-A					
	364	M5364	E7364FL				P7364F-A					
W131/FFT/FHA /UTG(UTJ)	240	M5240	E7240FL	D7240F	H7240F	F7240F	P7240F-A	ME28	MH41	UYX128GAS#10		
	248	M5248	E7248FL				P7248F-A					
	356	M5356	E7356FL	D7356F	H7356F	F7356F	P7356F-A					
	364	M5364	E7364FL				P7364F-A					
W132/FFT/FHA	240	M5240	E7240FM	D7240F	H7240F	F7240F	P7240F-A	ME28	MH41	UYX128GAS#10		
	248	M5248	E7248FM				P7248F-A					
	356	M5356	E7356FM	D7356F	H7356F	F7356F	P7356F-A					
	364	M5364	E7364FM				P7364F-A					
W132/FFT/FHA /UTG(UTJ)	240	M5240	E7240FM	D7240F	H7240F	F7240F	P7240F-A	ME28	MH41	UYX128GAS#10		
	248	M5248	E7248FM				P7248F-A					
	356	M5356	E7356FM	D7356F	H7356F	F7356F	P7356F-A					
	364	M5364	E7364FM				P7364F-A					
W222/FFT/FQ	356	M5356	E7356GM	D7356G	H1262	F7356G	P7356G-A	ME28	MH41	UYX128GAS#10		
	364	M5364	E7364GM				P7364G-A					

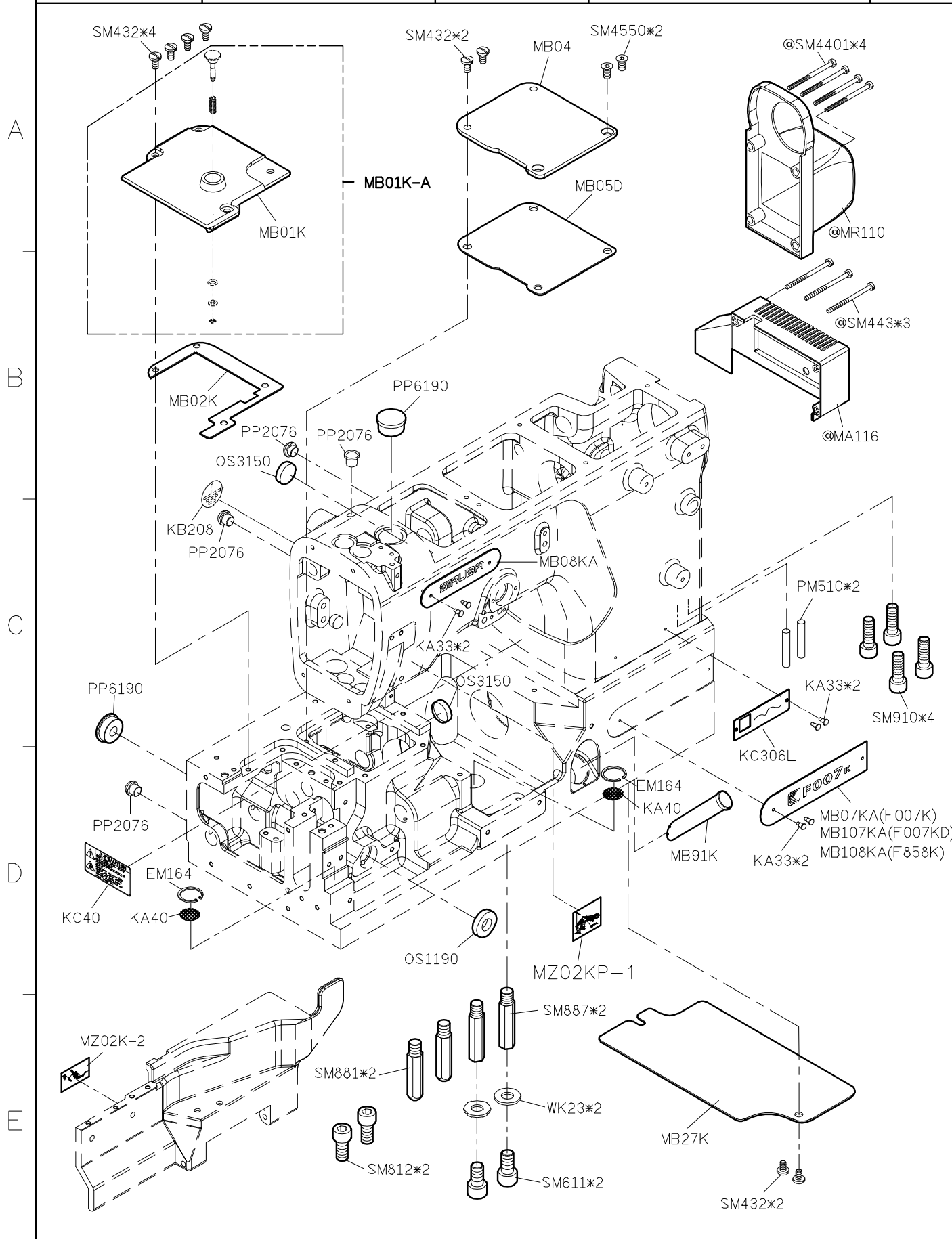
SIRUBA PARTS LIST	Series	Parts Group	Subclass / Remark	Page
	F007K/F007KD	MA-K	# :Use for F007K/F858K △ :Use for FW/FWP/FSM	1/2
				Date
				2024/7/30



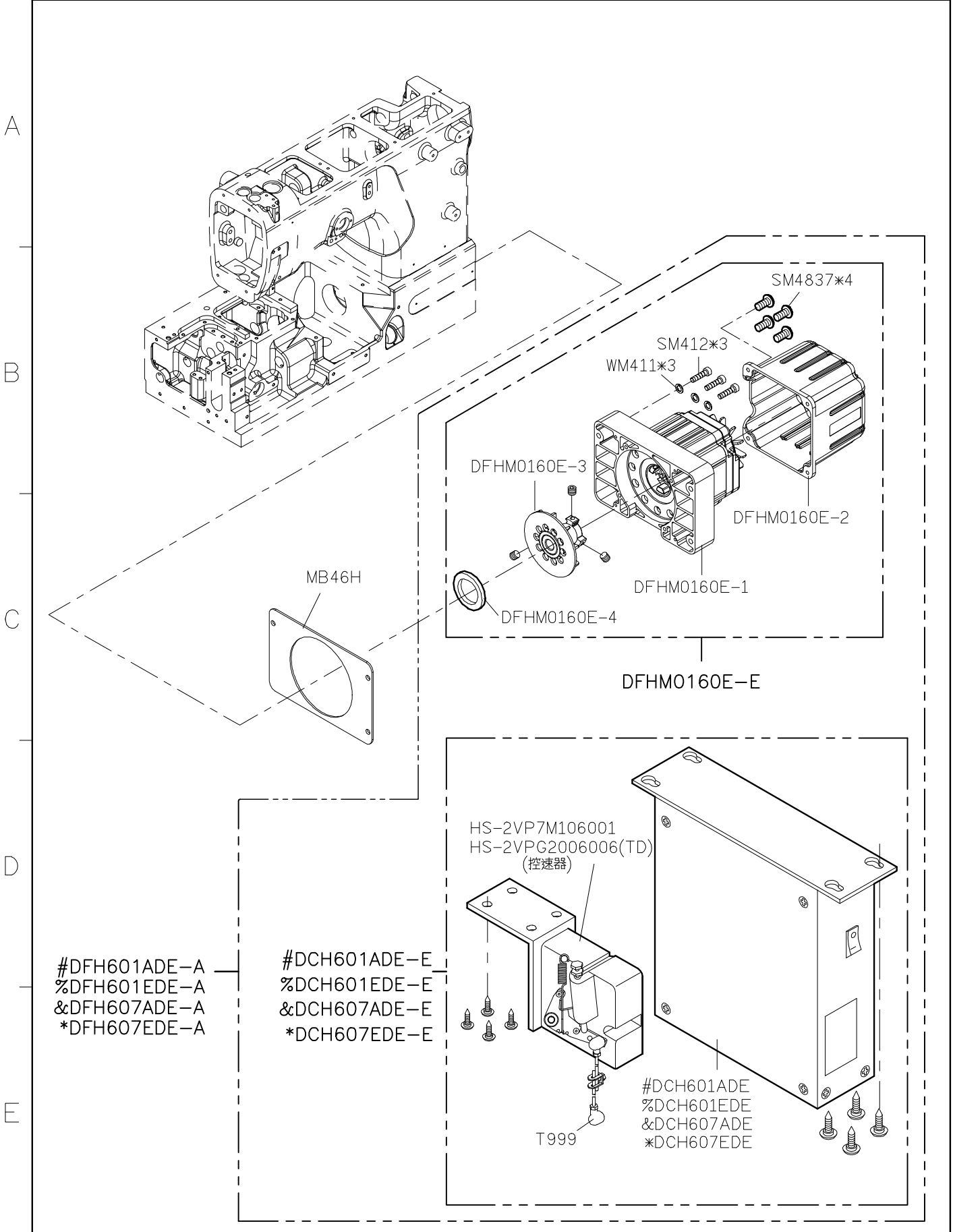
<b>SIRUBA</b>  <b>PARTS LIST</b>	<b>Series</b>	<b>Parts Group</b>	<b>Subclass / Remark</b>	<b>Page</b>
	<b>F007K/F007KD</b>	<b>MA-K</b>		<b>2/2</b>
				<b>Date</b>
				<b>2024/05/15</b>



SIRUBA PARTS LIST	Series	Parts Group	Subclass / Remark	Page
	F007K/F007KD F858K/F858KD	<b>MB-K</b>	@ For F858KD	1/7
				Date
				2024/1/4



SIRUBA PARTS LIST	Series	Parts Group	Subclass / Remark	Page
	F007KD	MB-K	For Direct-Drive Motor (H牌)	2/7
			#For Pneumatic Automatic	Date
			%For Electric Automatic &For Pneumatic Automatic(TD) *For Electric Automatic(TD)	2024/1/4



#DFH601ADE-A  
%DFH601EDE-A  
&DFH607ADE-A  
\*DFH607EDE-A

#DCH601ADE-E  
%DCH601EDE-E  
&DCH607ADE-E  
\*DCH607EDE-E

#DCH601ADE  
%DCH601EDE  
&DCH607ADE  
\*DCH607EDE

1

2

3

4

5

料號	BOM
DFTM0160E-2-E1	DFTM0160E-2*1 SM4846*4 WM411*3 SM412*3

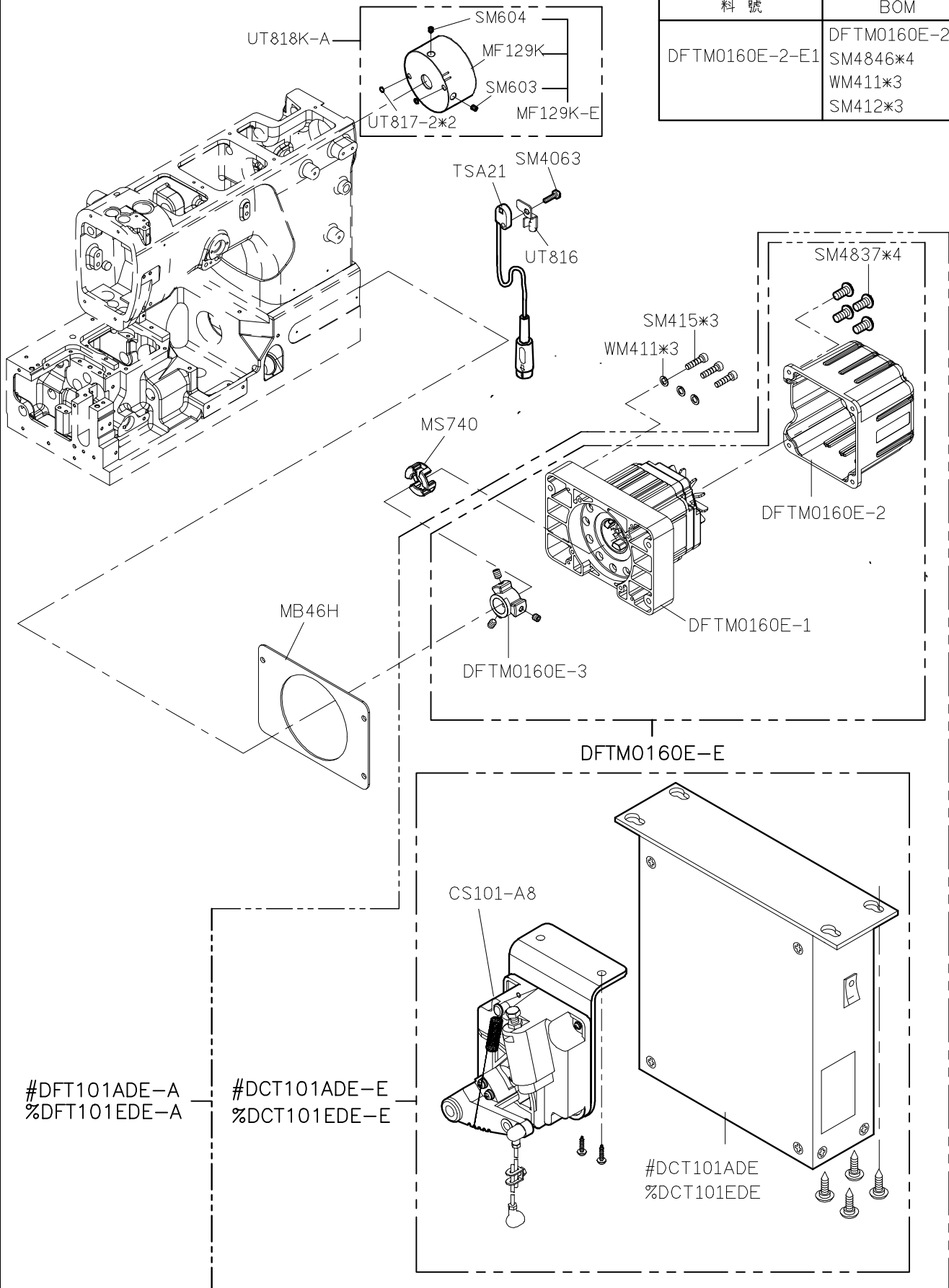
A

B

C

D

E



#DFT101ADE-A  
%DFT101EDE-A

#DCT101ADE-E  
%DCT101EDE-E

#DCT101ADE  
%DCT101EDE

1

2

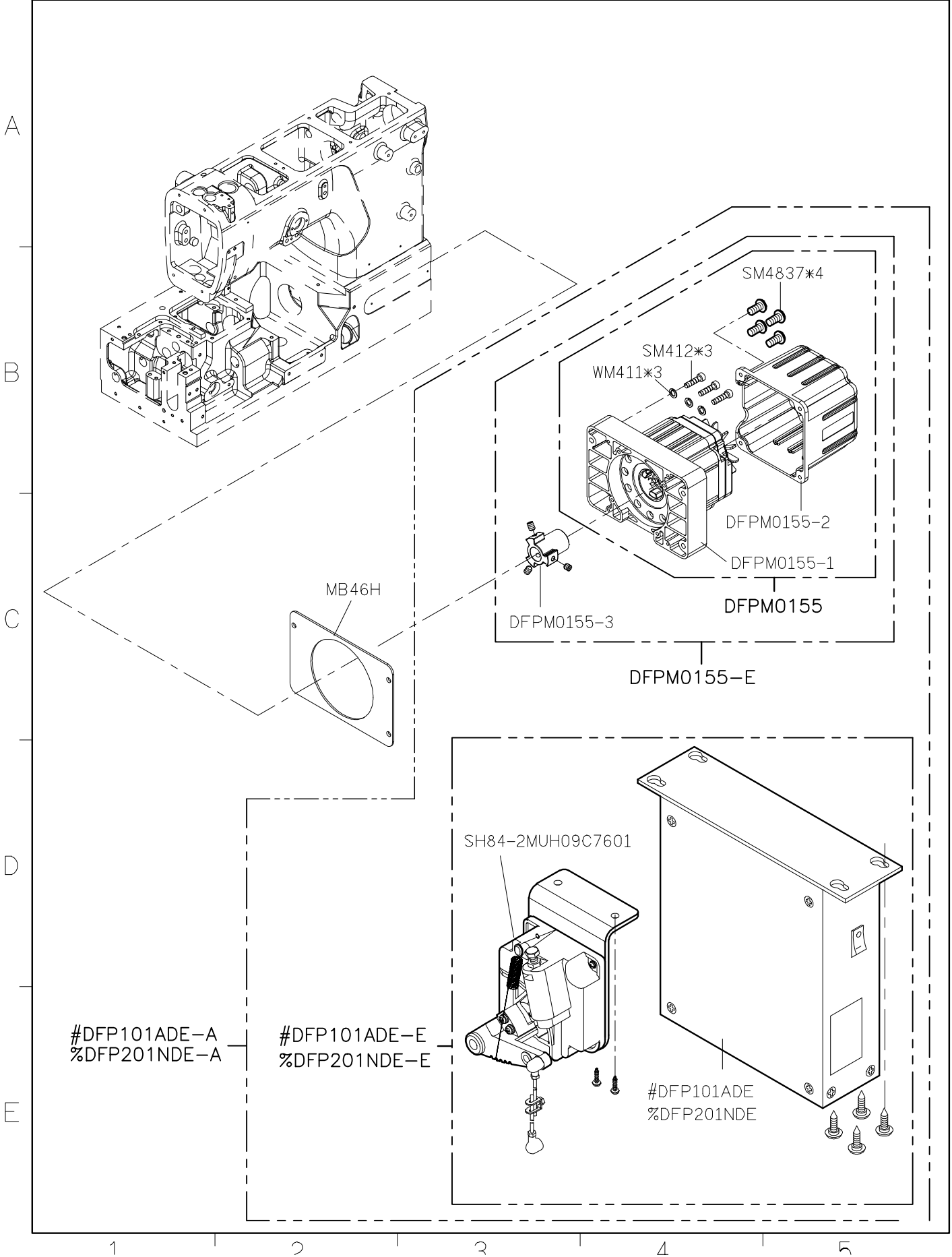
3

4

5

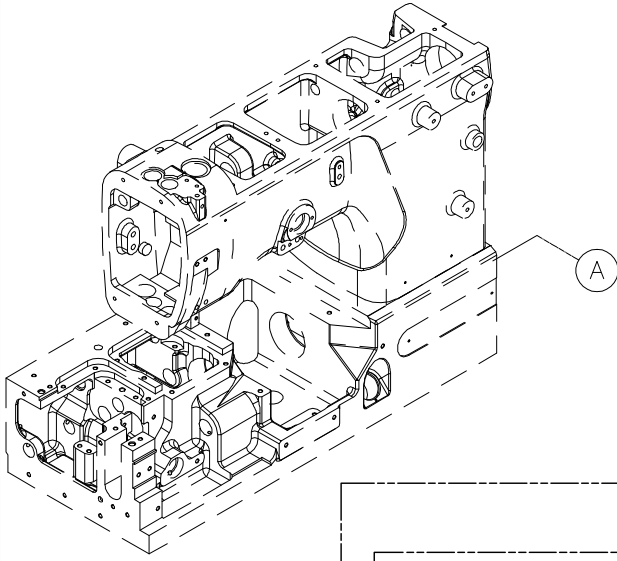


SIRUBA PARTS LIST	Series	Parts Group	Subclass / Remark	Page
	F007KD	MB-K	For Direct-Drive Motor (P牌) #For Pneumatic Automatic %For Electric Automatic	4/7
				Date 2024/1/4



<b>SIRUBA</b>  <b>PARTS LIST</b>	<b>Series</b>	<b>Parts Group</b>	<b>Subclass / Remark</b>	<b>Page</b>
	<b>F007KD</b>	<b>MB-K</b>	<b>For Direct-Drive Motor (U牌)</b>	<b>5/7</b>
				<b>Date</b>
				2024/1/4

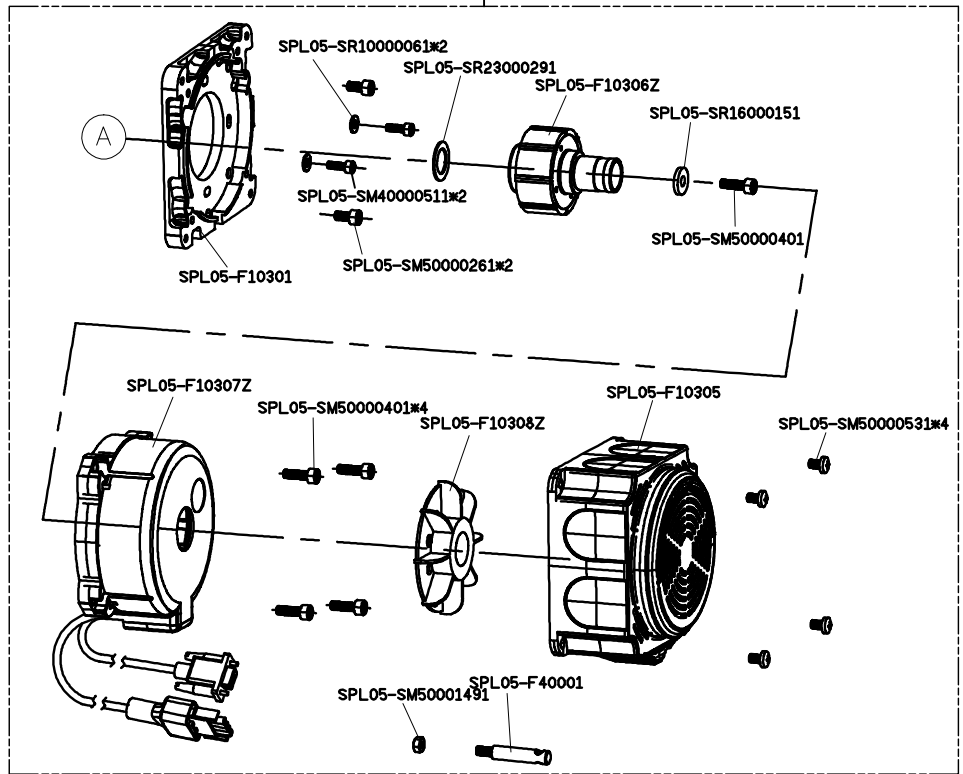
A



B

DFU501NDE-A

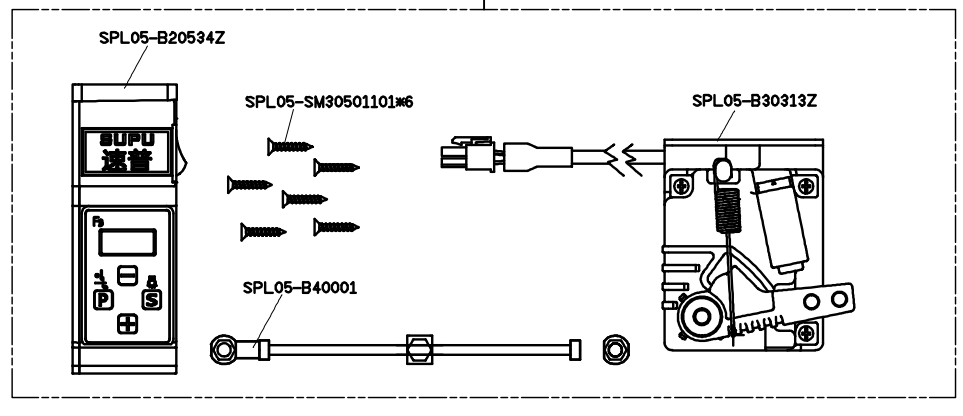
DFUM0155E-E



C

D

DCU501NDE-E



E

1

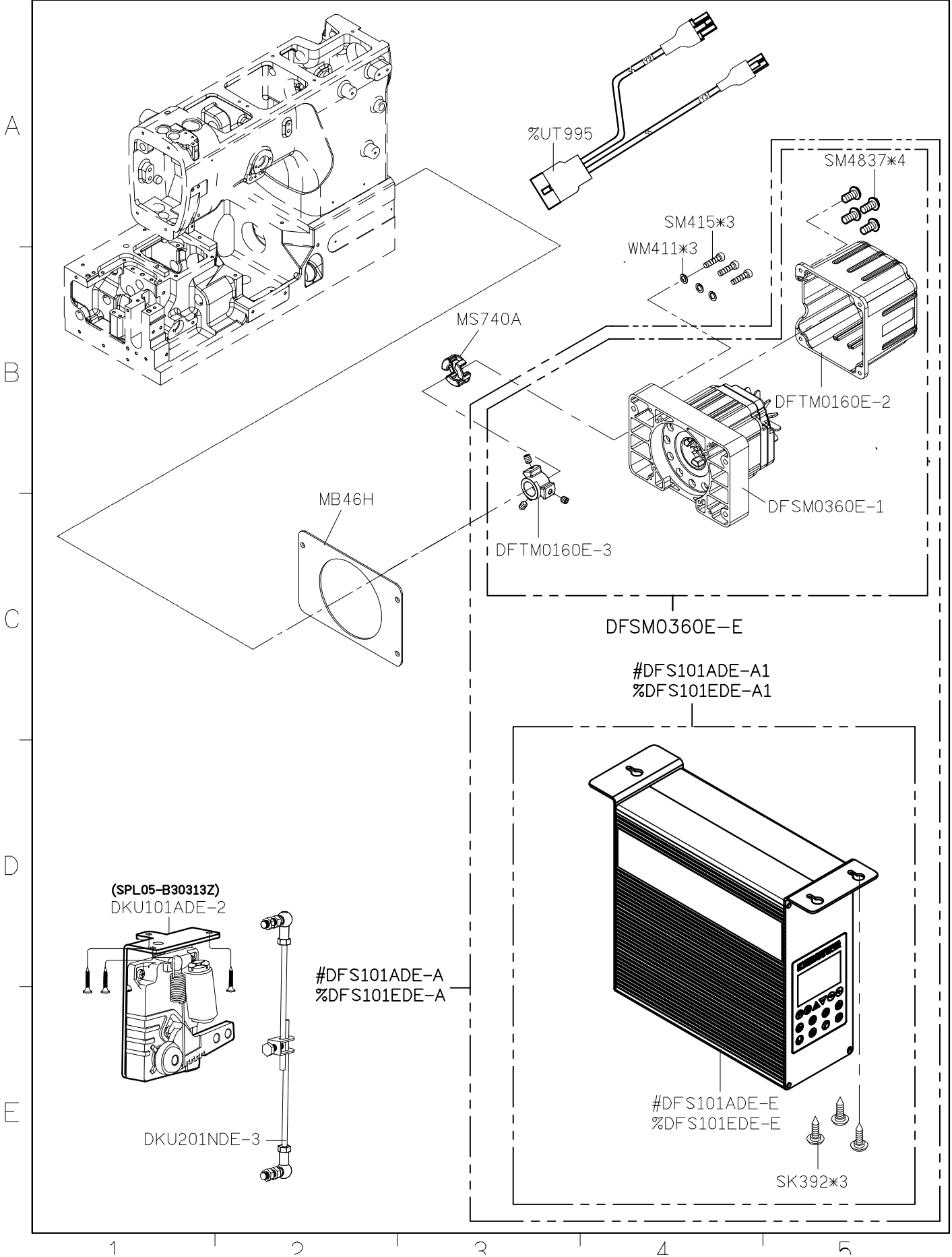
2

3

4

5

<b>SIRUBA</b>  <b>PARTS LIST</b>	Series	Parts Group	Subclass / Remark	Page
	<b>F007KD</b>	<b>MB-K</b>	For Direct-Drive Motor #For Pneumatic Automatic %For Electric Automatic	6/7
				Date
				2024/1/4



SIRUBA PARTS LIST	Series	Parts Group	Subclass / Remark	Page
	F858KD	MB-K		7/7
				Date
				2024/3/21

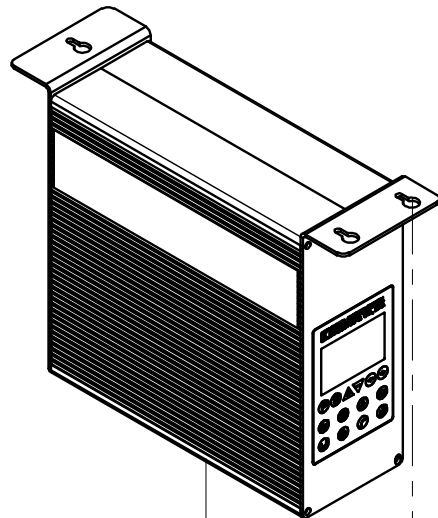
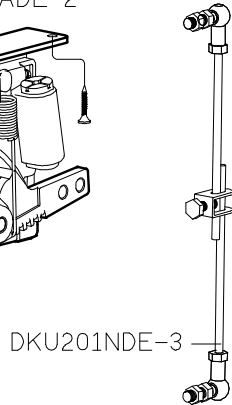
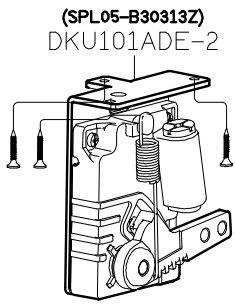
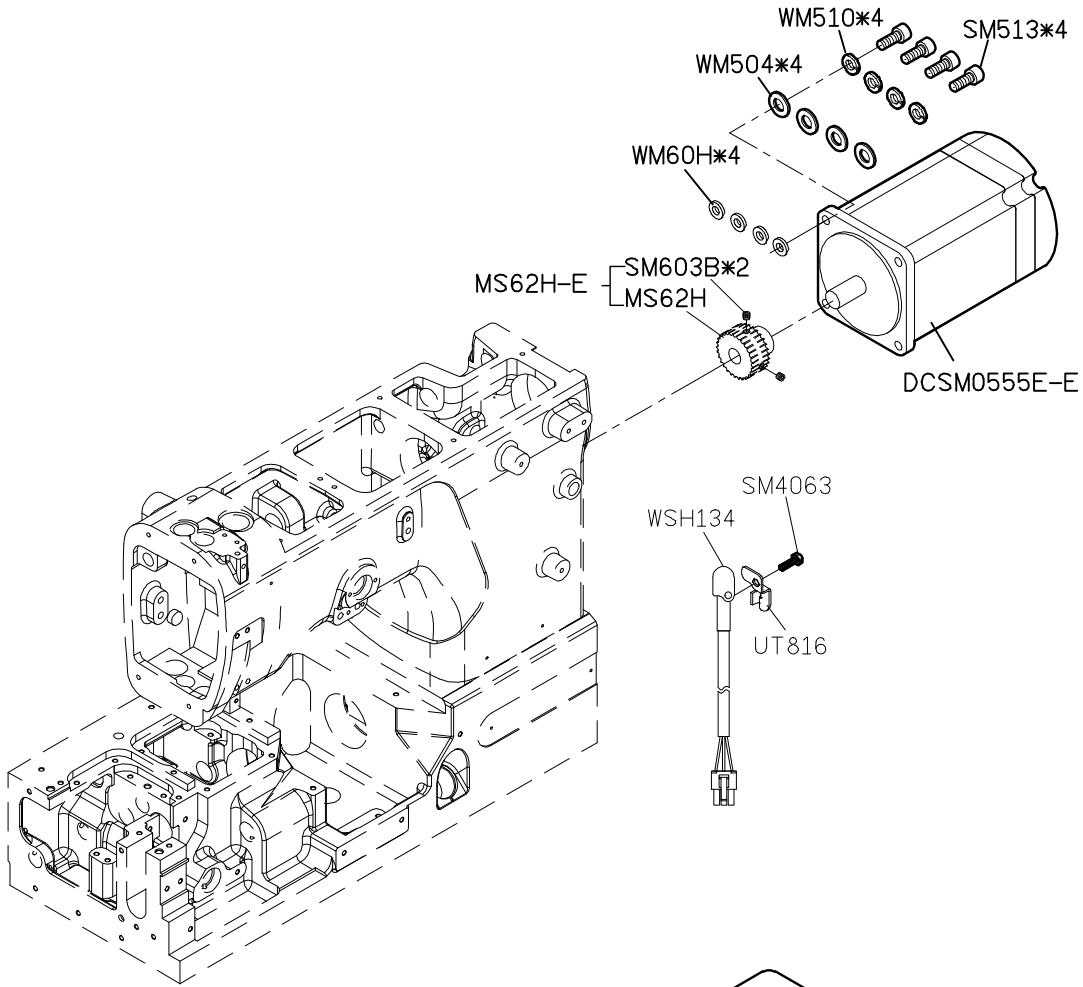
A

B

C

D

E



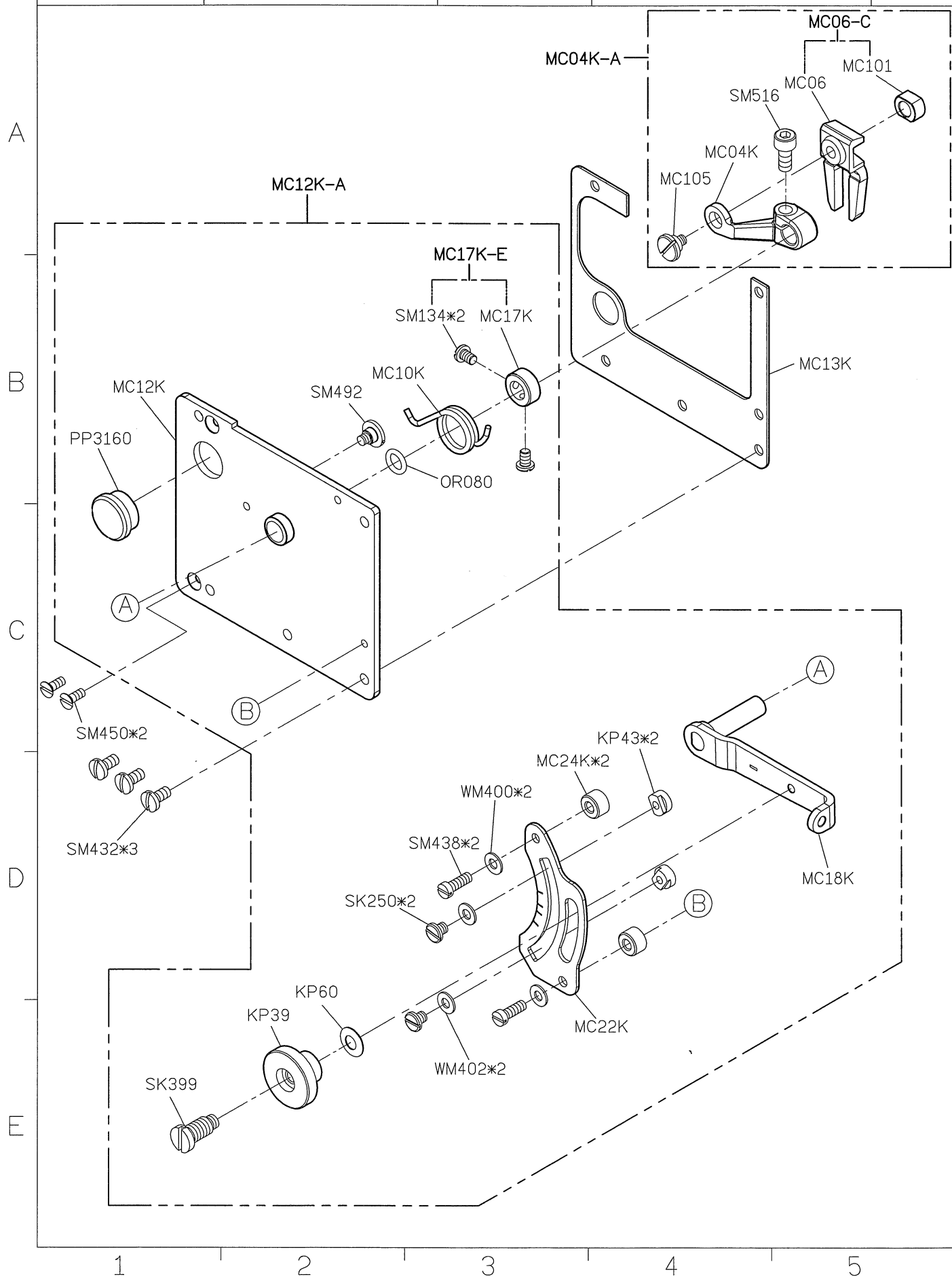
1

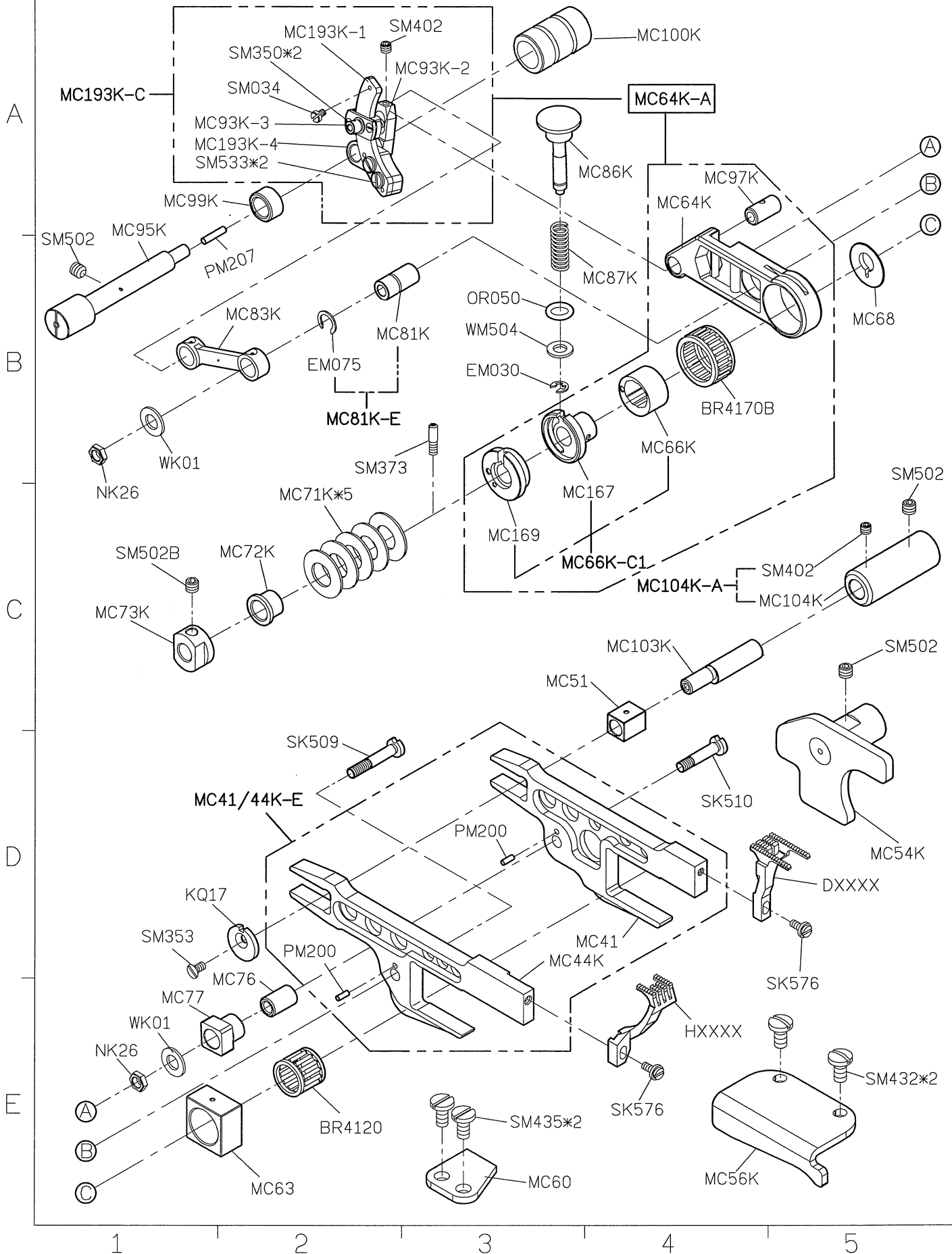
2

3

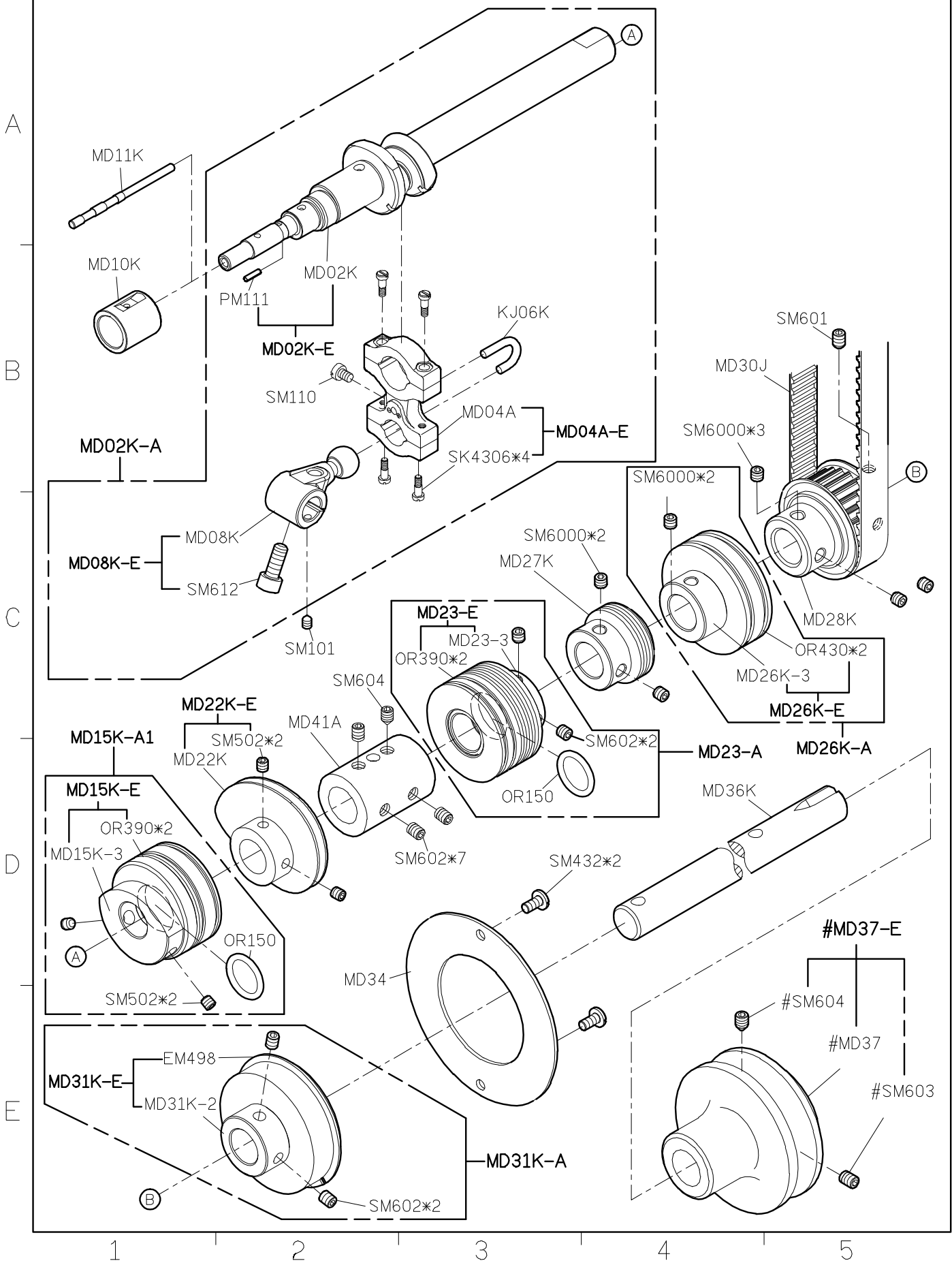
4

5

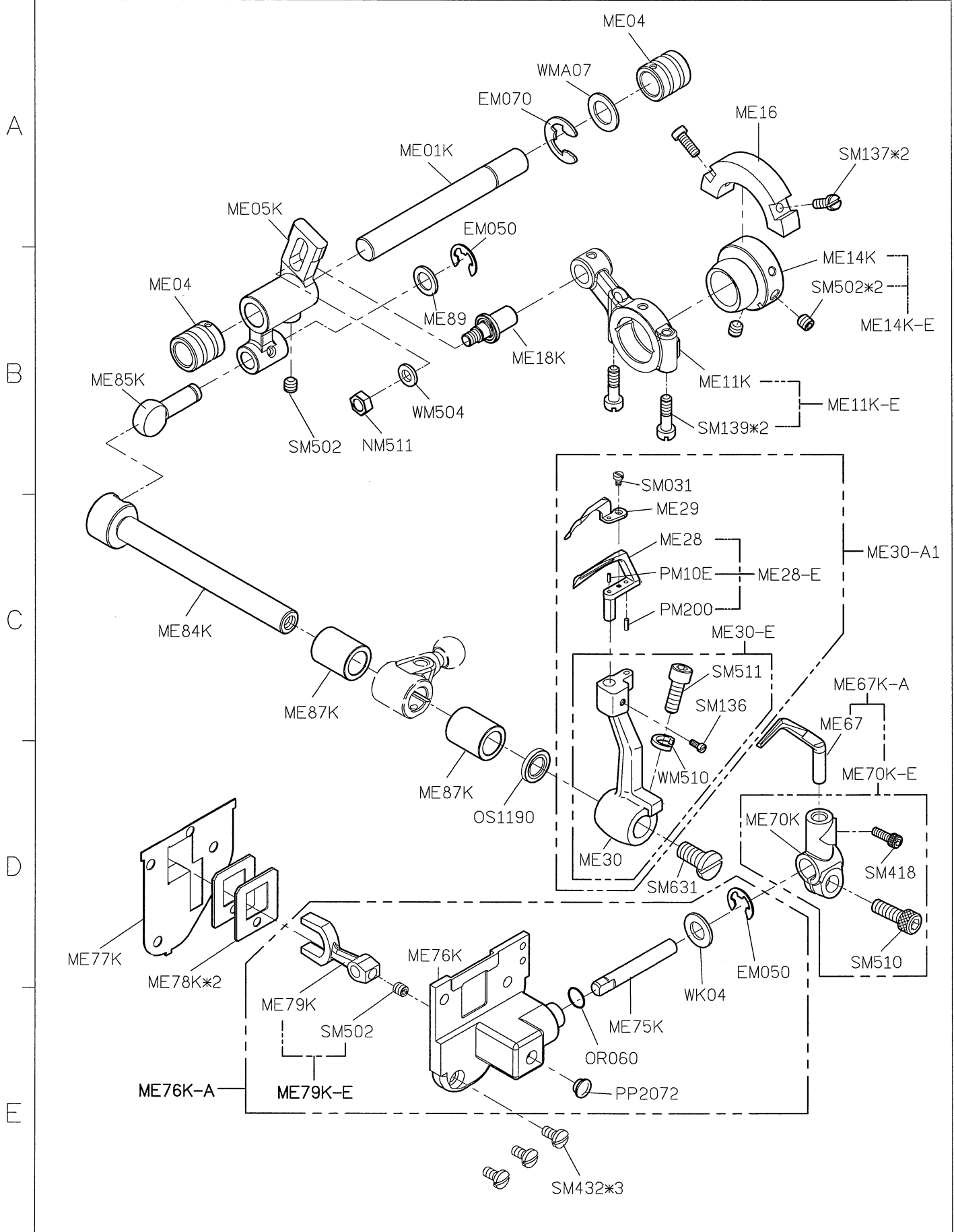




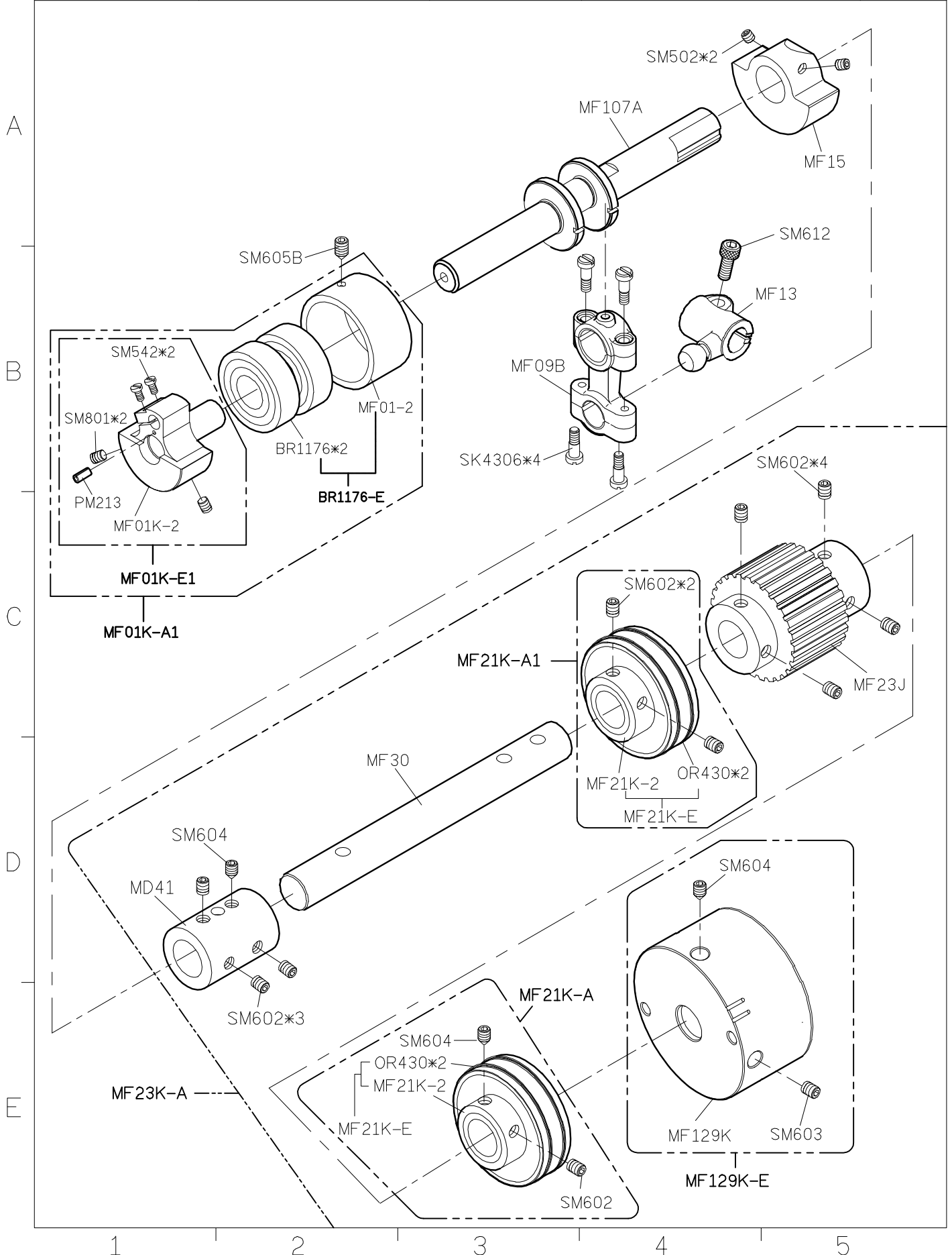
SIRUBA PARTS LIST	Series	Parts Group	Subclass / Remark	Page
	F007K/F007KD F858K	MD-K	#: Use for F007K/F858K	1/1
				Date 2020/9/1



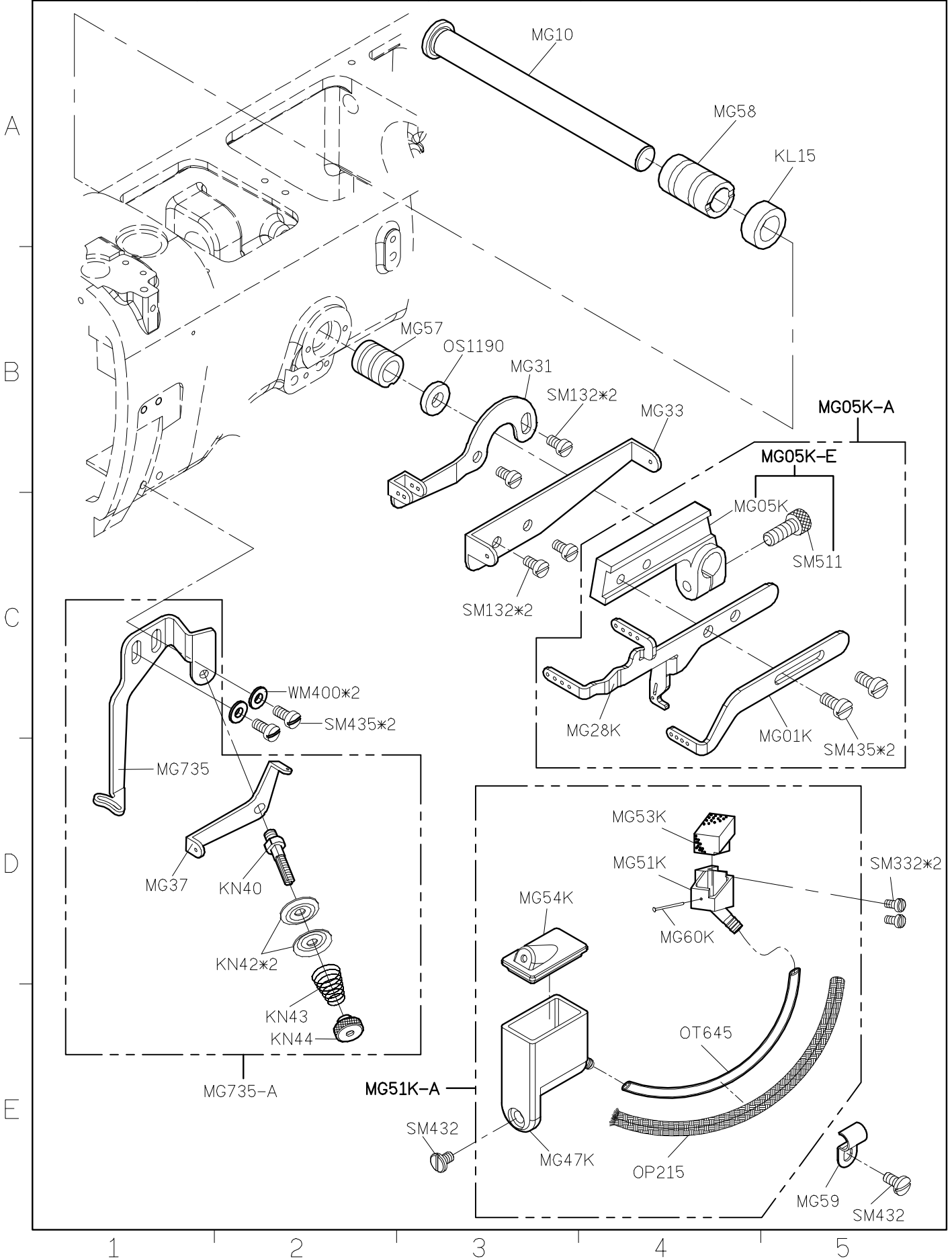
SIRUBA PARTS LIST	Series	Parts Group	Subclass / Remark	Page
	F007K/F007KD	ME-K		1/1
	F858K			Date
				2016/9/6



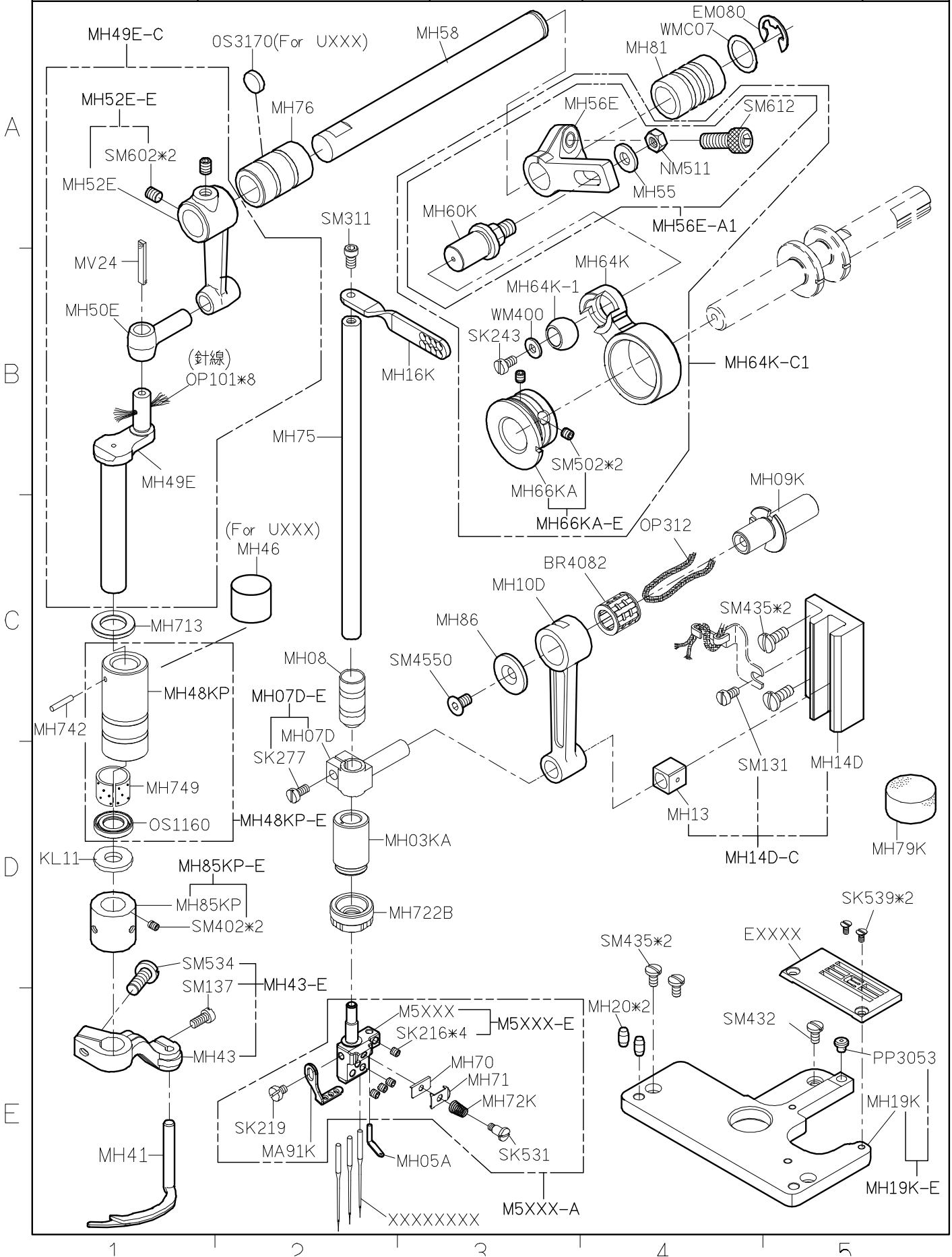




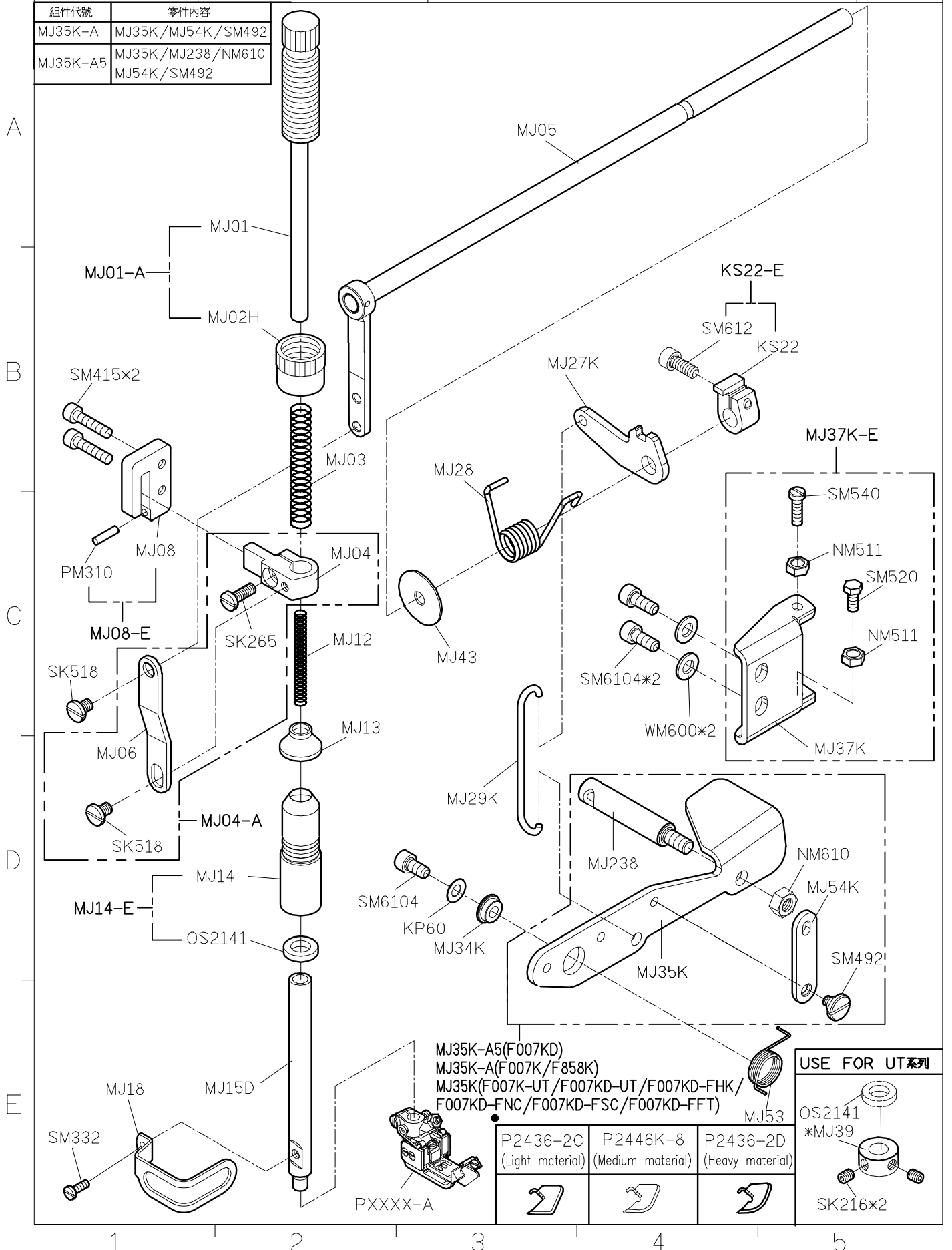
SIRUBA PARTS LIST	Series	Parts Group	Subclass / Remark	Page
	F007K/F007KD	MG-K		1/1
	F858K			Date
				2024/8/15



<b>SIRUBA</b> <b>PARTS LIST</b>	<b>Series</b>	<b>Parts Group</b>	<b>Subclass / Remark</b>	<b>Page</b>
	<b>F007K/F007KD</b>	<b>MH-K</b>		<b>1/1</b>
				<b>Date</b>
				<b>2024/7/11</b>



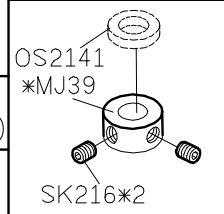
組件代號	零件內容
MJ35K-A	MJ35K/MJ54K/SM492
MJ35K-A5	MJ35K/MJ238/NM610 MJ54K/SM492



MJ35K-A5(F007KD)  
 MJ35K-A(F007K/F858K)  
 MJ35K(F007K-UT/F007KD-UT/F007KD-FHK/  
 F007KD-FNC/F007KD-FSC/F007KD-FFT)

USE FOR UT系列

P2436-2C (Light material)	P2446K-8 (Medium material)	P2436-2D (Heavy material)



**SIRUBA**

PARTS LIST

Series

F007K/F007KD  
F007KP/F858K

Parts Group

**MK-K**

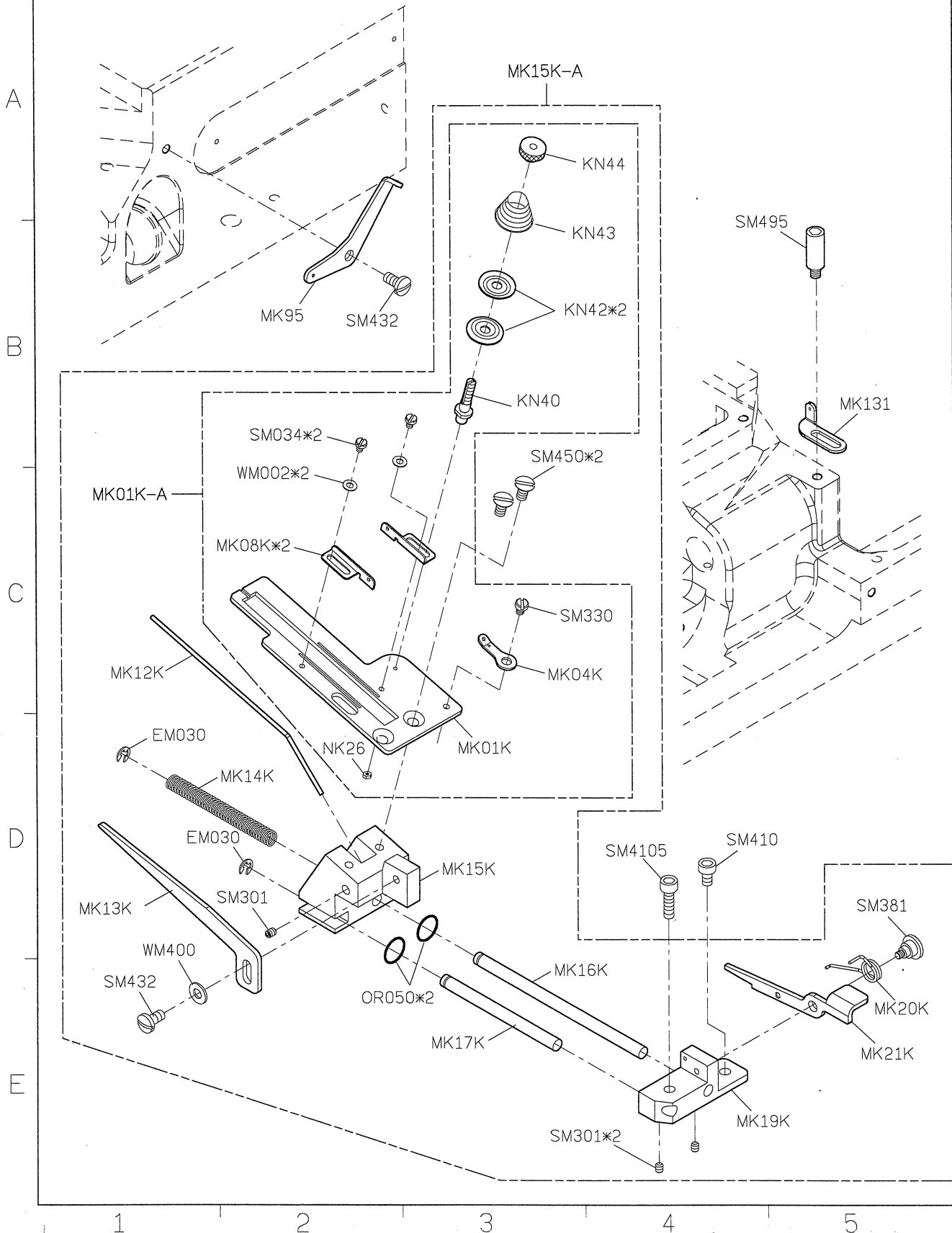
Subclass / Remark

Page

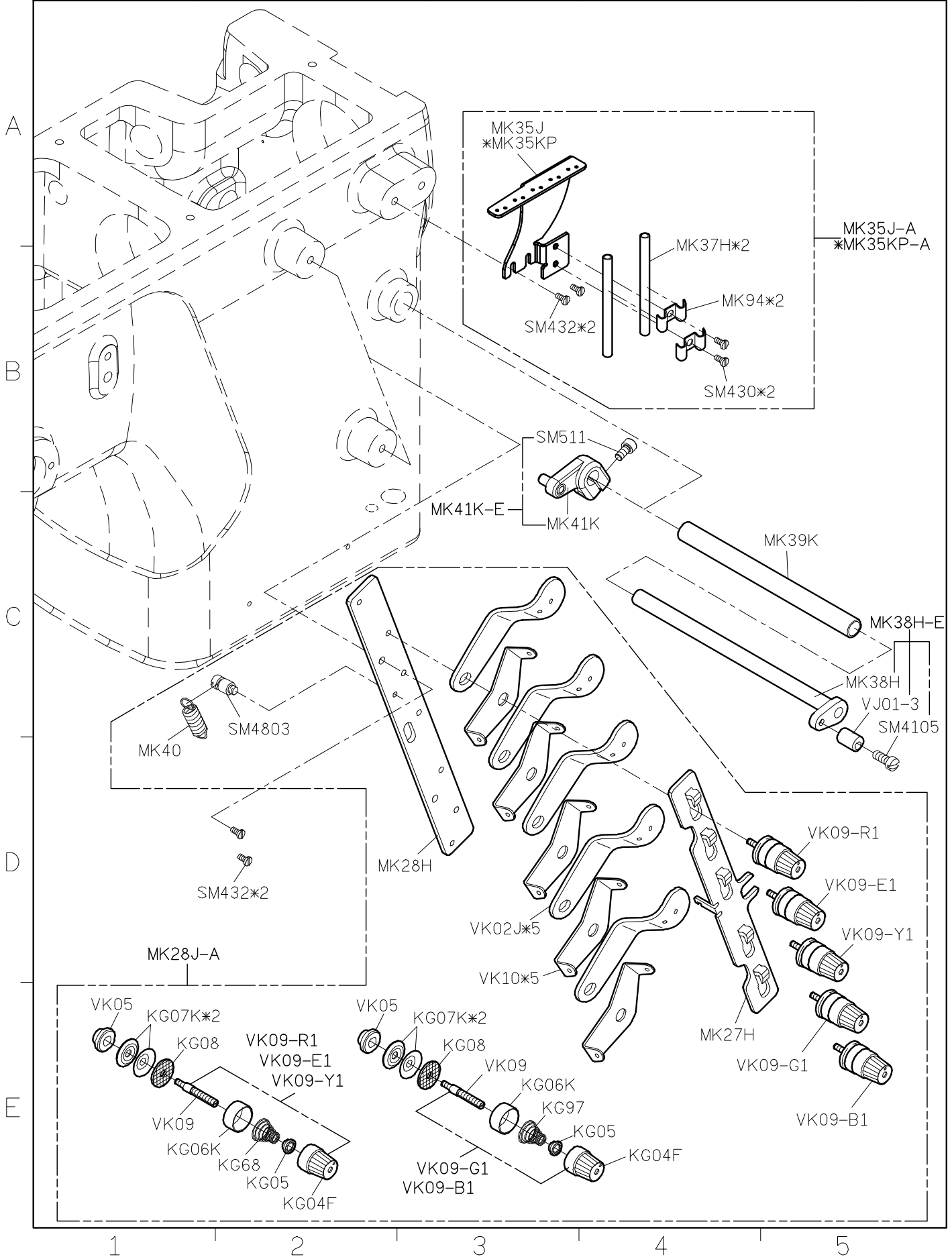
1/2

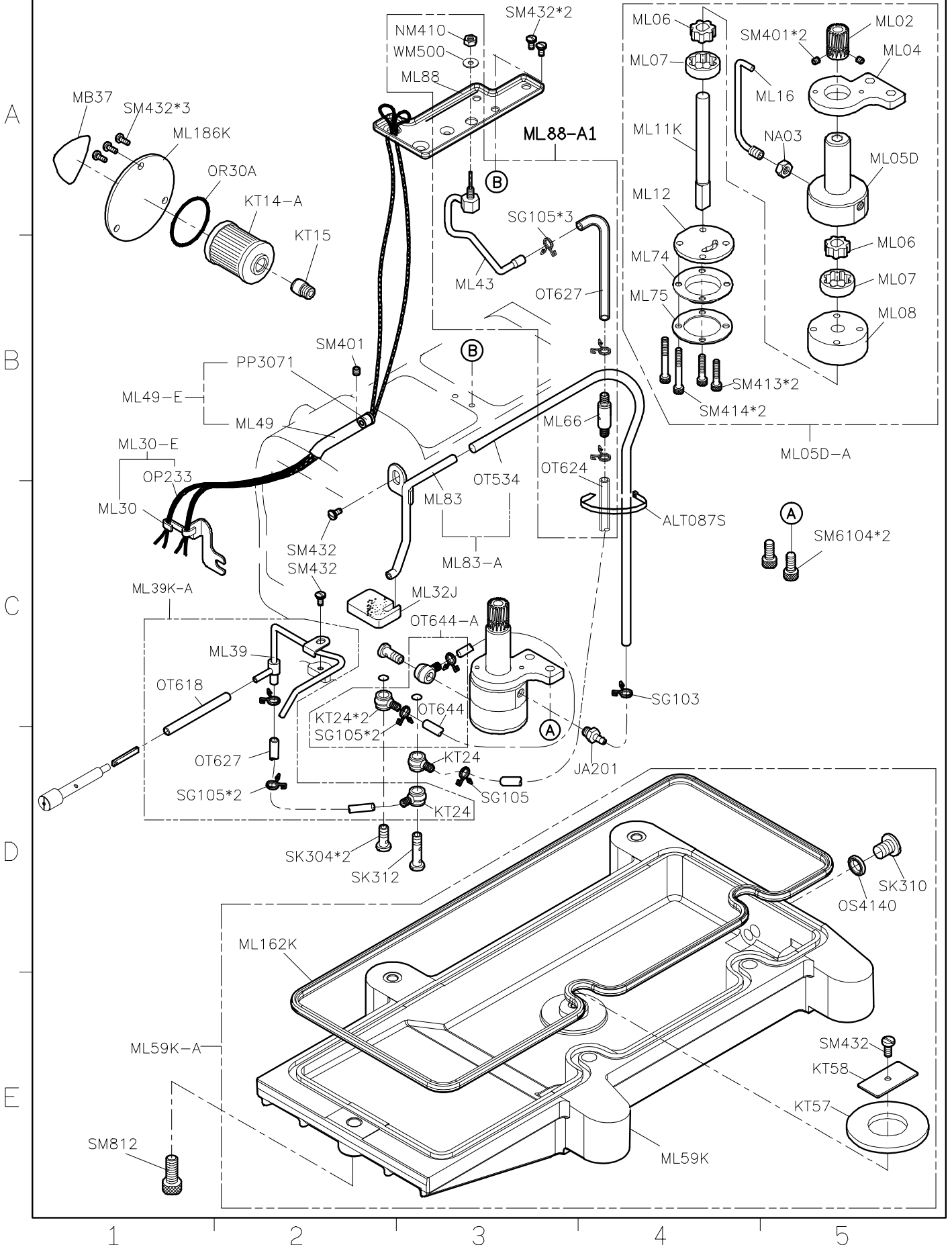
Date

2019/6/13



SIRUBA PARTS LIST	Series	Parts Group	Subclass / Remark	Page
	F007K/F007KD	MK-K	*:Use for F007KP	2/2
	F007KP/F858K			Date
	2020/3/20			





1

2

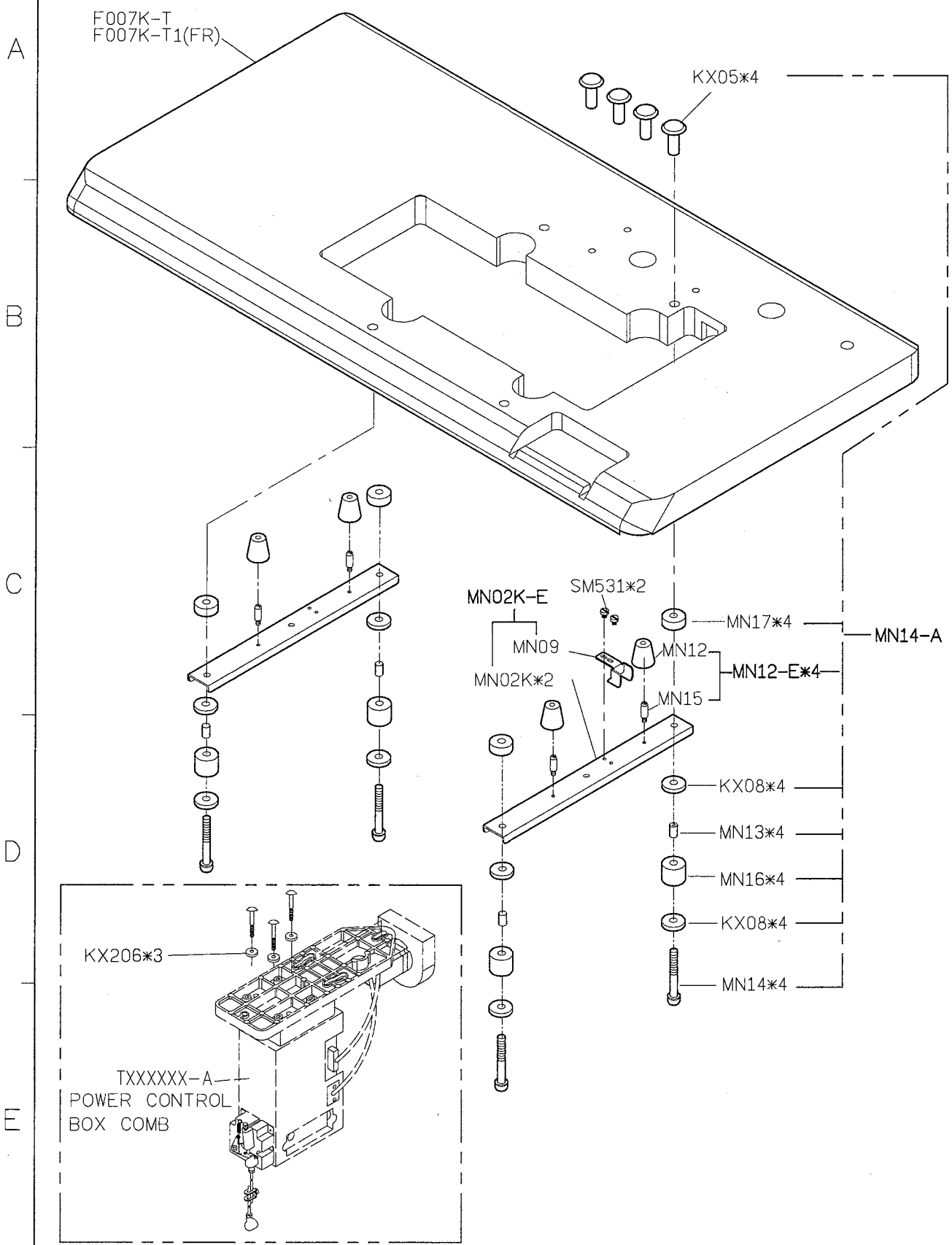
3

4

5

<b>SIRUBA</b> PARTS LIST	Series	Parts Group	Subclass / Remark	Page
	F007K/F007KD F858K	<b>MN-K</b>		1/2
				Date
				2021/1/26

Semi-submerged



F007K-T  
F007K-T1(FR)

KX05\*4

MN02K-E  
SM531\*2  
MN09  
MN02K\*2  
MN17\*4  
MN12  
MN12-E\*4  
MN15  
MN14-A  
KX08\*4  
MN13\*4  
MN16\*4  
KX08\*4  
MN14\*4

KX206\*3

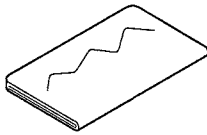

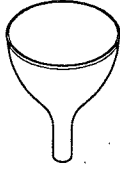
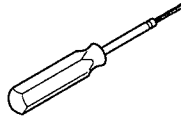
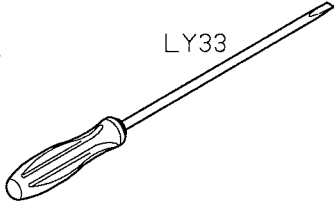

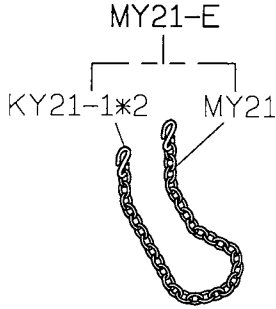
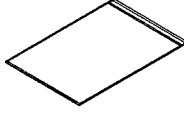

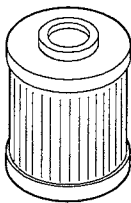

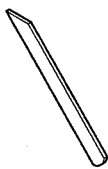
TXXXXXX-A  
POWER CONTROL  
BOX COMB

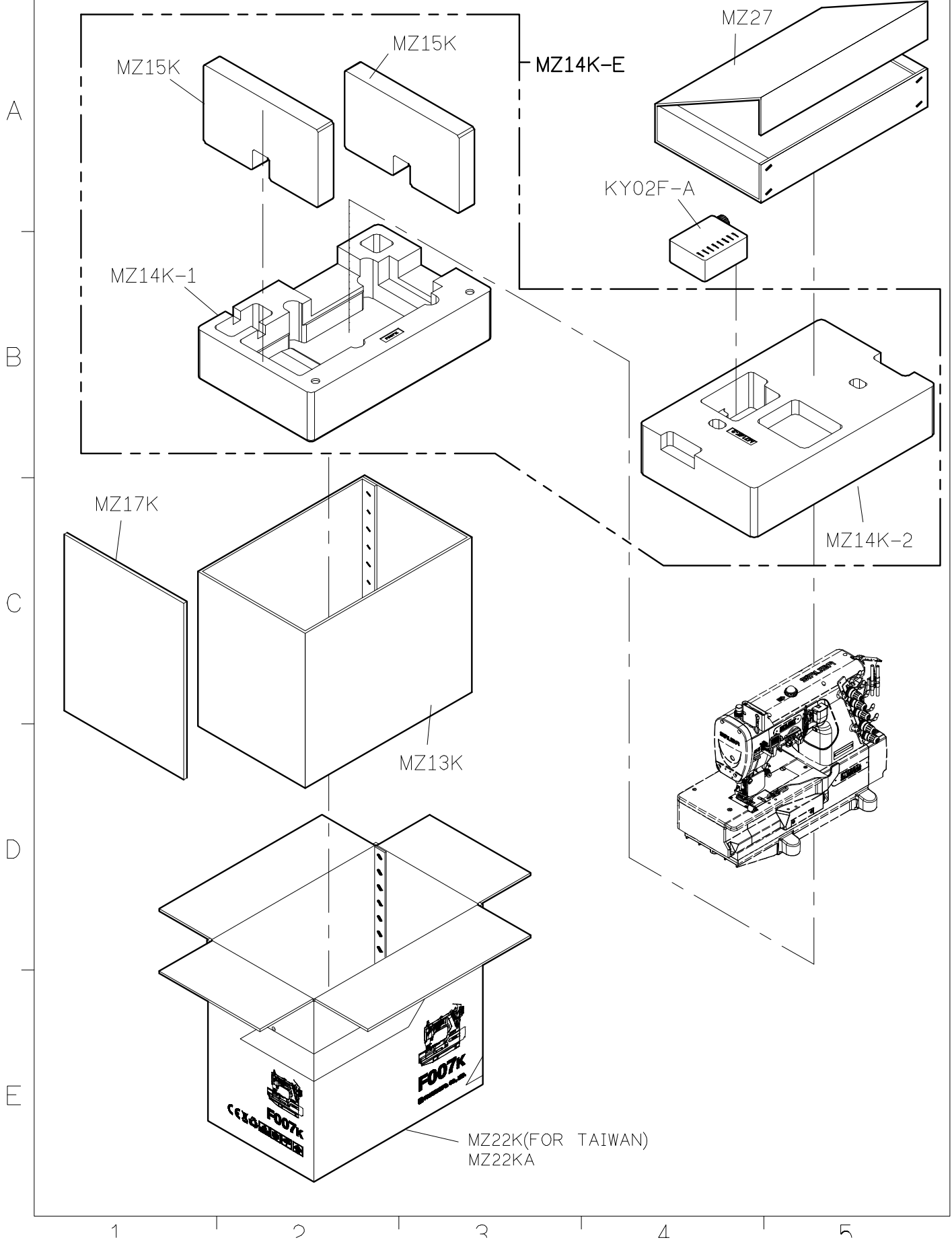
1 2 3 4 5

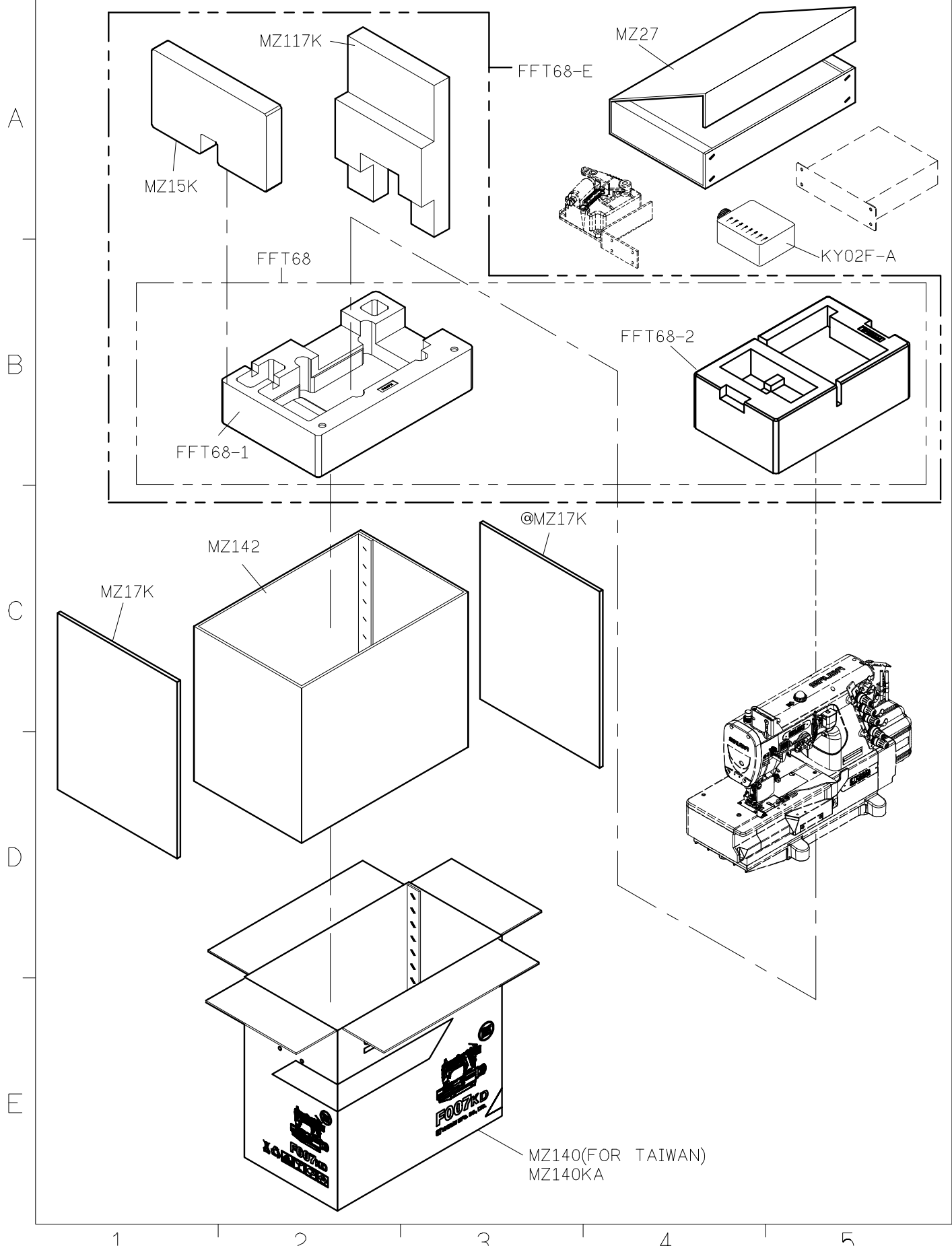




<b>SIRUBA</b> PARTS LIST	Series	Parts Group	Subclass / Remark	Page
	F007K/F007KD F858K	<b>MY-K</b>		1/1
				Date 2021/01/12

A	MY01	KY03	KY04	KY14	LY33
					
B	KY18	MY21-E KY21-1*2 MY21	KY201JK	KZ03	
					
C	KT14-A	UYX128GAS#10*4	FR40K 加裝FR時用		
					
D					
E					
	1	2	3	4	5





SIRUBA PARTS LIST	Series	Parts Group	Subclass / Remark	Page
	C007K/C007L	KW		1/1
	C007KP/F007K			Date
	S007K/U007			2020/8/18

KW01E-A

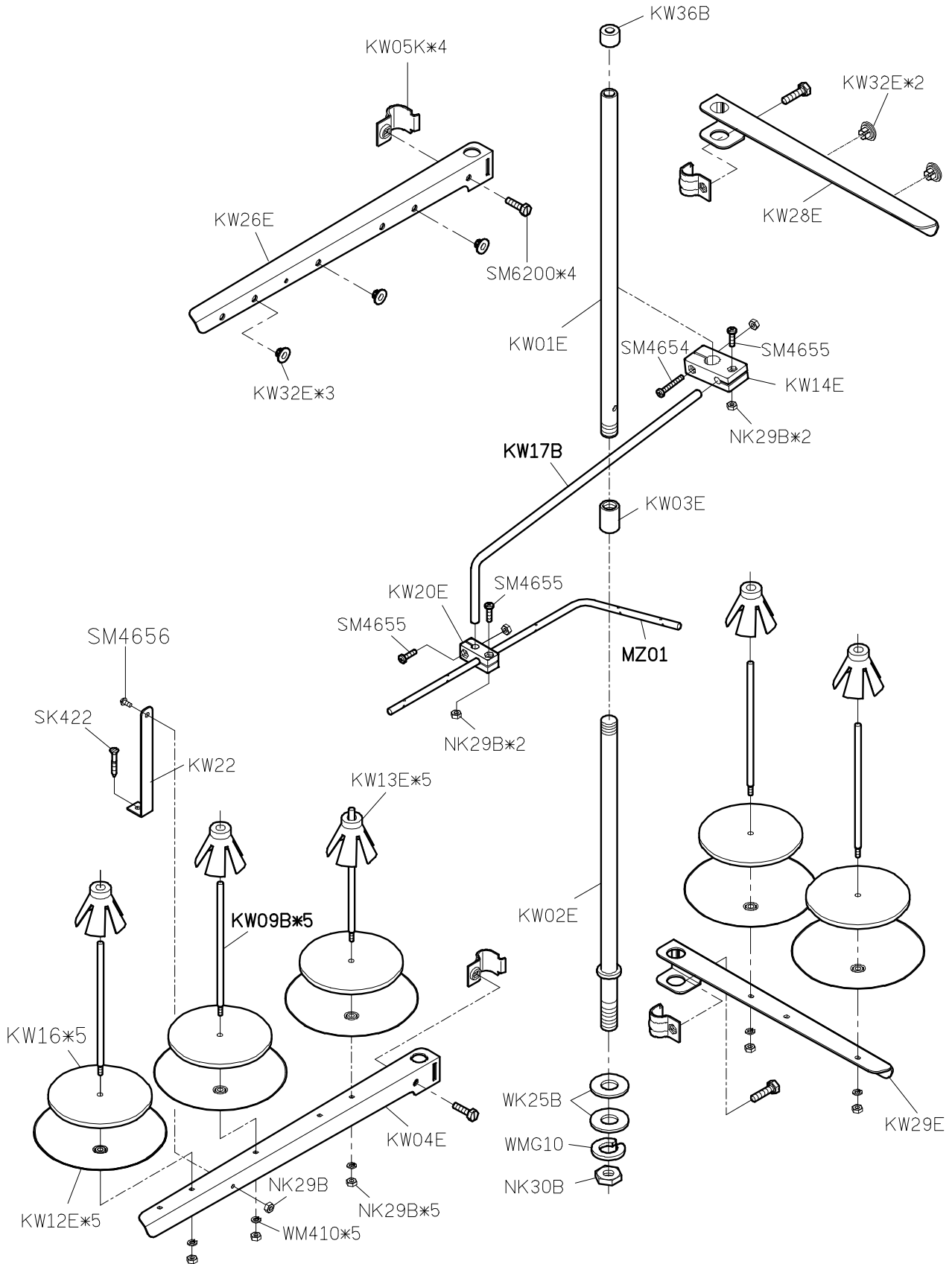
A

B

C

D

E



1

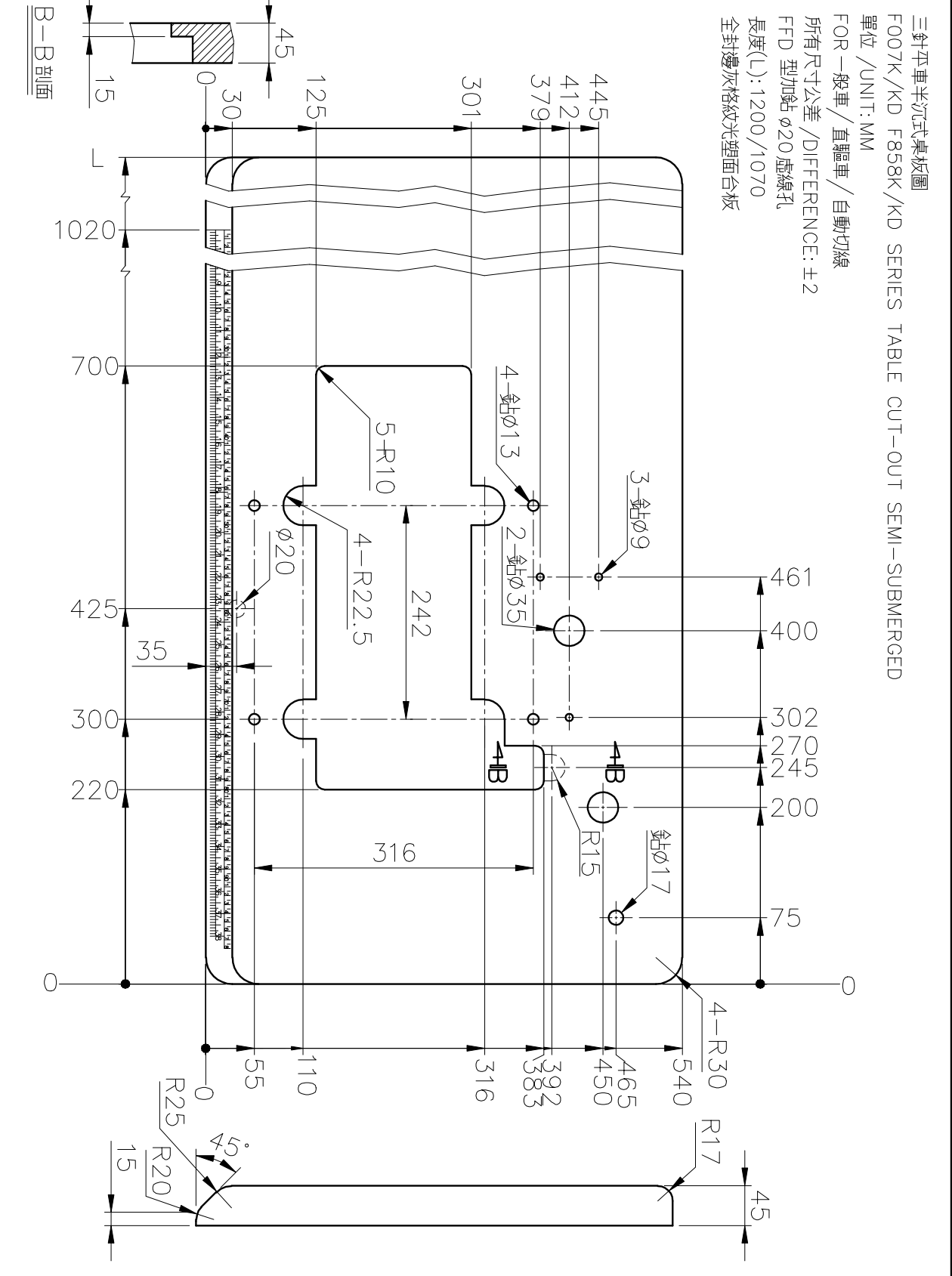
2

3

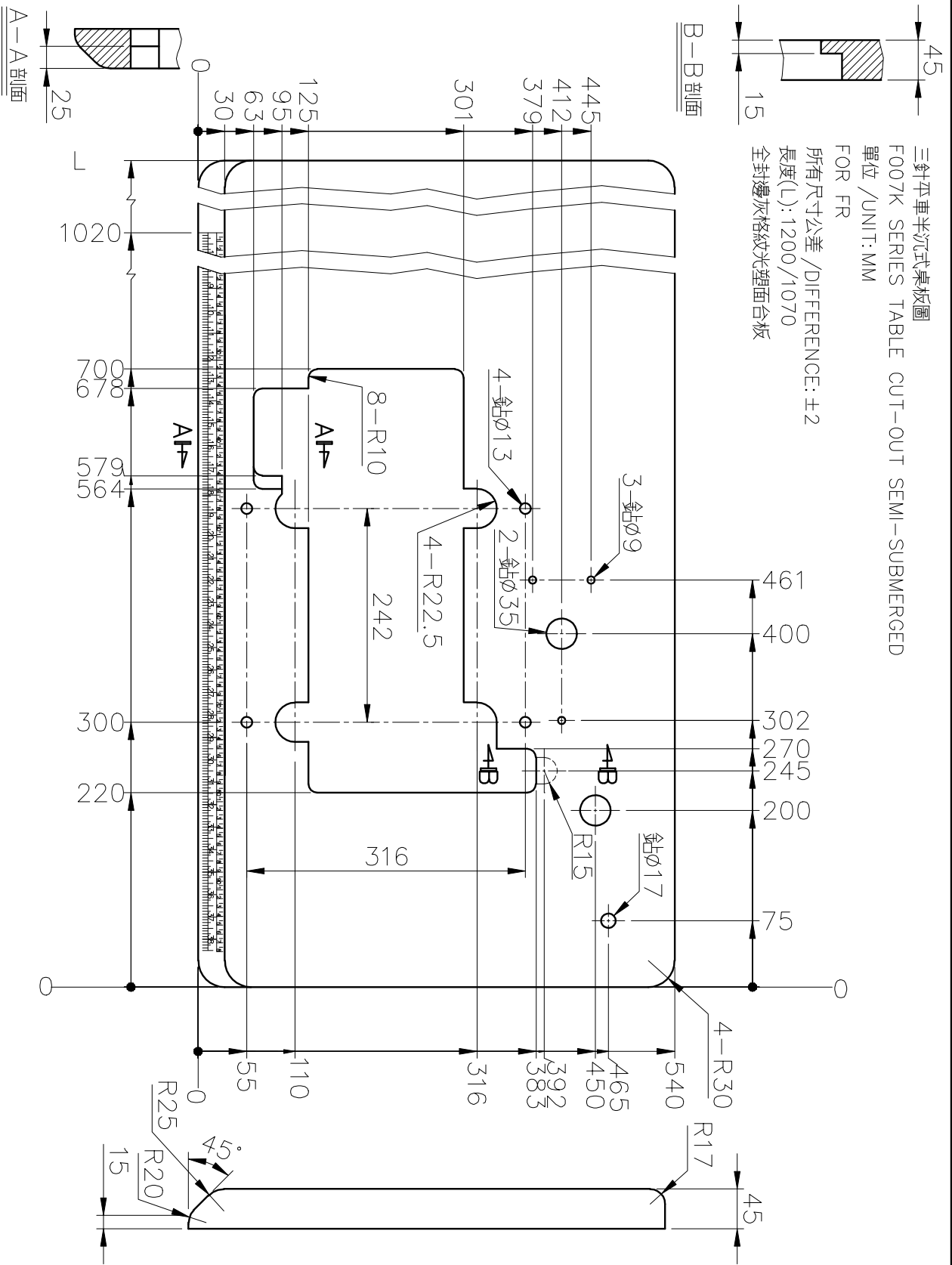
4

5

<b>SIRUBA</b> <b>TABLE</b> <b>CUT - OUT</b>	<b>Series</b>	<b>Item Code</b>	<b>Subclass / Remark</b>	<b>Mounting</b>
	<b>F007K/F007KD</b> <b>F858K/F858KD</b>	<b>F007K-T</b>	For All Series excluding FR,FHK models	<b>Semi-submerged</b>
				<b>Date</b> <b>2013/01/26</b>

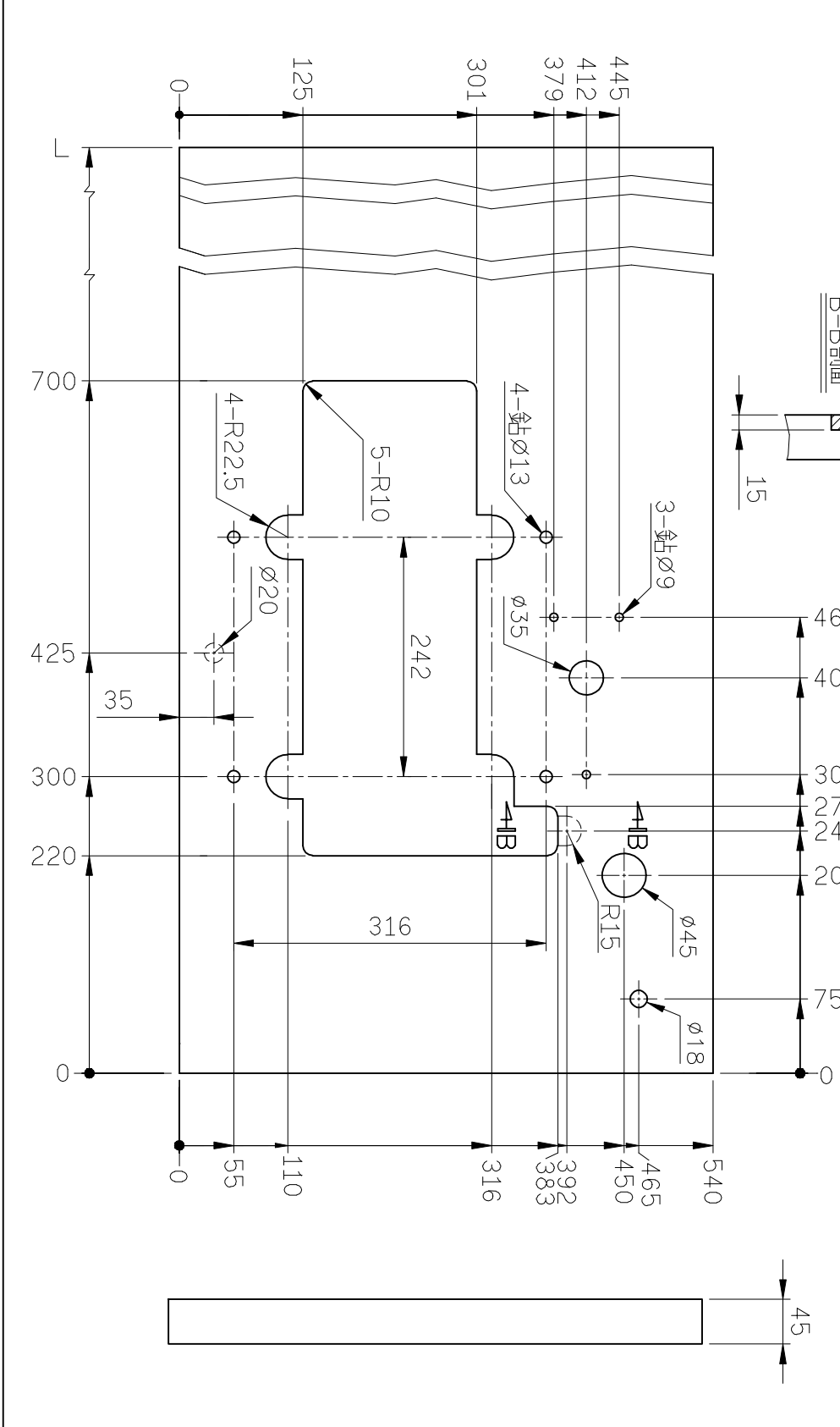


<b>SIRUBA</b> <b>TABLE</b> <b>CUT - OUT</b>	<b>Series</b>	<b>Item Code</b>	<b>Subclass / Remark</b>	<b>Mounting</b>
	<b>F007K/F007KD</b> <b>F858K/F858KD</b>	<b>F007K-T1</b>	For All Series	<b>Semi-submerged</b>
				<b>Date</b> <b>2012/10/16</b>



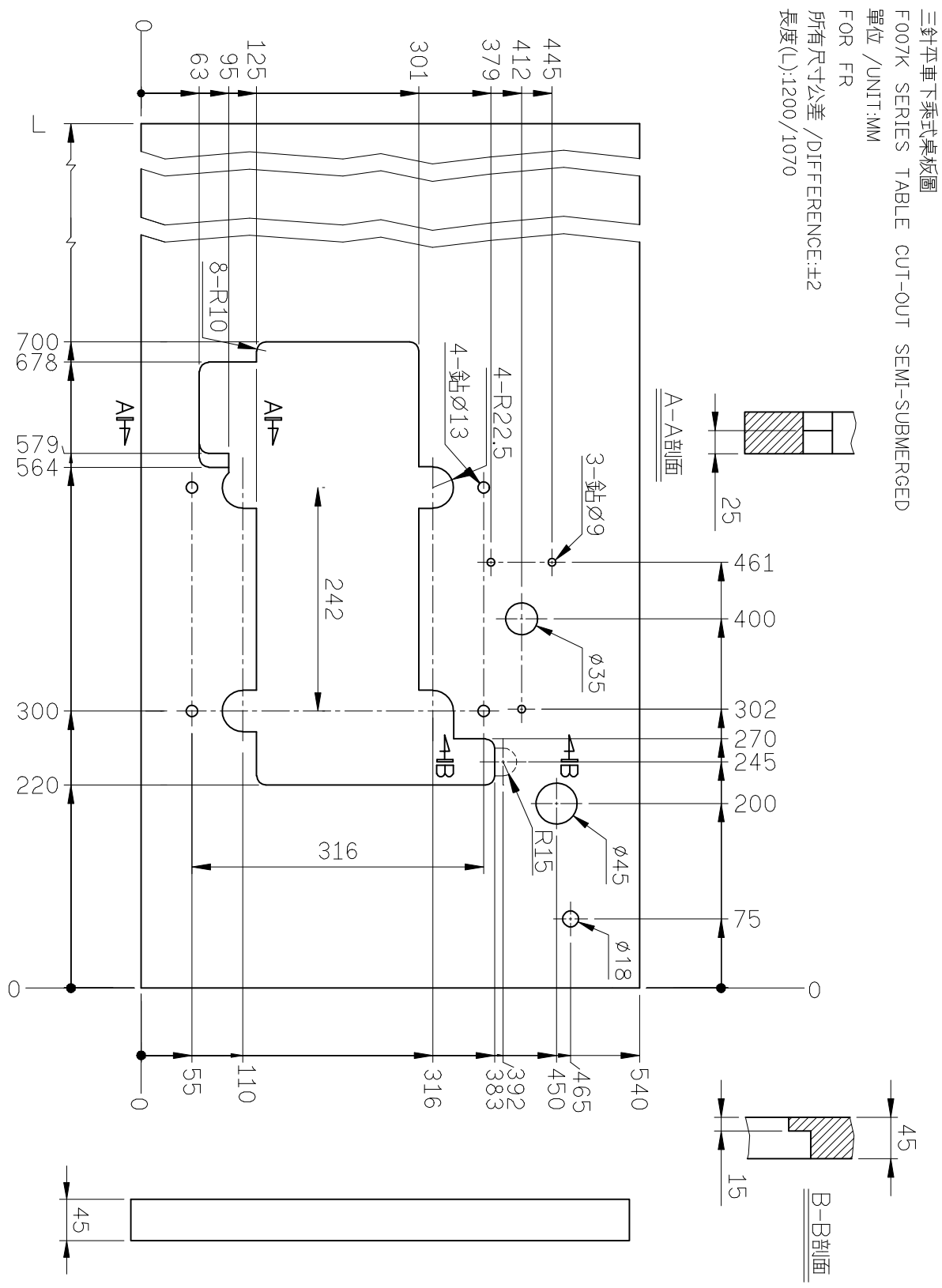
<b>SIRUBA</b> TABLE CUT - OUT	<b>Series</b>	<b>Item Code</b>	<b>Subclass / Remark</b>	<b>Mounting</b>
	F007K	F007K-T		<b>Semi-submerged</b>
				<b>Date</b>
				<b>2023/10/19</b>

三針平車下乘式桌板圖  
 F007K SERIES TABLE CUT-OUT SEMI-SUBMERGED  
 單位 / UNIT:MM  
 FOR 一般車 / 直驅車 / 自動切線  
 所有尺寸公差 / DIFFERENCE:±2  
 FFD 型加鉗  $\phi 20$  虛線孔  
 長度(L):1200/1070



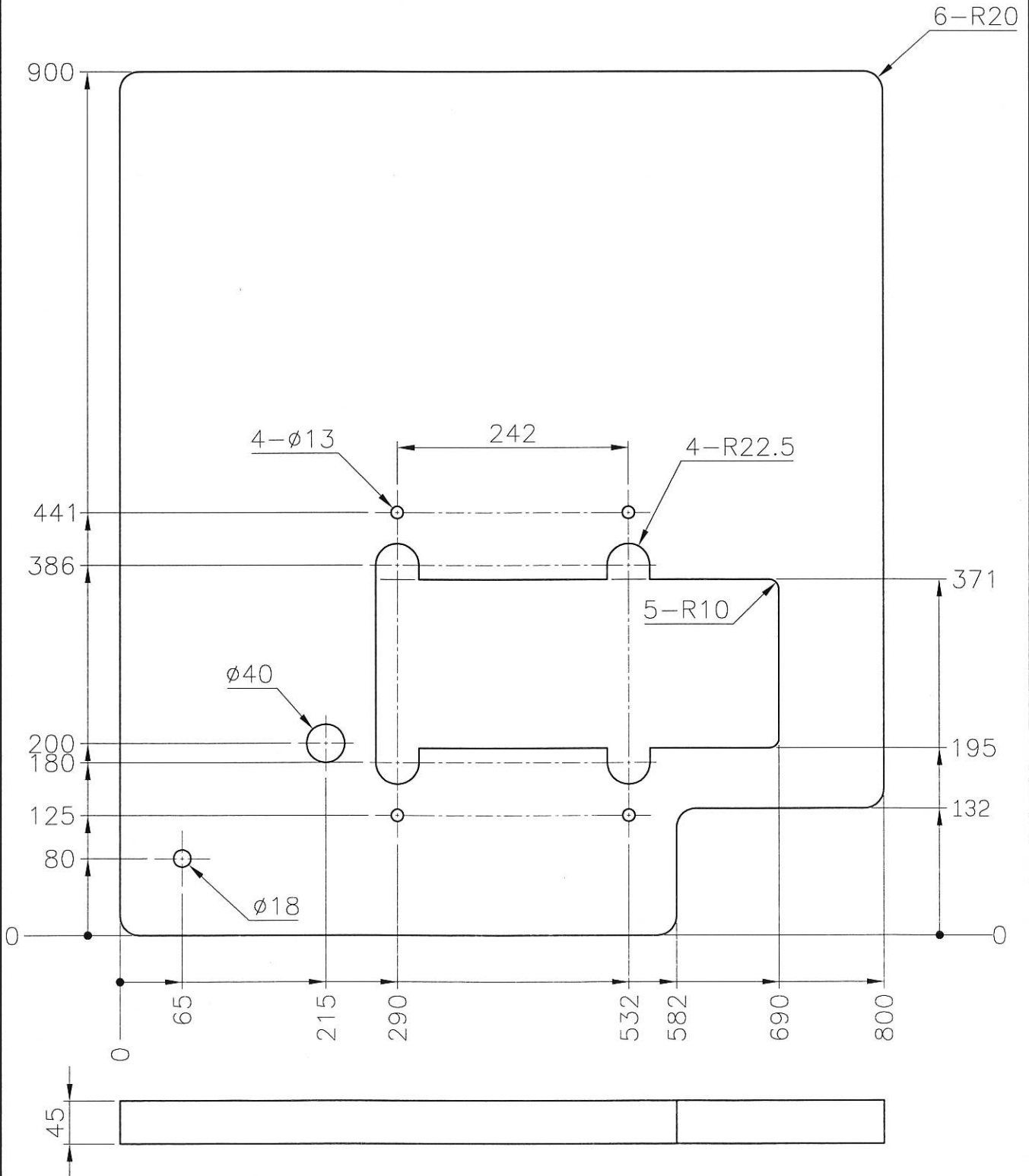


<b>SIRUBA</b> <b>TABLE CUT - OUT</b>	<b>Series</b>	<b>Item Code</b>	<b>Subclass / Remark</b>	<b>Mounting</b>
	<b>F007K</b>	<b>F007K-T1</b>	<b>For All Series</b>	<b>Fully-submerged</b>
				<b>Date</b>
				<b>2023/10/20</b>



<b>SIRUBA</b> TABLE CUT - OUT	Series	Item Code	Subclass / Remark	Mounting
	F007KD	F007K-T2	For FHK Model	Semi-submerged
				Date
				2012/08/20

單位/UNIT : mm  
 重量/WEIGHT : 16.5kg±5%  
 所有尺寸公差/TOLERANCE : ±2



**SIRUBA**  
TABLE  
CUT - OUT

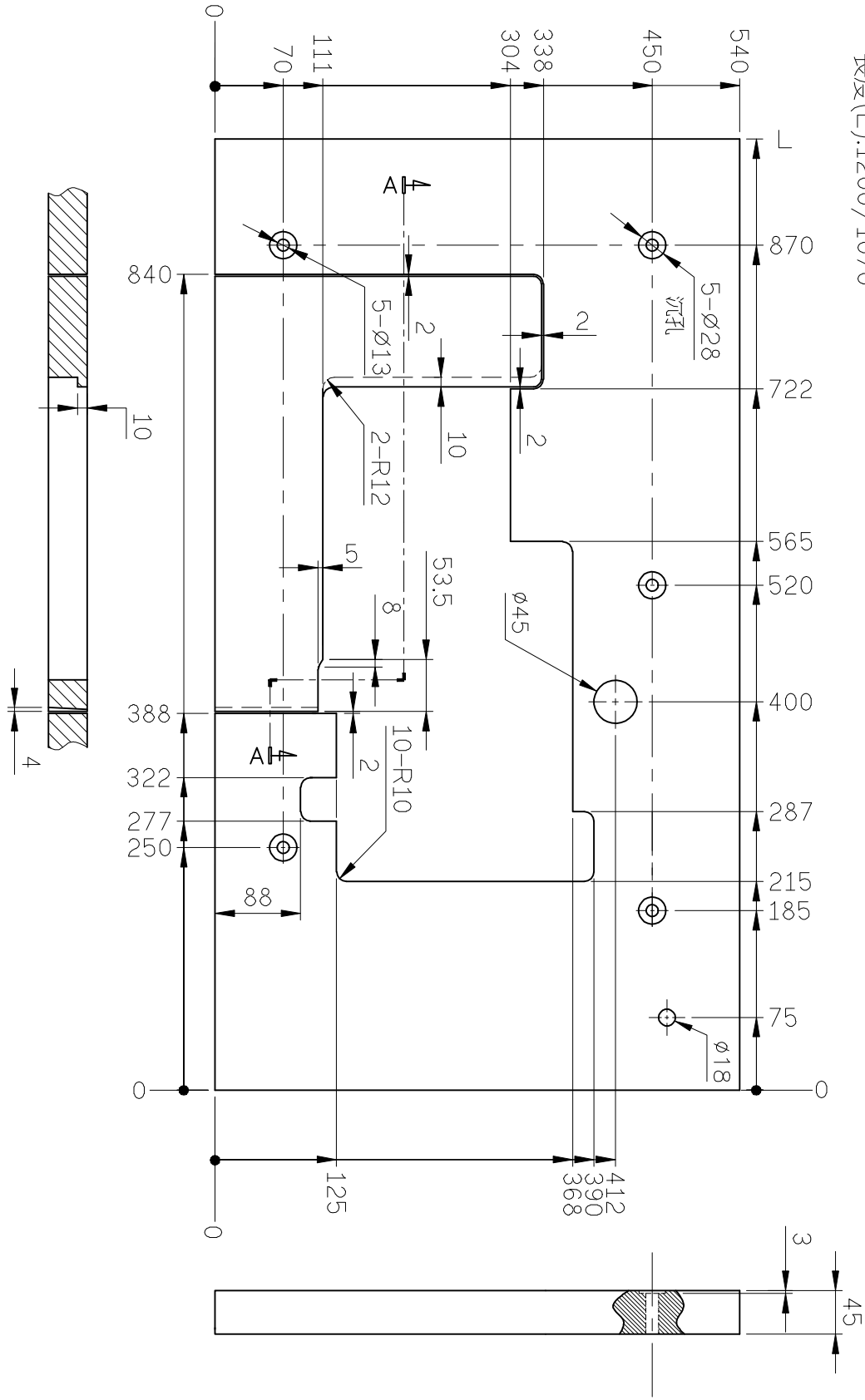
Series  
**F007K/F858K**

Item Code  
**F007K-T3-1**

Subclass / Remark  
For All Series

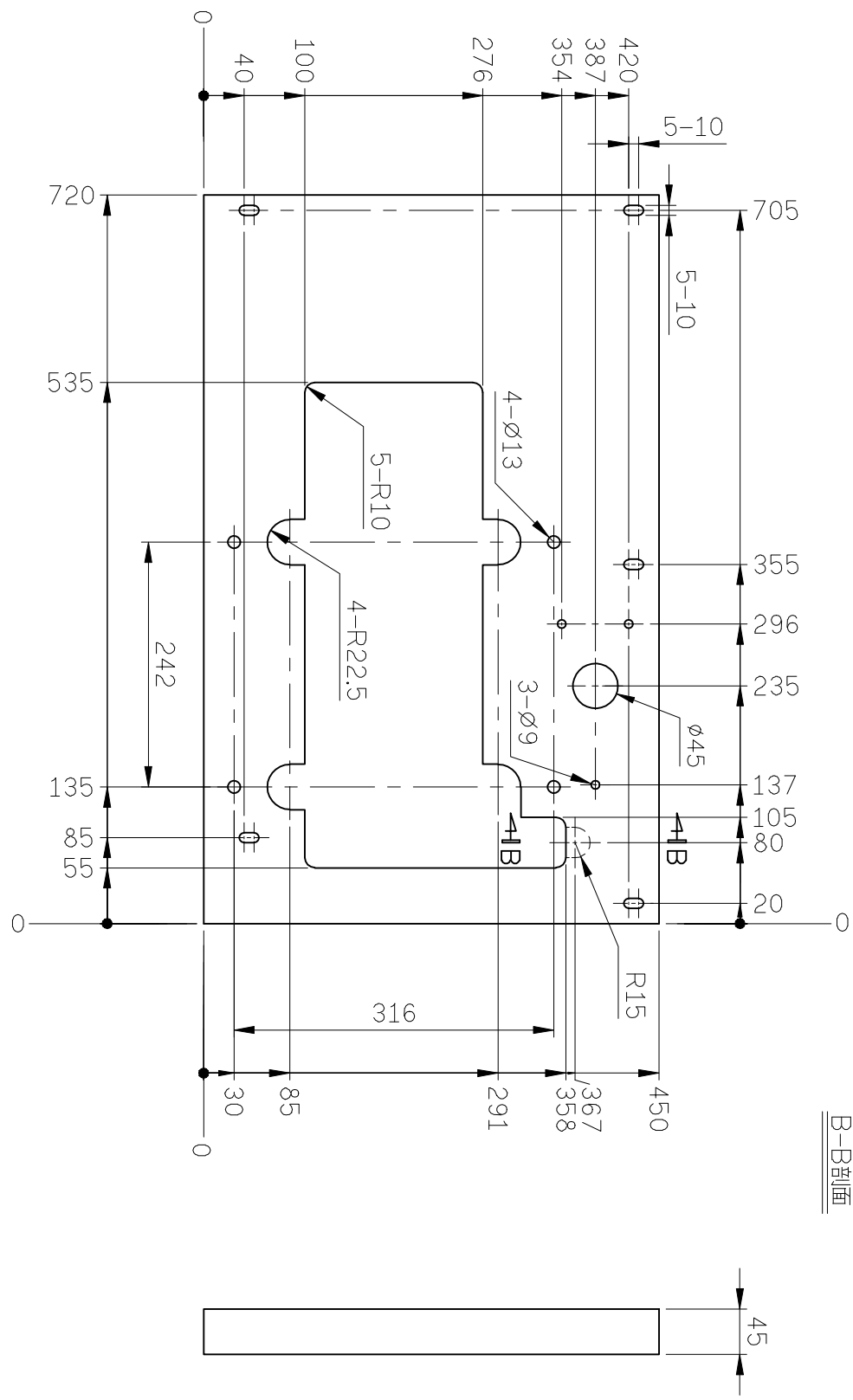
Mounting  
Fully-submerged  
Date  
**2023/10/20**

三針平車全沉式桌板圖  
F007K SERIES TABLE CUT-OUT SUBMERGED  
單位/UNIT:MM  
FOR一般車 / 自動切線  
所有尺寸公差 / DIFFERENCE:±2  
長度(L):1200/1070



<b>SIRUBA</b> TABLE CUT - OUT	<b>Series</b>	<b>Item Code</b>	<b>Subclass / Remark</b>	<b>Mounting</b>
	F007K/F858K	F007K-T3-2	For All Series	Fully-submerged
				<b>Date</b>
				2023/10/20

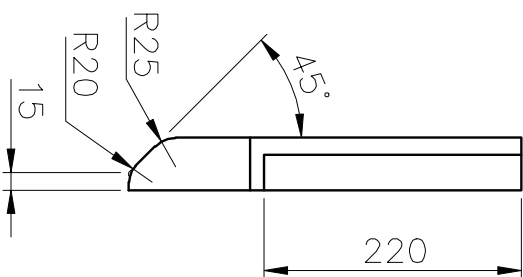
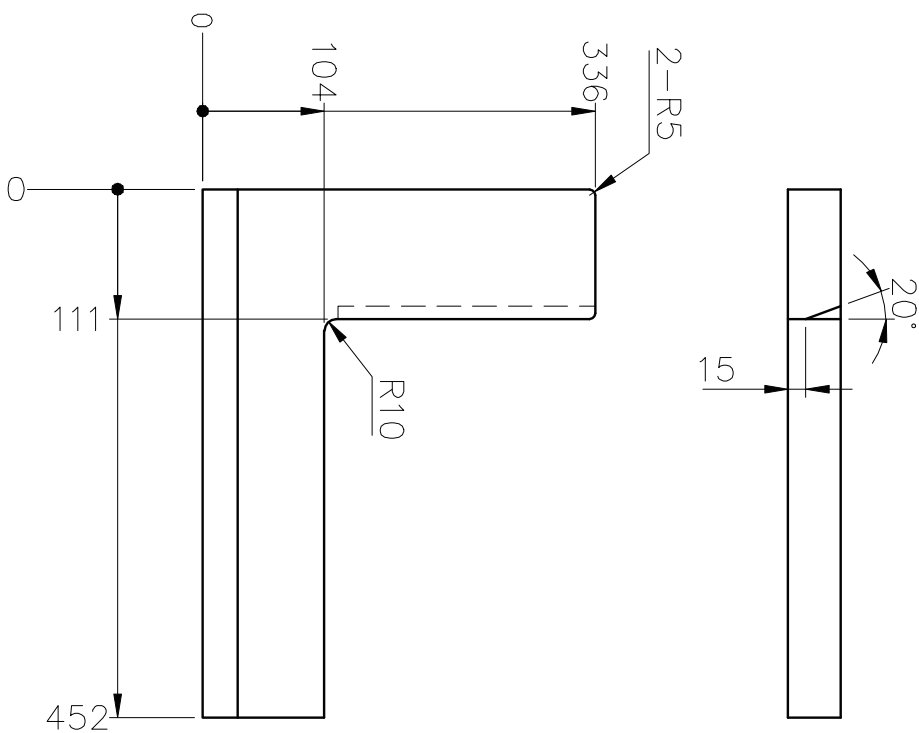
三針平車全沉式桌板圖  
 F007K SERIES TABLE CUT-OUT SUBMERGED  
 單位/UNIT:MM  
 FOR一般車 / 自動切線  
 所有尺寸公差 / DIFFERENCE:±2



B-B剖面

<b>SIRUBA</b> TABLE CUT - OUT	<b>Series</b>	<b>Item Code</b>	<b>Subclass / Remark</b>	<b>Mounting</b>
	F007K/F007KD F858K/F858KD	F007K-T3-3	For All Series	Fully-submerged
				<b>Date</b>
				2013/01/26

三針平車全沉式桌板圖  
 F007K SERIES TABLE CUT-OUT FULL-SUBMERGED  
 單位/UNIT:MM  
 FOR一般車 / 直驅車 / 自動切線  
 所有尺寸公差 / DIFFERENCE:±2  
 全封邊灰格紋光塑面台板



**SIRUBA**  
TABLE  
CUT - OUT

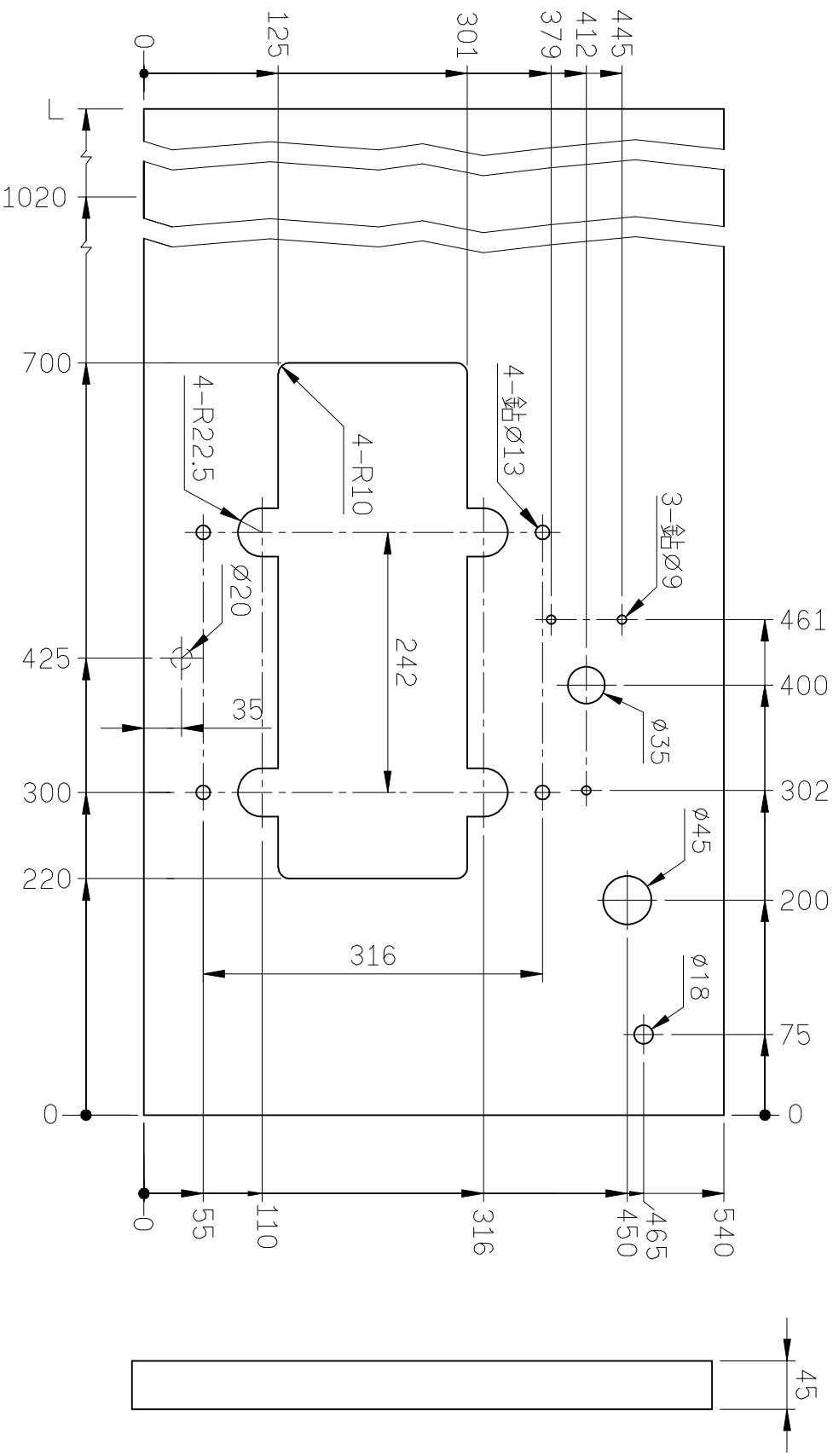
Series  
**F007KD**

Item Code  
**F007K-T4**

Subclass / Remark  
For all electronic direct drive  
series machines

Mounting  
Semi-submerged  
Date  
**2023/10/20**

三針平車下乘式桌板  
F007KD SERIES TABLE CUT-OUT SEMI-SUBMERGED  
單位/UNIT:MM  
FOR一般車 / 直驅車 / 自動切線  
所有尺寸公差/DIFFERENCE:±2  
FFD型加鉗ø20虛線孔  
長度(L): 1200/1070  
for SILMAQ.



**SIRUBA**  
TABLE  
CUT - OUT

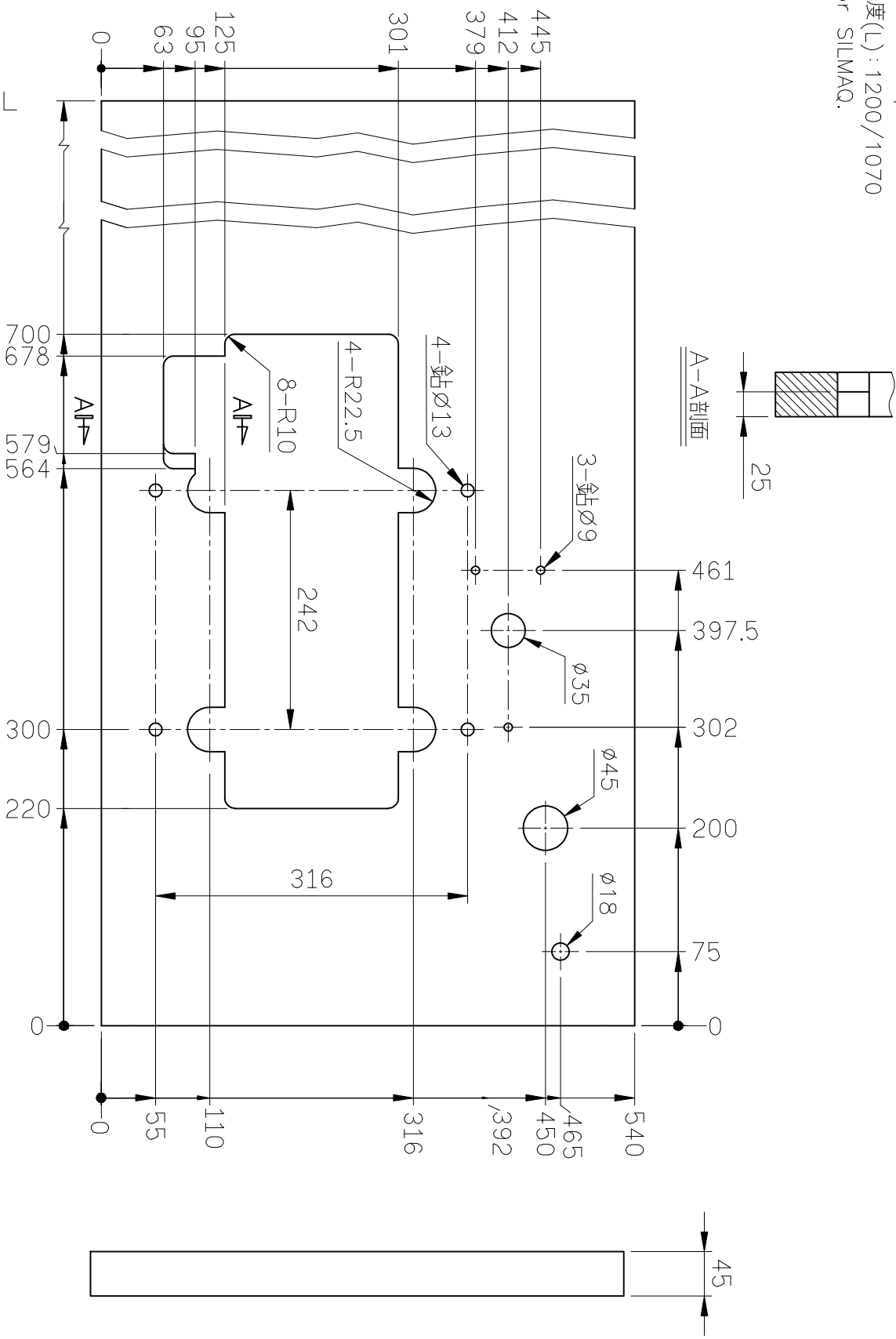
Series  
**F007KD**

Item Code  
**F007K-T5**

Subclass / Remark  
F007KD/FR direct drive  
machine

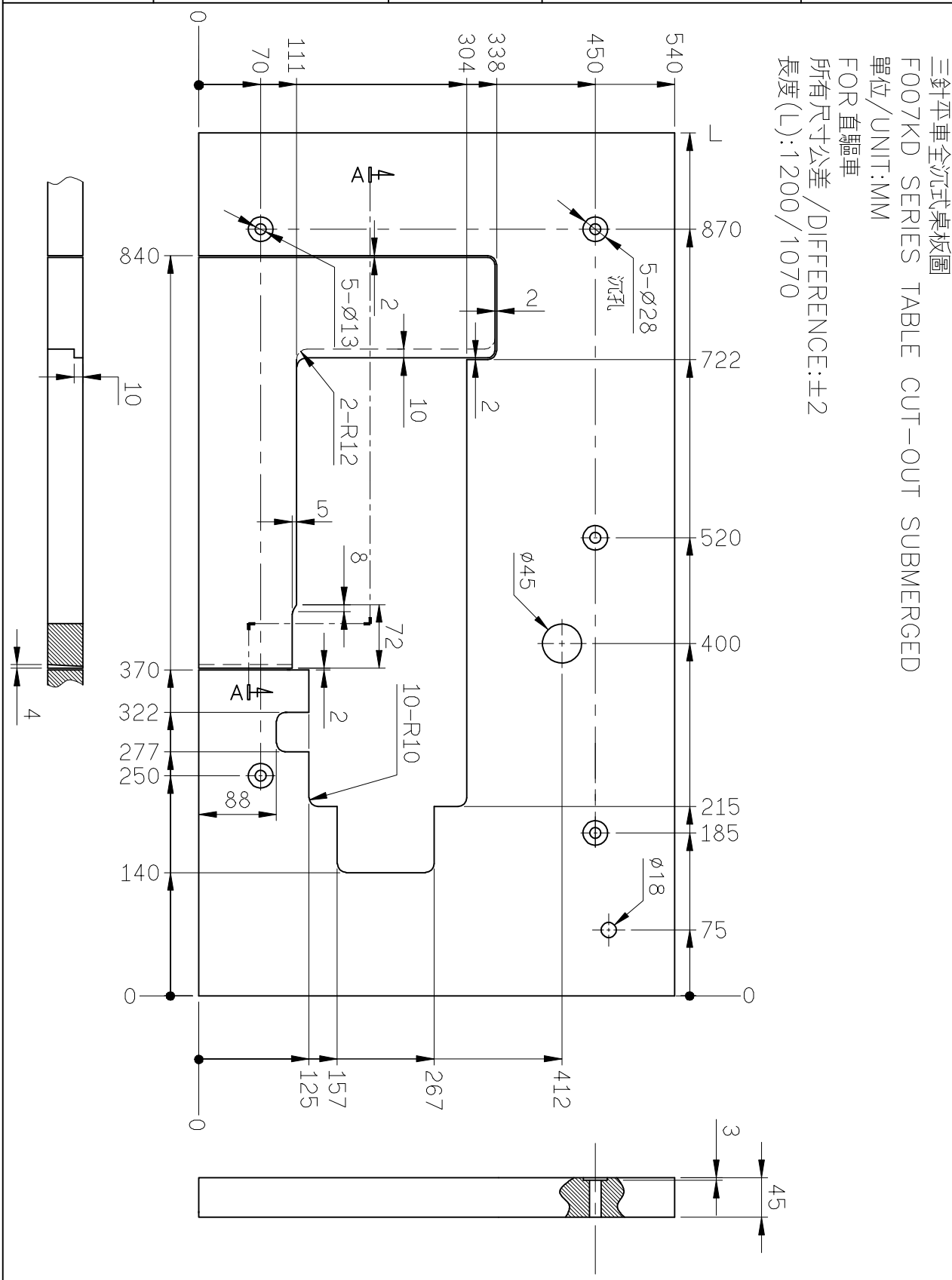
Mounting  
Semi-submerged  
Date  
**2023/10/20**

三針平車下乘式桌板  
F007KD SERIES TABLE CUT-OUT SEMI-SUBMERGED  
單位/UNIT:MM  
所有尺寸公差/DIFFERENCE:±2  
長度(L): 1200/1070  
for SILMAQ.



<b>SIRUBA</b> TABLE CUT - OUT	<b>Series</b>	<b>Item Code</b>	<b>Subclass / Remark</b>	<b>Mounting</b>
	F007KD/F858KD	F007KD-T3-1		<b>Fully-submerged</b>
				<b>Date</b>
				2023/10/19

三針平車全沉式桌板圖  
 F007KD SERIES TABLE CUT-OUT SUBMERGED  
 單位/UNIT:MM  
 FOR 直驅車  
 所有尺寸公差 / DIFFERENCE: ±2  
 長度(L): 1200/1070





**SIRUBA**

TABLE  
CUT - OUT

Series

F007KD/F858KD

Item Code

F007KD-T3-2

Subclass / Remark

Mounting

Fully-submerged

Date

2019/08/08

三針中車全沉式桌板圖  
F007KD SERIES TABLE CUT-OUT FULL-SUBMERGED  
單位/UNIT:MM  
FOR 有驅車  
所有尺寸公差 / DIFFERENCE: ±2  
全封邊灰格紋光塑面台板

