

SIRUBA

PARTS LIST

Series

F007K/F007KD

Parts Group

CFC14-A

Subclass / Remark

Page

2/2

Date

2023/09/19

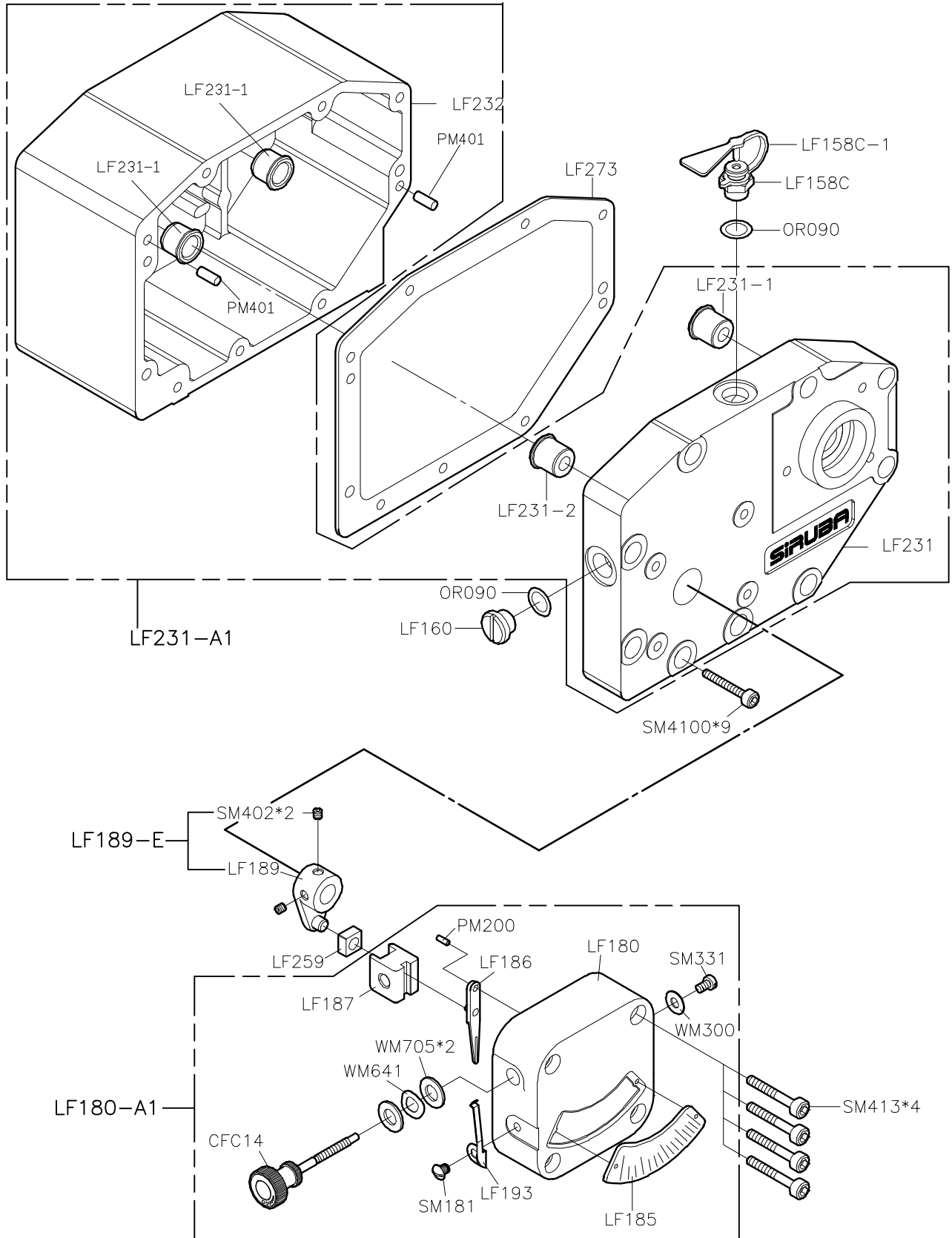
A

B

C

D

E



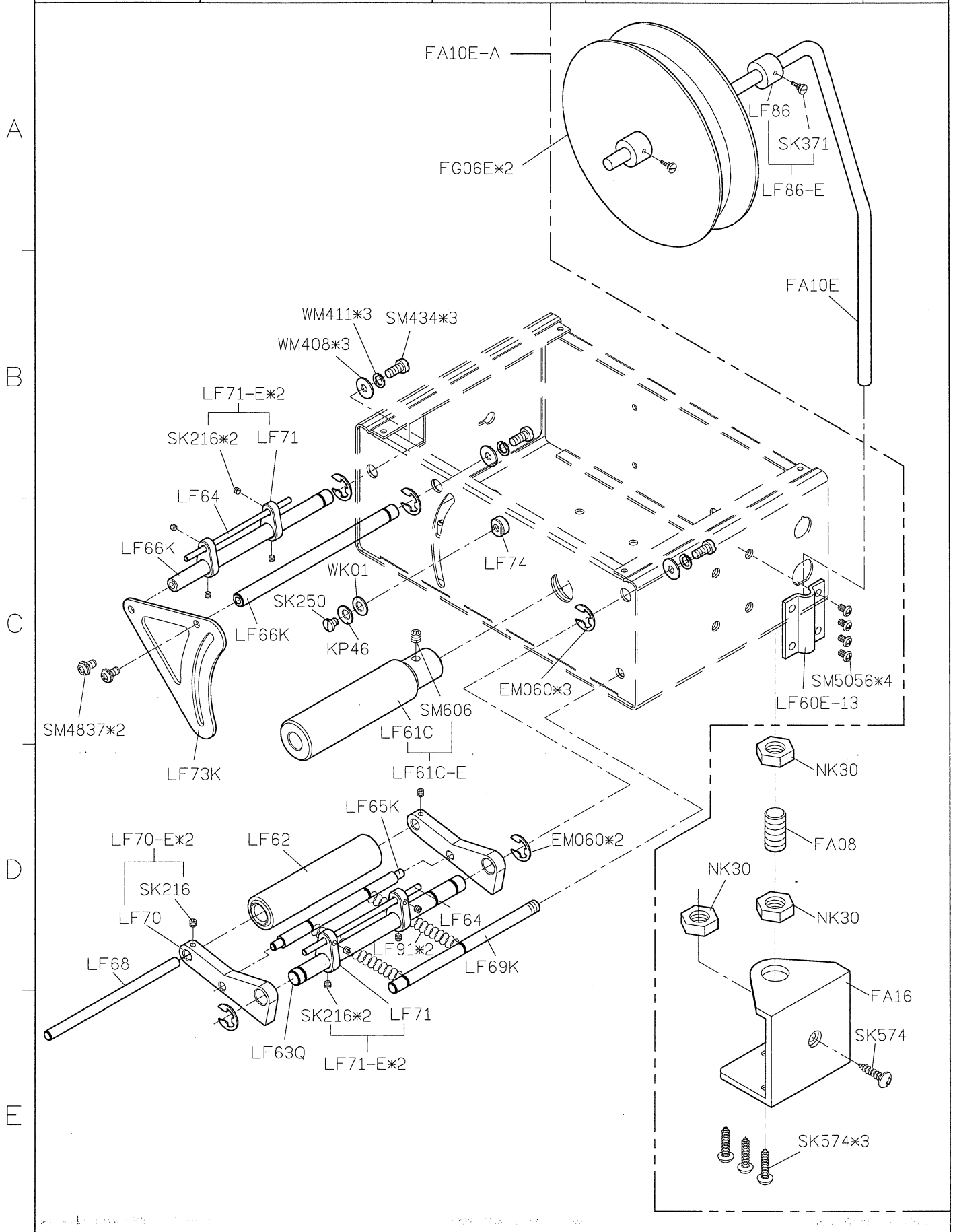
1

2

3

4

5



1

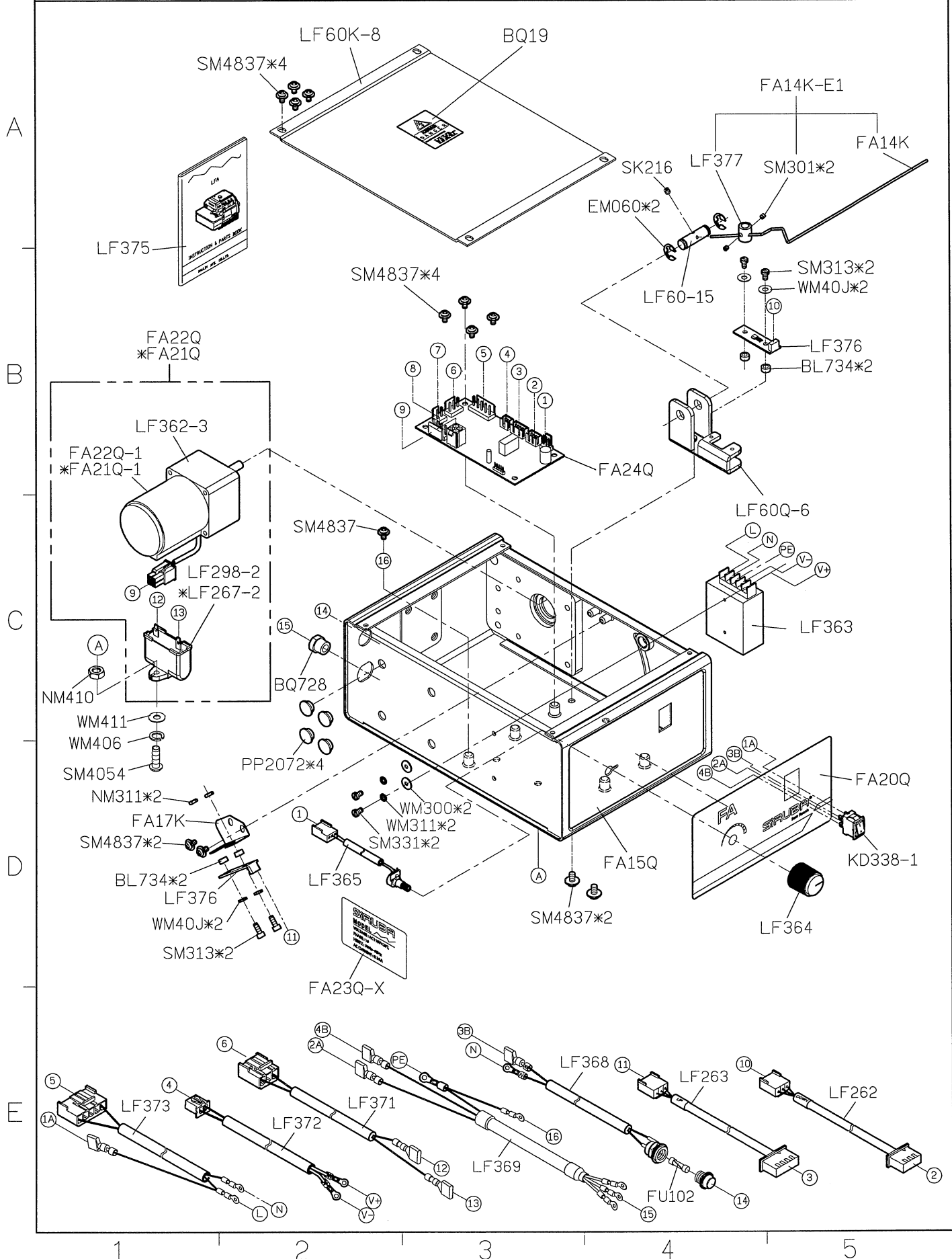
2

3

4

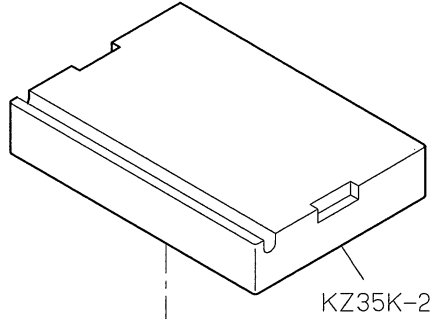
5

SIRUBA PARTS LIST	Series	Parts Group	Subclass / Remark	Page
	F007K/F007KD F858K	FA	*: Use for 110V	2/3
				Date
				2016/9/5



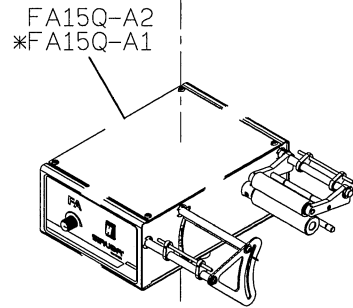
SIRUBA PARTS LIST	Series	Parts Group	Subclass / Remark	Page
	F007K/F007KD F858K	FA	*:Use for 110V	3/3
				Date 2016/9/5

A

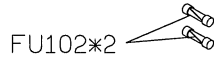


KZ35K-2

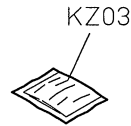
B



FA15Q-A2
*FA15Q-A1

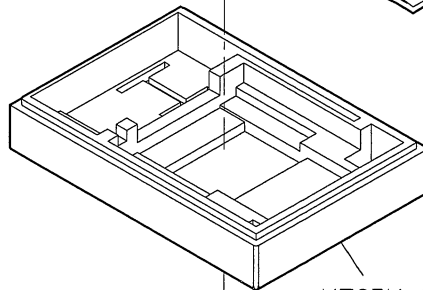


FU102*2



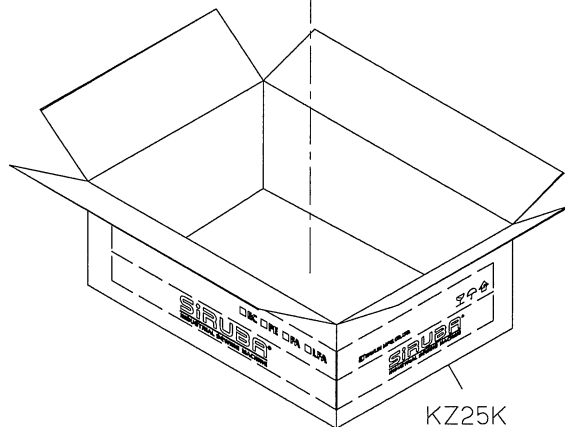
KZ03

C



KZ35K-1

D



KZ25K

E

* FOR 110V

1

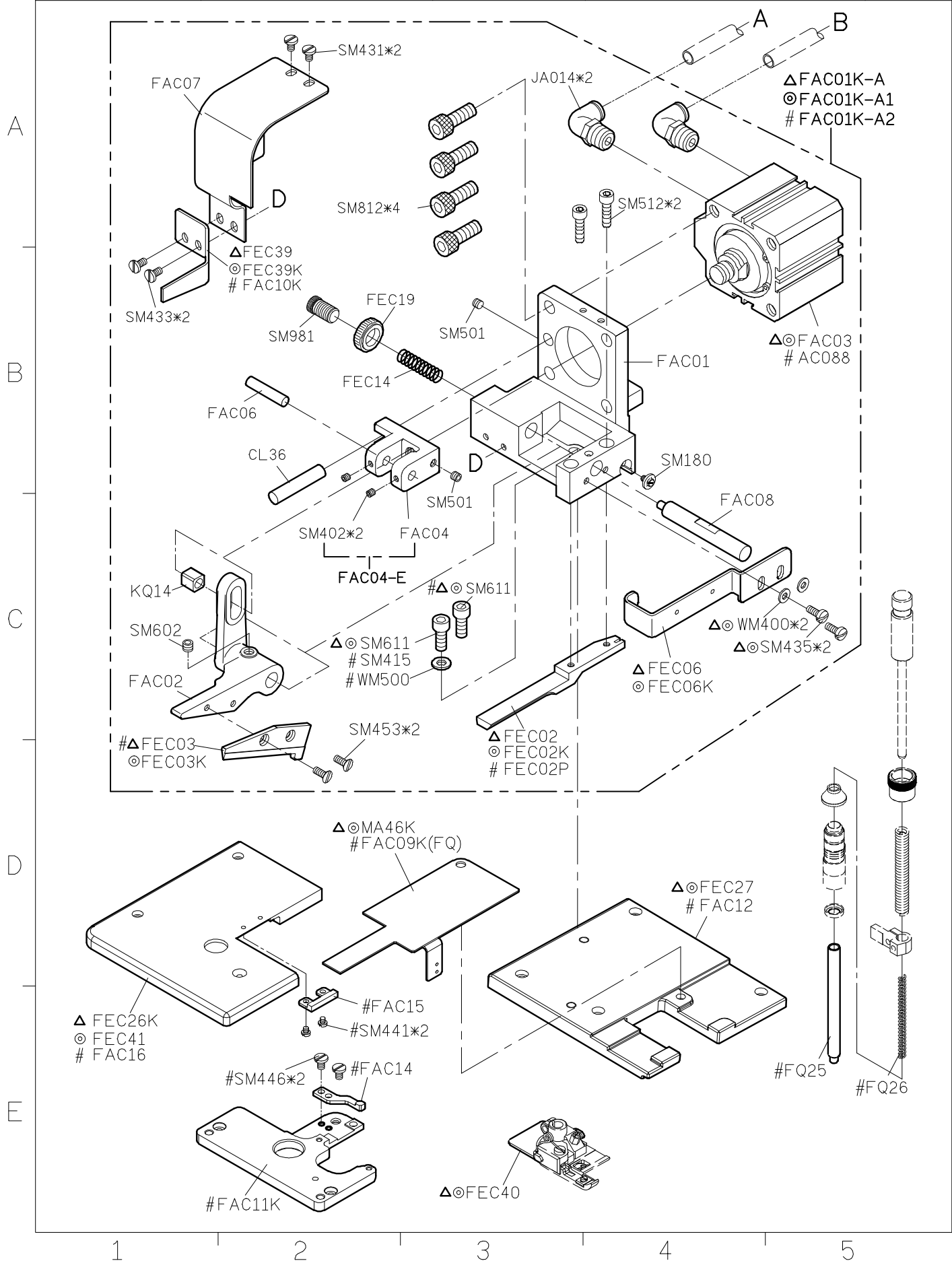
2

3

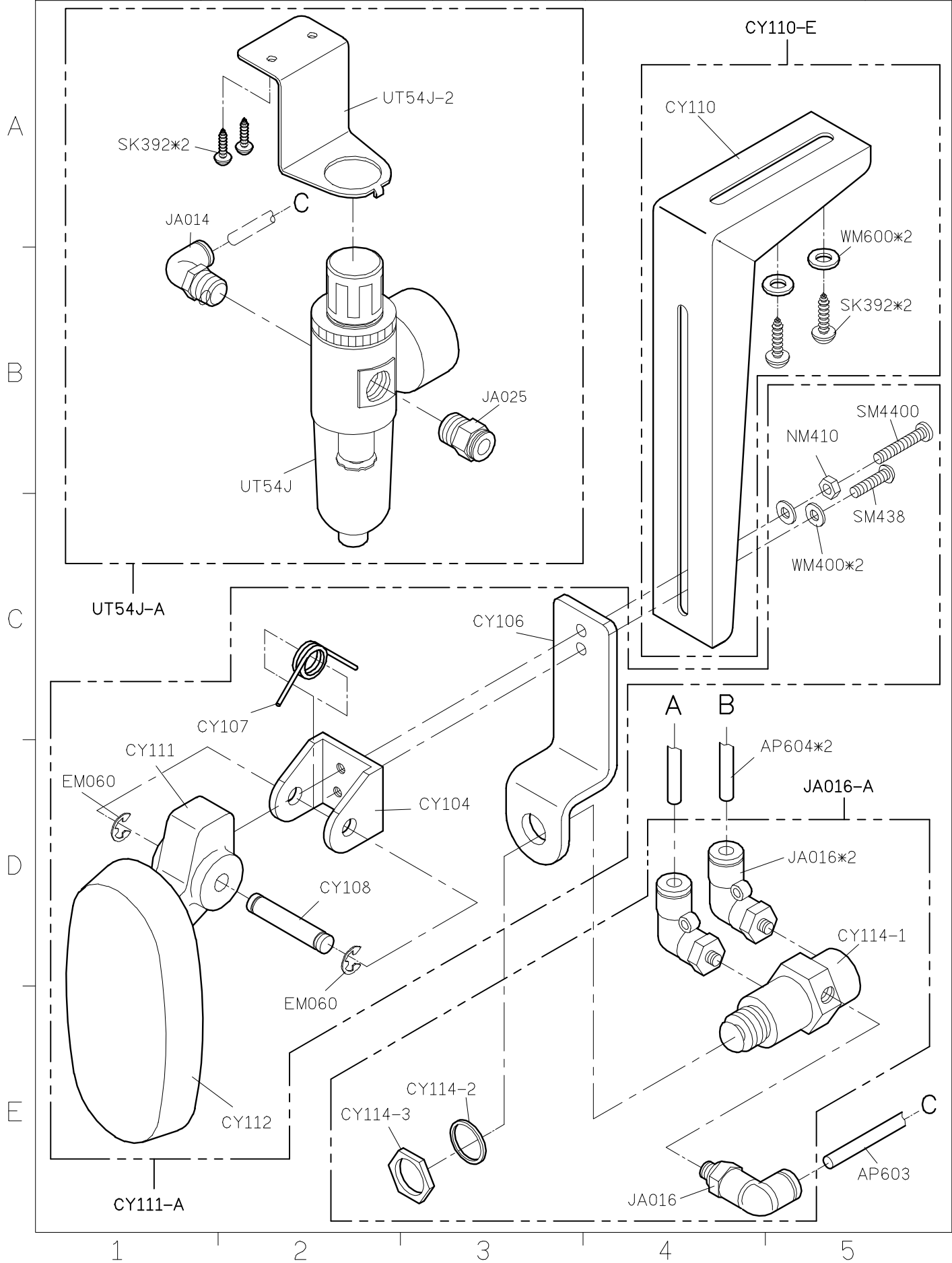
4

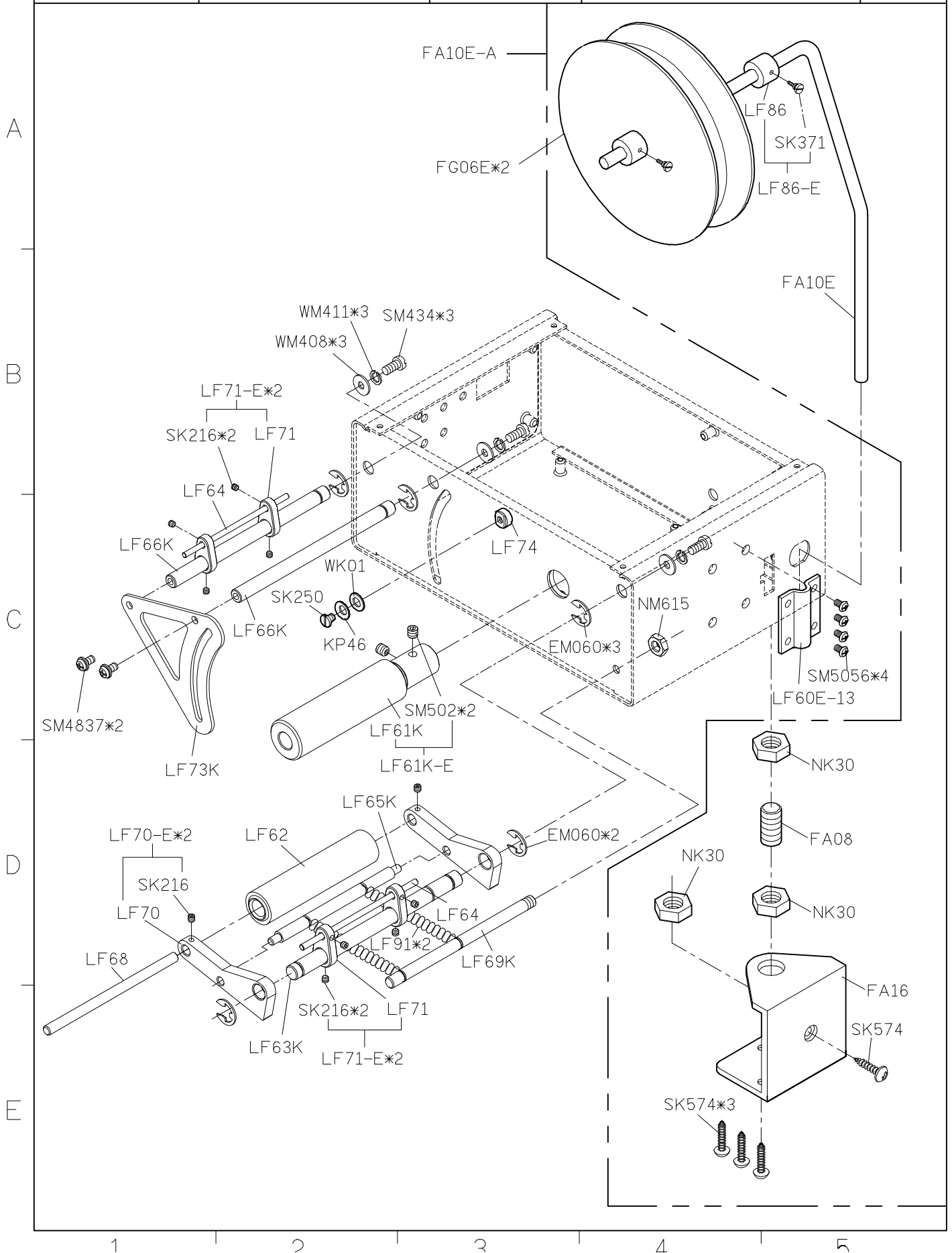
5

SIRUBA PARTS LIST	Series	Parts Group	Subclass / Remark	Page
	F007K/F007KD F858K	FAC	△ :Use for LONG KNIFE長刀 ◎ :Use for SHORT KNIFE短刀 # :Use for MINI SHORT KNIFE超短刀+FQ	1/2
				Date 2020/4/8



SIRUBA PARTS LIST	Series	Parts Group	Subclass / Remark	Page
	F007K/F007KD	FAC-K		2/2
	F858K			Date
				2020/4/8





SIRUBA
PARTS LIST

Series
F007K/F007KD
F858K/F858KD

Parts Group
FAK

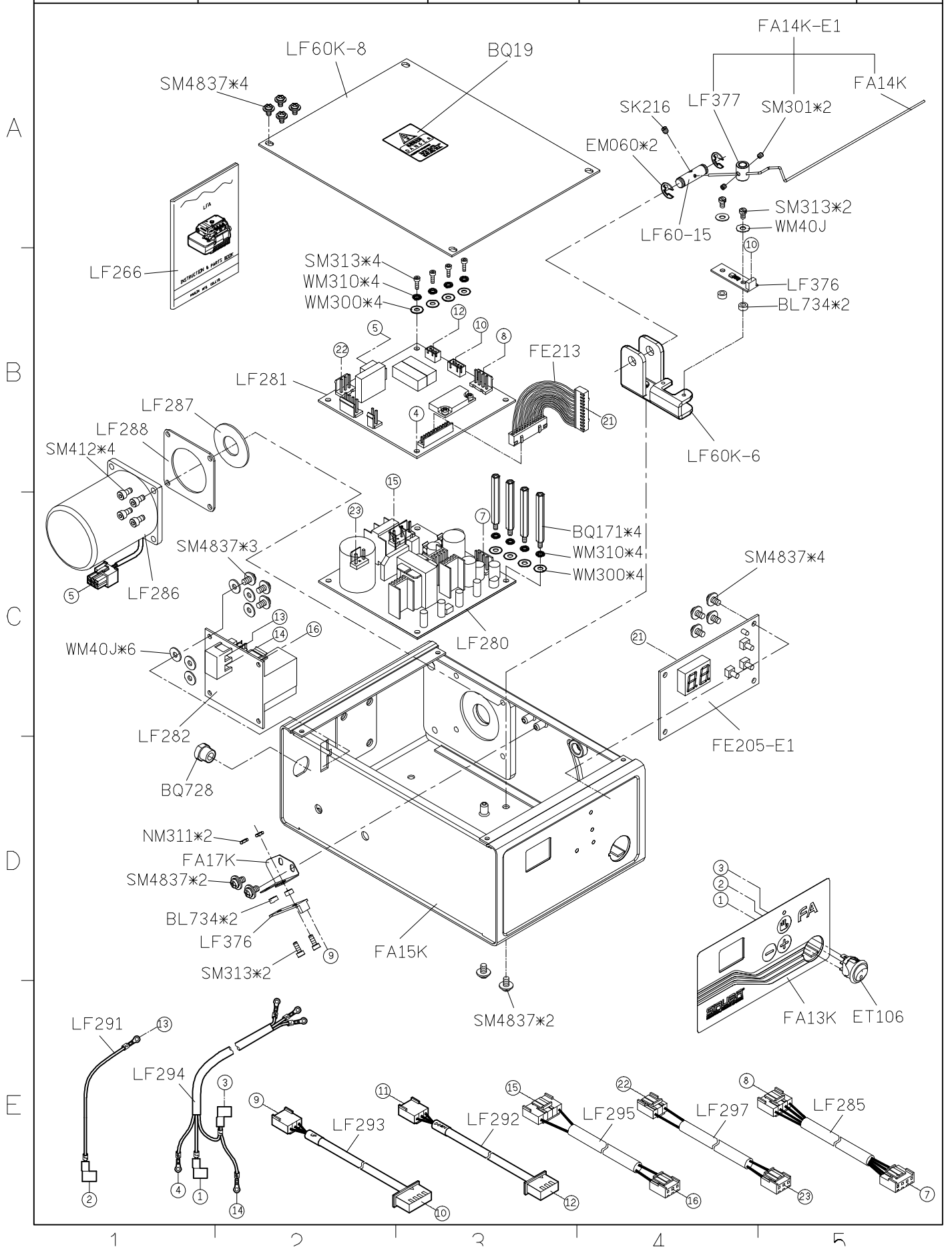
Subclass / Remark

Page

2/3

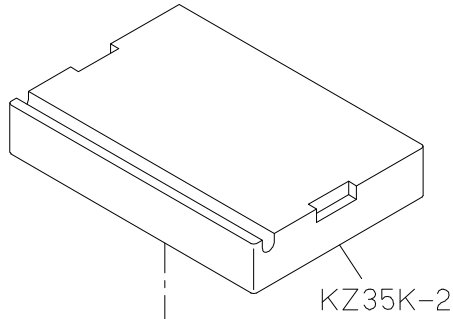
Date

2013/03/25

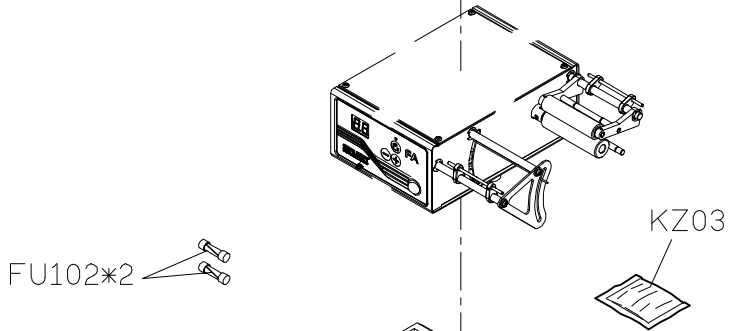


SIRUBA PARTS LIST	Series	Parts Group	Subclass / Remark	Page
	F007K/F007KD	FAK		3/3
	F858K/F858KD			Date
				2013/03/25

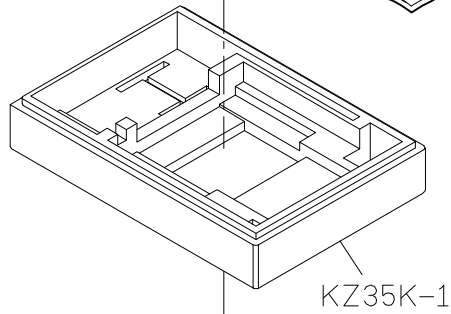
A



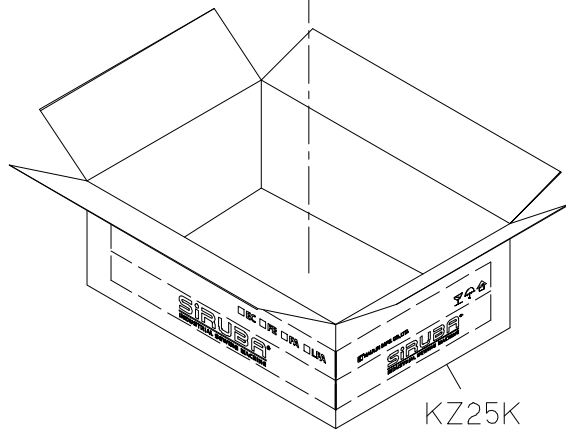
B



C



D



E

1

2

3

4

5

SIRUBA PARTS LIST	Series	Parts Group	Subclass / Remark	Page
	F007K/F007KD F858K	FBP-K		1/1
				Date
				2016/9/5

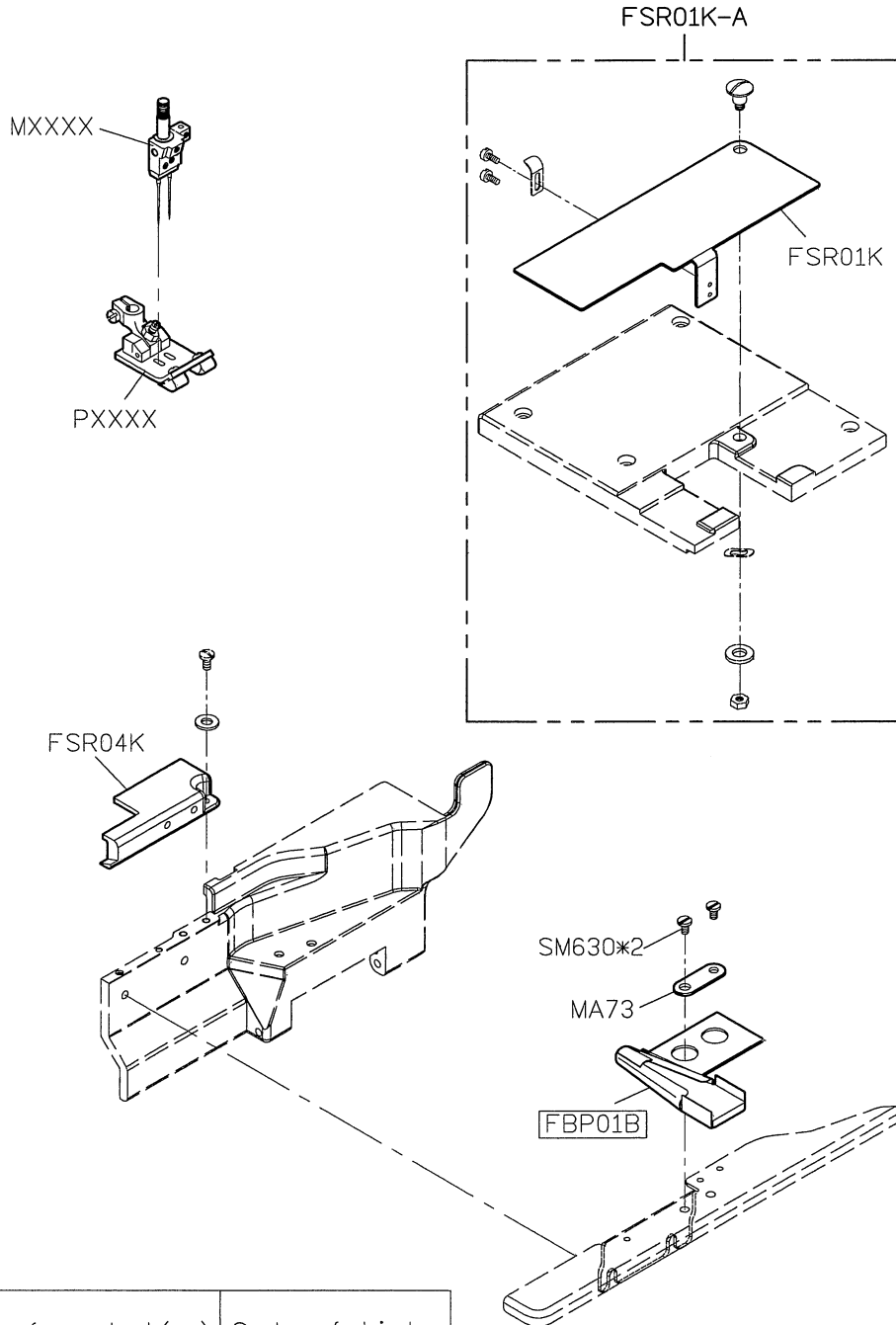
A

B

C

D

E



Stitch length	Size of product(mm)	Code of binder
5.6	9	FBP01A
5.6	10	FBP01B
6.4	12	FBP01C

1

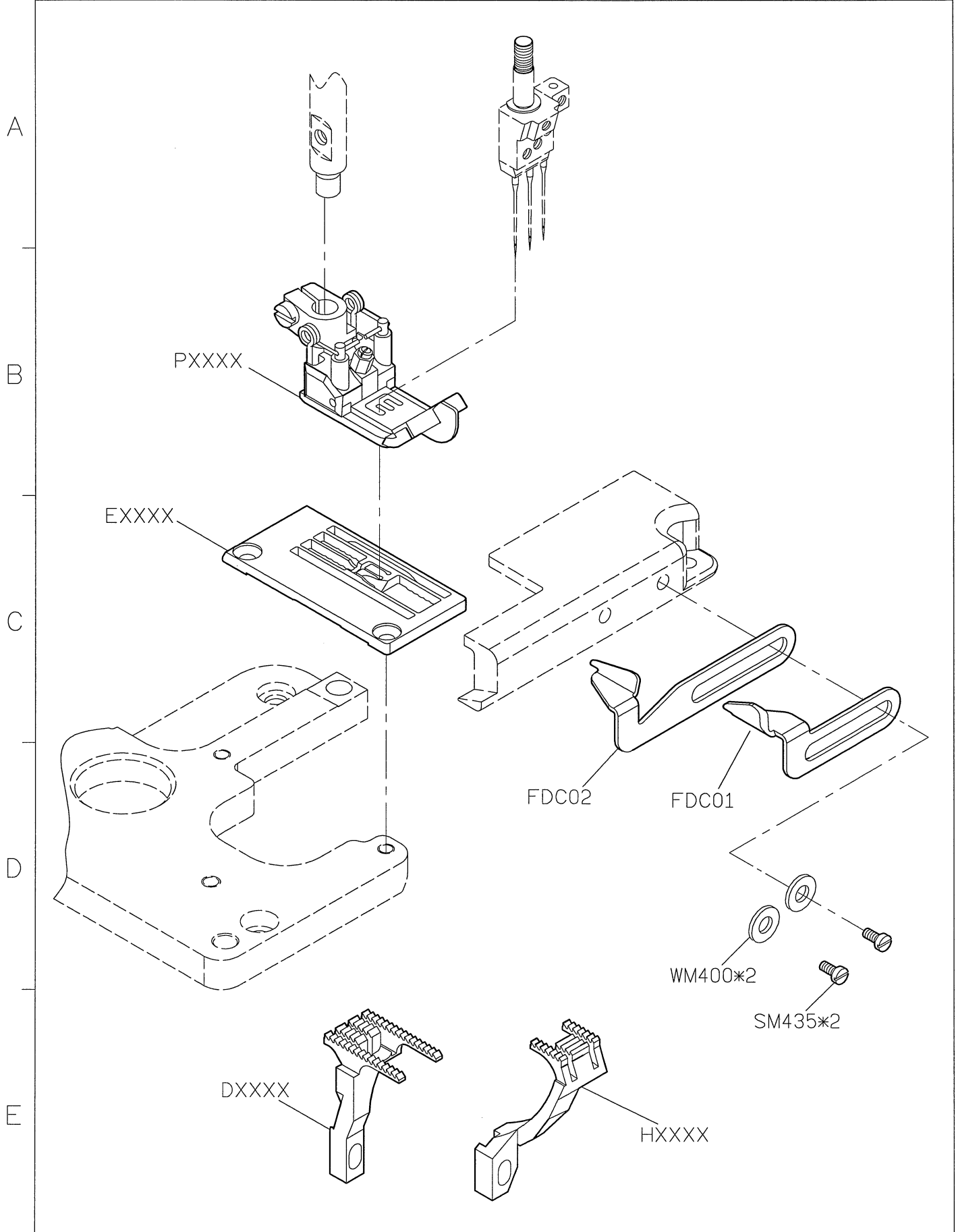
2

3

4

5

SIRUBA PARTS LIST	Series	Parts Group	Subclass / Remark	Page
	F007K/F007KD F858K	FDC-K		1/1
				Date
				2016/9/5



1

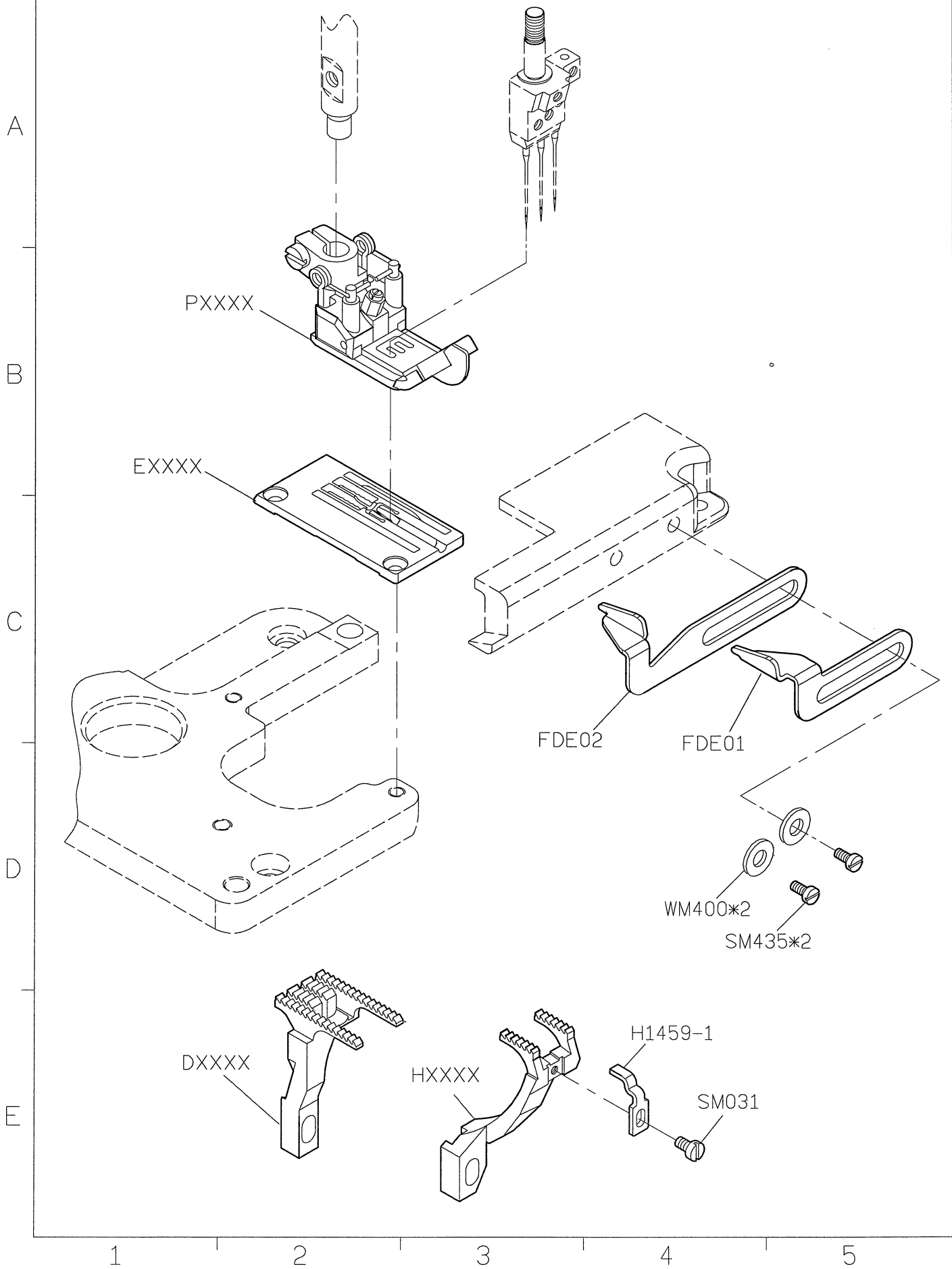
2

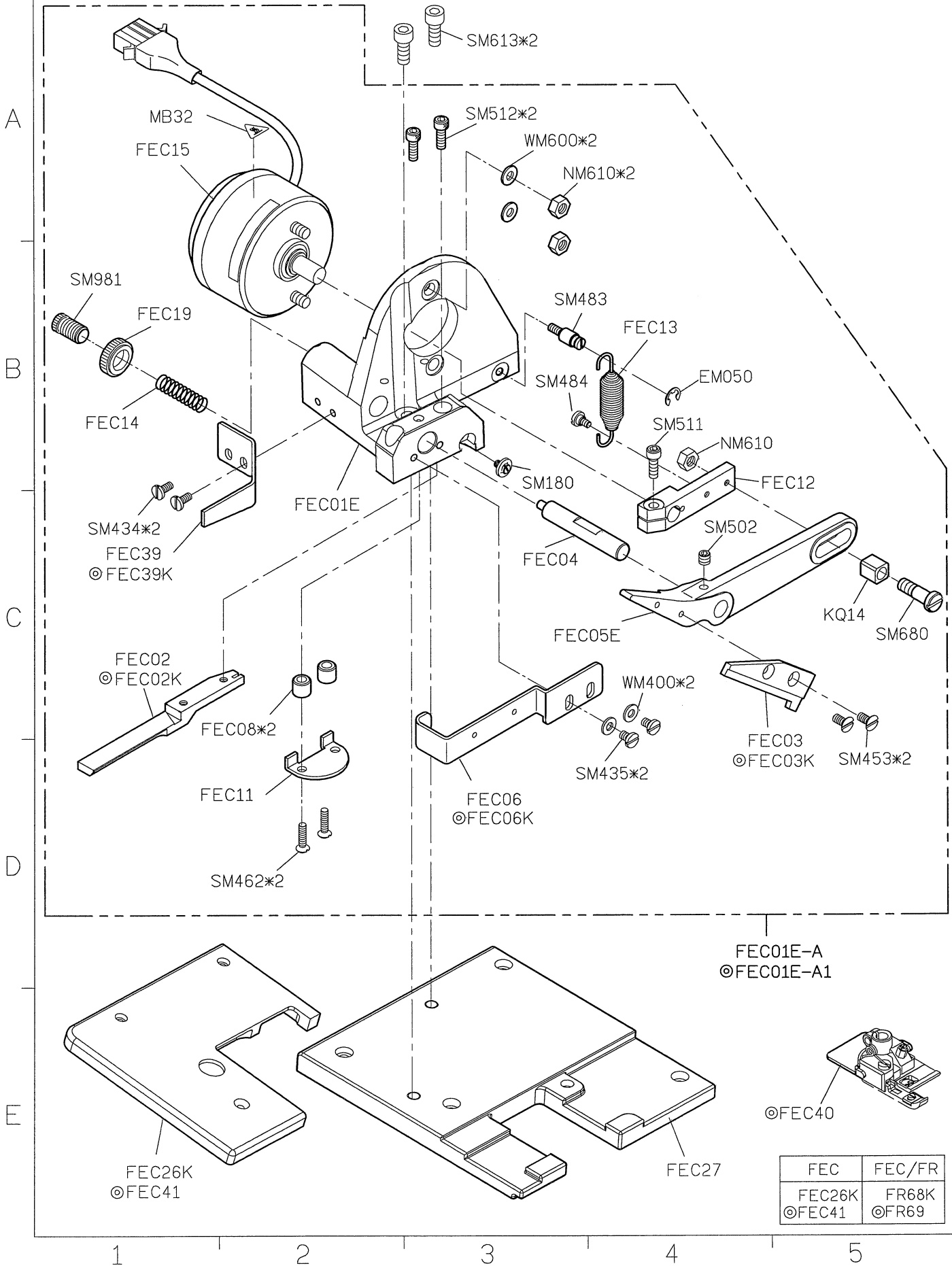
3

4

5

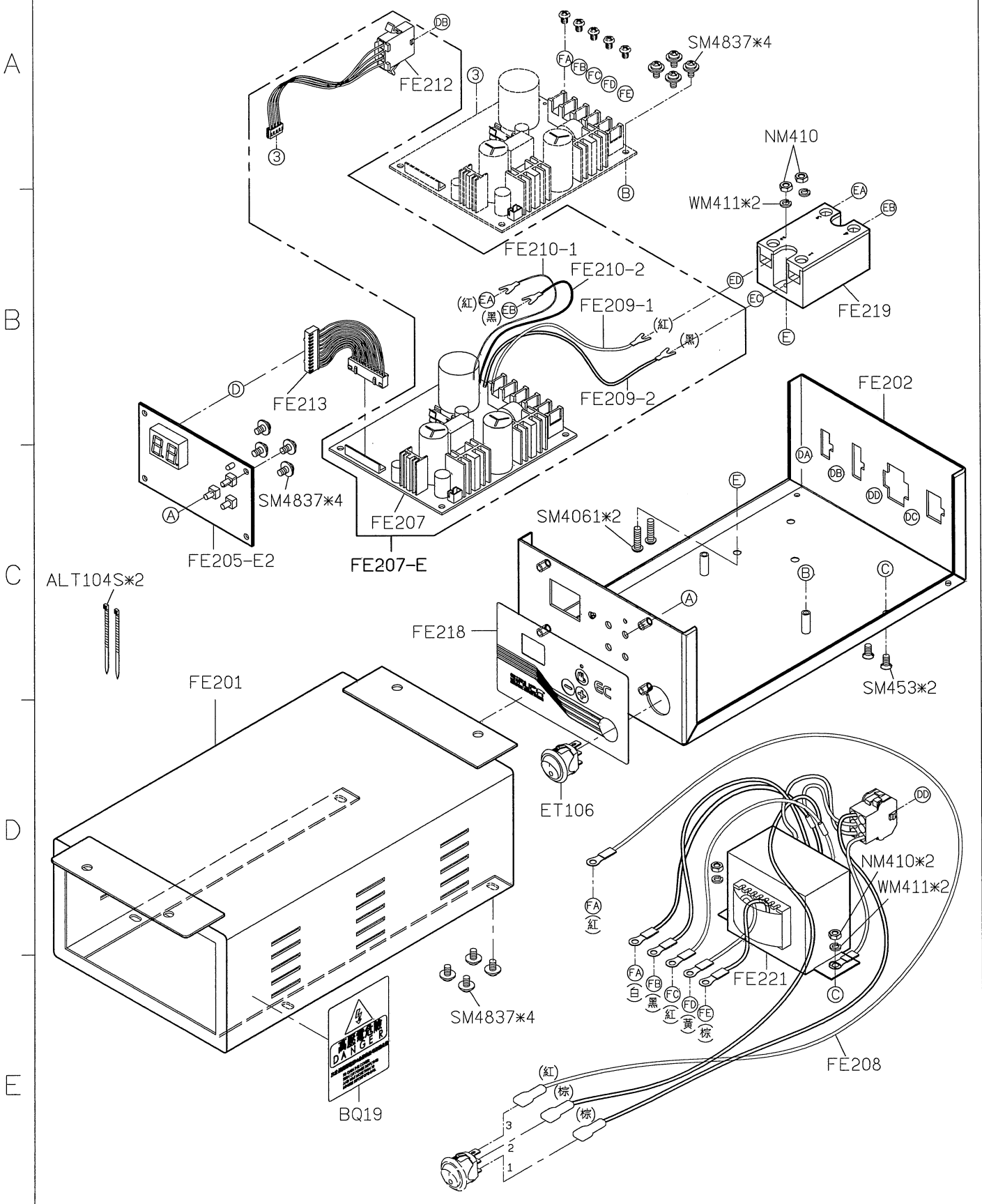
SIRUBA PARTS LIST	Series	Parts Group	Subclass / Remark	Page
	F007K/F007KD F858K	FDE-K		1/1
				Date
				2016/9/5





SIRUBA PARTS LIST	Series	Parts Group	Subclass / Remark	Page
	F007K/F007KD F858K	FEC-K		2/4
				Date
				2016/9/5

FE202-A



1 2 3 4 5

SIRUBA PARTS LIST	Series	Parts Group	Subclass / Remark	Page
	F007K/F007KD F858K	FEC-K		3/4
				Date
				2016/9/5

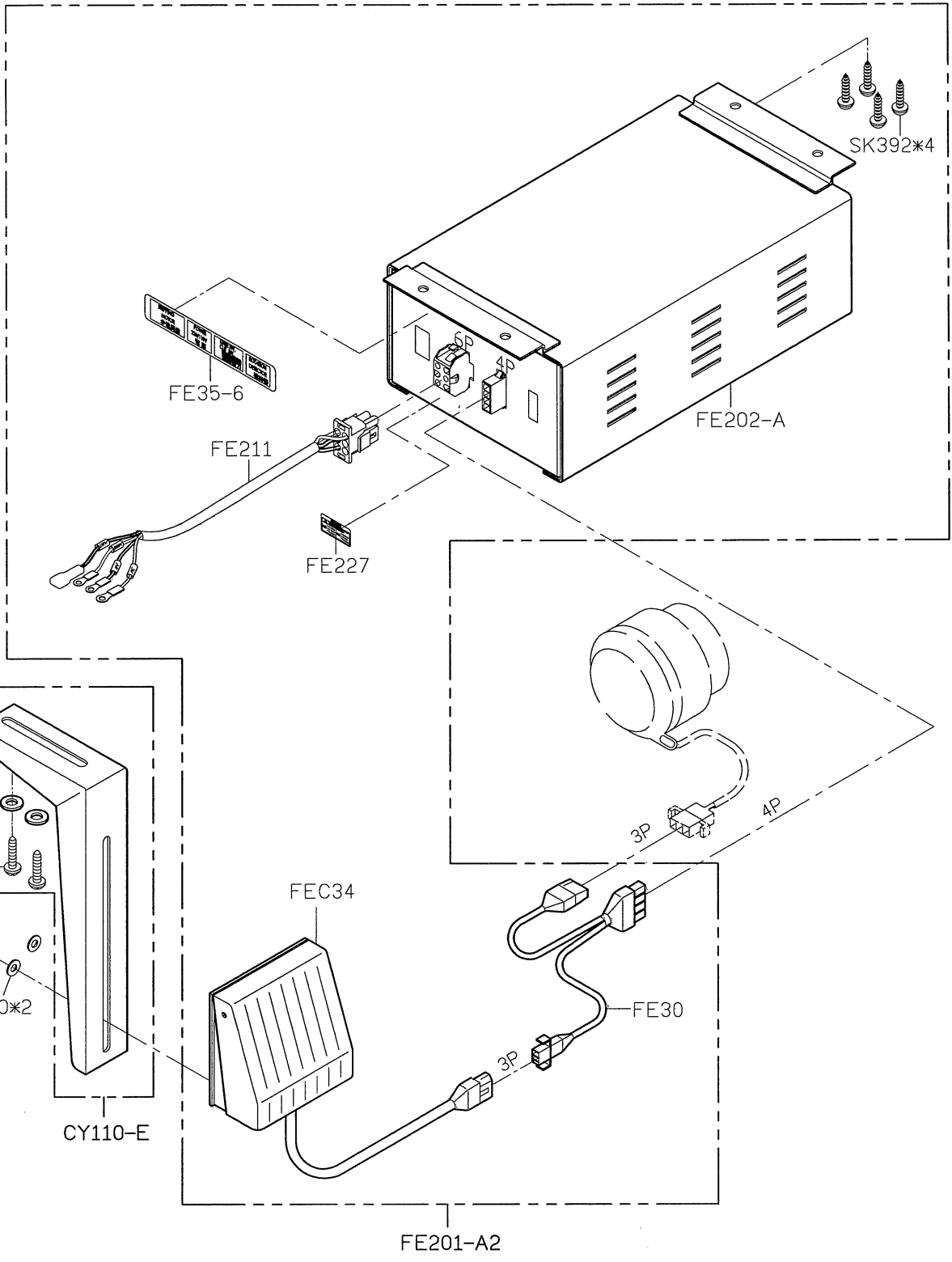
A

B

C

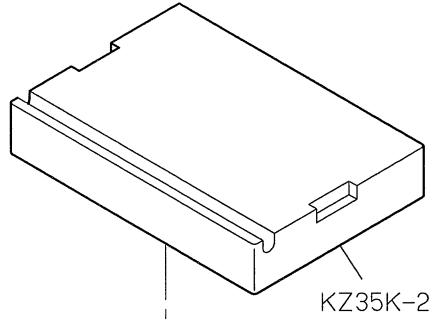
D

E

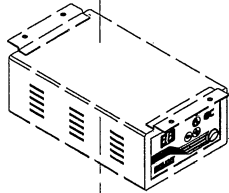


SIRUBA PARTS LIST	Series	Parts Group	Subclass / Remark	Page
	F007K/F007KD F858K	FEC-K		4/4
				Date
				2016/9/5

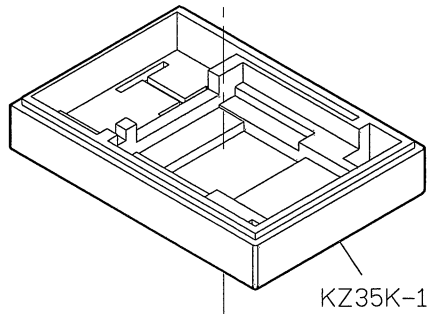
A



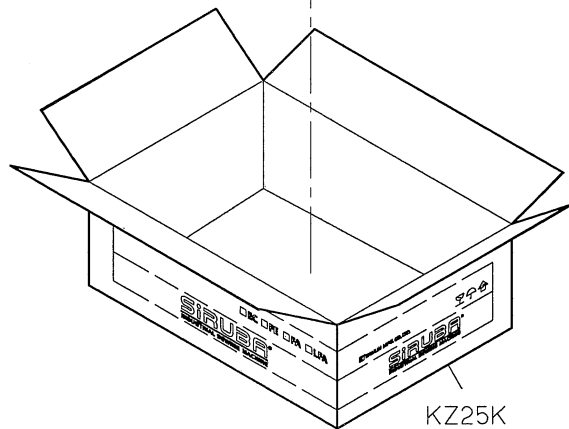
B



C



D



E

1

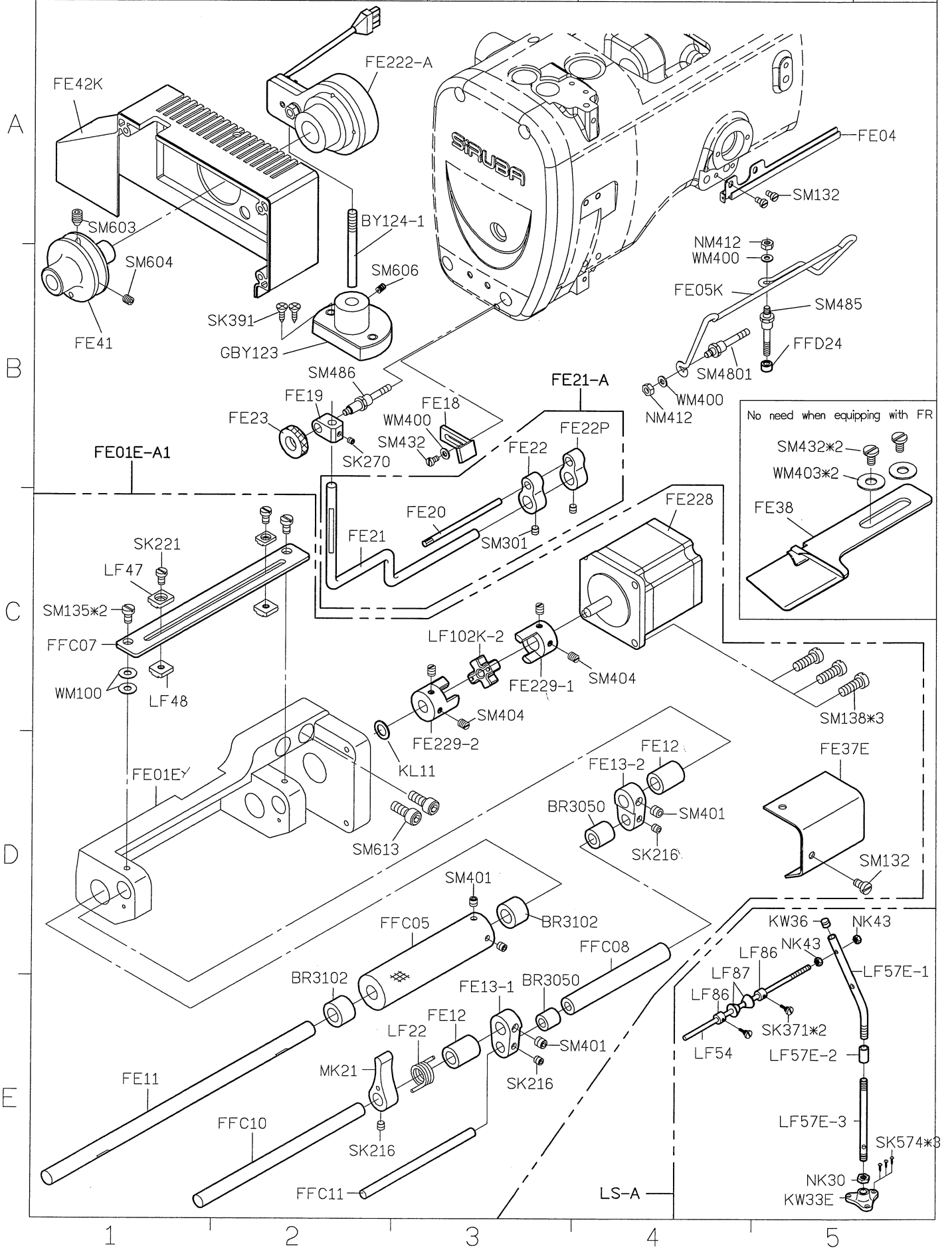
2

3

4

5

SIRUBA PARTS LIST	Series	Parts Group	Subclass / Remark	Page
	F007K/F007KD F858K	FE-K	Not for Direct-Drive Motor	1/3
				Date 2016/9/5



FE202-A1

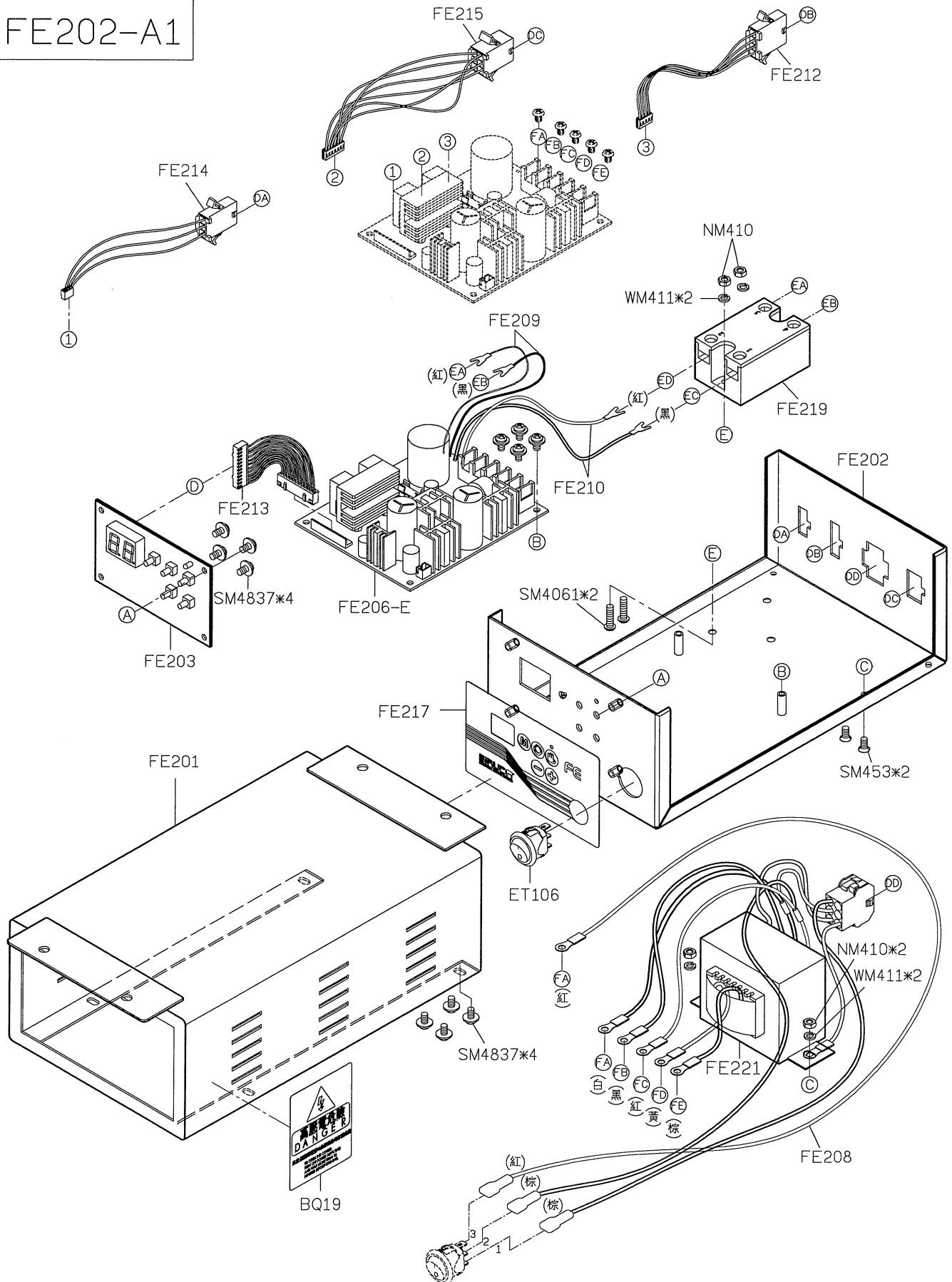
A

B

C

D

E



1

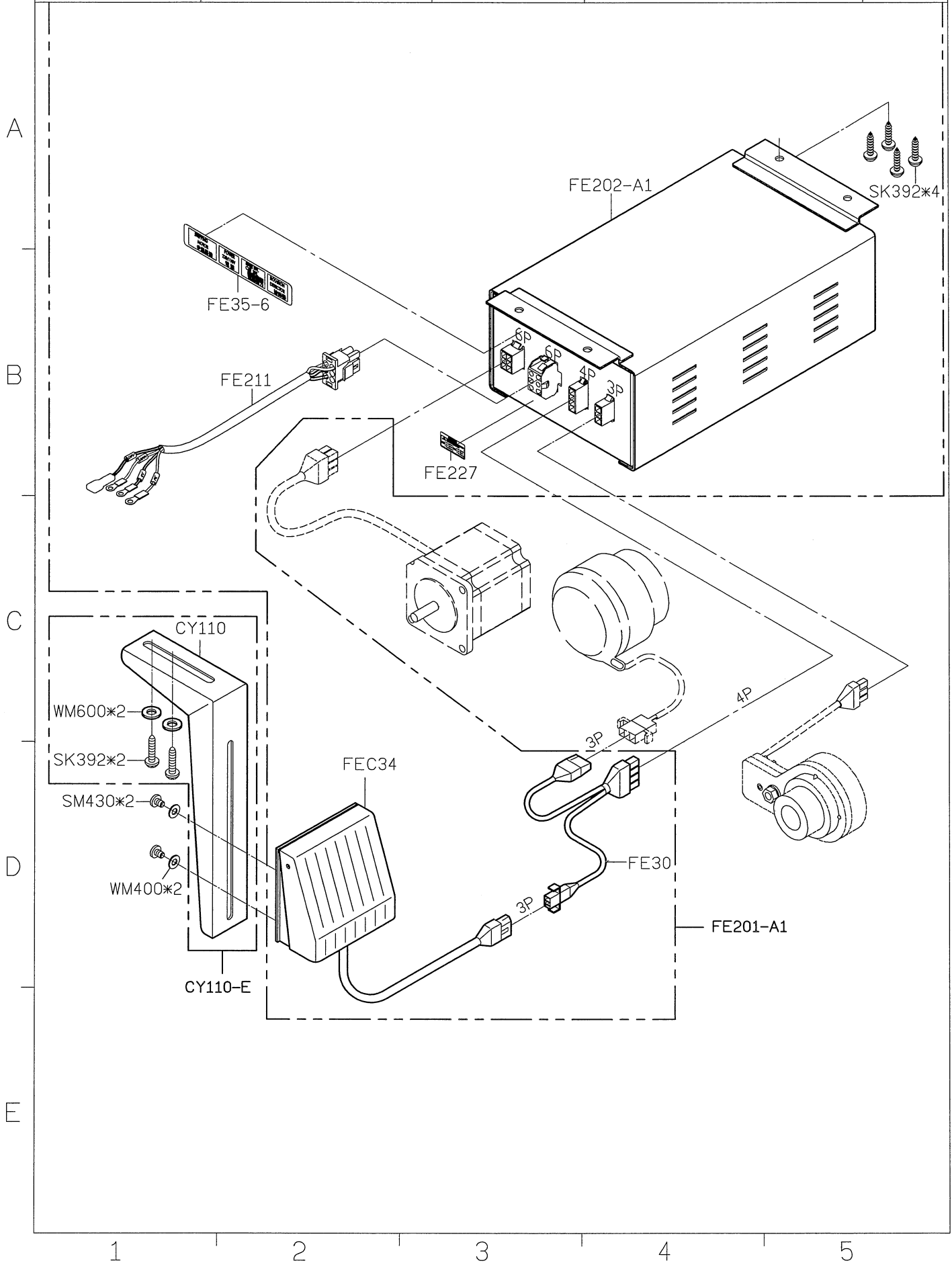
2

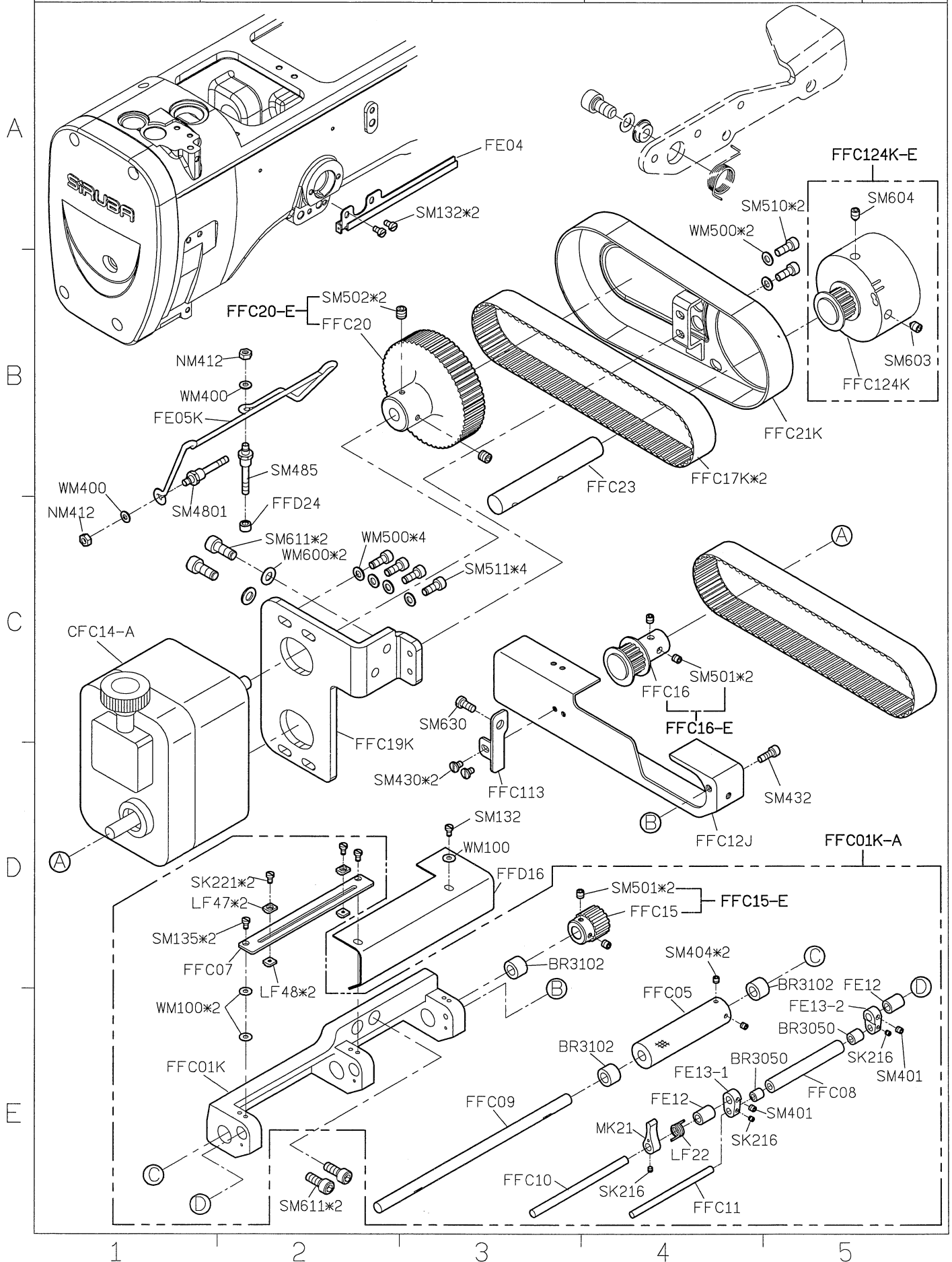
3

4

5

SIRUBA PARTS LIST	Series	Parts Group	Subclass / Remark	Page
	F007K/F007KD F858K	FE-K	Not for Direct-Drive Motor	3/3
				Date
				2016/9/5





SIRUBA

PARTS LIST

Series

F007K/F007KD
F858K

Parts Group

FFD-K

Subclass / Remark

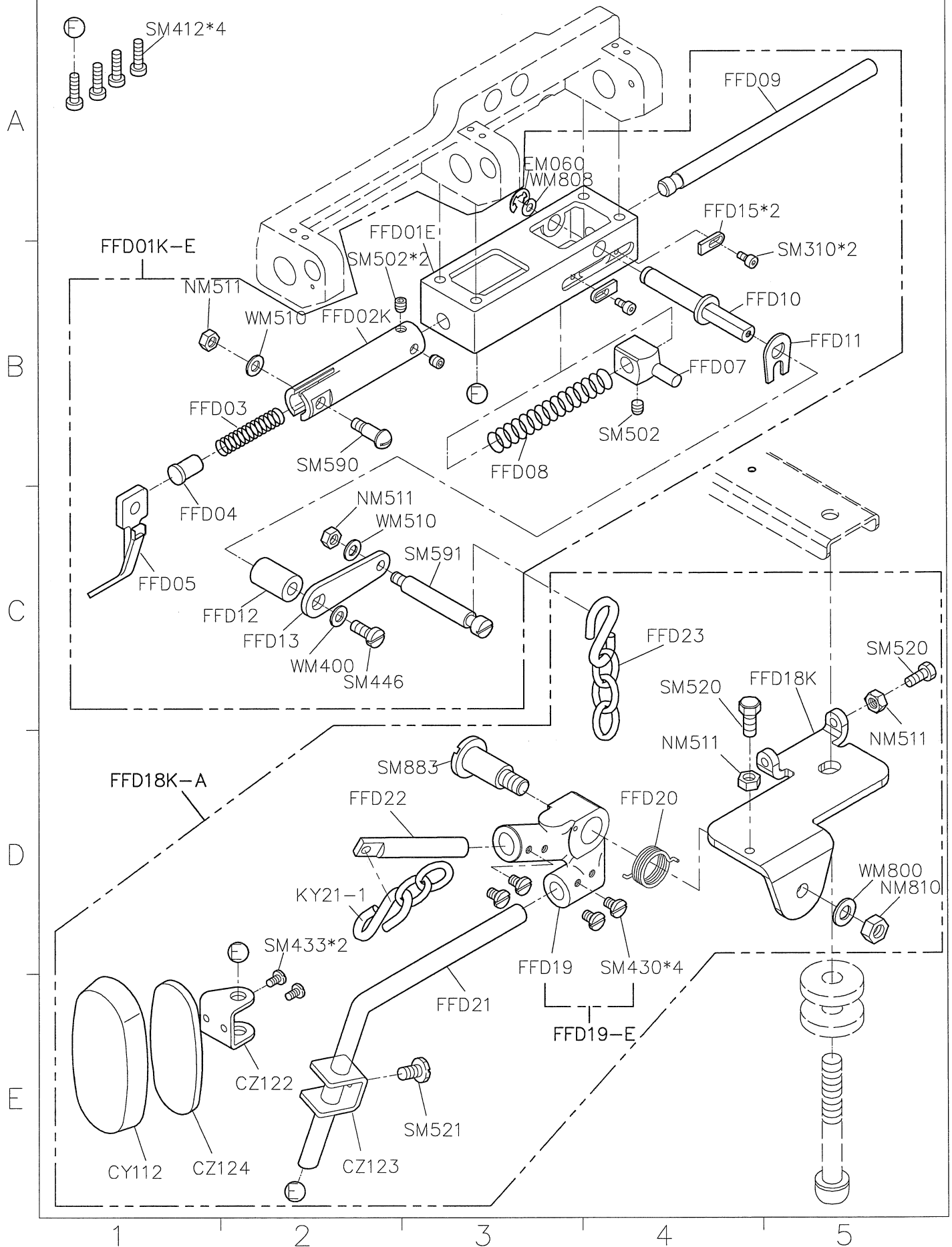
Not for Direct-Drive Motor

Page

2/3

Date

2015/9/5



SIRUBA

PARTS LIST

Series

F007K/F007KD
F858K

Parts Group

FFD-K

Subclass / Remark

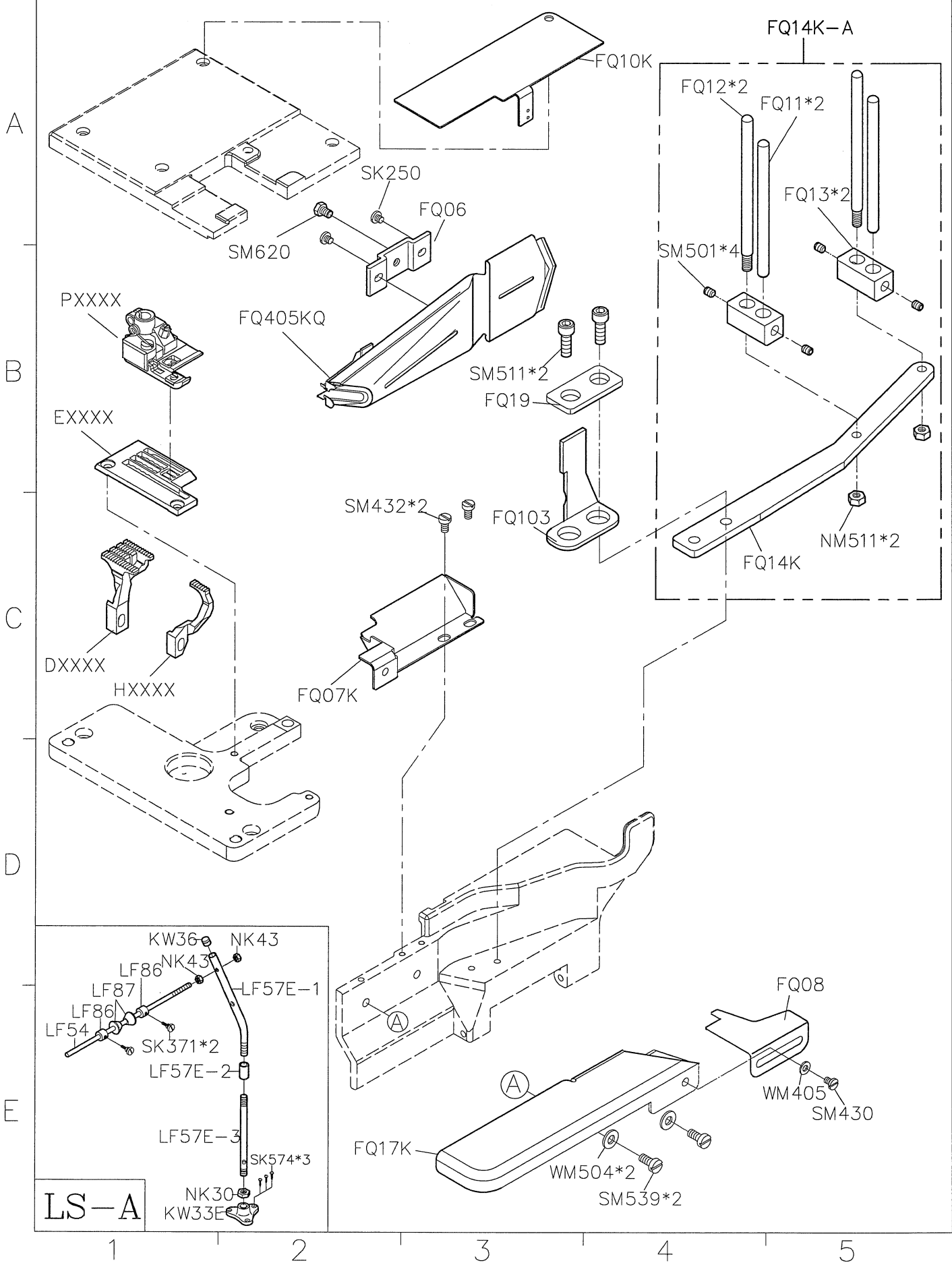
Not for Direct-Drive Motor

Page

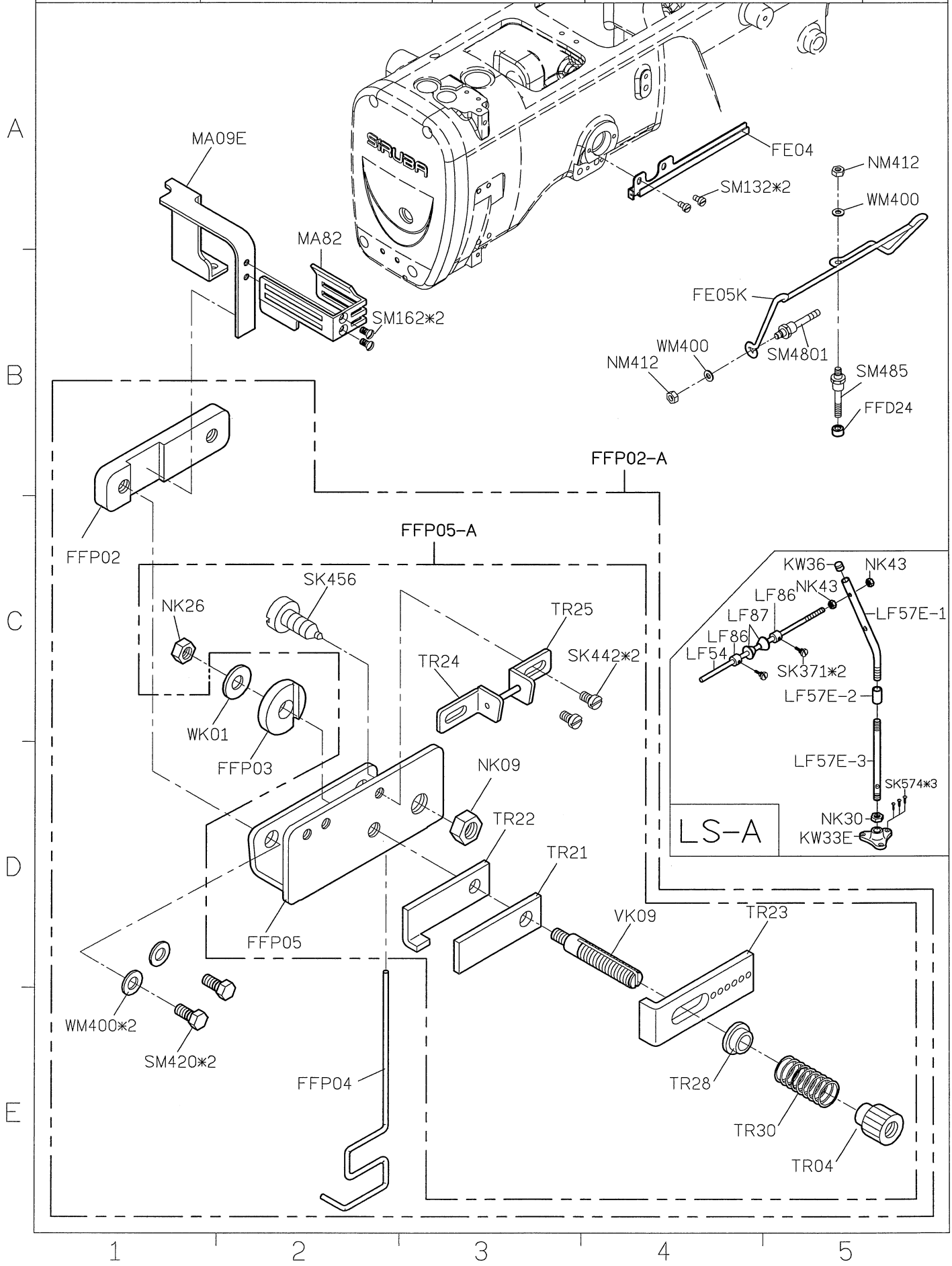
3/3

Date

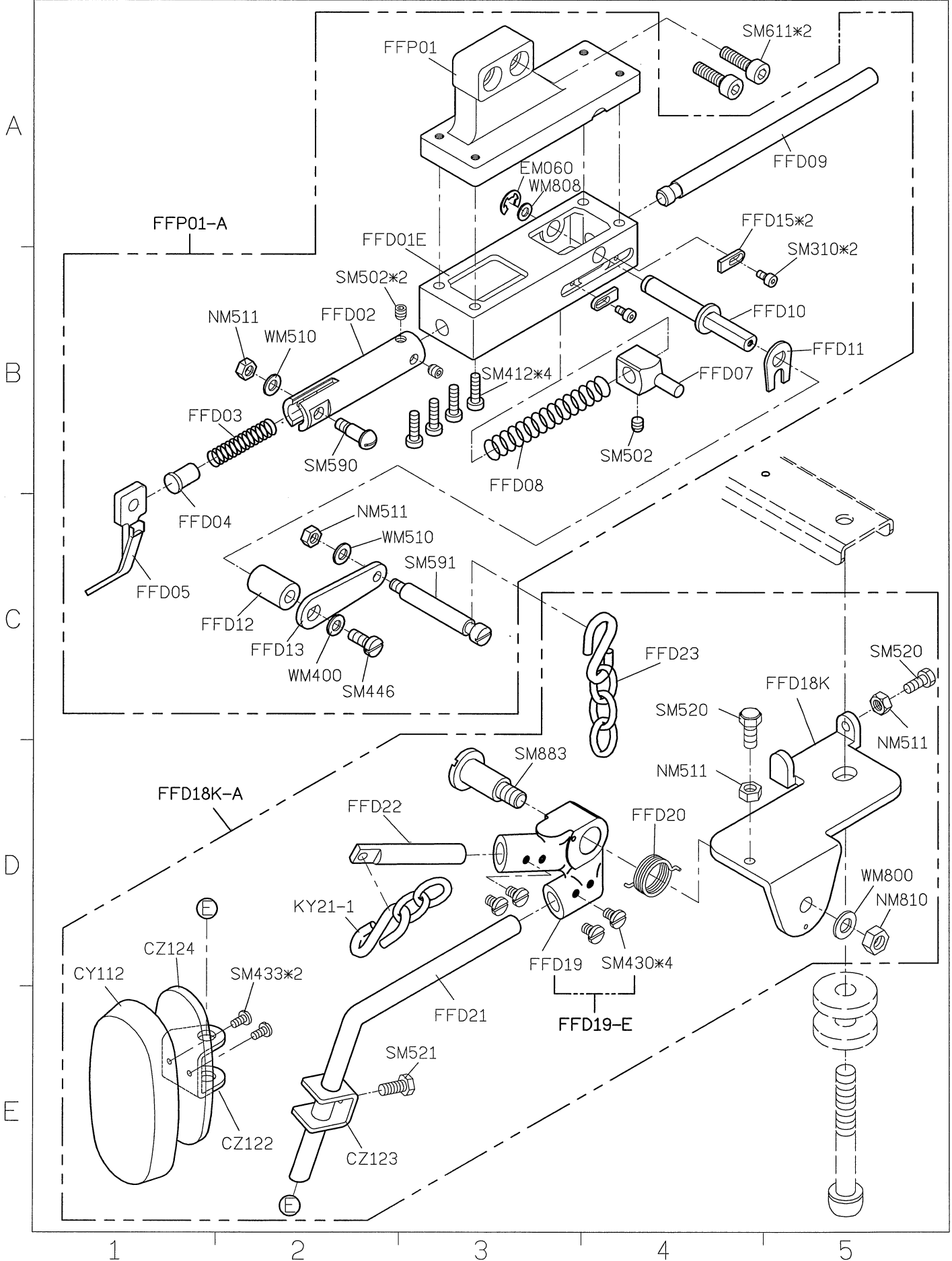
2015/9/5



SIRUBA PARTS LIST	Series	Parts Group	Subclass / Remark	Page
	F007K/F007KD F858K	FFP-K		1/3
				Date
				2016/9/5



SIRUBA PARTS LIST	Series	Parts Group	Subclass / Remark	Page
	F007K/F007KD F858K	FFP-K		2/3
				Date
				2016/9/5



SIRUBA

PARTS LIST

Series
**F007K/F007KD
F858K**

Parts Group
FFP-K

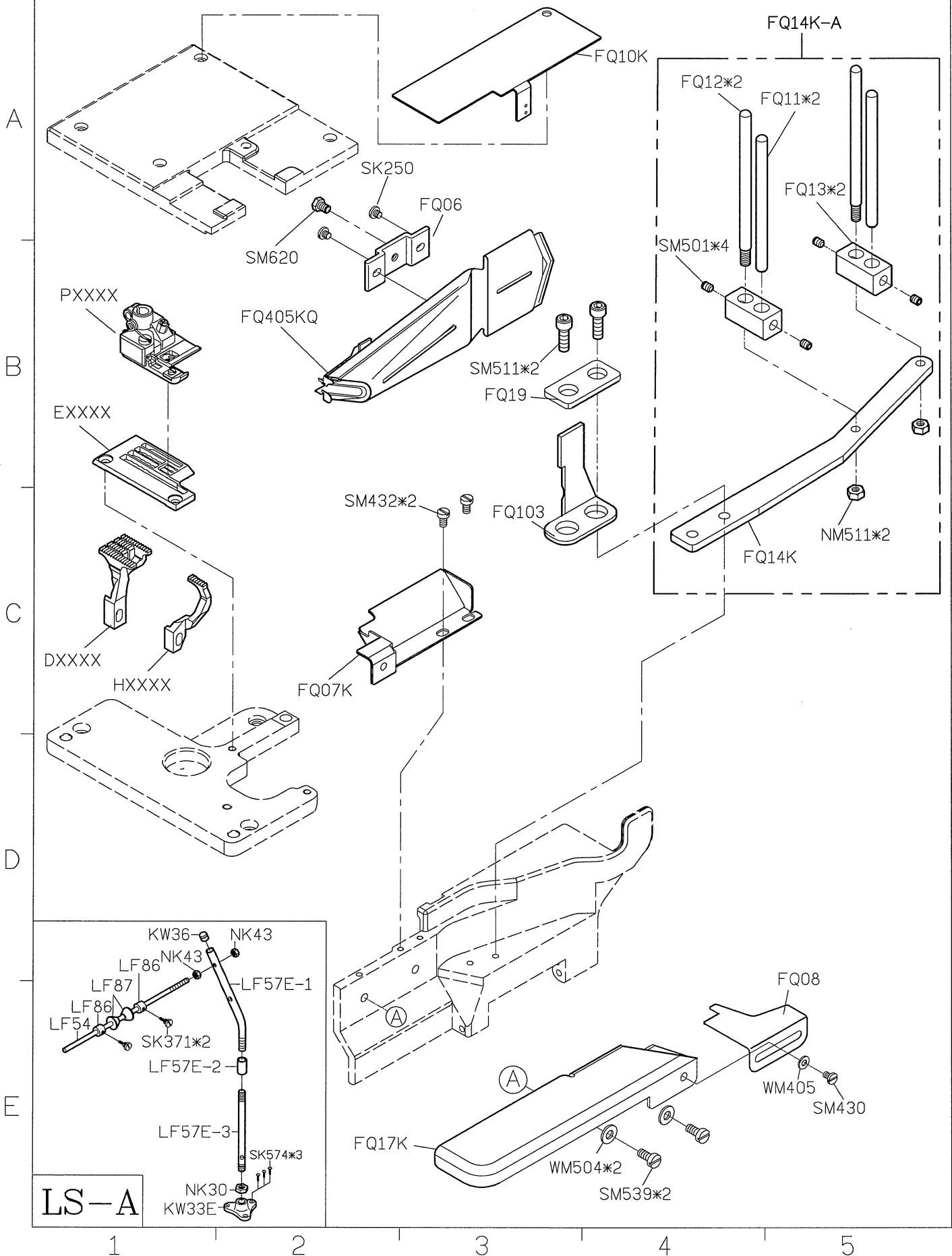
Subclass / Remark

Page

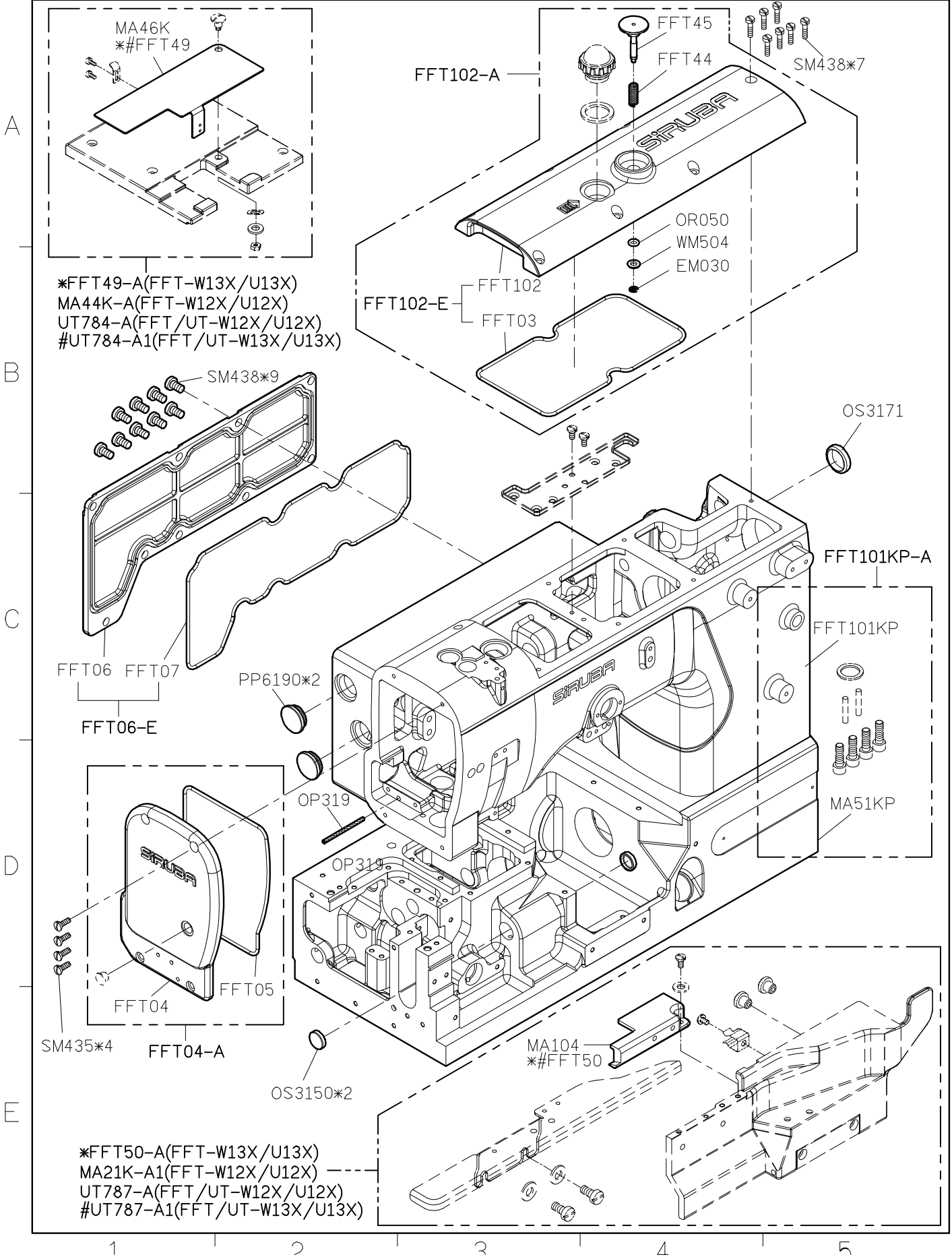
3/3

Date

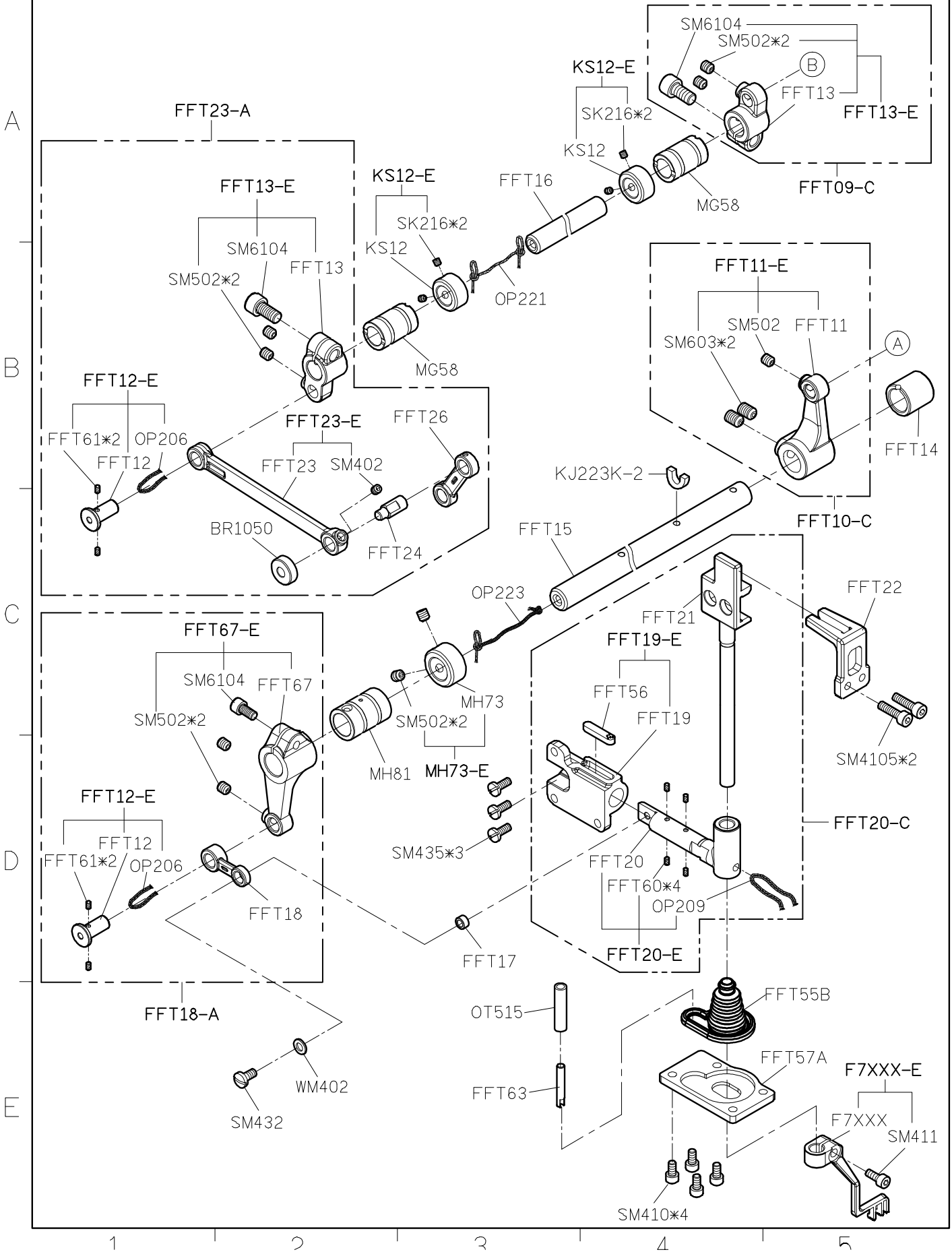
2016/9/5



SIRUBA PARTS LIST	Series	Parts Group	Subclass / Remark	Page
	F007KD	FFT	With Direct-Drive Motor	1/7
				Date
				2024/6/28



SIRUBA PARTS LIST	Series	Parts Group	Subclass / Remark	Page
	F007KD	FFT	With Direct-Drive Motor	2/7
				Date
				2024/6/28



SIRUBA

PARTS LIST

Series

F007KD

Parts Group

FFT

Subclass / Remark

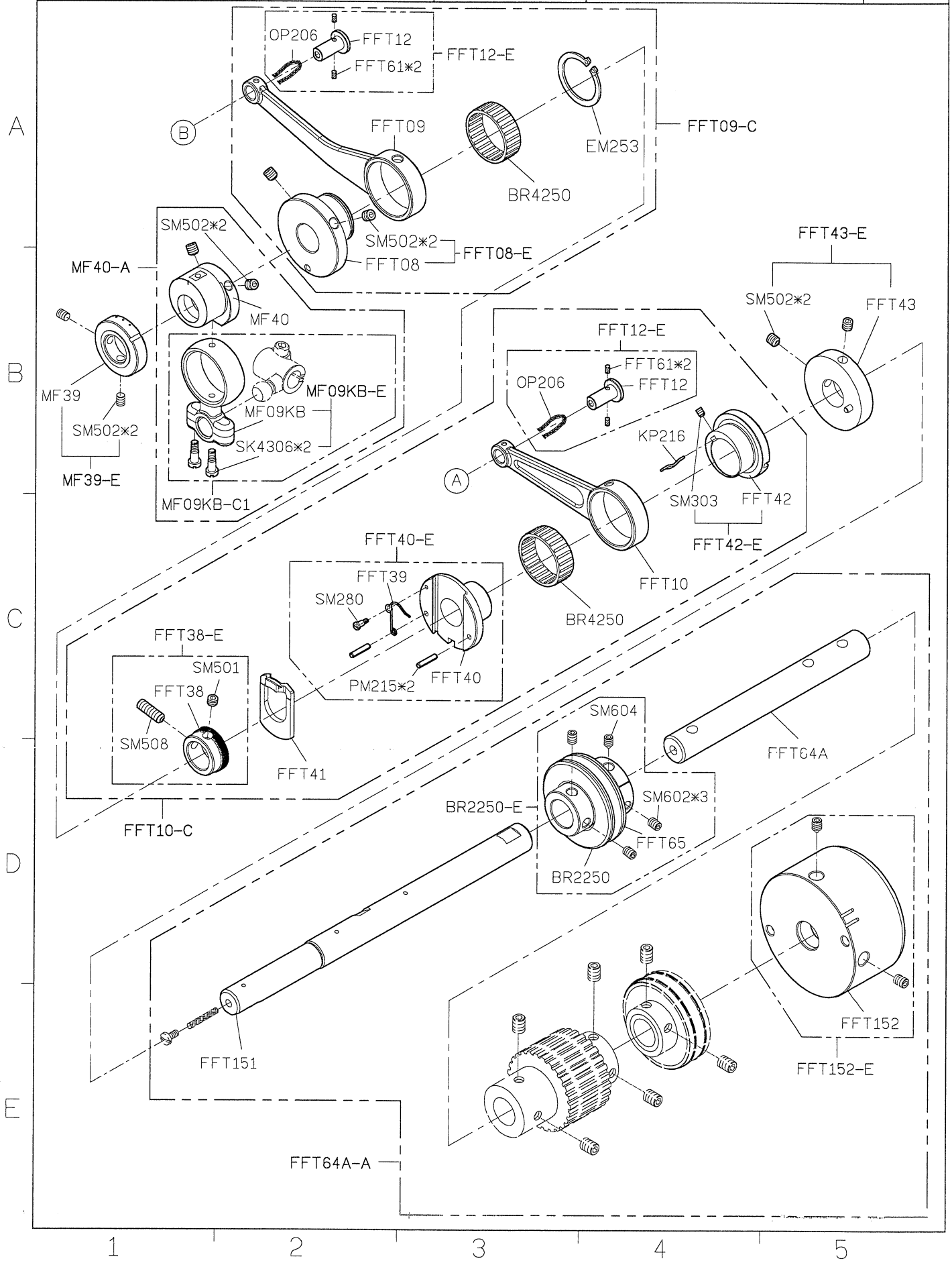
With Direct-Drive Motor

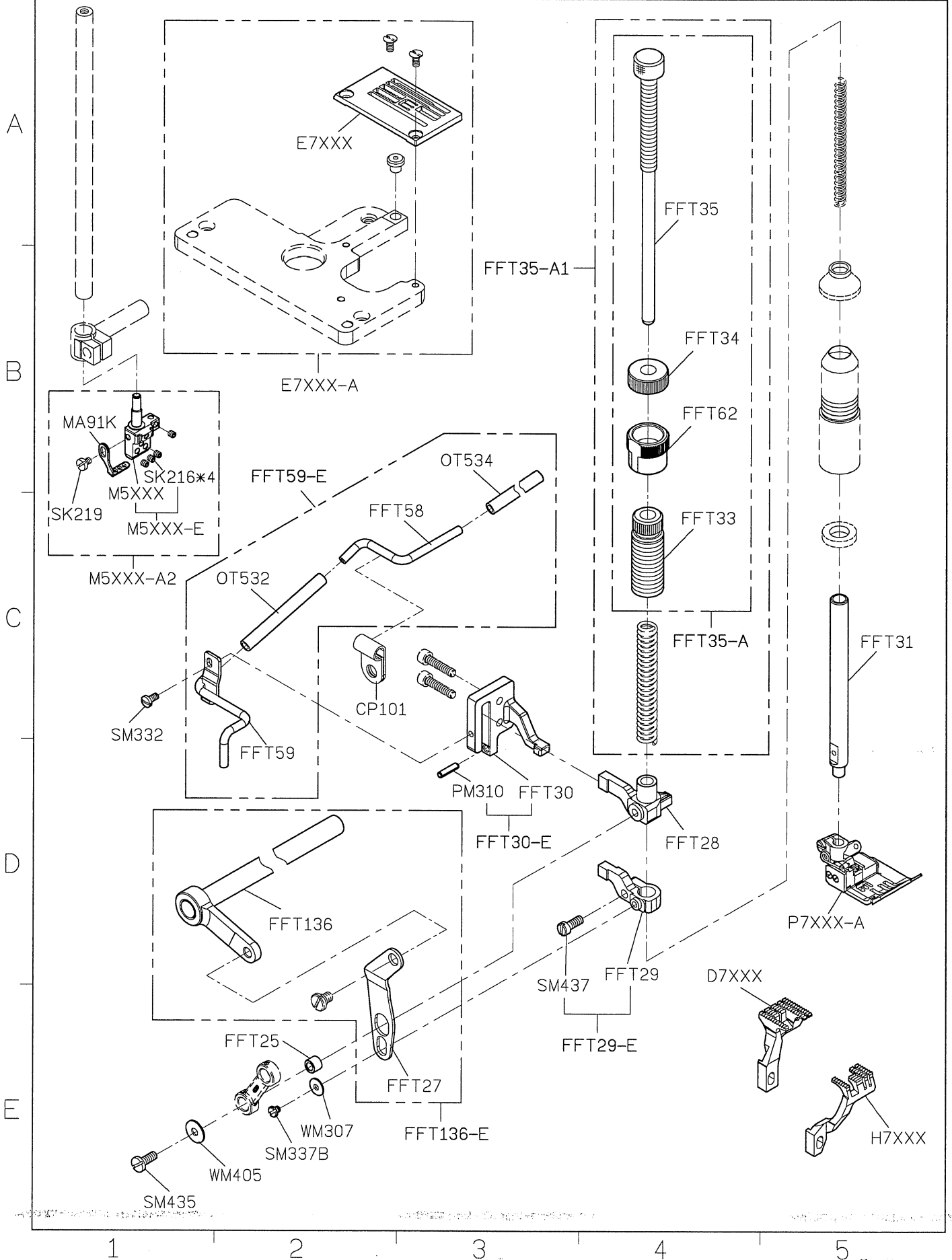
Page

3/7

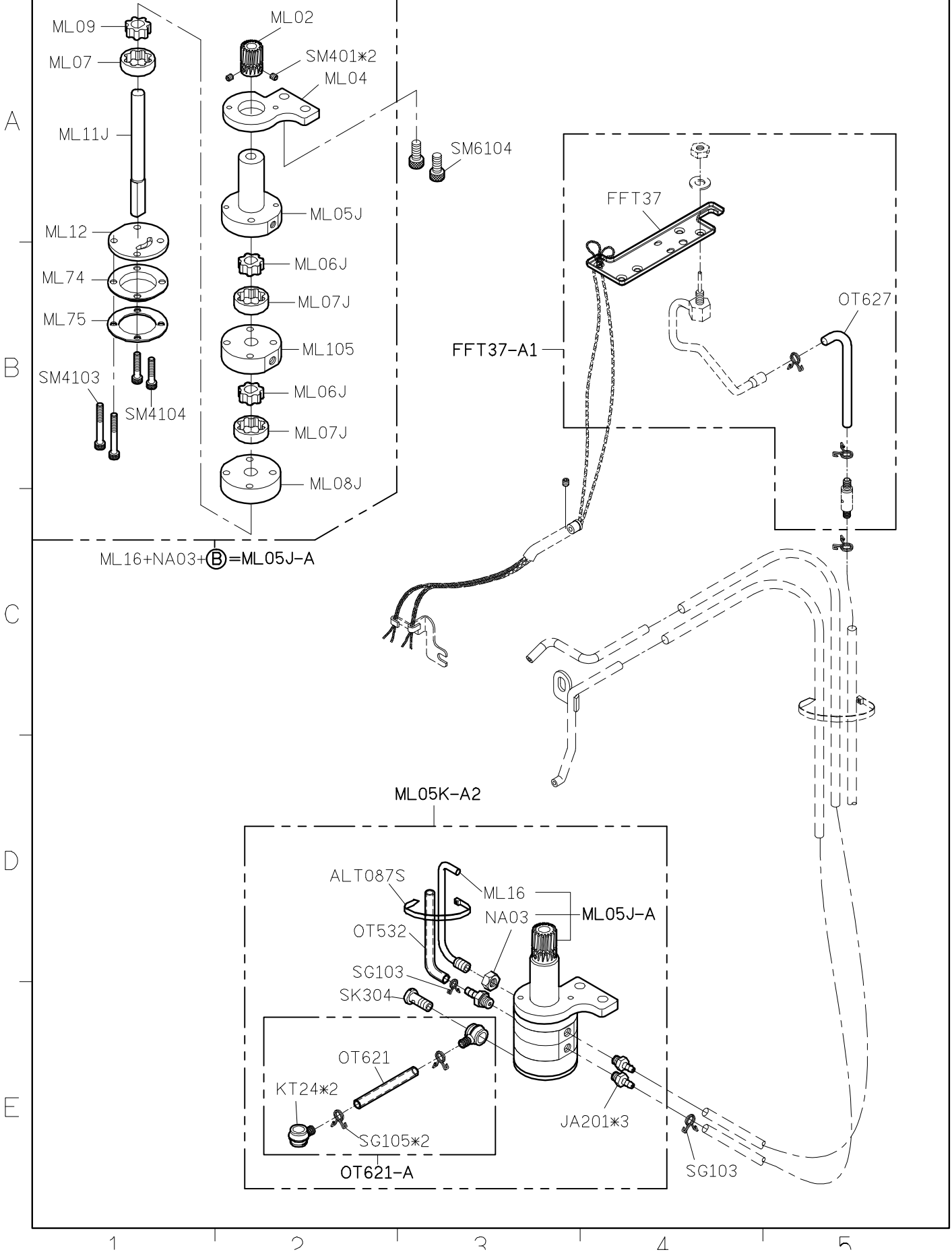
Date

2018/02/23

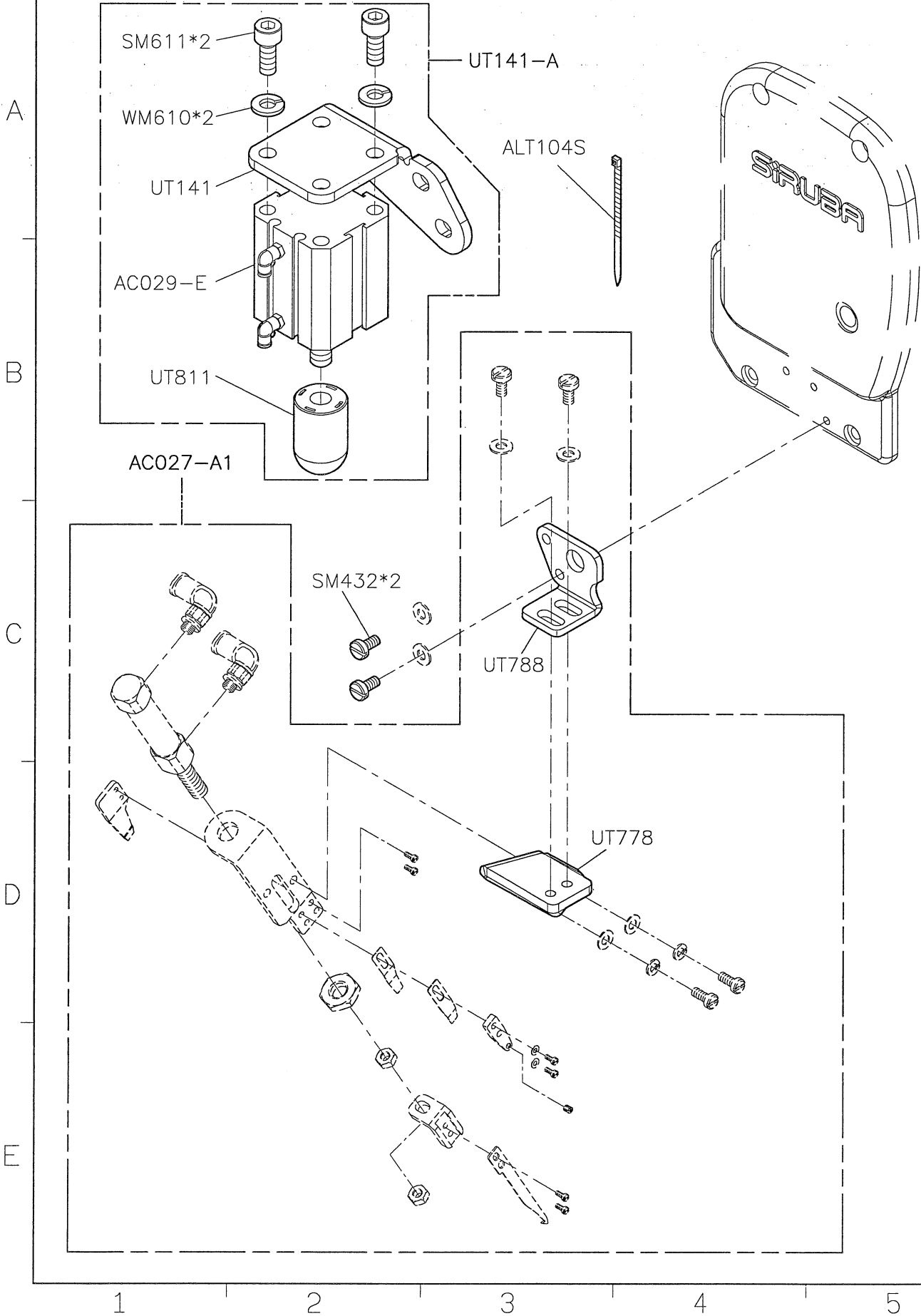




SIRUBA PARTS LIST	Series	Parts Group	Subclass / Remark	Page
	F007KD	FFT	With Direct-Drive Motor	5/7
				Date
				2024/6/28



SIRUBA PARTS LIST	Series	Parts Group	Subclass / Remark	Page
	F007KD	FFT	With Direct-Drive Motor	6/7
				Date 2016/8/18



SIRUBA

PARTS LIST

Series

F007KD

Parts Group

FFT

Subclass / Remark

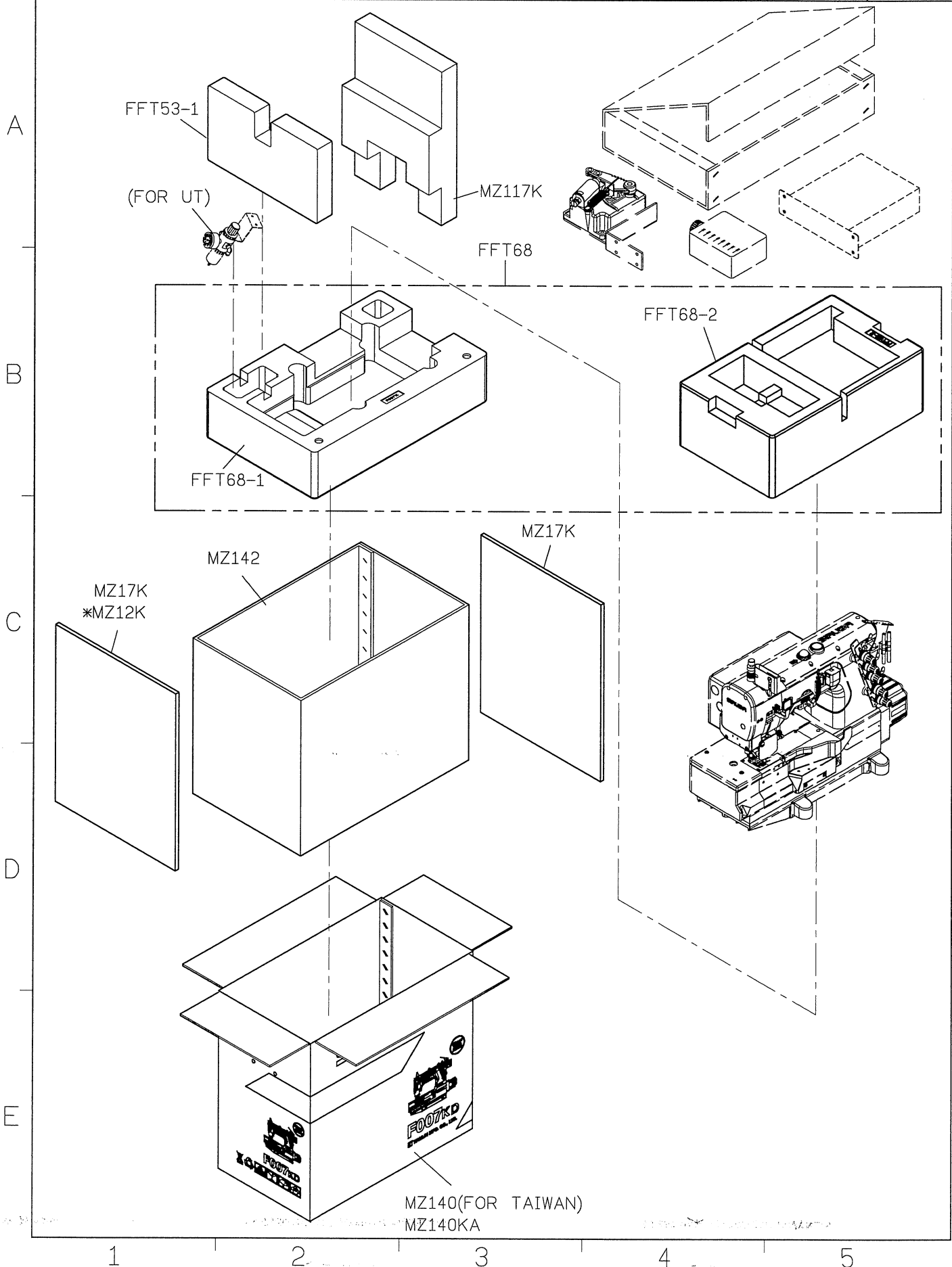
With Direct-Drive Motor
* Use for UT

Page

7/7

Date

2018/7/31



1

2

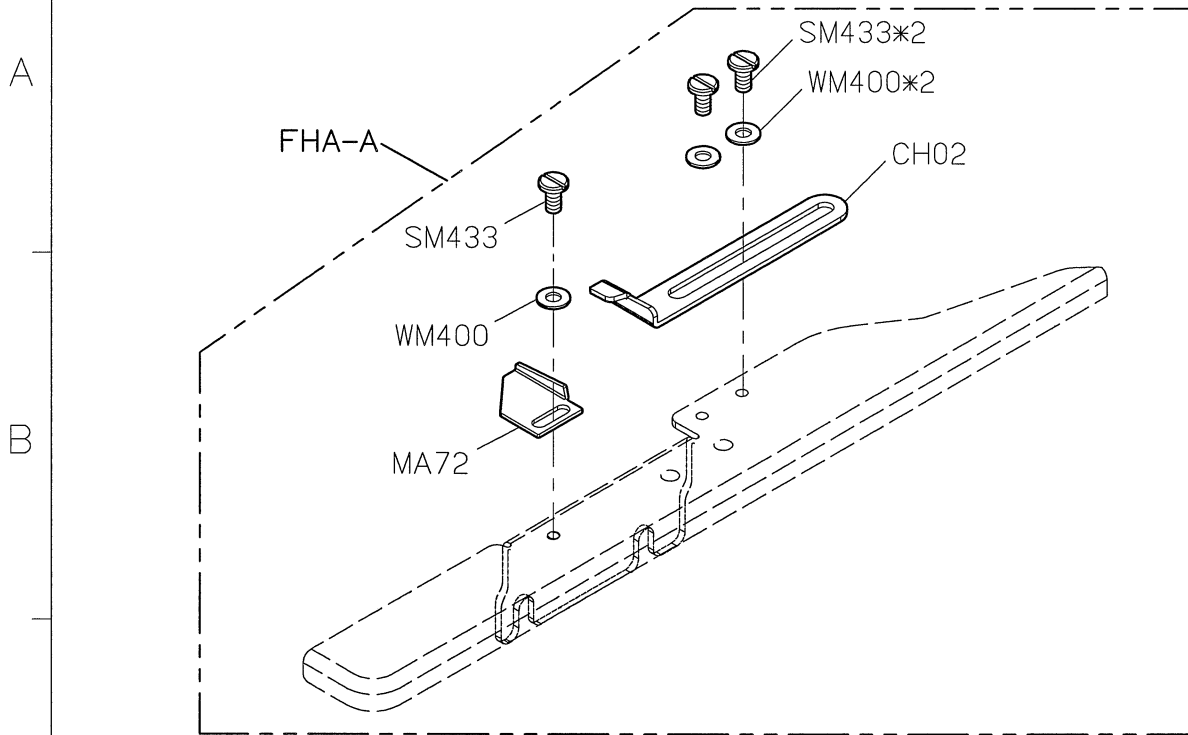
3

4

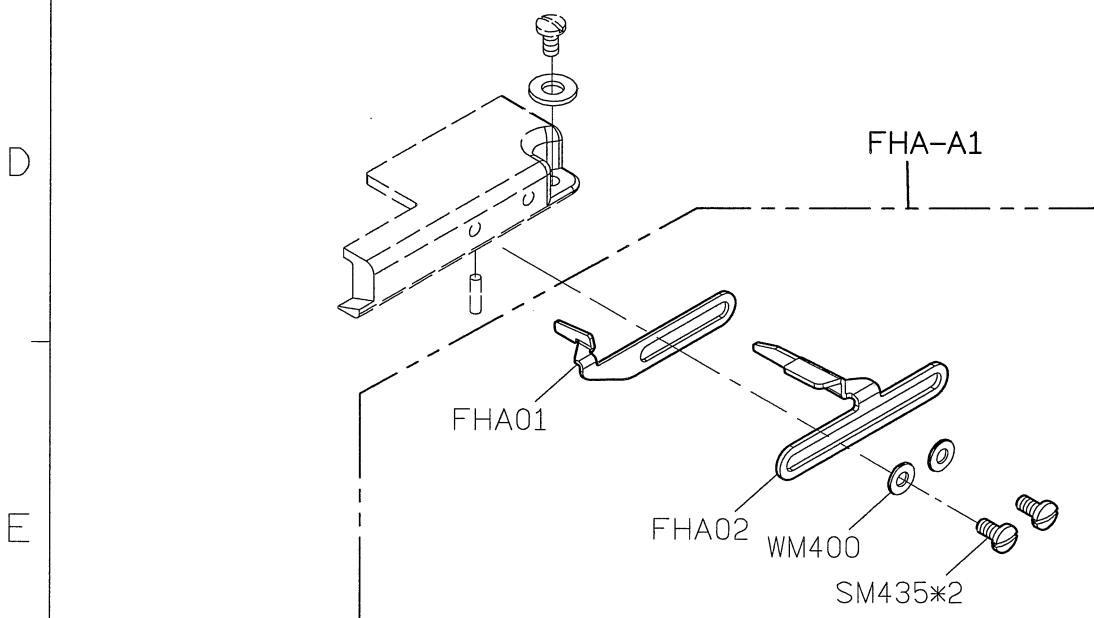
5

SIRUBA PARTS LIST	Series	Parts Group	Subclass / Remark	Page
	F007K/F007KD F858K	FHA-K		1/1
				Date 2016/9/5

FOR FHA TYPE



FOR FHA/FQ TYPE
OPTION DEVICE FOR FQ MACHINE
CONVERT TO FHA BOTTOM HEMMING



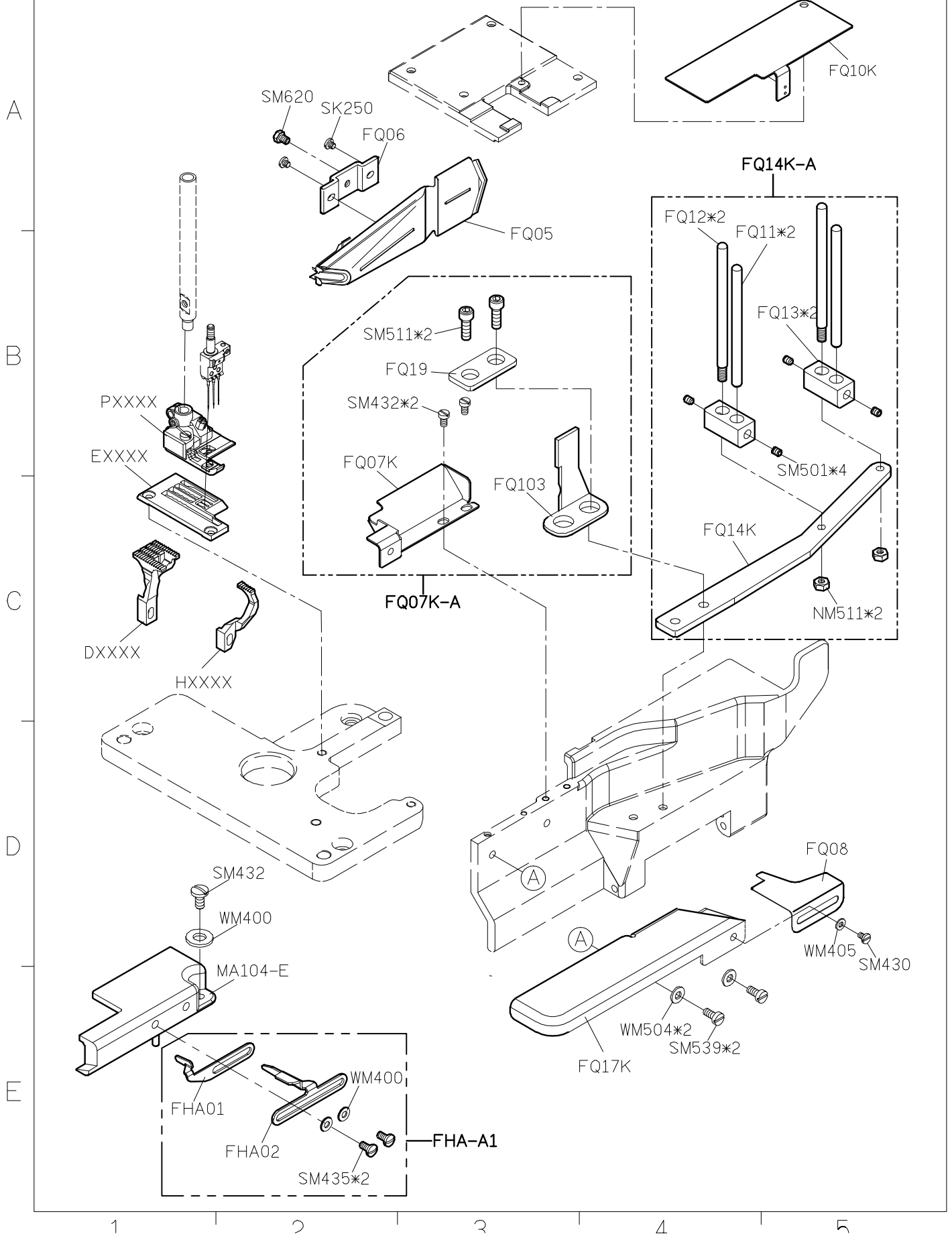
1

2

3

4

5



SIRUBA

PARTS LIST

Series

F007K/F007KD

Parts Group

FHK

Subclass / Remark

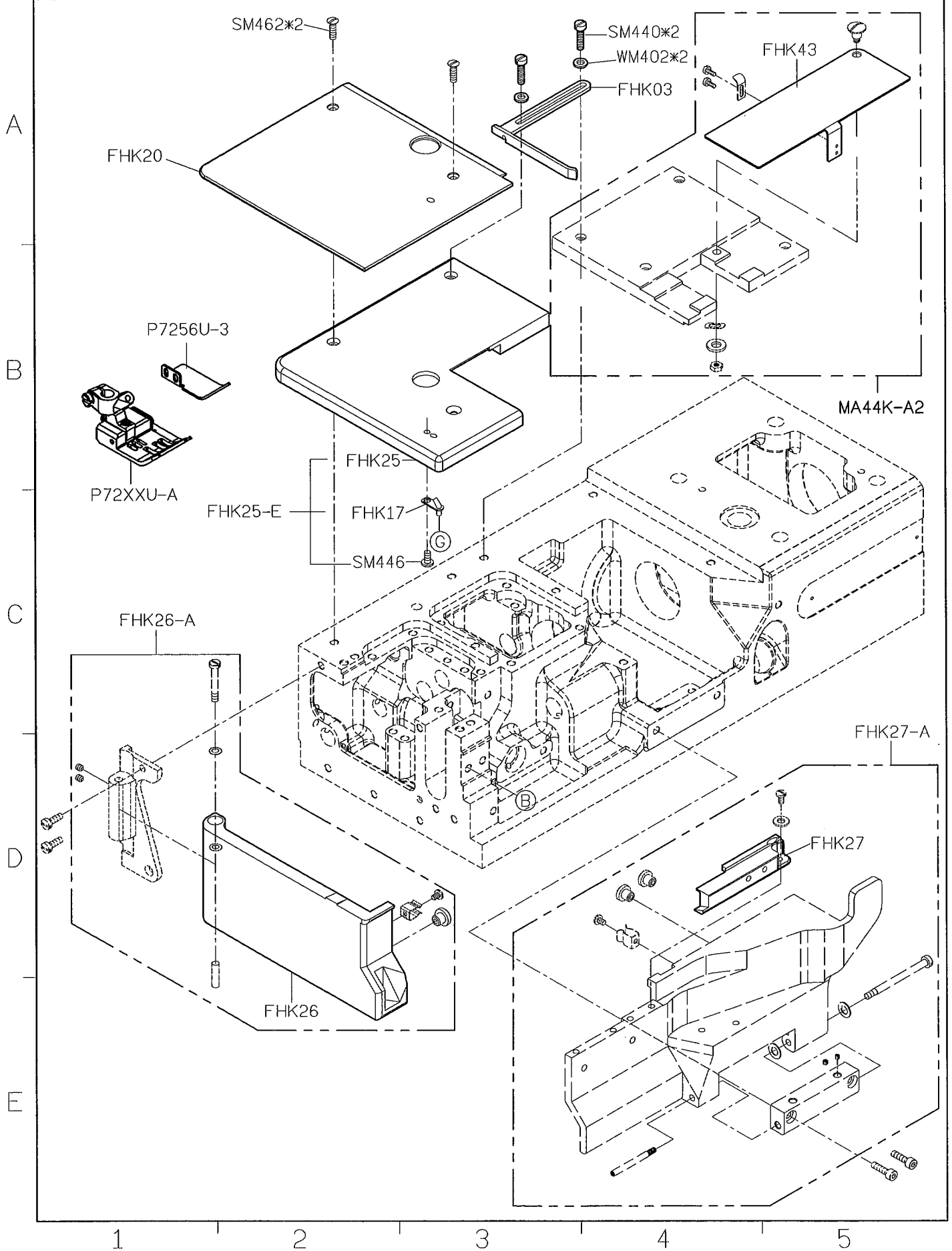
For Direct-Drive Motor

Page

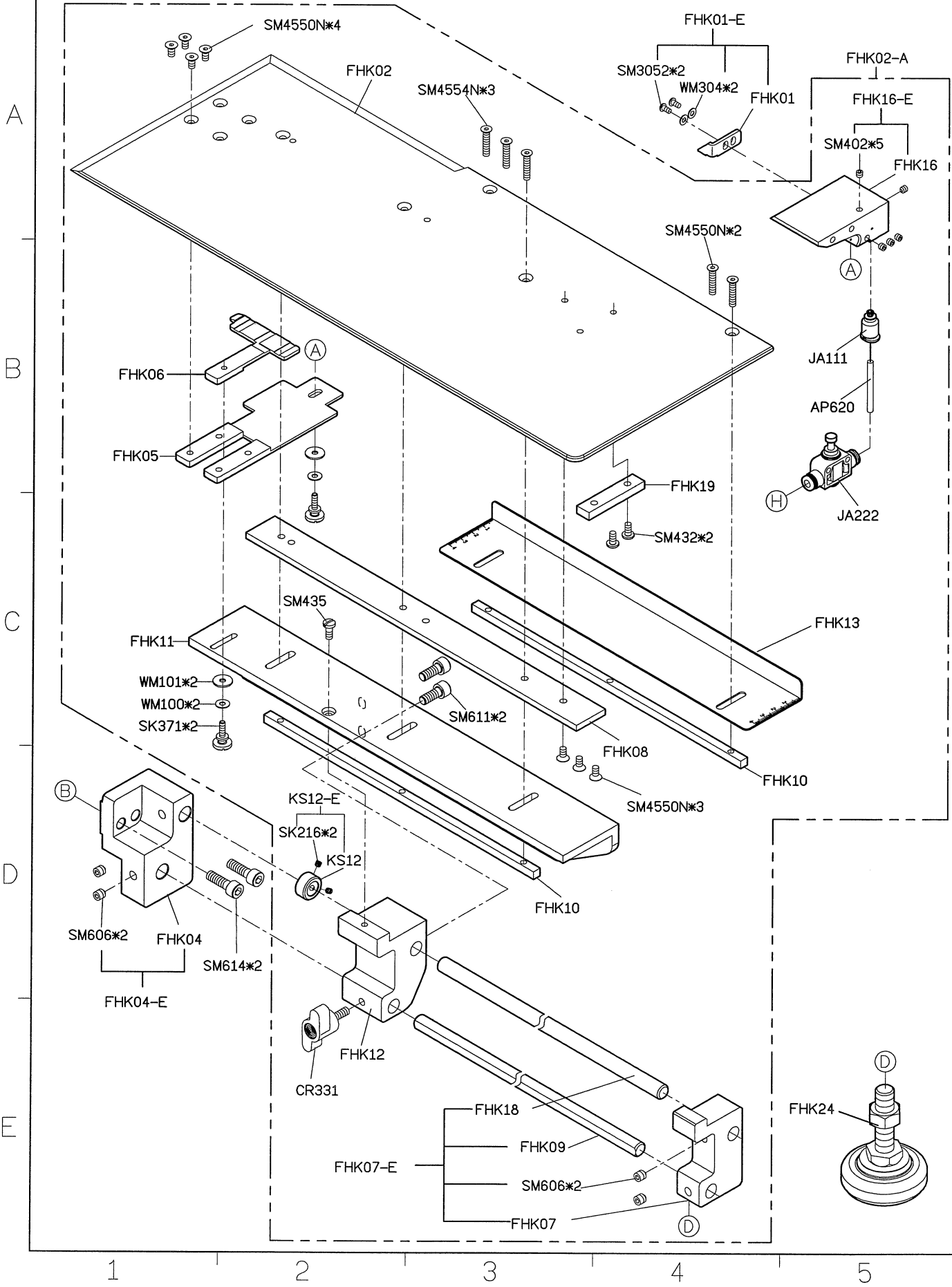
1/6

Date

2016/12/15



SIRUBA PARTS LIST	Series	Parts Group	Subclass / Remark	Page
	F007K/F007KD	FHK	For Direct-Drive Motor	2/6
				Date
				2016/9/5



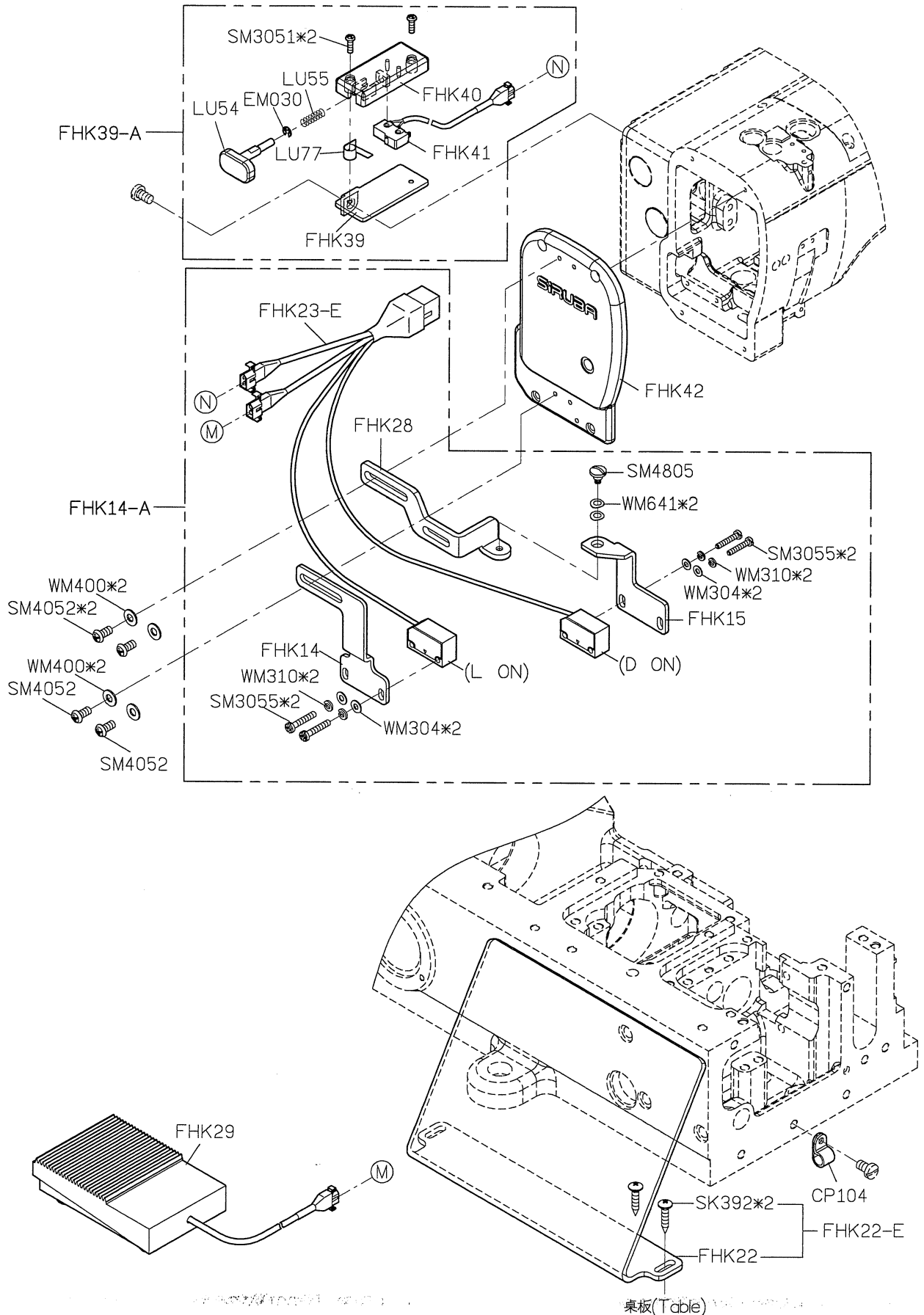
A

B

C

D

E



1

2

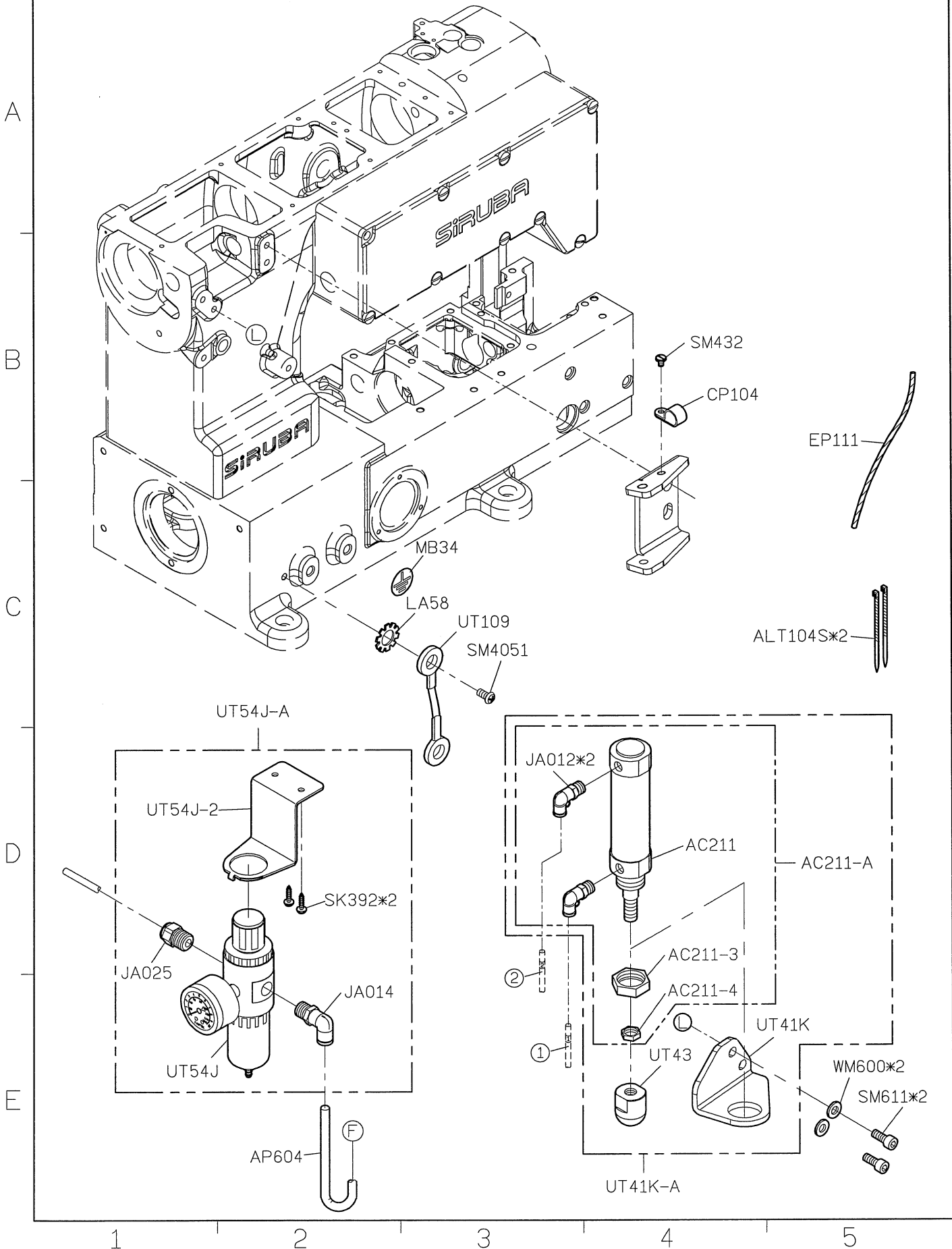
3

4

5

桌板(Table)

SIRUBA PARTS LIST	Series	Parts Group	Subclass / Remark	Page
	F007K/F007KD	FHK	For Direct-Drive Motor	4/6
				Date
				2016/9/5



SIRUBA PARTS LIST	Series	Parts Group	Subclass / Remark	Page
	F007K/F007KD	FHK	For Direct-Drive Motor	5/6
				Date
				2016/9/5

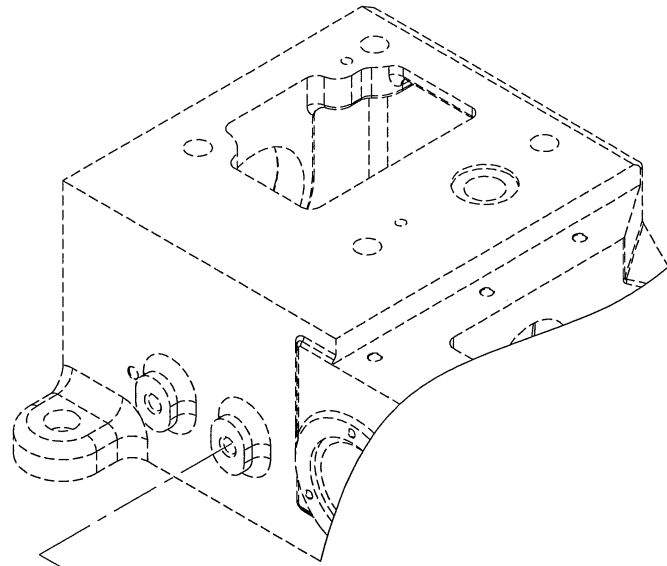
A

B

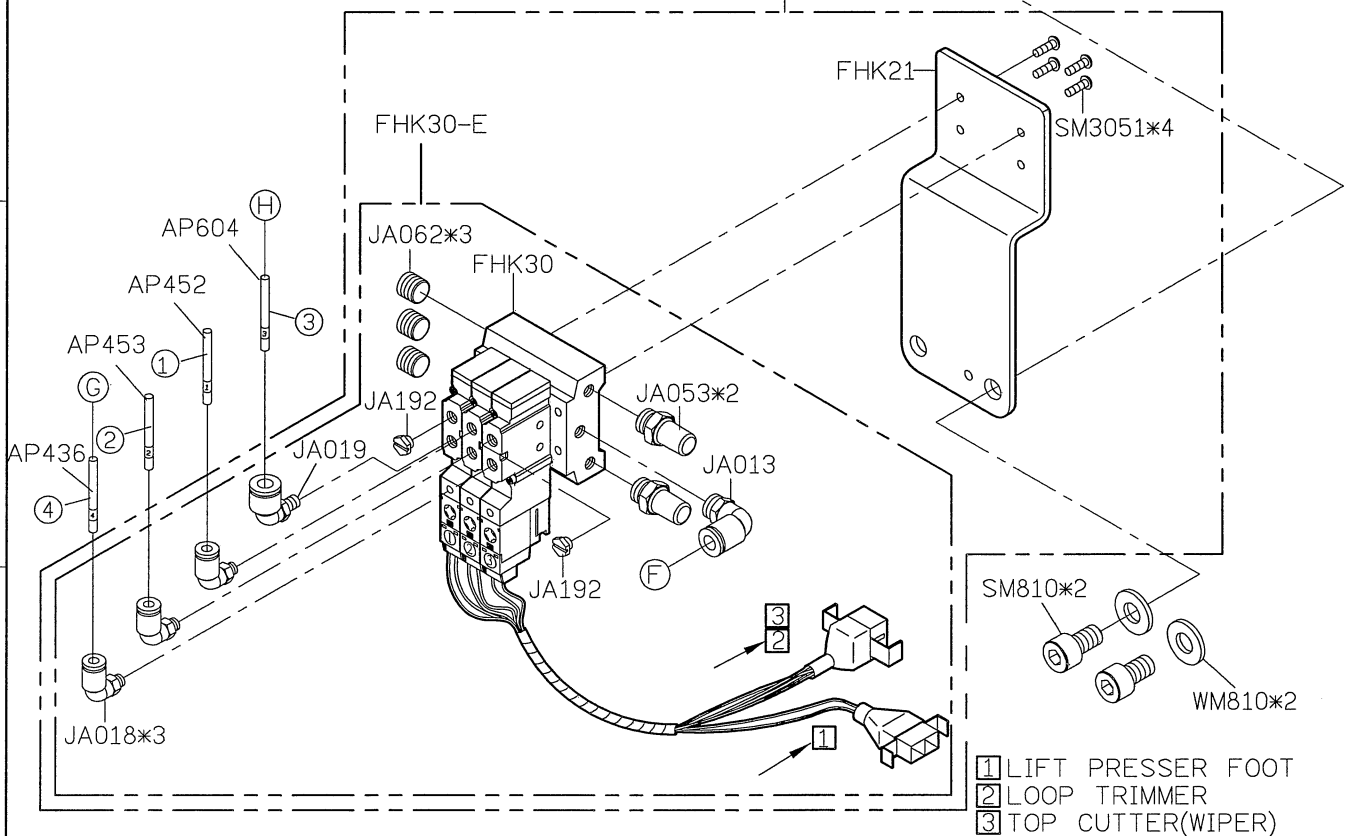
C

D

E



FHK30-A



- 1 LIFT PRESSER FOOT
- 2 LOOP TRIMMER
- 3 TOP CUTTER(WIPER)

1

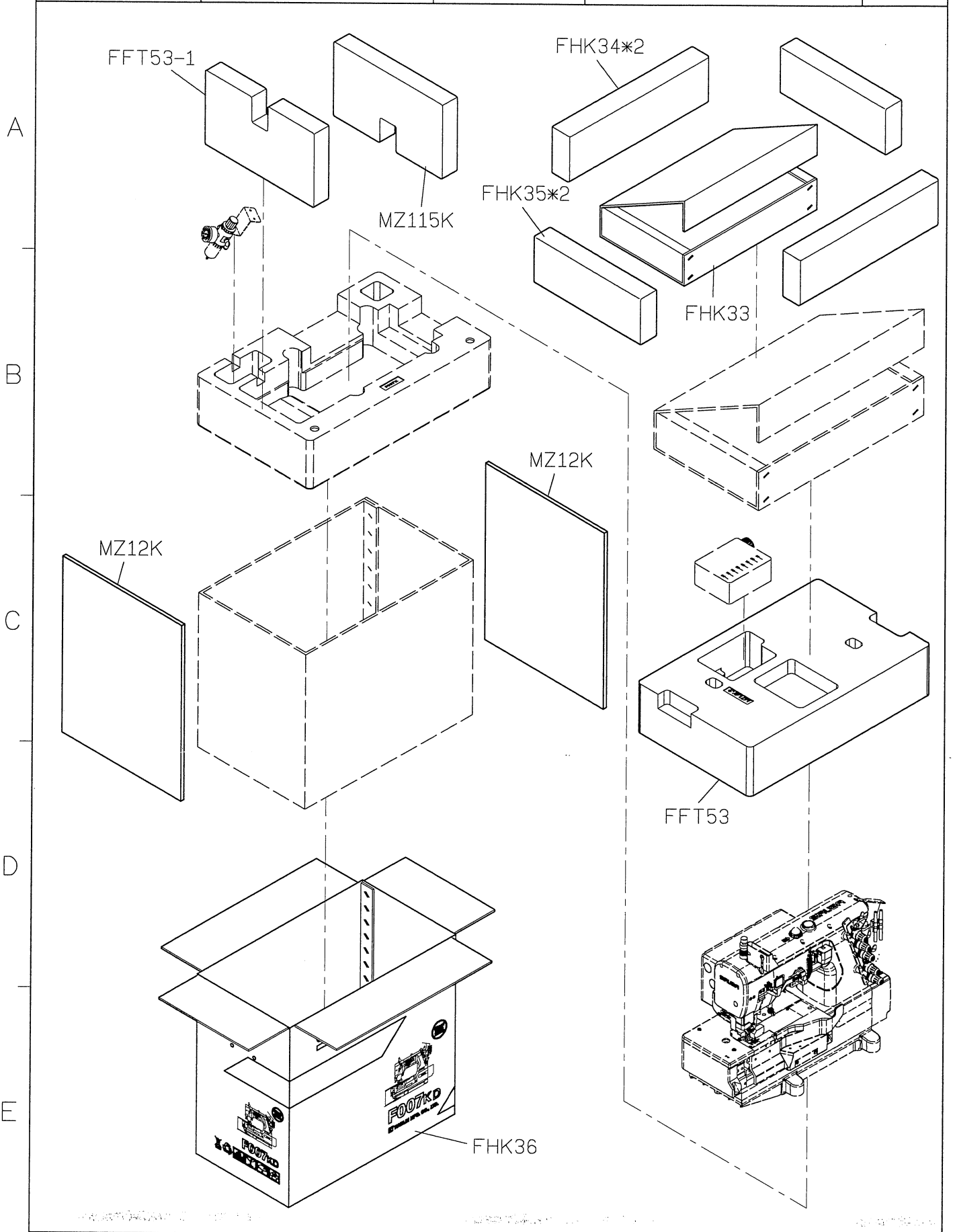
2

3

4

5

SIRUBA PARTS LIST	Series	Parts Group	Subclass / Remark	Page
	F007KD	FHK		6/6
				Date
				2018/07/31



1

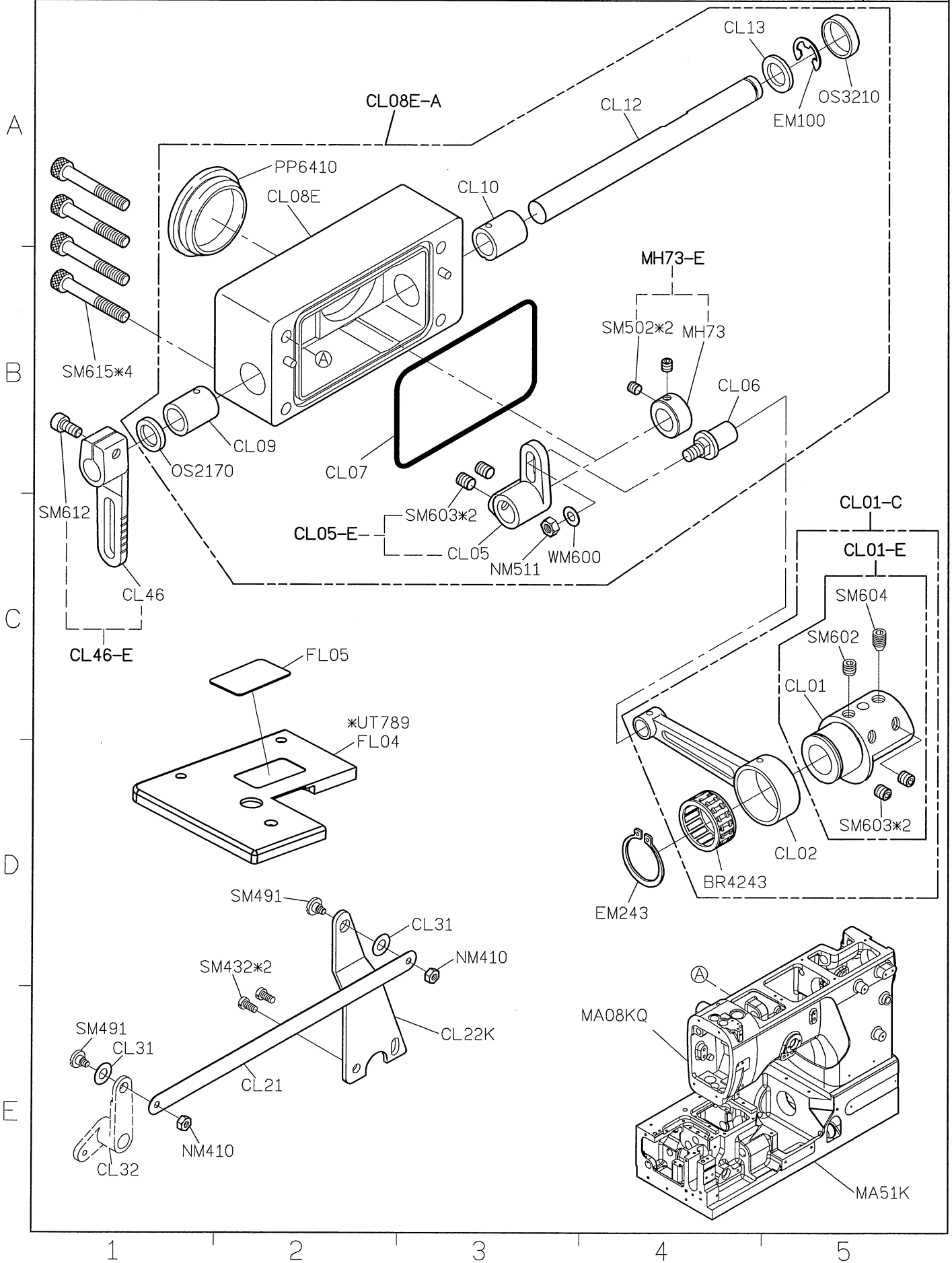
2

3

4

5

SIRUBA PARTS LIST	Series	Parts Group	Subclass / Remark	Page
	F007K/F007KD F858K	FL-K	* For UT	1/2
				Date
				2016/9/5



SIRUBA

PARTS LIST

Series

F007K/F007KD
F858K

Parts Group

FL-K

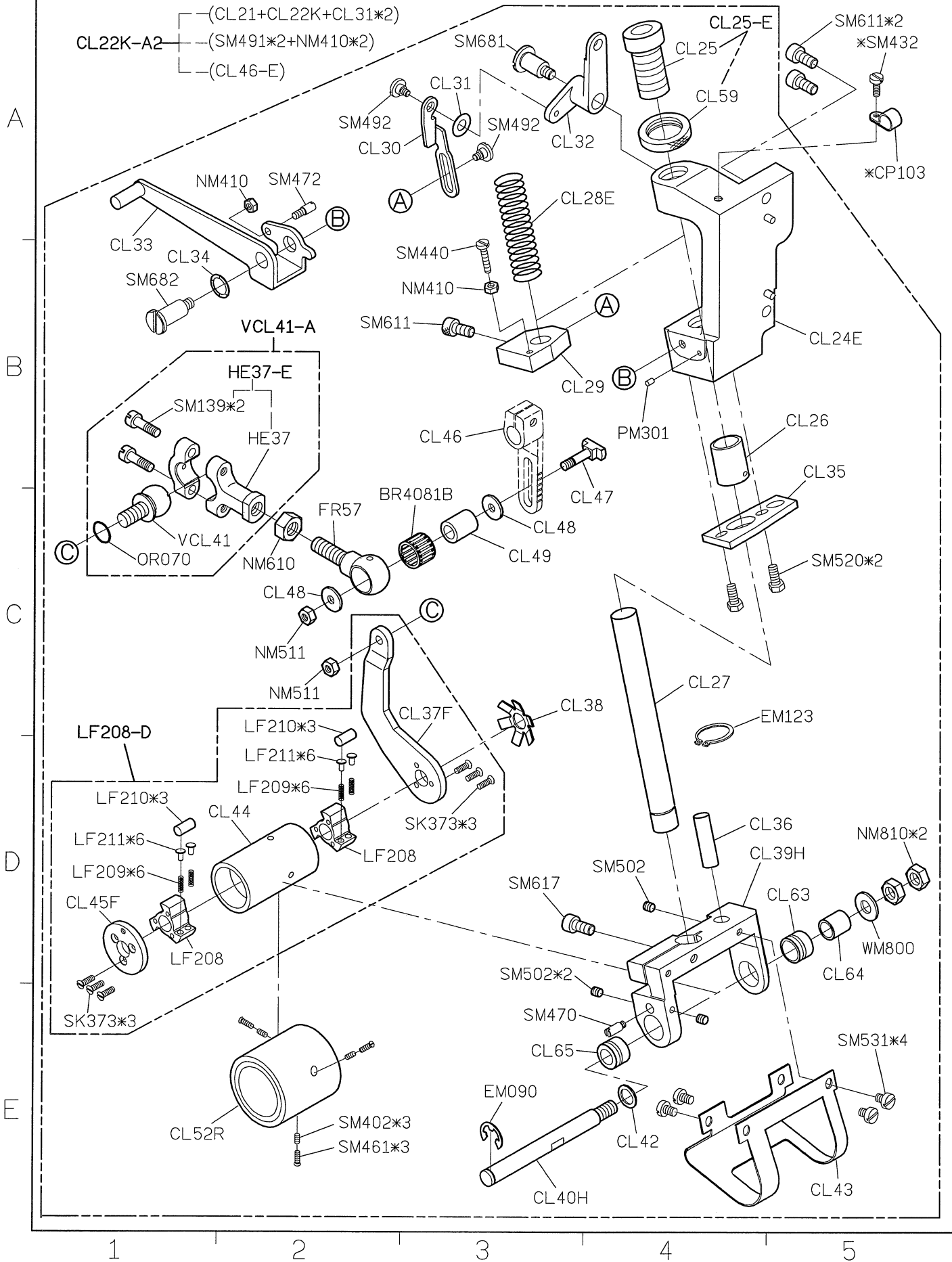
Subclass / Remark

Page

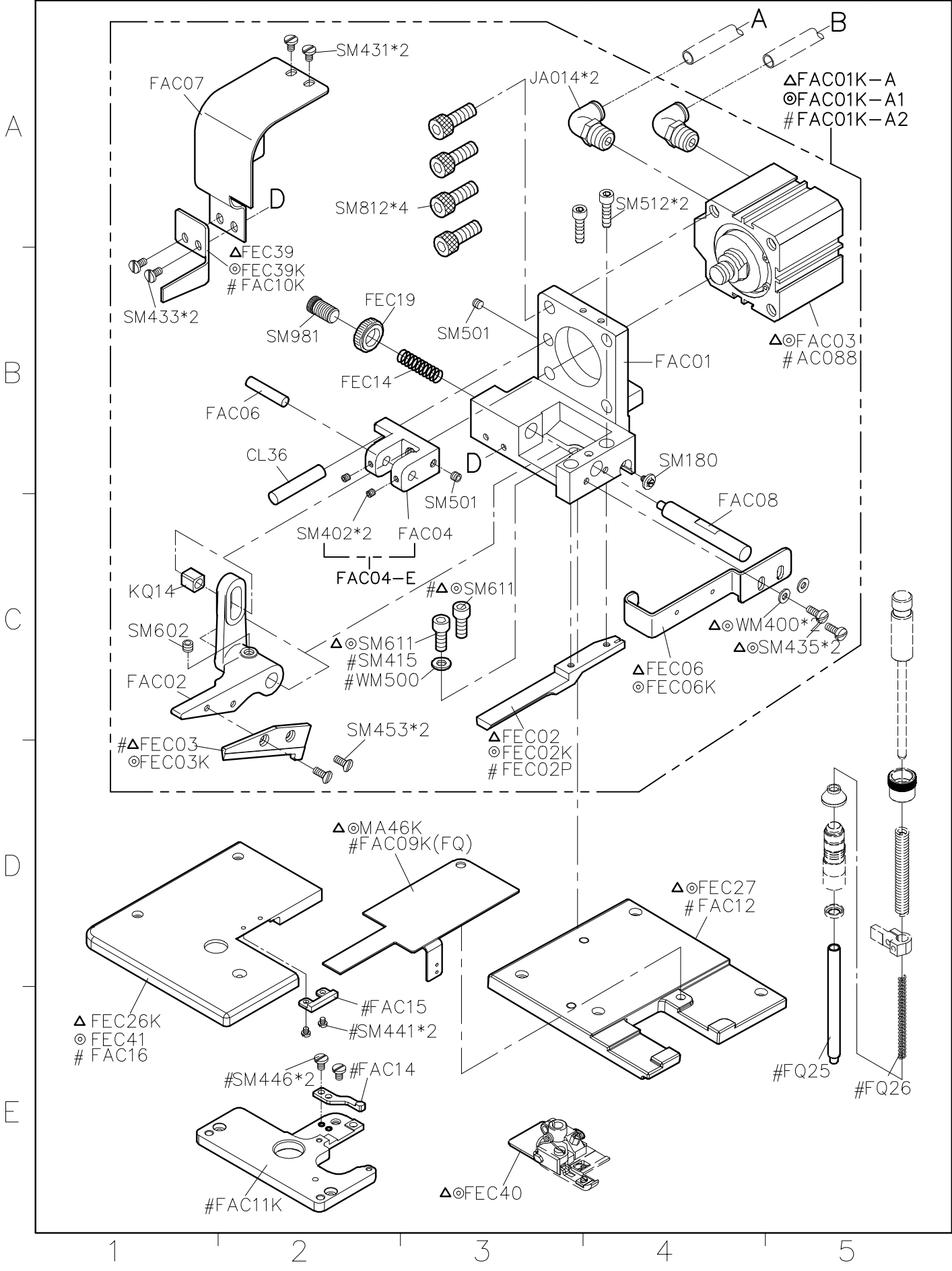
2/2

Date

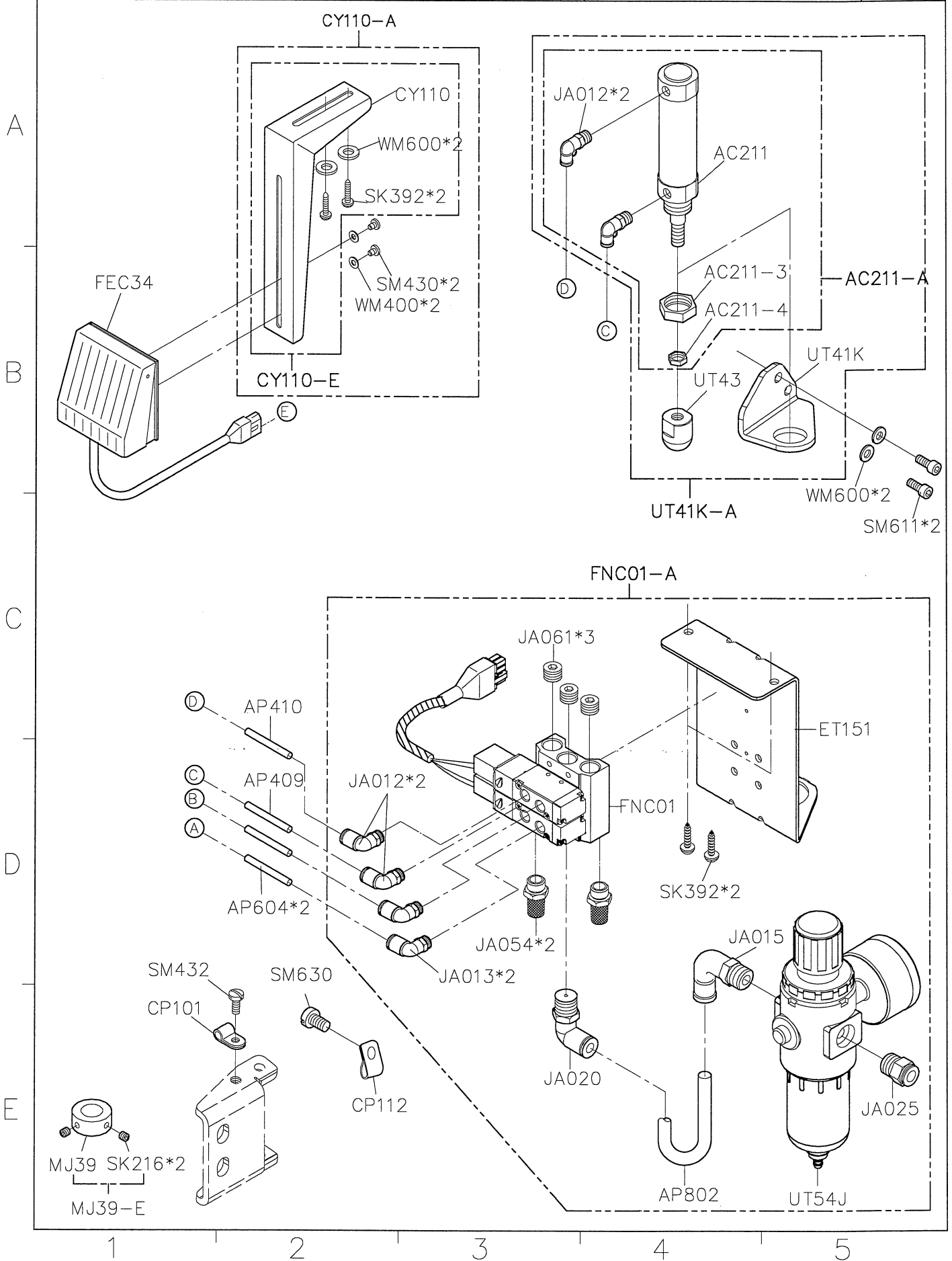
2016/9/5



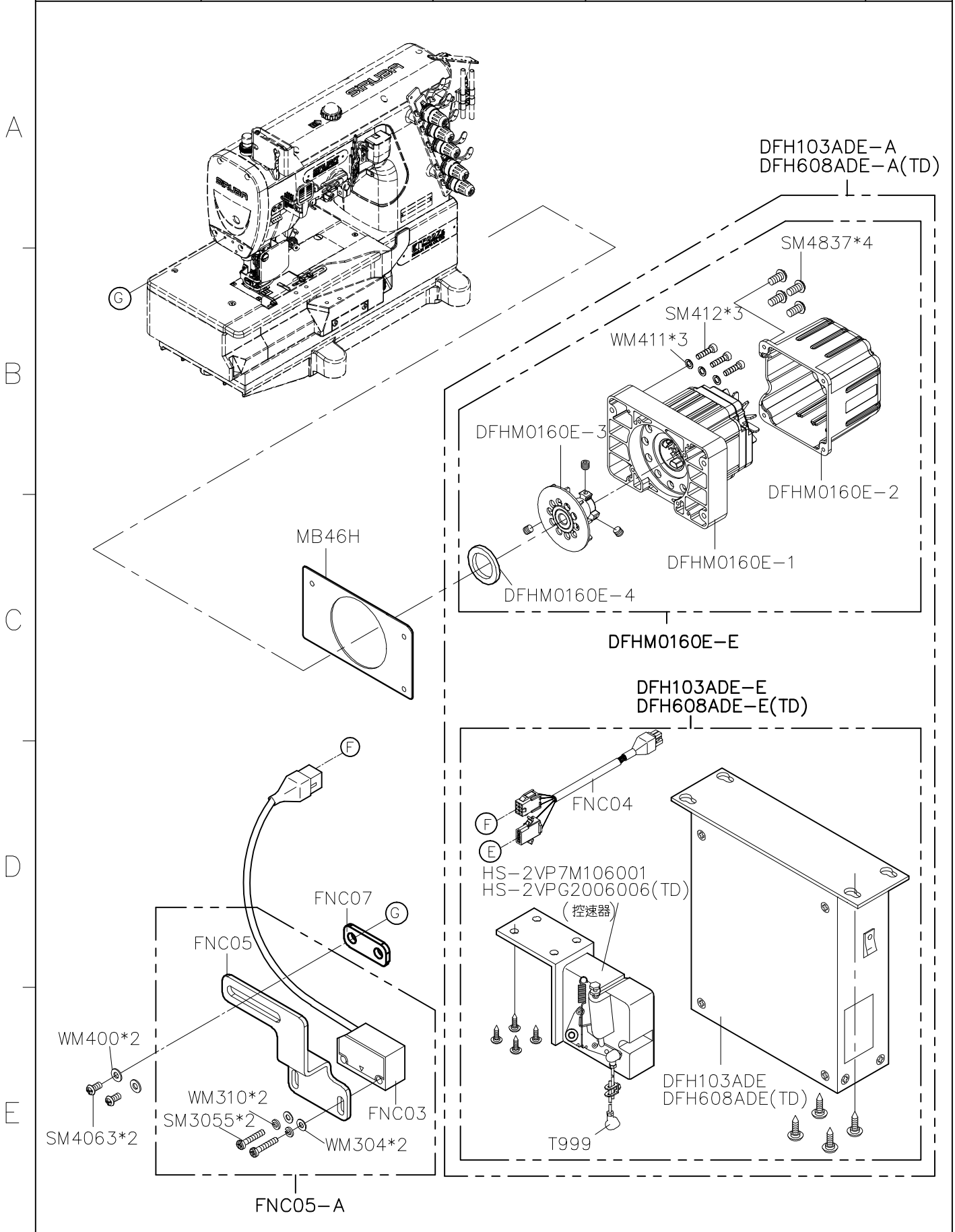
SIRUBA PARTS LIST	Series	Parts Group	Subclass / Remark	Page
	F007KD	FNC	△ :Use for LONG KNIFE長刀 ◎ :Use for SHORT KNIFE短刀 # :Use for MINI SHORT KNIFE超短刀+PQ	1/3
				Date
				2020/4/8



SIRUBA PARTS LIST	Series	Parts Group	Subclass / Remark	Page
	F007KD	FNC	With Direct-Drive Motor	2/3
				Date
				2016/10/12



SIRUBA PARTS LIST	Series	Parts Group	Subclass / Remark	Page
	F007KD	FNC	With Direct-Drive Motor △ :Use for LONG KNIFE長刀 ◎ :Use for SHORT KNIFE短刀	3/3
				Date
				2023/12/13



1

2

3

4

5

SIRUBA PARTS LIST	Series	Parts Group	Subclass / Remark	Page
	F007K/F007KD F858K	FP-K		1/1
				Date 2016/9/5

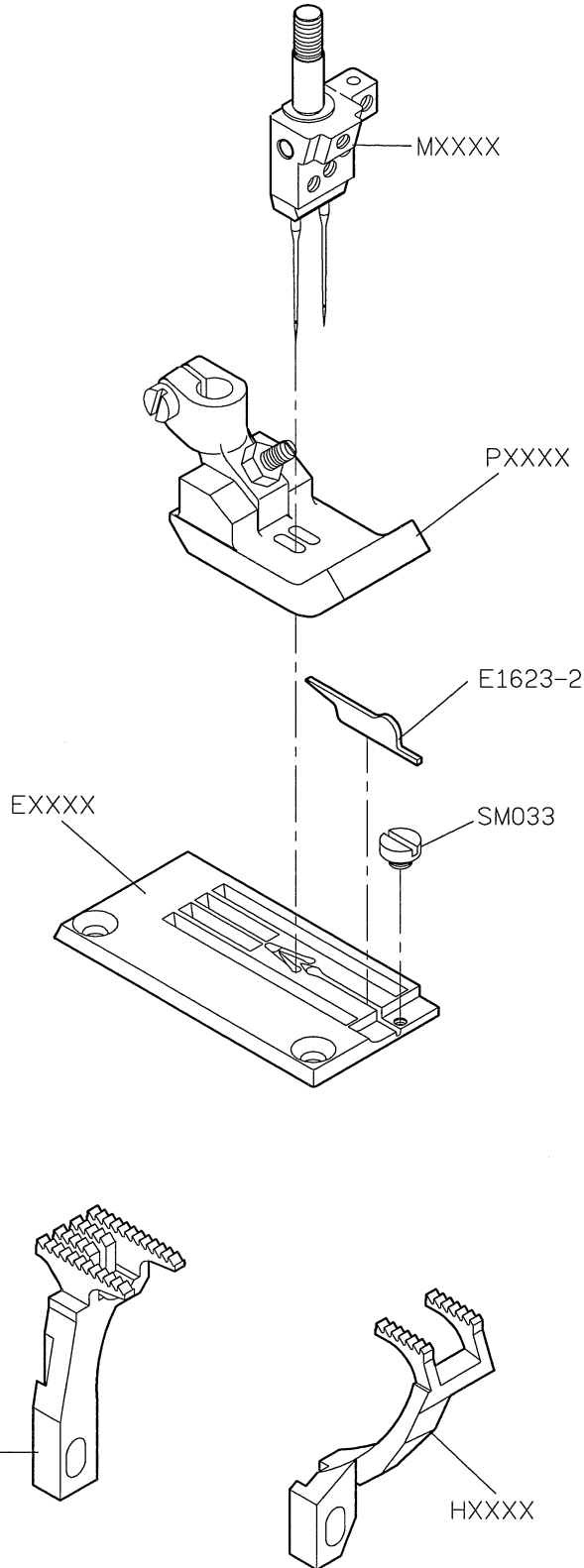
A

B

C

D

E



1

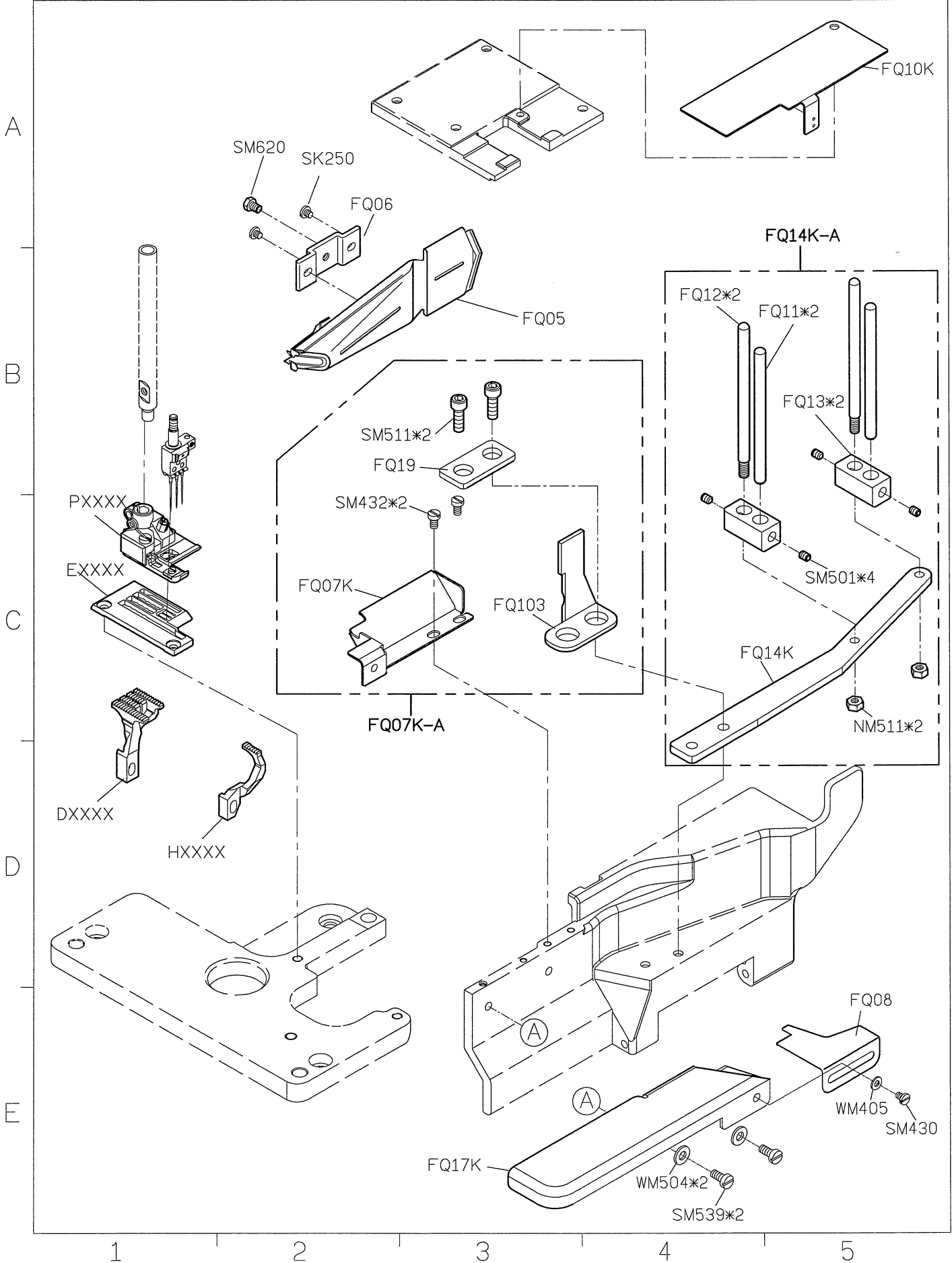
2

3

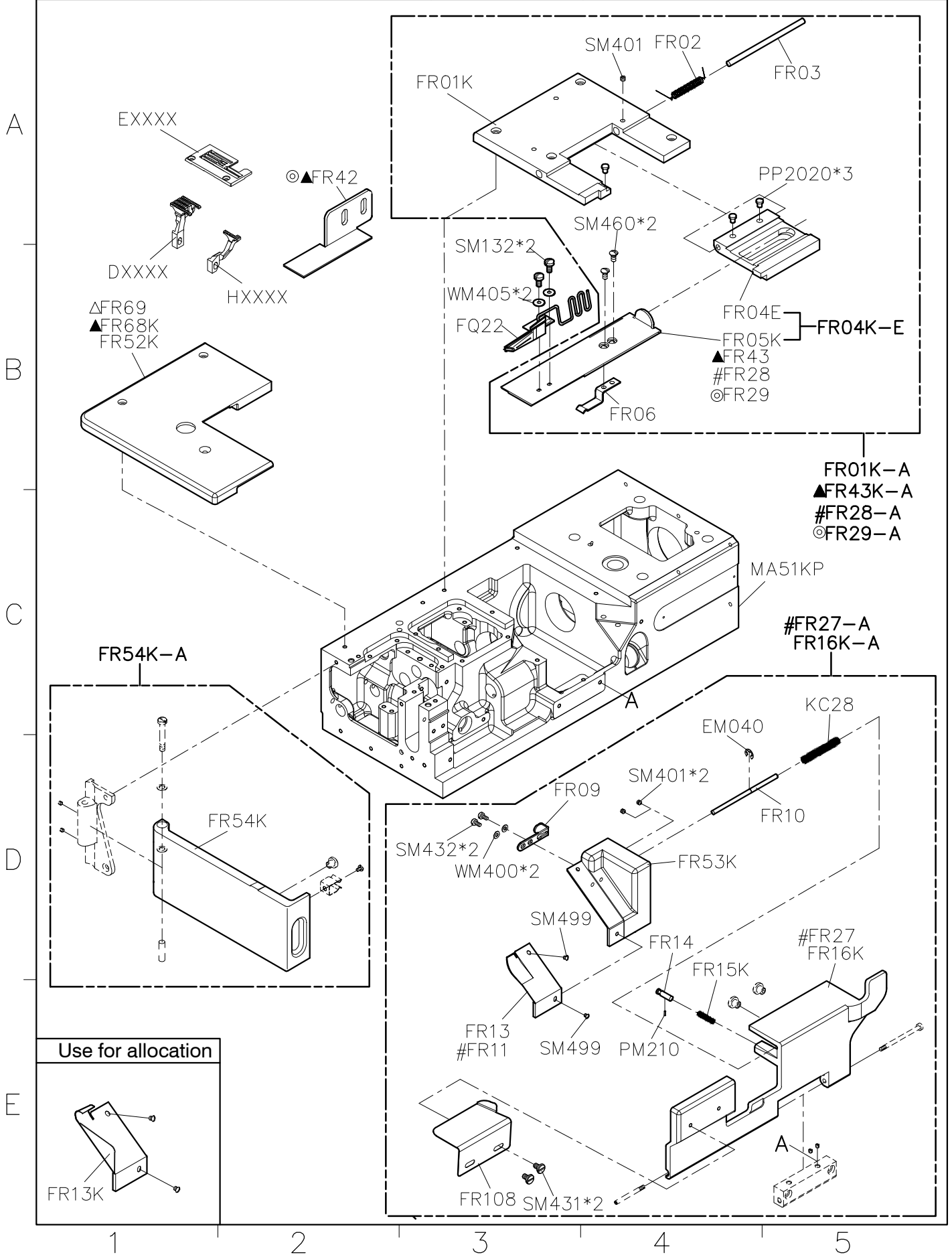
4

5

SIRUBA PARTS LIST	Series	Parts Group	Subclass / Remark	Page
	F007K/F007KD F858K	FQ-K		1/1
				Date
				2016/9/5



SIRUBA PARTS LIST	Series	Parts Group	Subclass / Remark	Page
	F007K/F007KD F858K	FR-K FR/FQS-K	▲: Use for FR/FAC(FEC) #: Use for FR/FQS : Use for FR/FQS/FAC(FEC) △: Use for FR/FAC(FEC)SHORT KNIFE短刀	1/3
				Date
				2023/7/31



SIRUBA PARTS LIST	Series	Parts Group	Subclass / Remark	Page
	F007K/F007KD	FR-K	△: Use for FR-232	2/3
	F858K	FR/FQS-K	#: Use for FR/FQS	Date
				2016/9/5

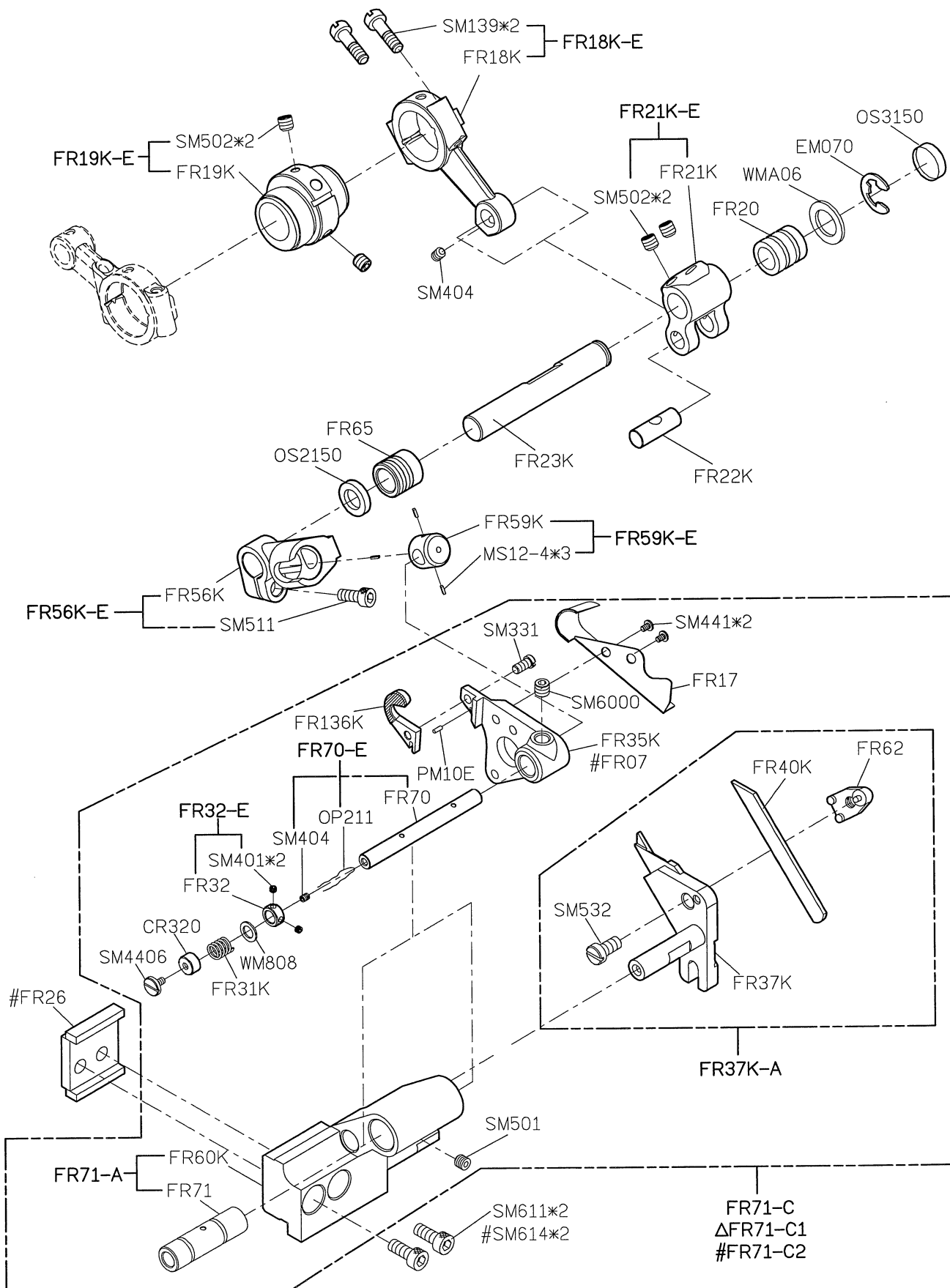
A

B

C

D

E



1

2

3

4

5

SIRUBA PARTS LIST	Series	Parts Group	Subclass / Remark	Page
	F007K/F007KD F858K	FR-K FR/FQS-K		3/3
				Date
				2016/9/5

FR66-A

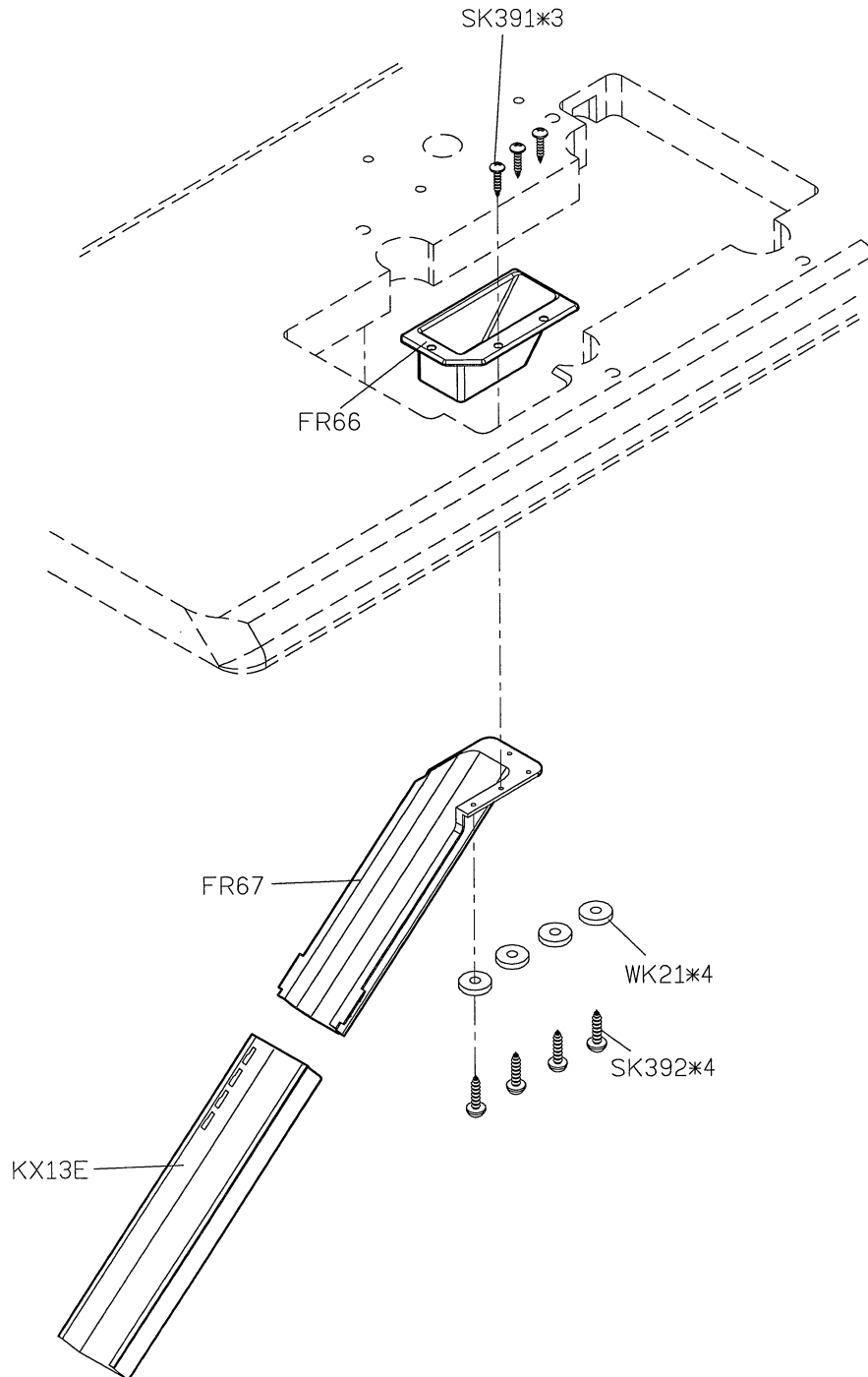
A

B

C

D

E



1

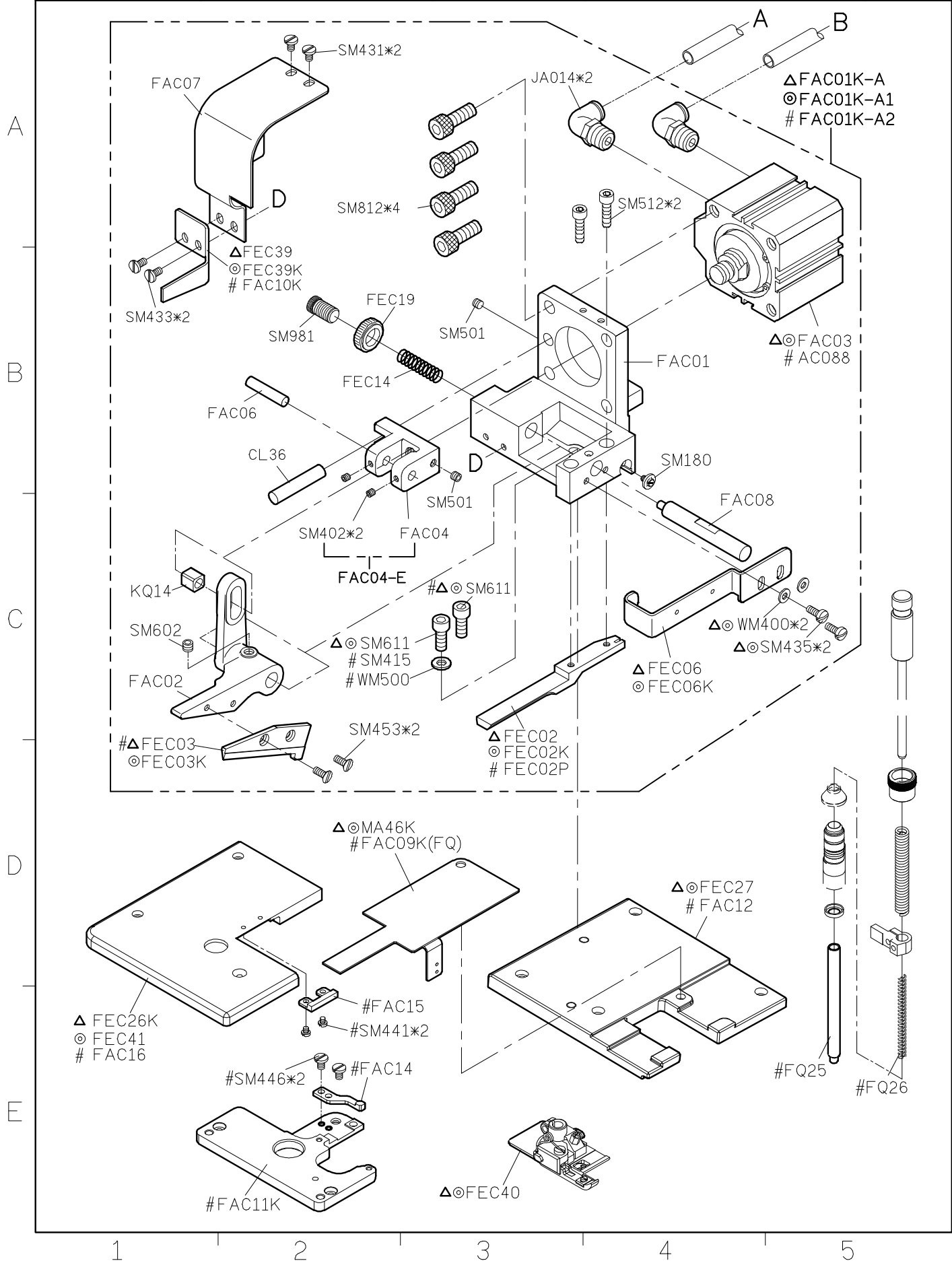
2

3

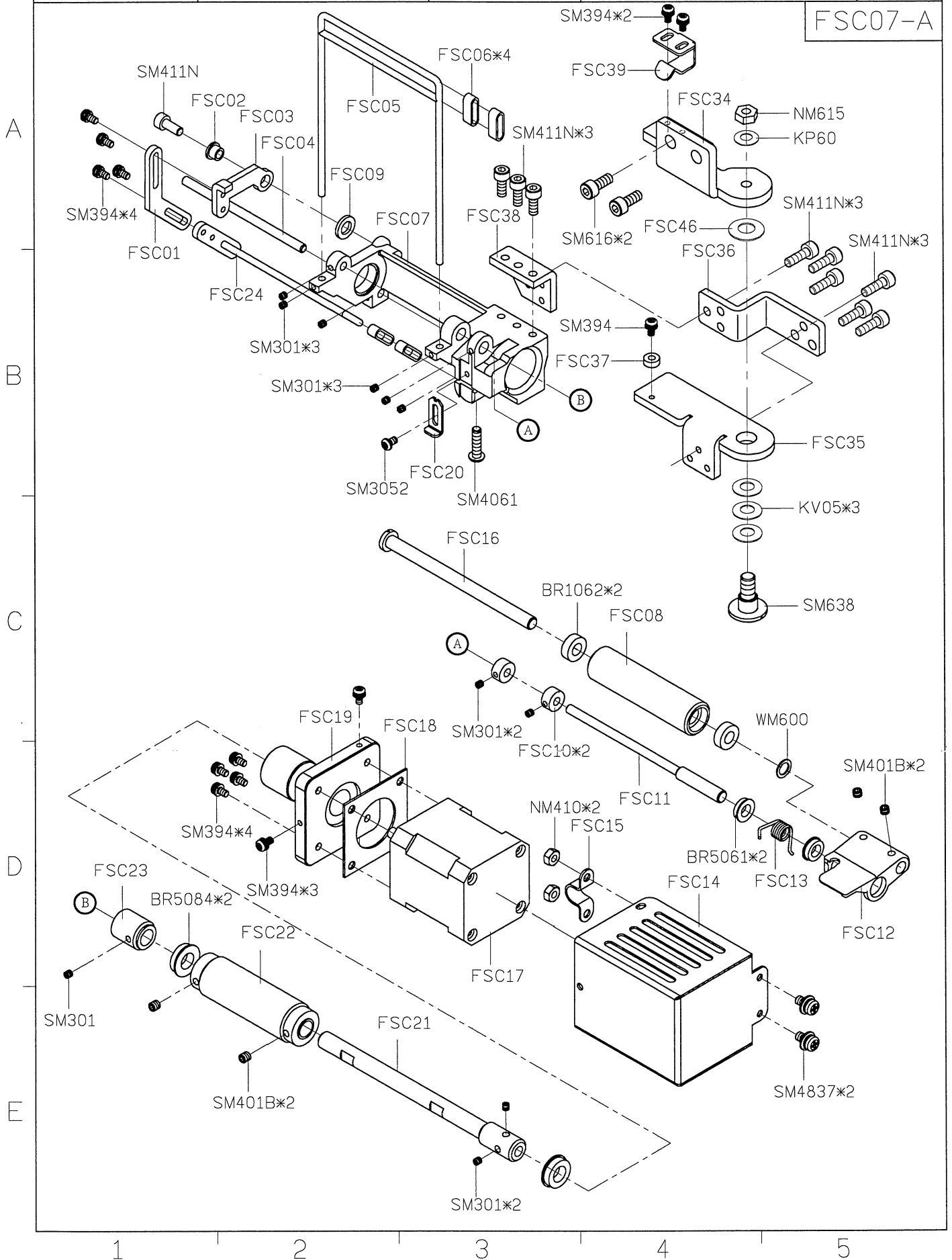
4

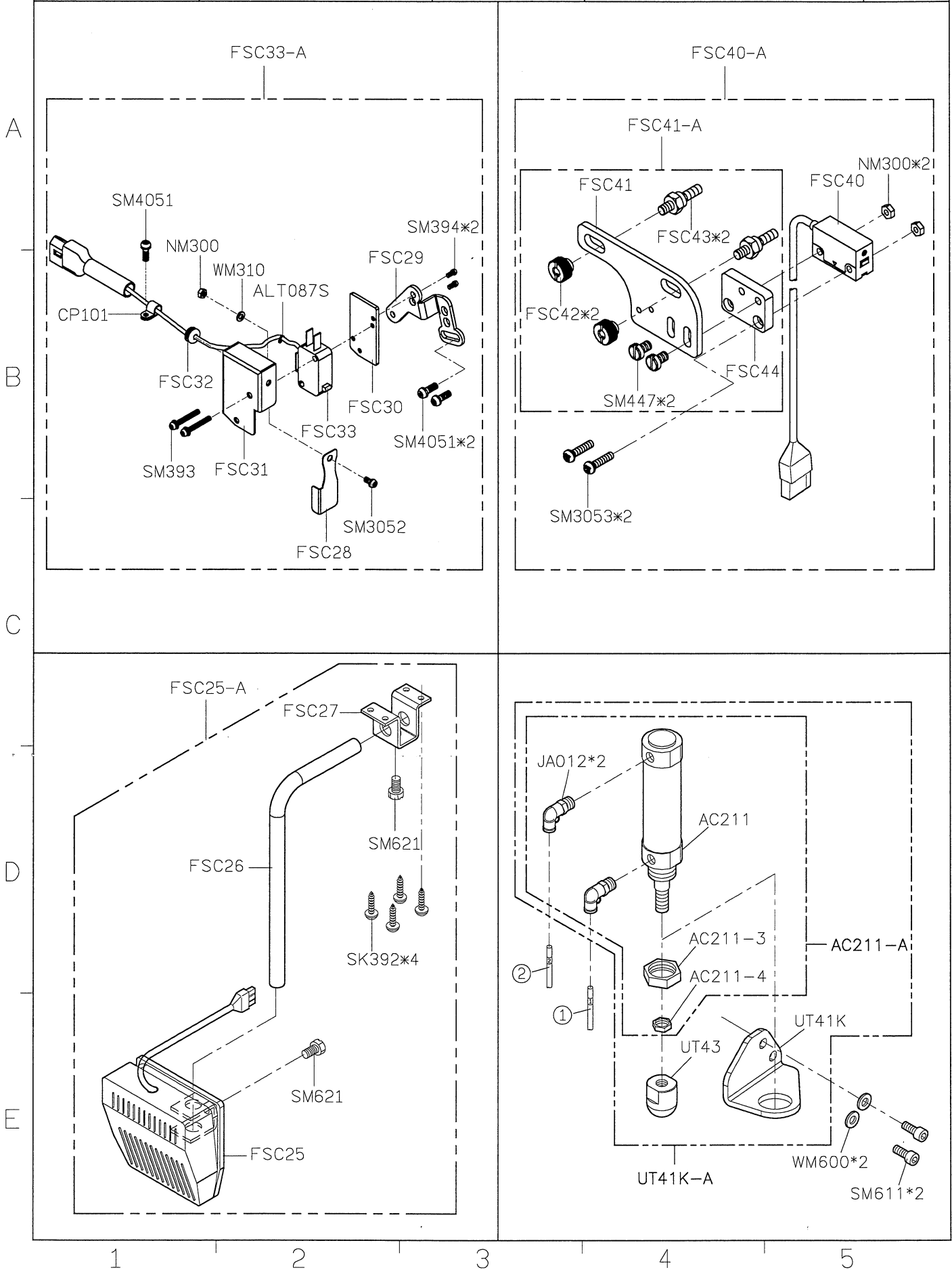
5

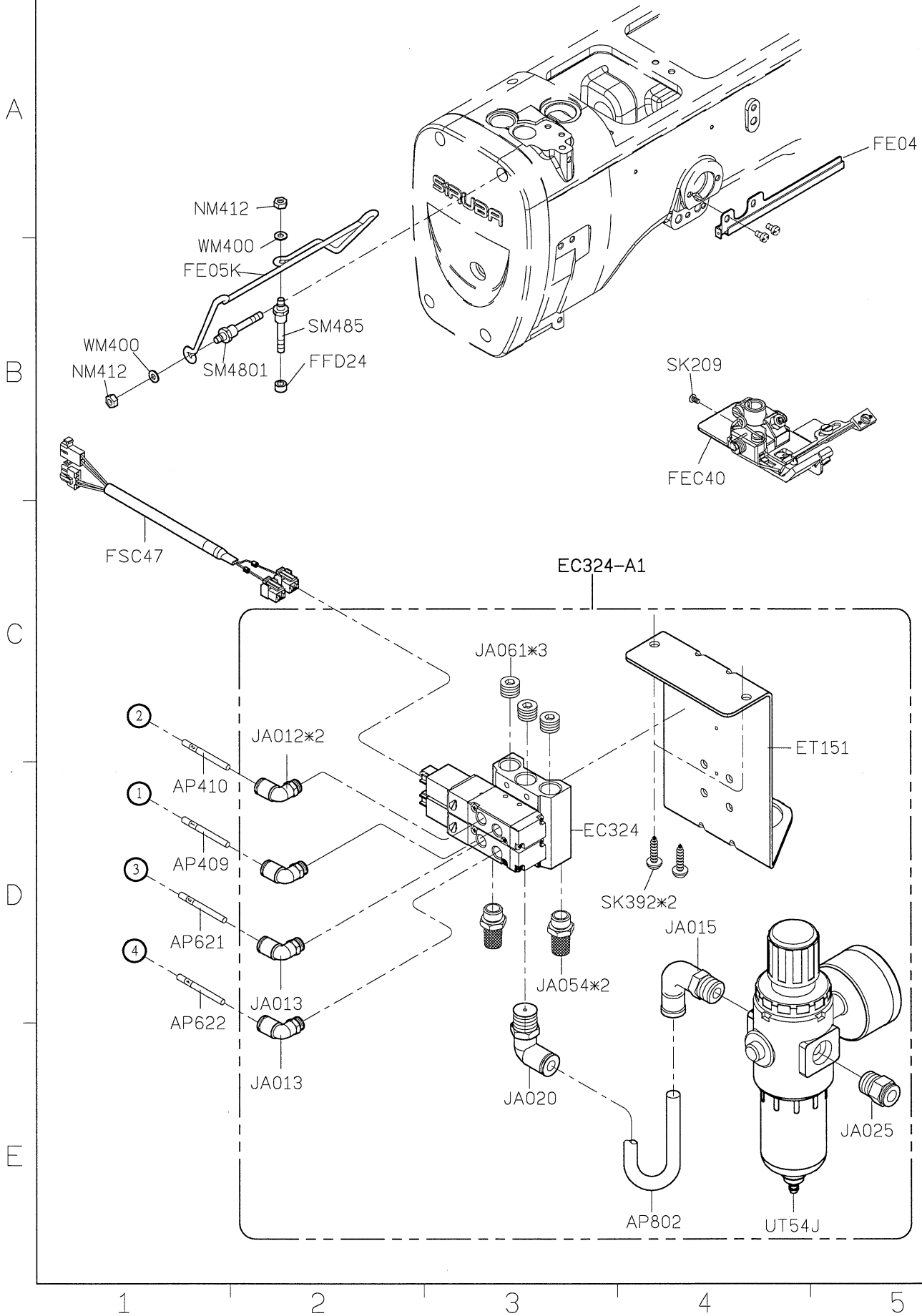
SIRUBA PARTS LIST	Series	Parts Group	Subclass / Remark	Page
	F007KD	FSC	△ :Use for LONG KNIFE長刀 ◎ :Use for SHORT KNIFE短刀 # :Use for MINI SHORT KNIFE超短刀+PQ	1/5
				Date
				2020/4/8



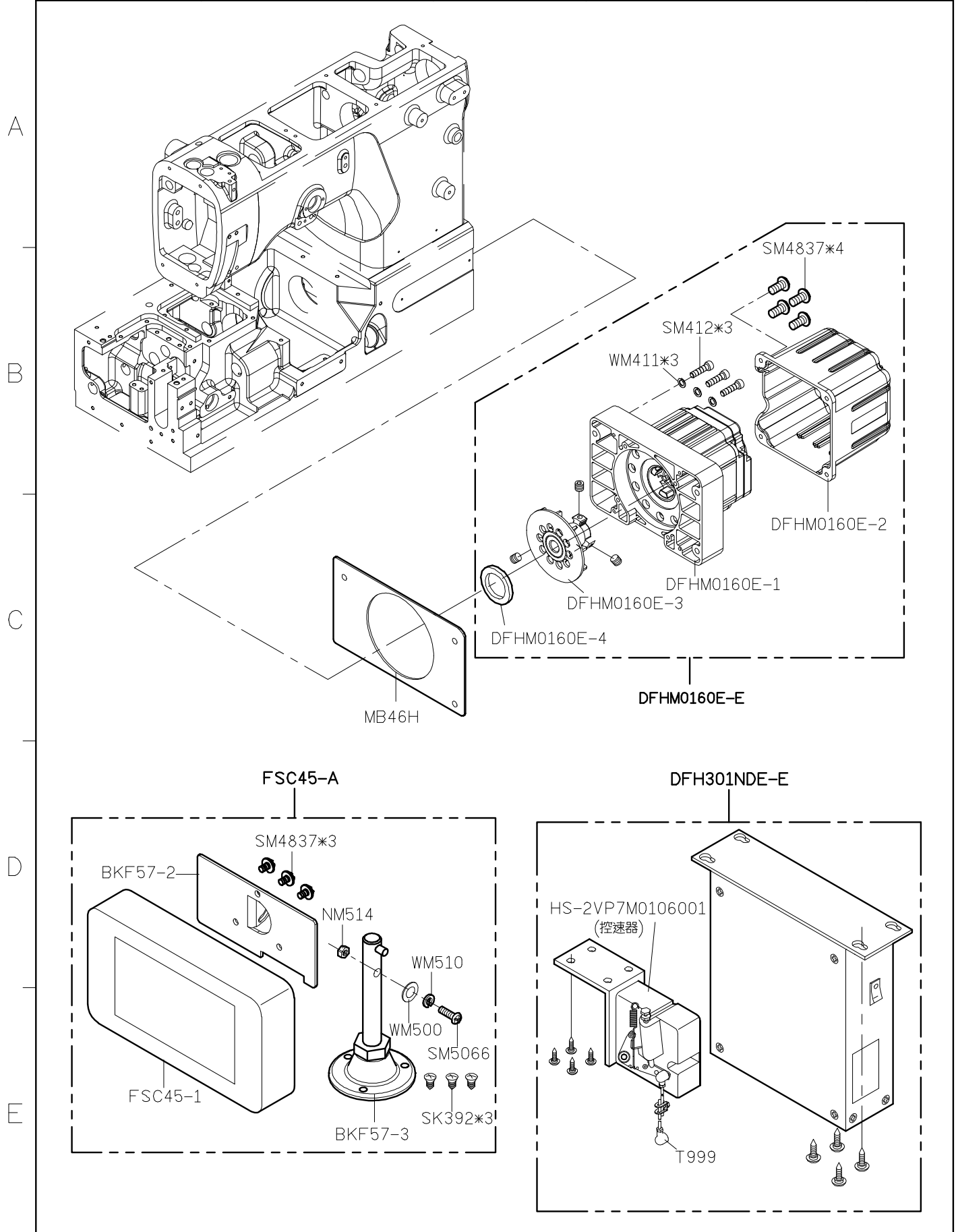
FSC07-A







SIRUBA PARTS LIST	Series	Parts Group	Subclass / Remark	Page
	F007KD	FSC	With Direct-Drive Motor	5/5
				Date 2021/5/25



1

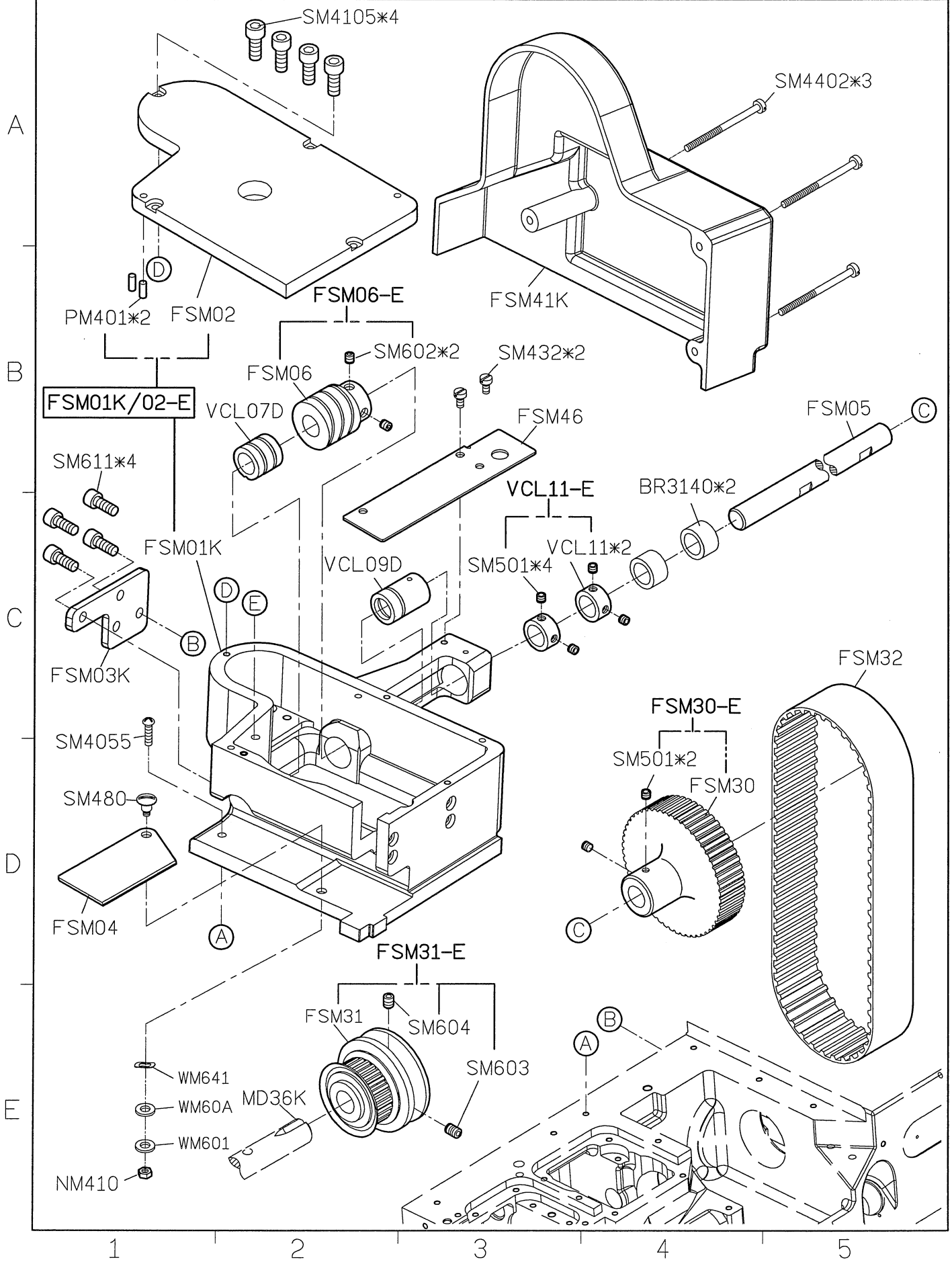
2

3

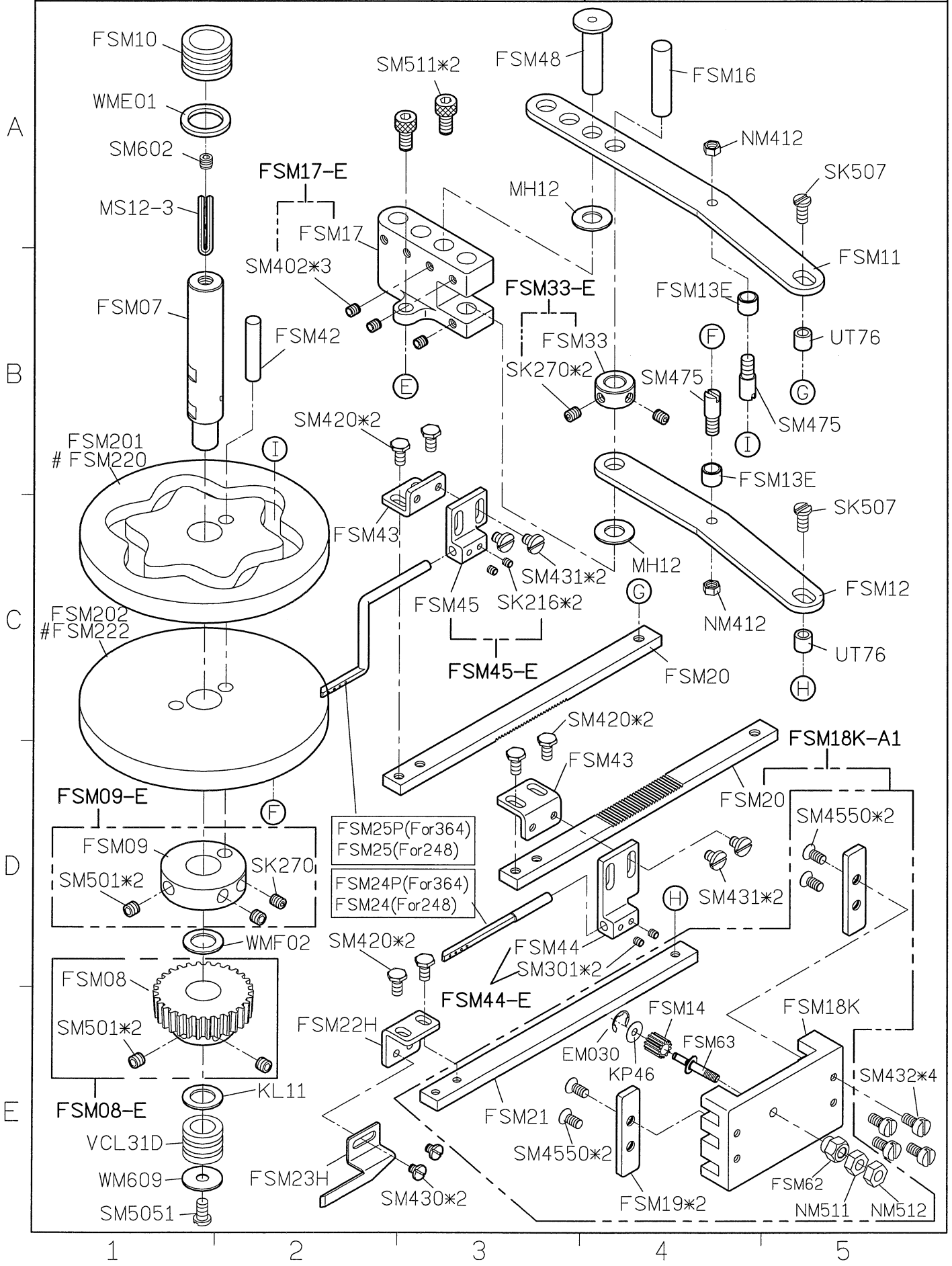
4

5

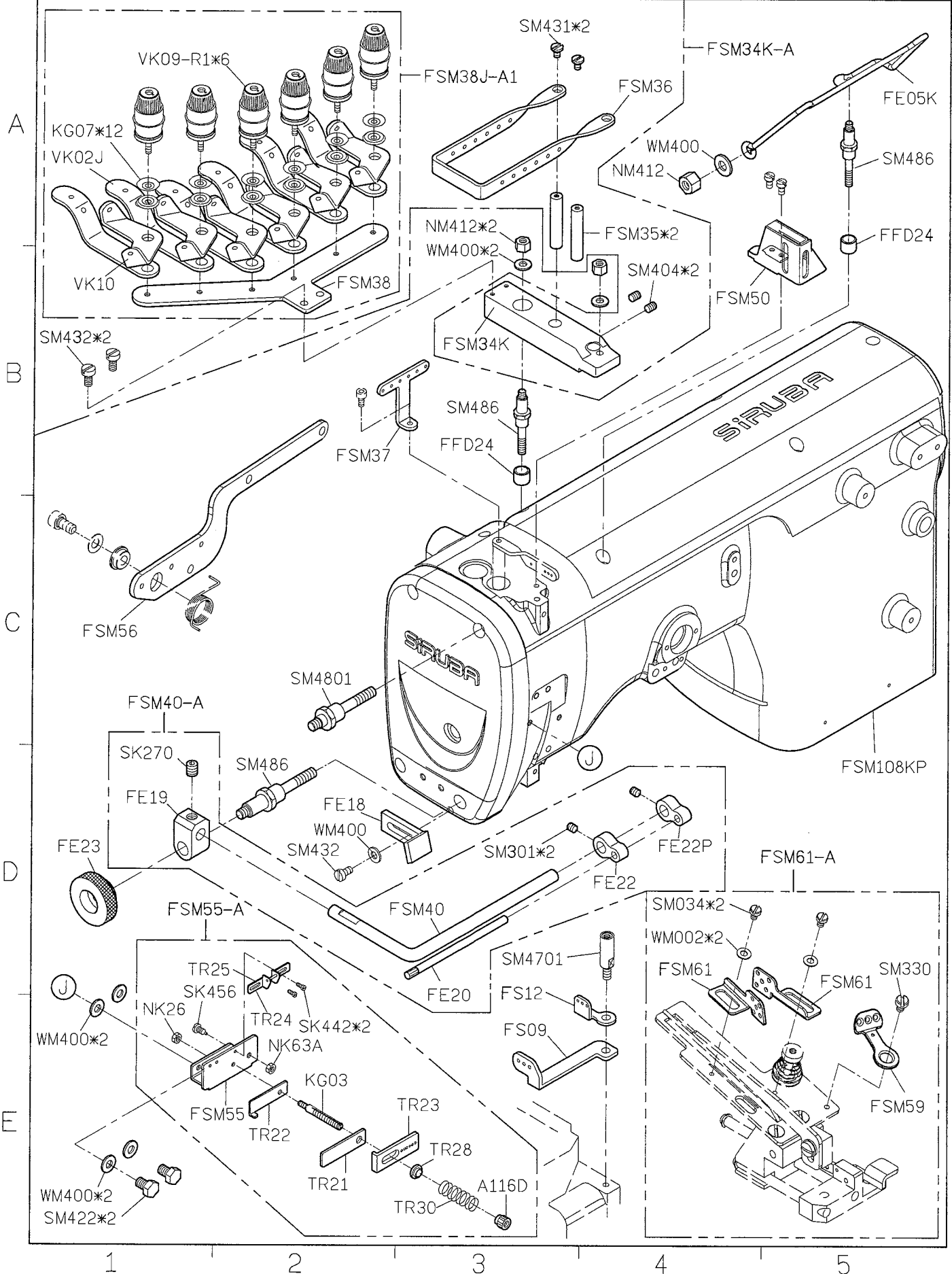
SIRUBA PARTS LIST	Series	Parts Group	Subclass / Remark	Page
	F007K F858K	FSM-K	Not for Direct-Drive Motor	1/6
				Date 2016/4/17



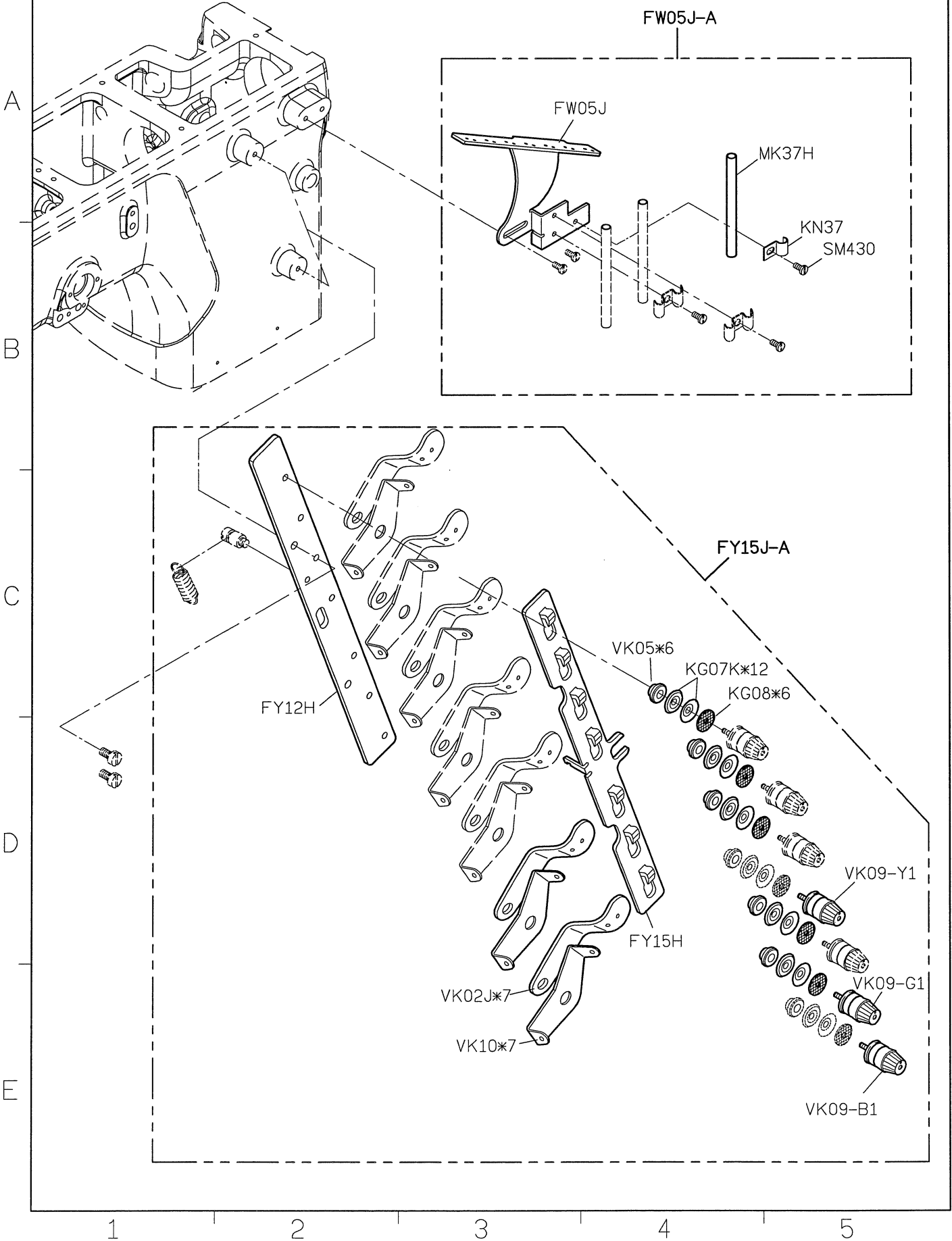
SIRUBA PARTS LIST	Series	Parts Group	Subclass / Remark	Page
	F007K F858K	FSM-K	Not for Direct-Drive Motor # FSM220/222 are backup	2/6
				Date 2016/4/17



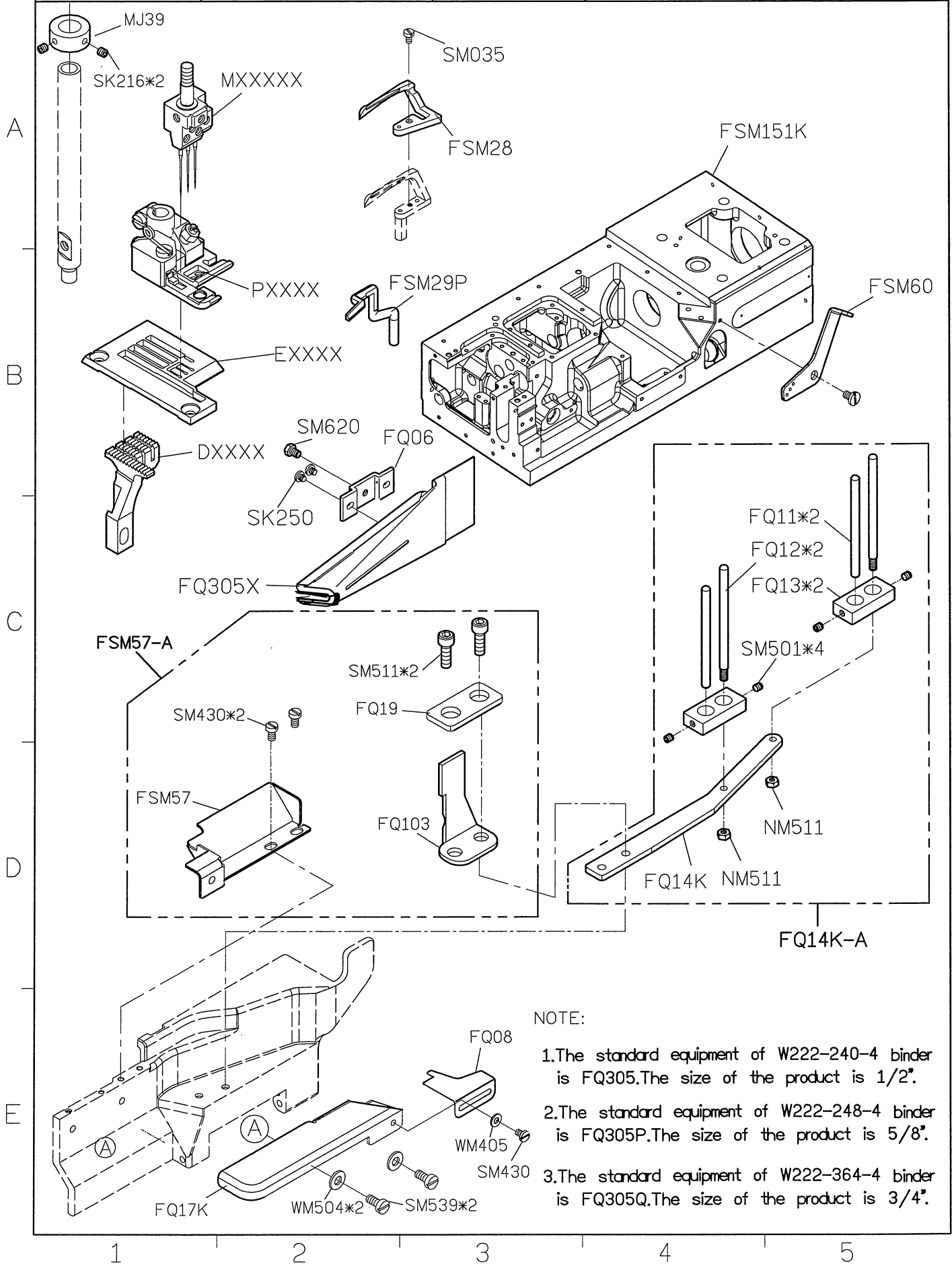
SIRUBA PARTS LIST	Series	Parts Group	Subclass / Remark	Page
	F007K F858K	FSM-K	Not for Direct-Drive Motor	3/6
				Date
				2020/1/25



SIRUBA PARTS LIST	Series	Parts Group	Subclass / Remark	Page
	F007K F858K	FSM-K	Not for Direct-Drive Motor	4/6
				Date 2016/6/8



SIRUBA PARTS LIST	Series	Parts Group	Subclass / Remark	Page
	F007K	FSM-K	Not for Direct-Drive Motor	5/6
	F858K			Date
				2016/4/17

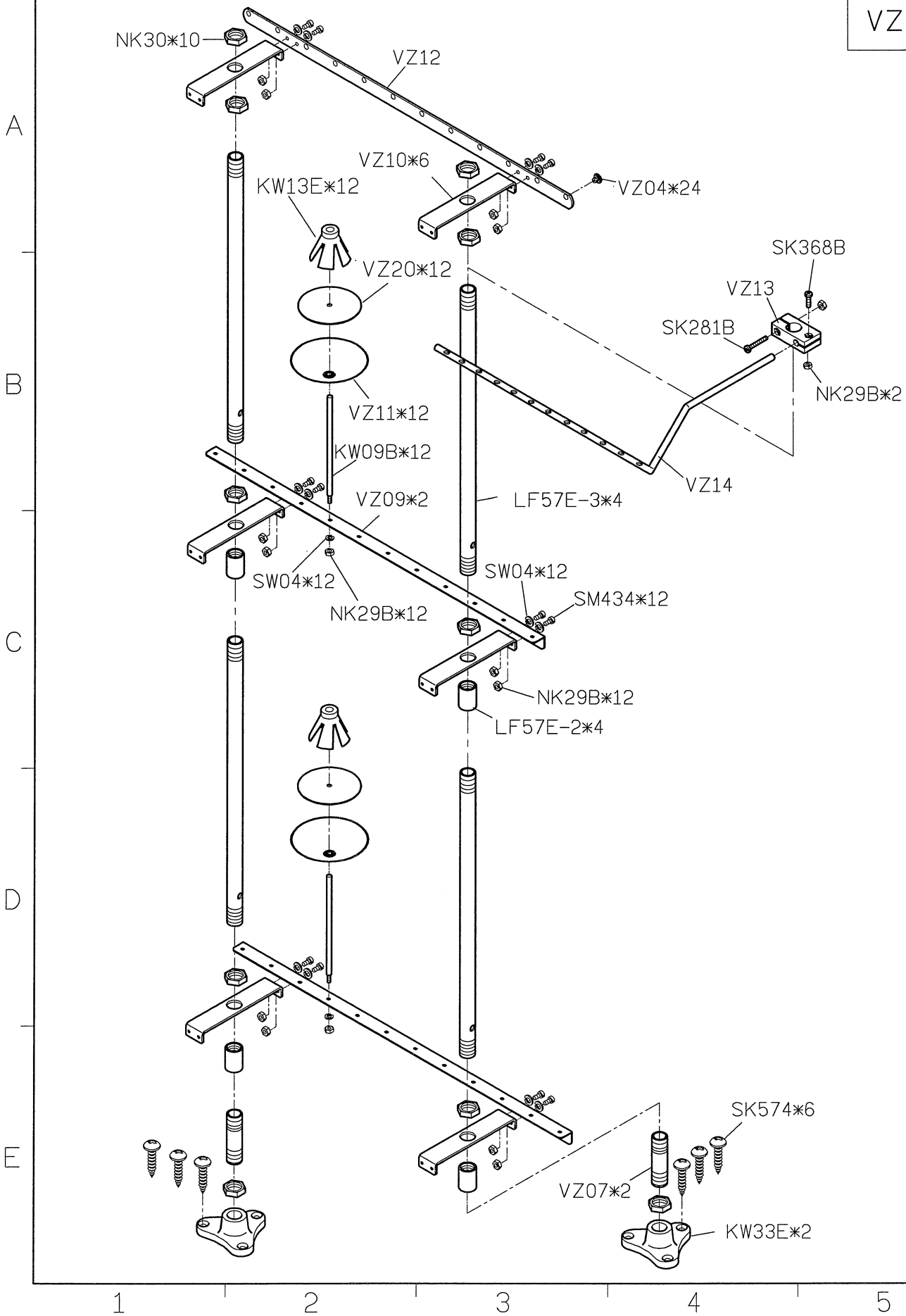


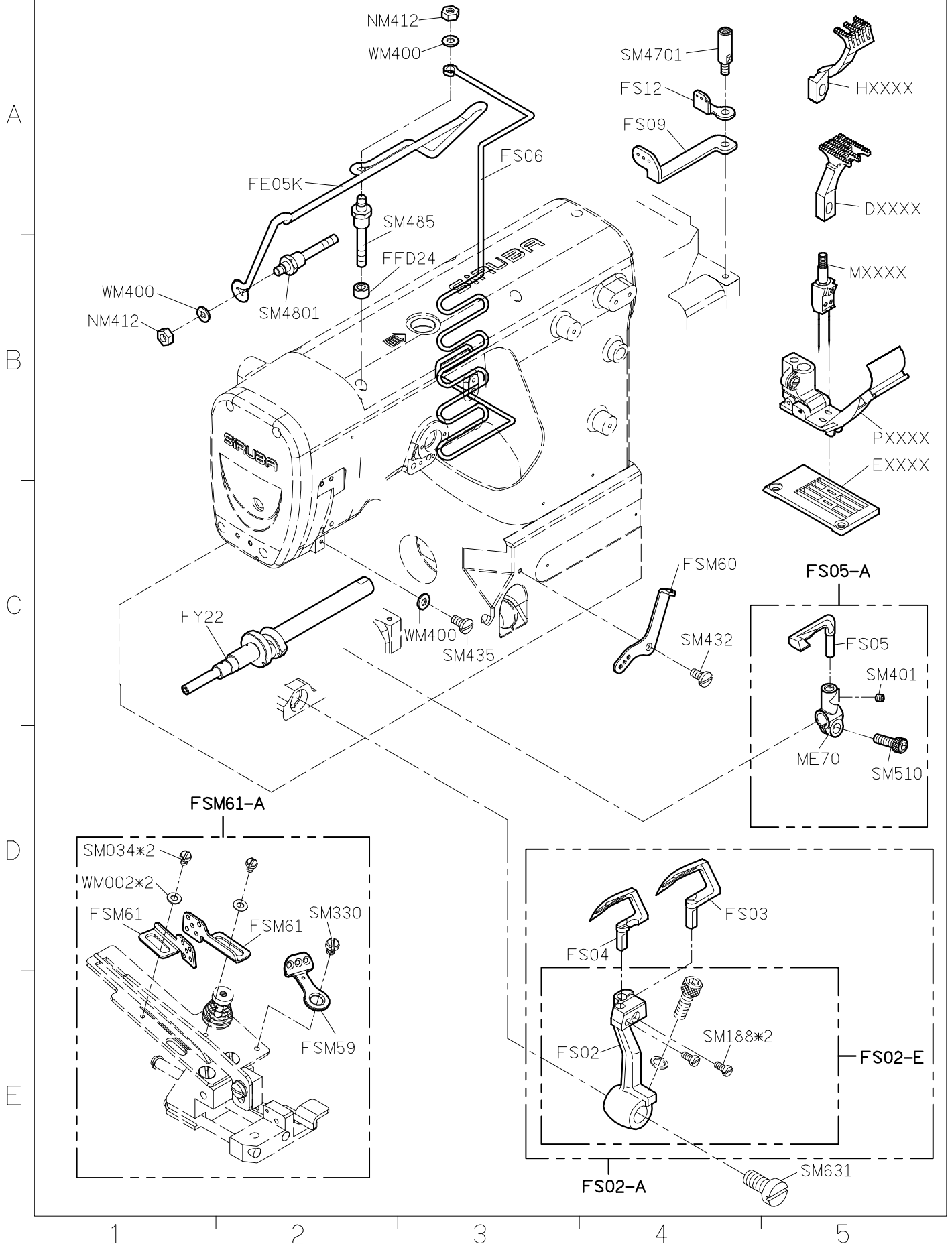
NOTE:

- 1.The standard equipment of W222-240-4 binder is FQ305.The size of the product is 1/2".
- 2.The standard equipment of W222-248-4 binder is FQ305P.The size of the product is 5/8".
- 3.The standard equipment of W222-364-4 binder is FQ305Q.The size of the product is 3/4".

SIRUBA PARTS LIST	Series	Parts Group	Subclass / Remark	Page
	F007K F858K	FSM-K	Not for Direct-Drive Motor	6/6
				Date
				2016/4/17

VZ07-A





SIRUBA

PARTS LIST

Series

**F007K/F007KD
F858K**

Parts Group

FSR-K

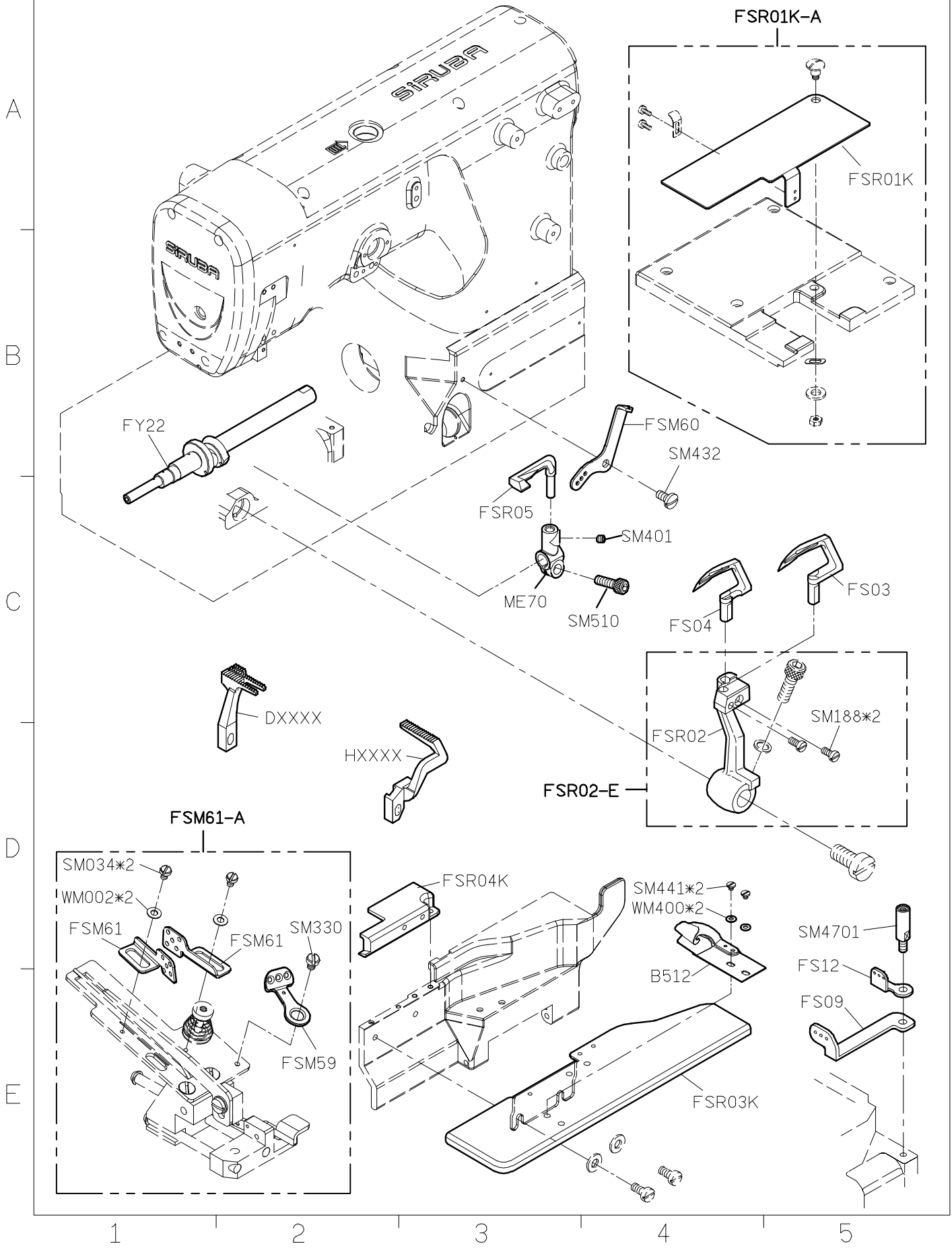
Subclass / Remark

Page

1/1

Date

2021/6/30



SIRUBA

PARTS LIST

Series

F007K/F007KD
F858K

Parts Group

FSS

Subclass / Remark

Page

1/3

Date

2016/9/5

MODEL	4111	496
PARTS NO	FSS01-A	FSS05-A

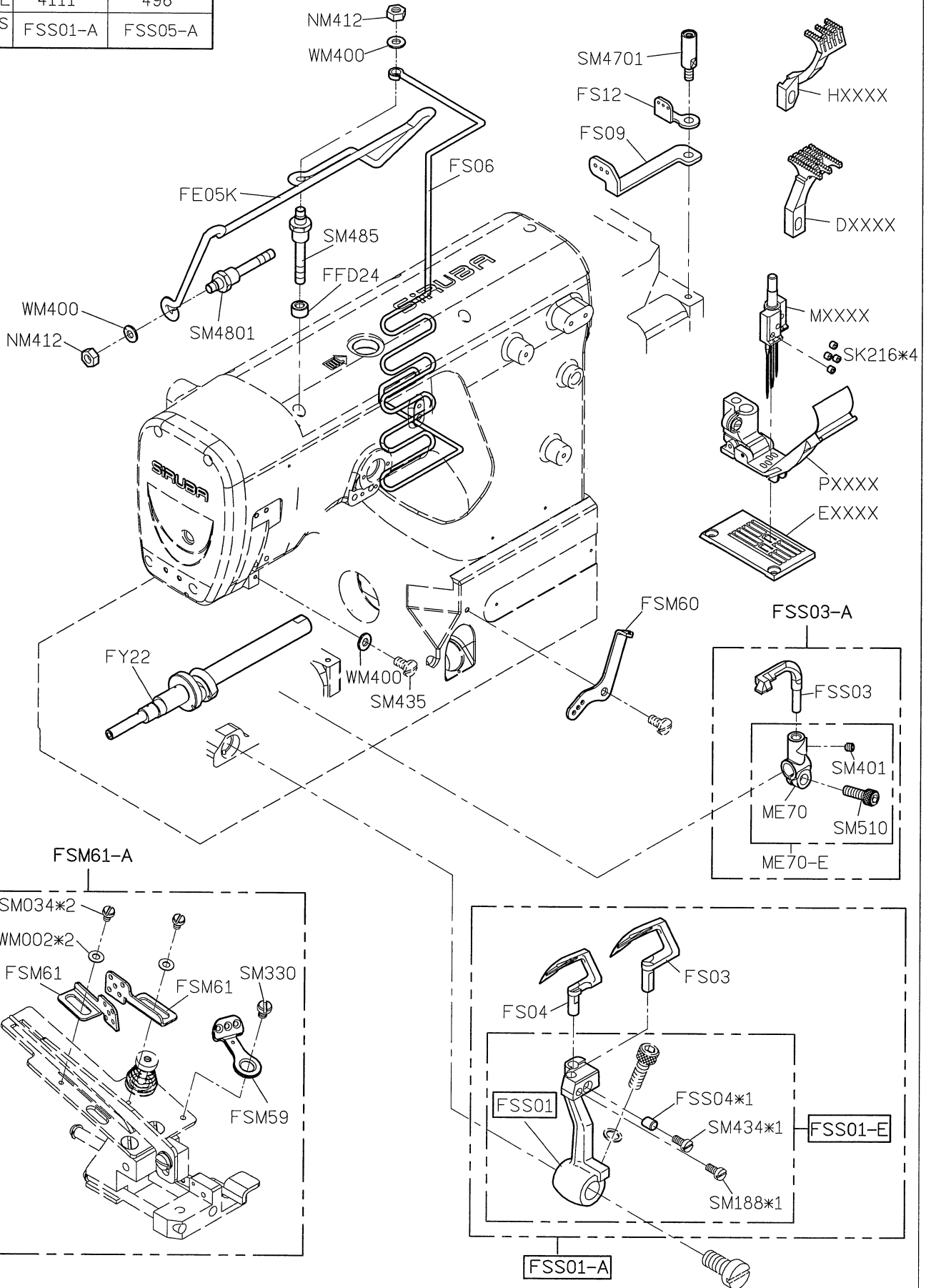
A

B

C

D

E



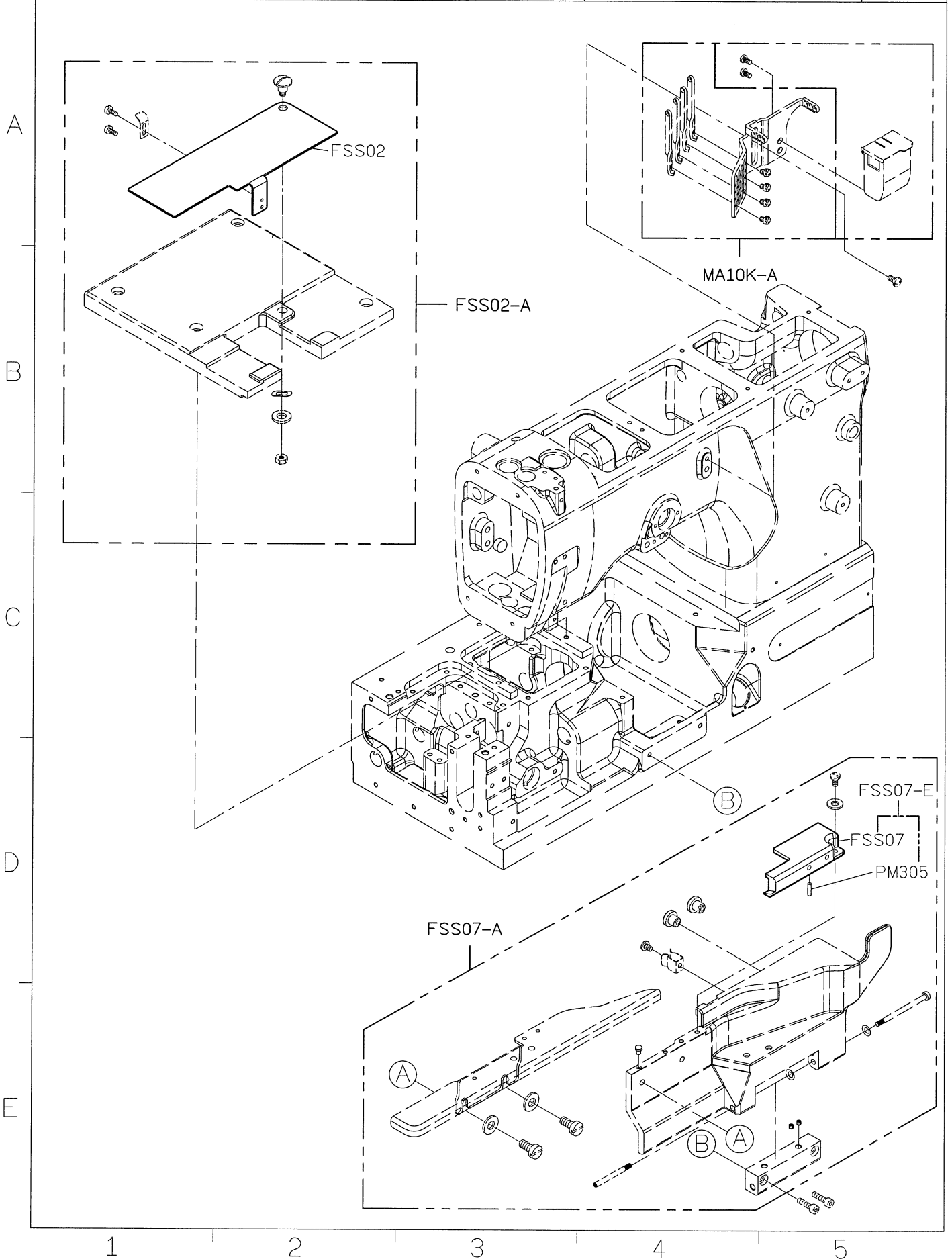
1

2

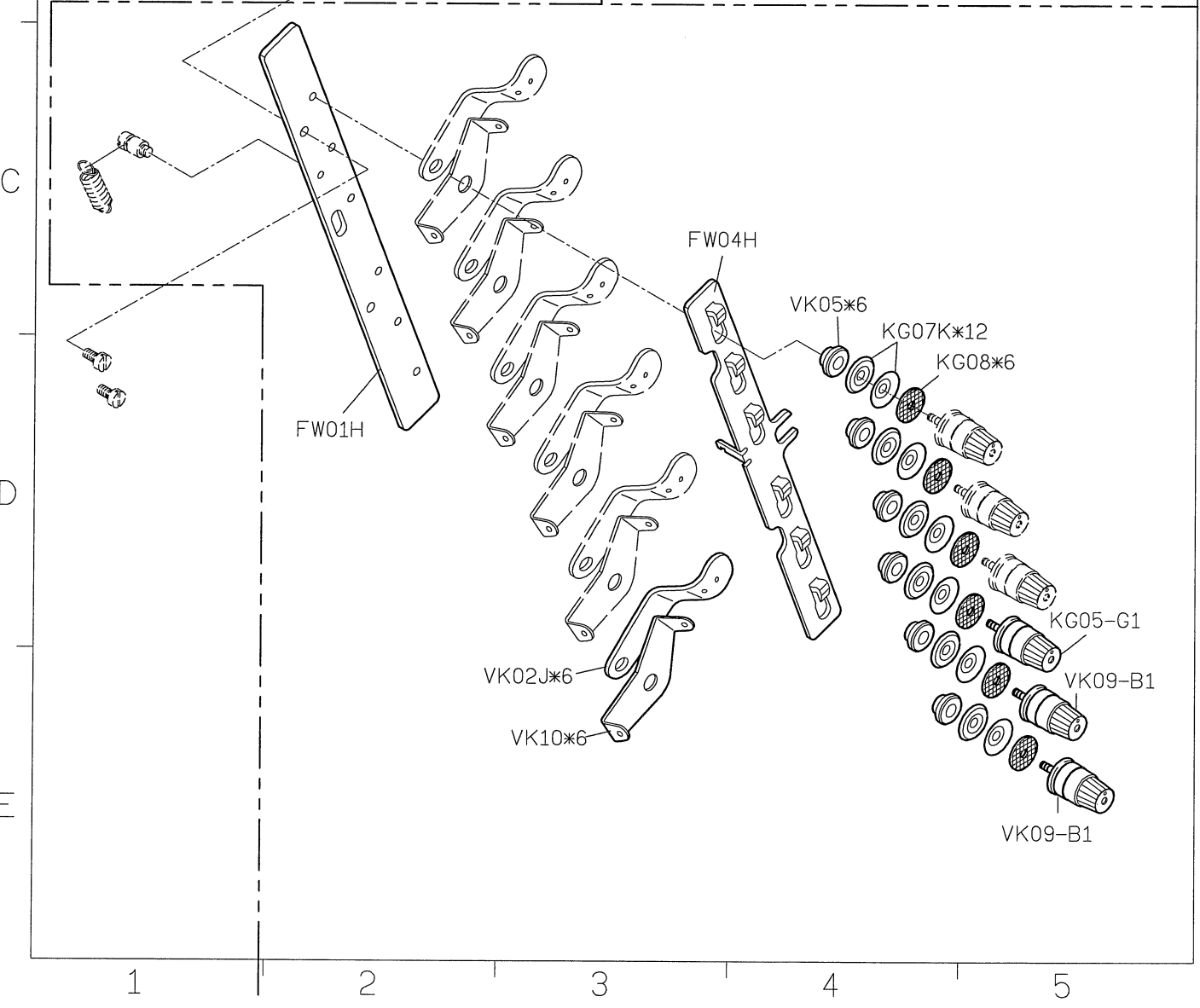
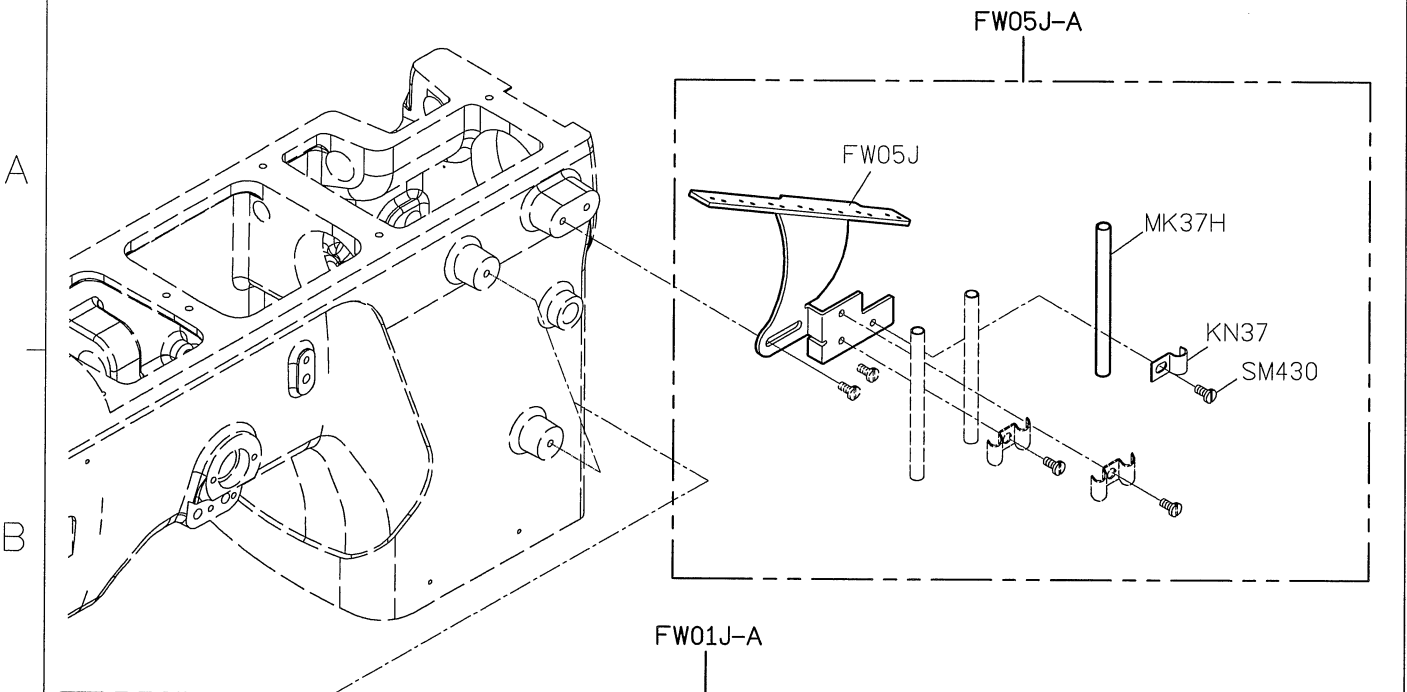
3

4

5



SIRUBA PARTS LIST	Series	Parts Group	Subclass / Remark	Page
	F007K/F007KD F858K	FSS		3/3
			Date	
			2016/9/5	



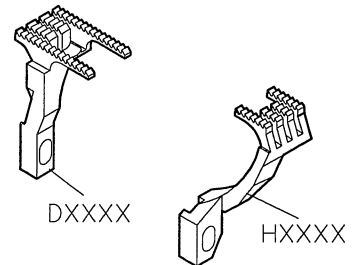
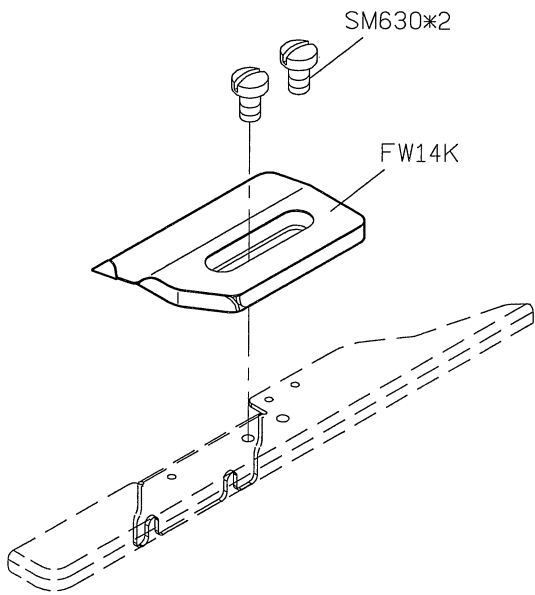
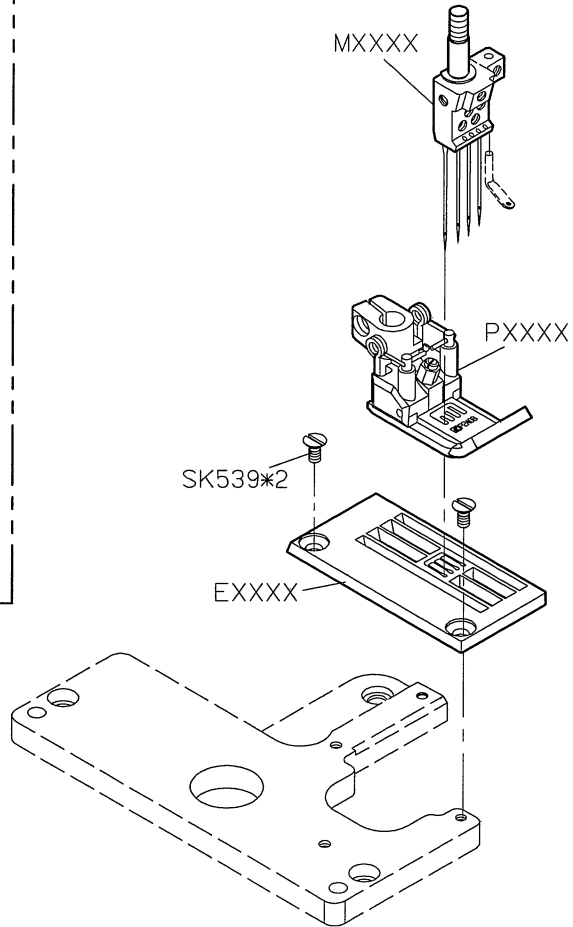
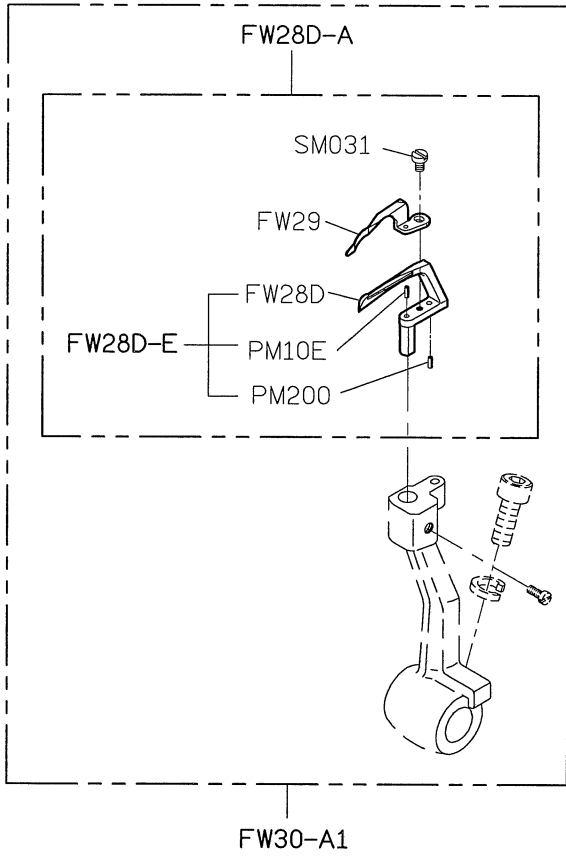
A

B

C

D

E



1

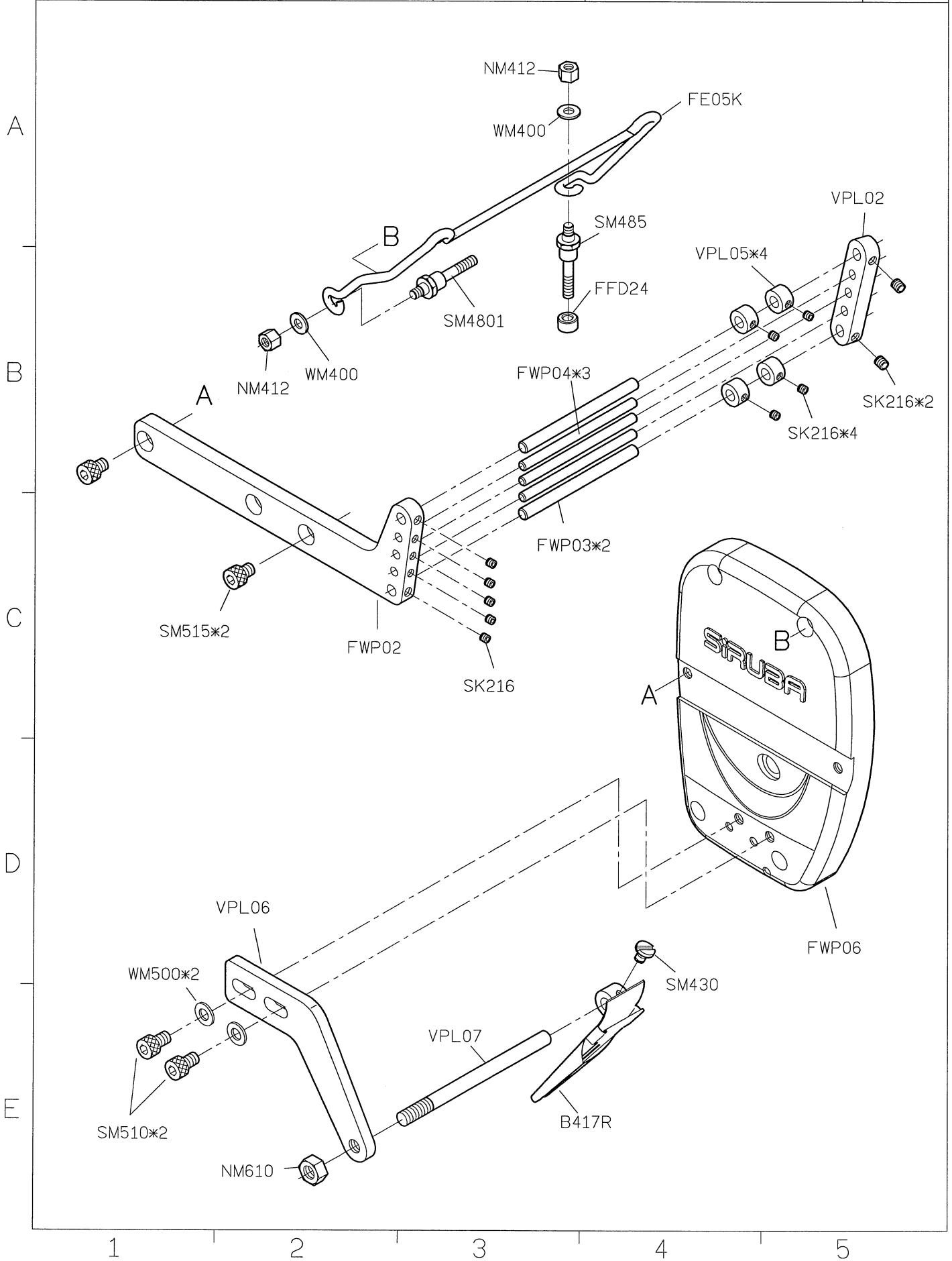
2

3

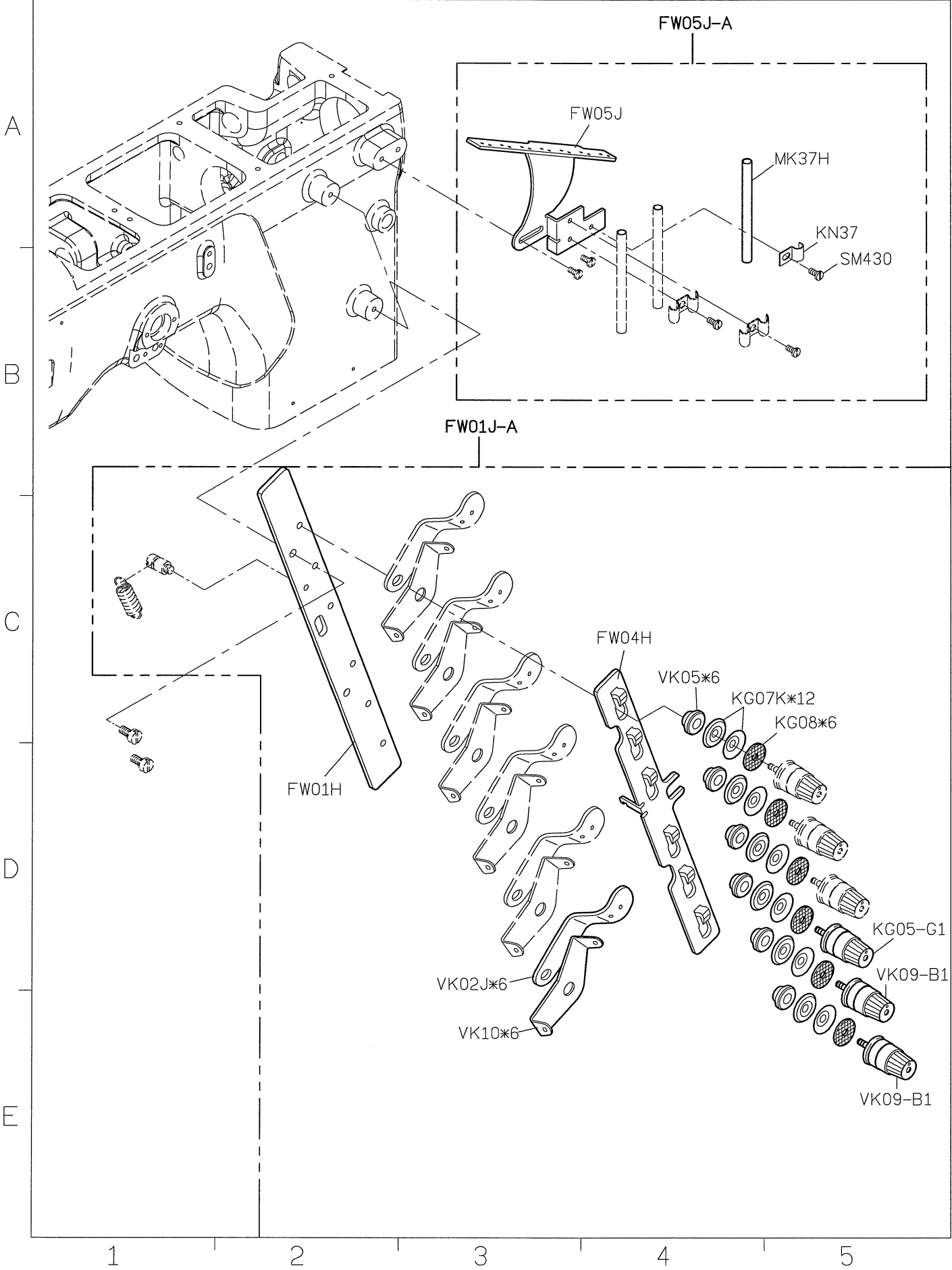
4

5

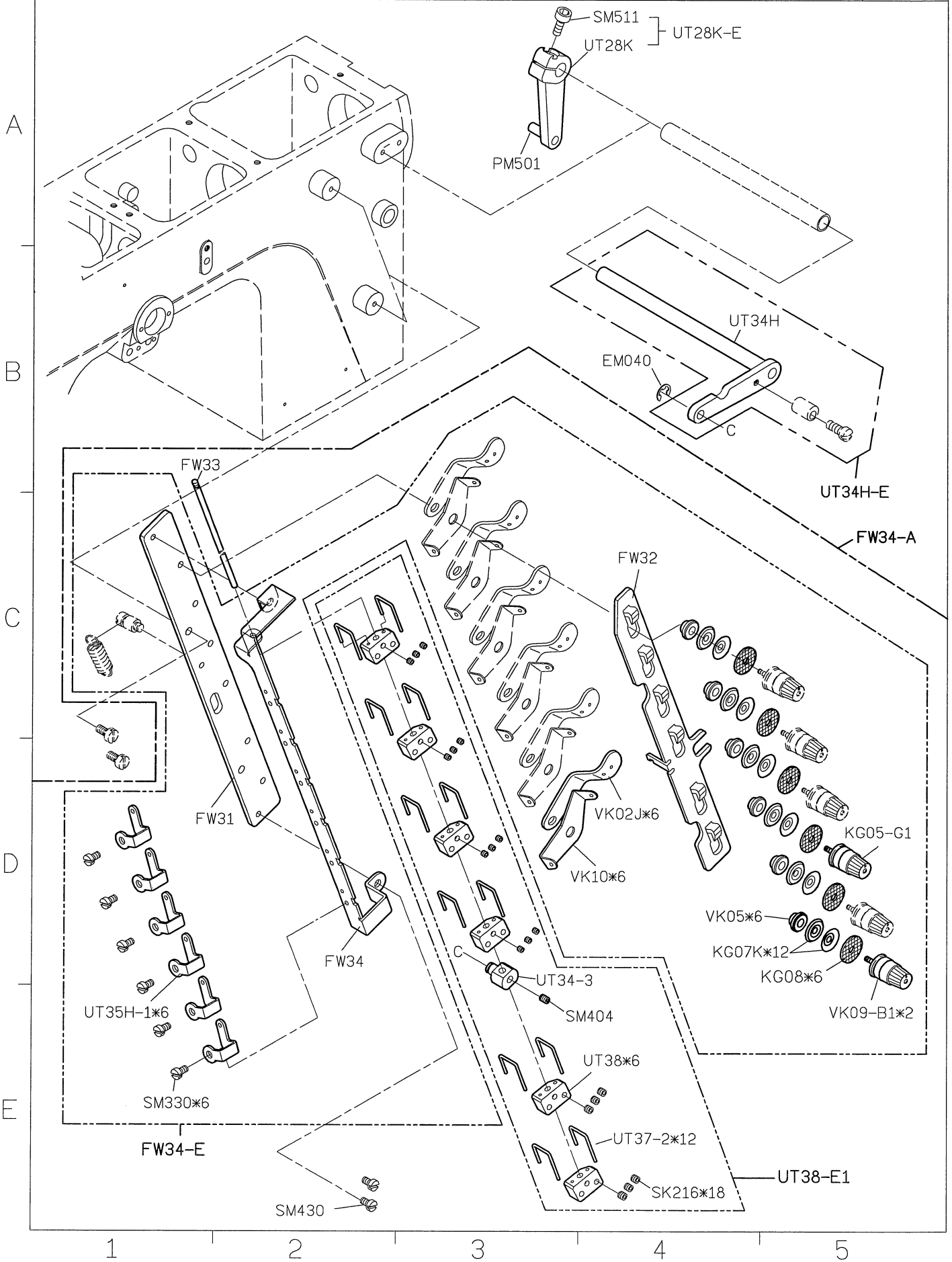
SIRUBA PARTS LIST	Serie	Parts Group	Subclass / Remark	Page
	F007K/F007KD	FWP-K		2/5
	F858K			Date
				2016/9/5



SIRUBA PARTS LIST	Serie	Parts Group	Subclass / Remark	Page
	F007K/F007KD F858K	FW(FWP)-K		3/5
				Date
				2016/9/5

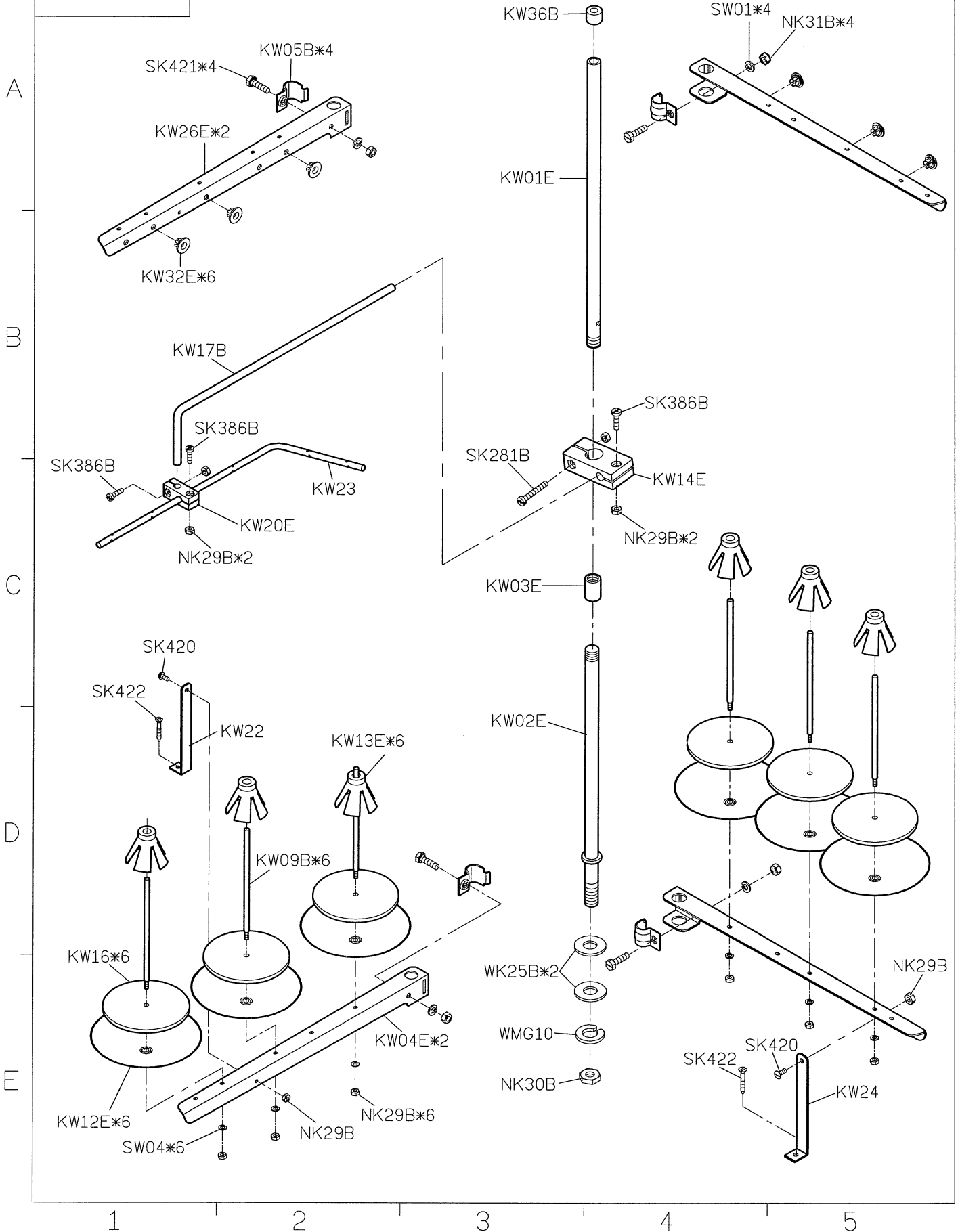


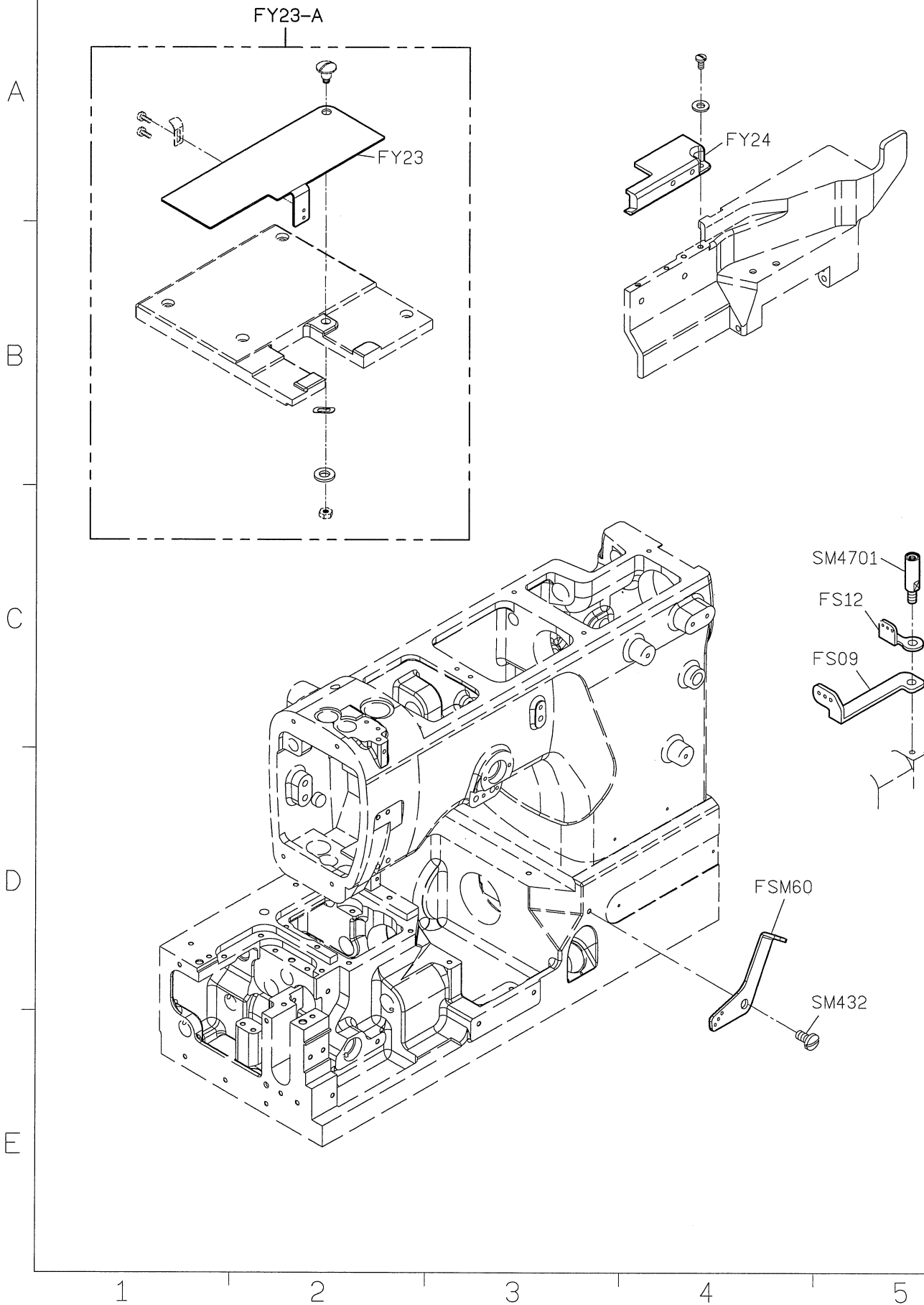
SIRUBA PARTS LIST	Serie	Parts Group	Subclass / Remark	Page
	F007K/F007KD F858K	FW(FWP)-K	For UTH	4/5
				Date
				2016/9/5



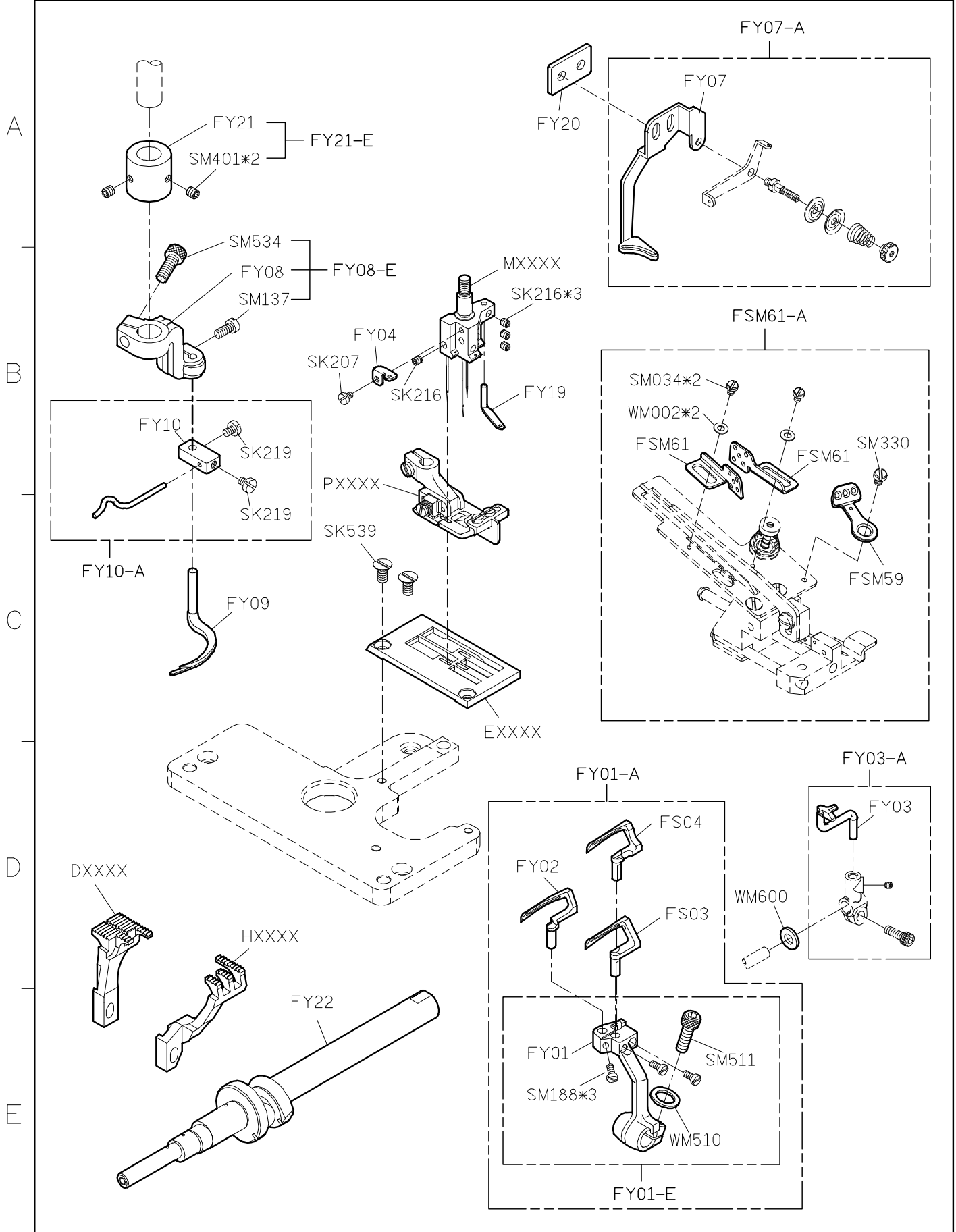
SIRUBA PARTS LIST	Serie	Parts Group	Subclass / Remark	Page
	F007K/F007KD F858K	FW(FWP)-K		5/5
				Date
				2016/9/5

KW40E-A3





SIRUBA PARTS LIST	Series	Parts Group	Subclass / Remark	Page
	F007K/F007KD	FY-K		2/4
	F858K			Date
				2021/6/30



1

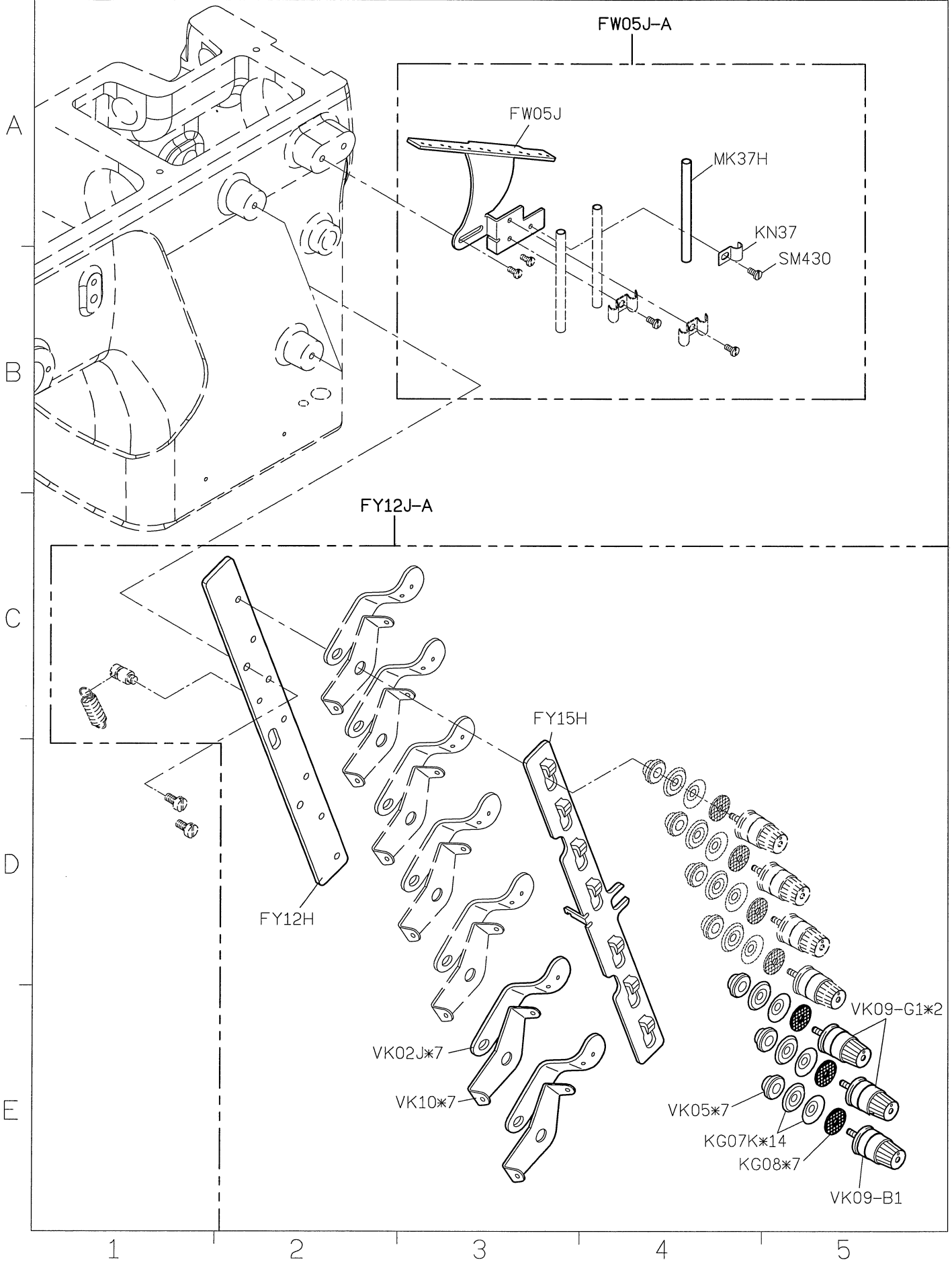
2

3

4

5

SIRUBA PARTS LIST	Series	Parts Group	Subclass / Remark	Page
	F007K/F007KD F858K	FY-K		3/4
				Date
				2016/9/5



SIRUBA

PARTS LIST

Series
**F007K/F007KD
F858K**

Parts Group
FY-K

Subclass / Remark

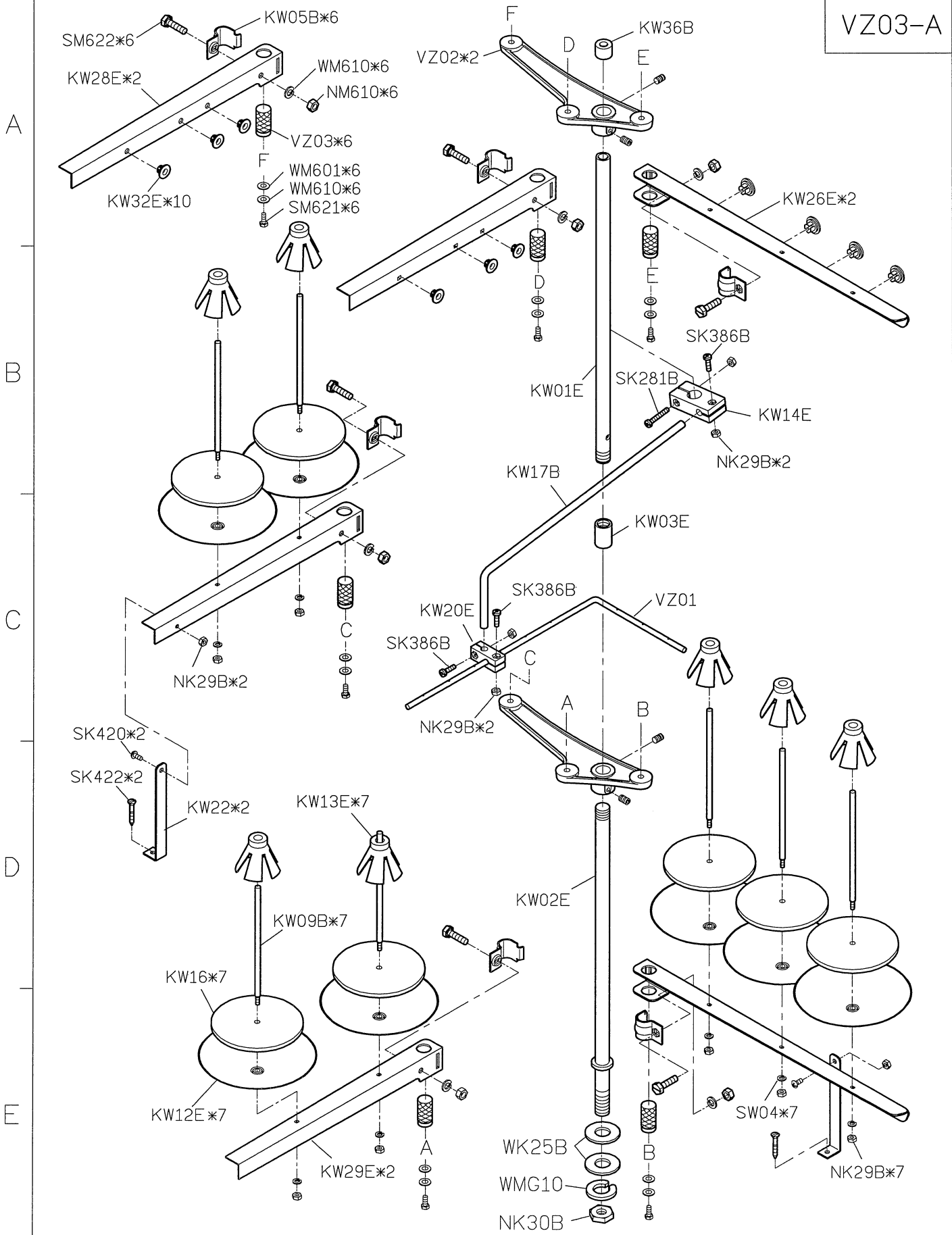
Page

4/4

Date

2016/9/5

VZ03-A



1 2 3 4 5

SIRUBA

PARTS LIST

Series

F007K
F858K

Parts Group

LFA

Subclass / Remark

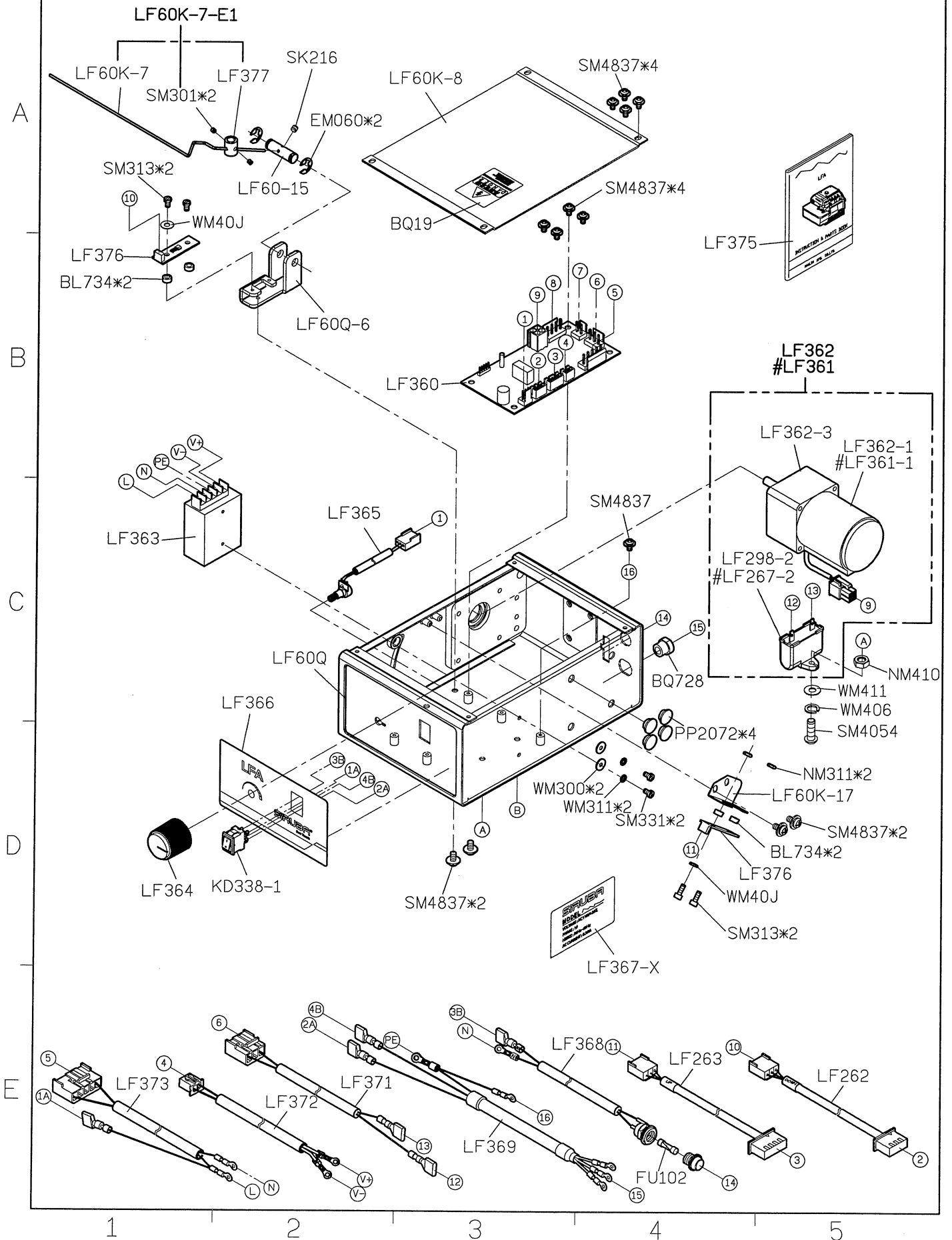
: Use for 110V

Page

2/3

Date

2016/6/2



SIRUBA

PARTS LIST

Series

F007K
F858K

Parts Group

LFA

Subclass / Remark

Page

3/3

Date

2016/6/2

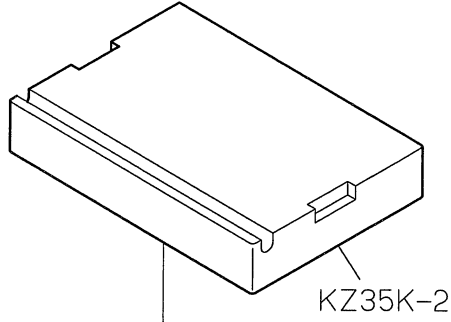
A

B

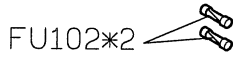
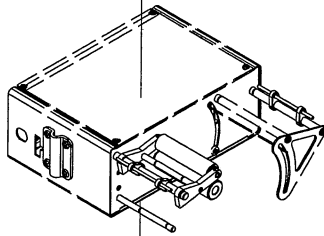
C

D

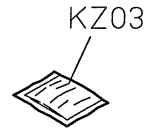
E



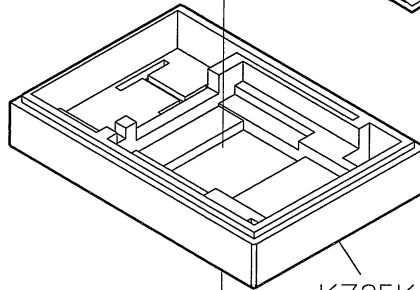
KZ35K-2



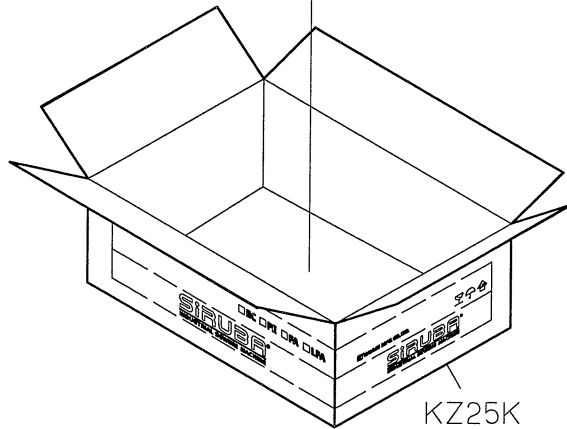
FU102*2



KZ03



KZ35K-1



KZ25K

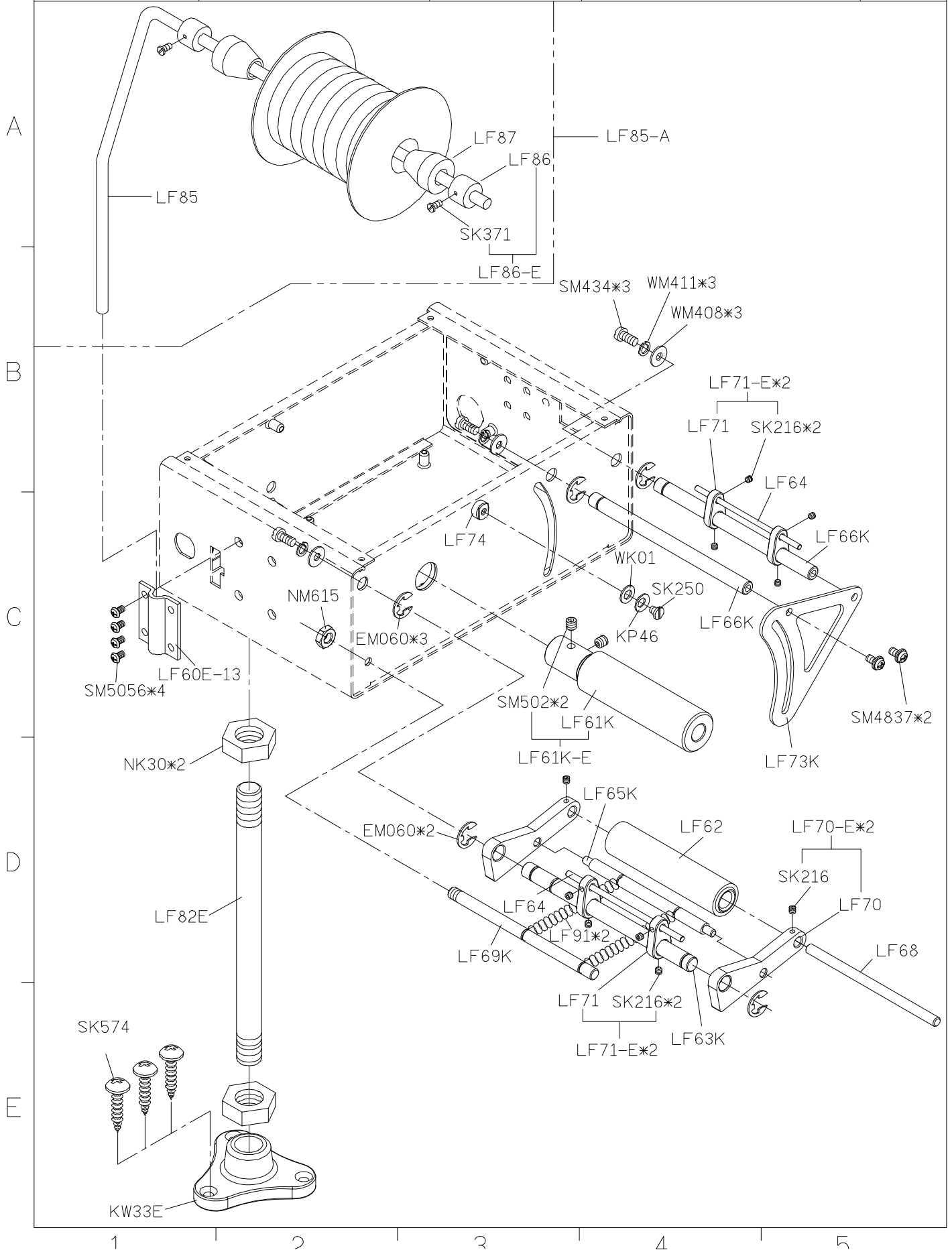
1

2

3

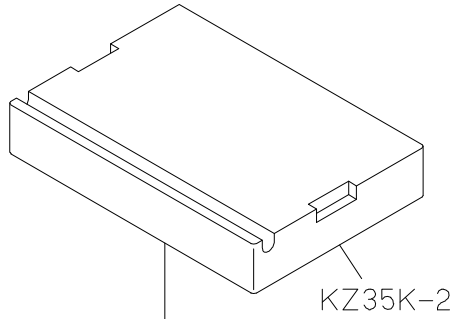
4

5

SIRUBA**PARTS LIST****Series****F007K/F007KD
F858K/F858KD****Parts Group****LFAK****Subclass / Remark****Page****1/3****Date****2013/03/25**

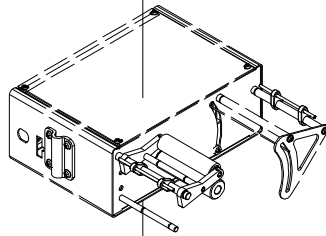
SIRUBA PARTS LIST	Series	Parts Group	Subclass / Remark	Page
	F007K/F007KD	LFAK		3/3
	F858K/F858KD			Date
				2013/03/25

A

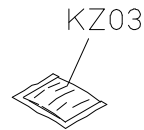


KZ35K-2

B

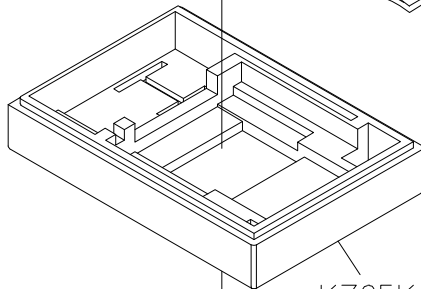


FU102*2



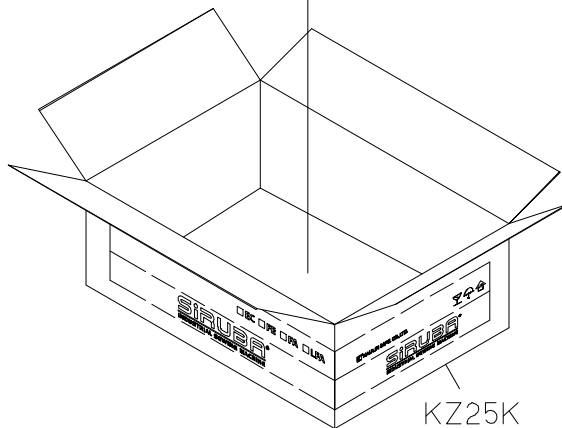
KZ03

C



KZ35K-1

D



KZ25K

E

1

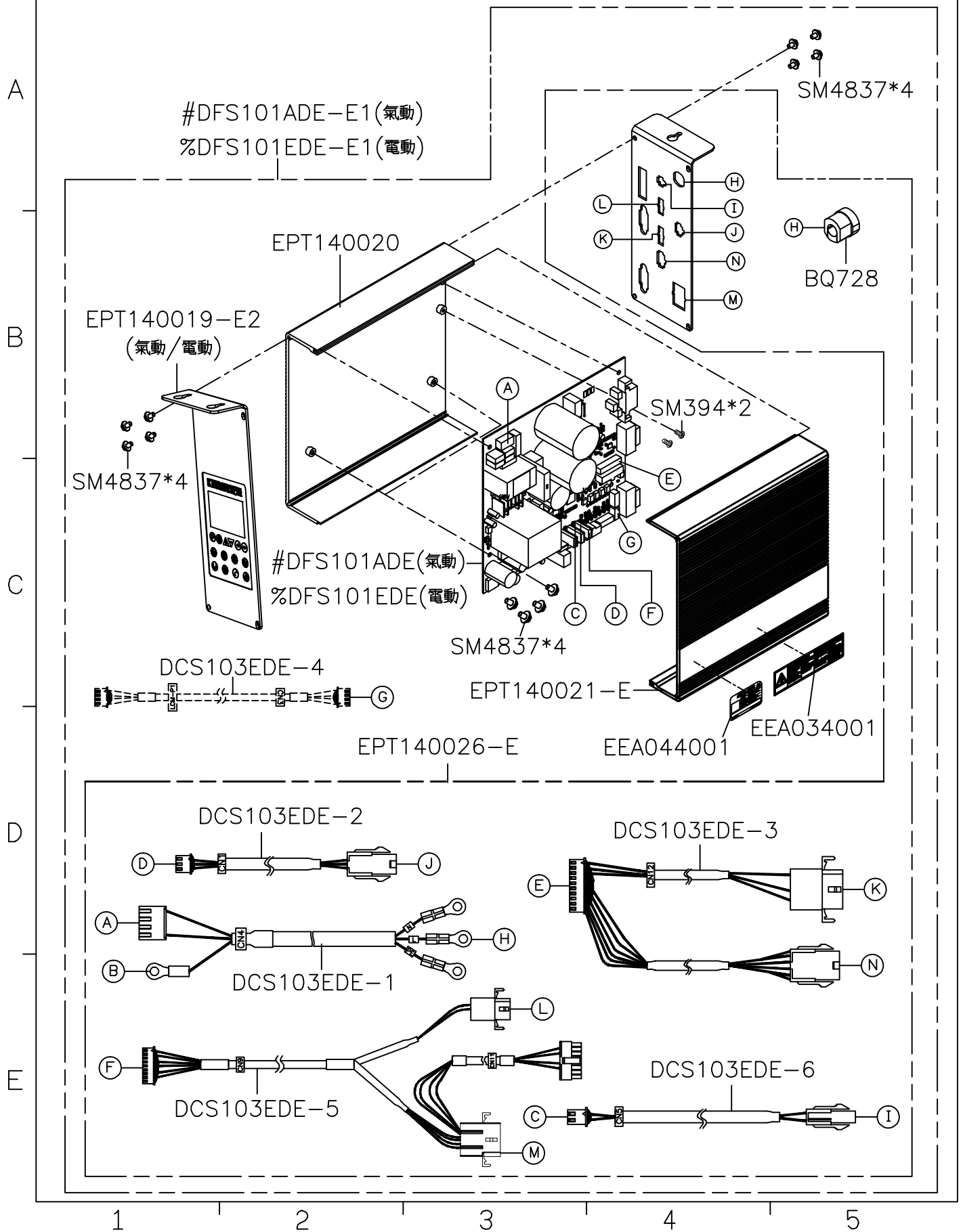
2

3

4

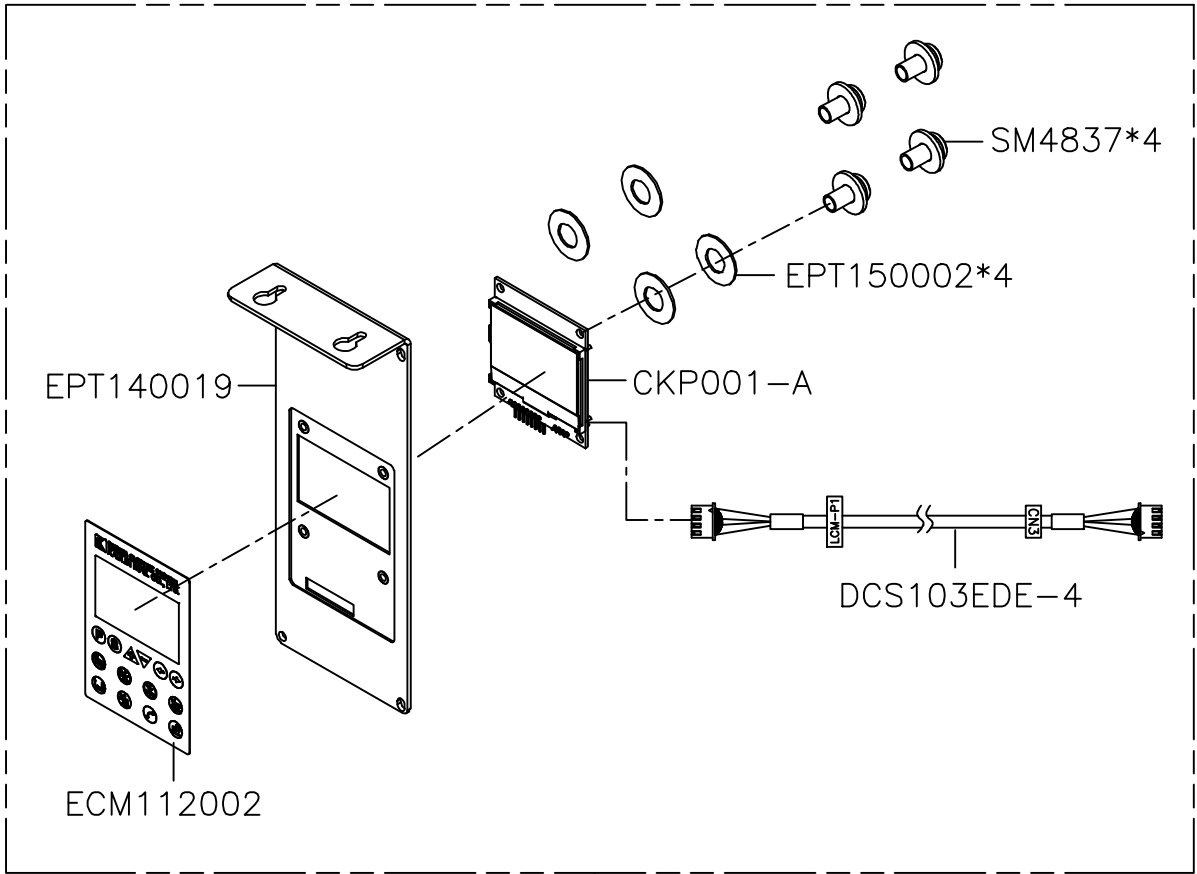
5

SIRUBA PARTS LIST	Series	Parts Group	Subclass / Remark	Page
	F007KD	ST-600W-01	# For Pneumatic Automatic % For Electric Automatic	1/6
				Date
				2024/9/06



SIRUBA PARTS LIST	Series	Parts Group	Subclass / Remark	Page
	F007KD	ST-600W-01	-	2/6
				Date
				2024/09/08

A
B
C
D
E

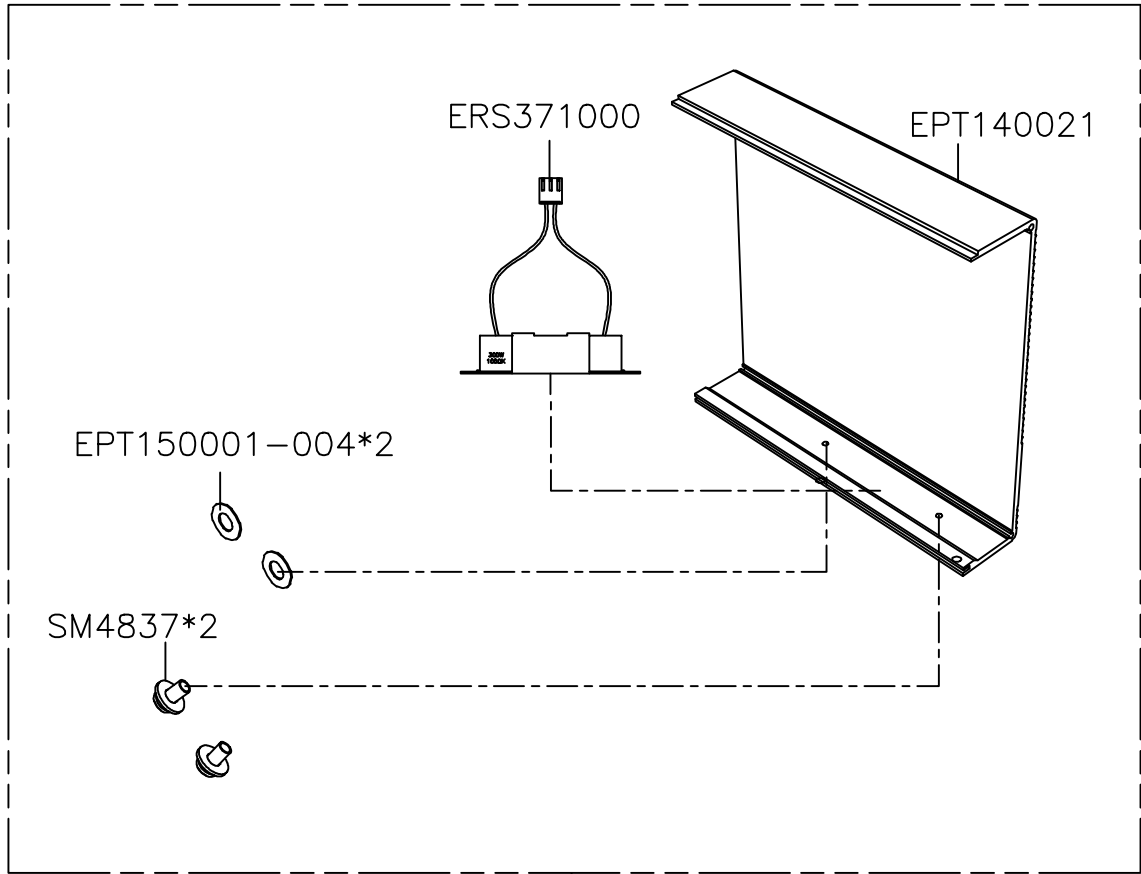


EPT140019-E2

1 2 3 4 5

SIRUBA PARTS LIST	Series	Parts Group	Subclass / Remark	Page
	F007KD	ST-600W-01	-	3/6
				Date
				2024/09/08

A
B
C
D
E



EPT140021-E

1 2 3 4 5

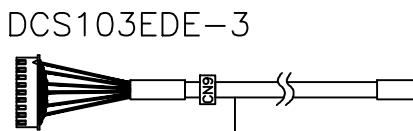
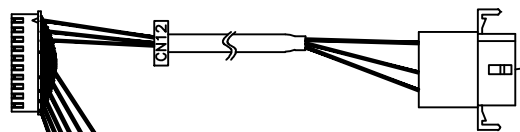
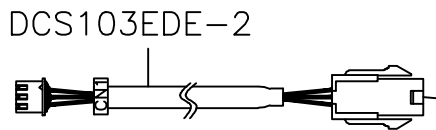
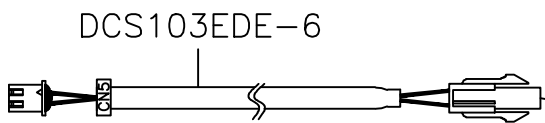
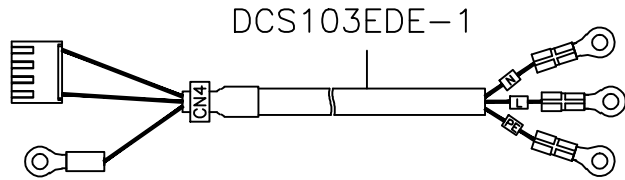
A

B

C

D

E



EPT140026

BQ728

EPT140026-E

1

2

3

4

5

SIRUBA PARTS LIST	Series	Parts Group	Subclass / Remark	Page
	F007KD	ST-600W-01	# For Pneumatic Automatic % For Electric Automatic	5/6
				Date
				2024/9/06

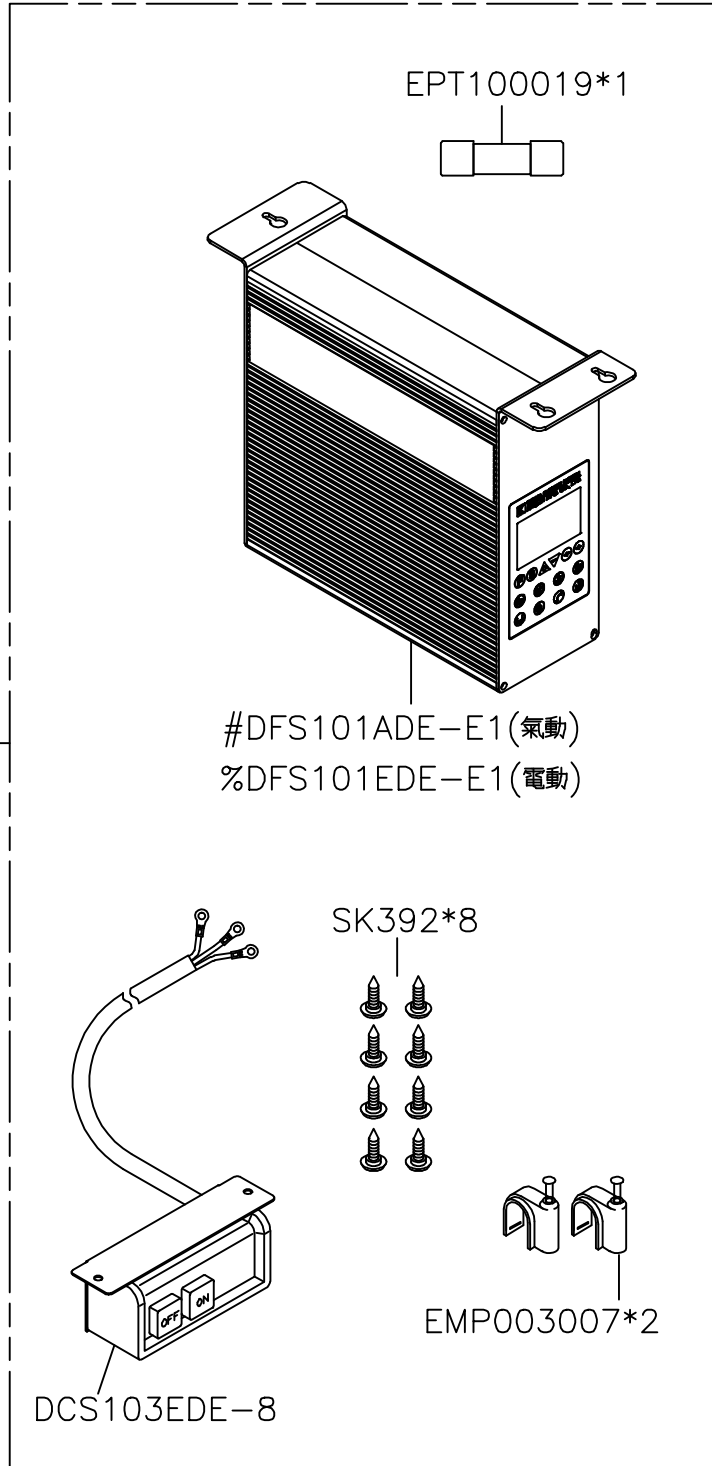
A

B

C

D

E



#DFS101ADE-A2(氣動)
 %DFS101EDE-A2(電動)

#DFS101ADE-E1(氣動)
 %DFS101EDE-E1(電動)

DCS103EDE-8

EPT100019*1

SK392*8

EMP003007*2

1

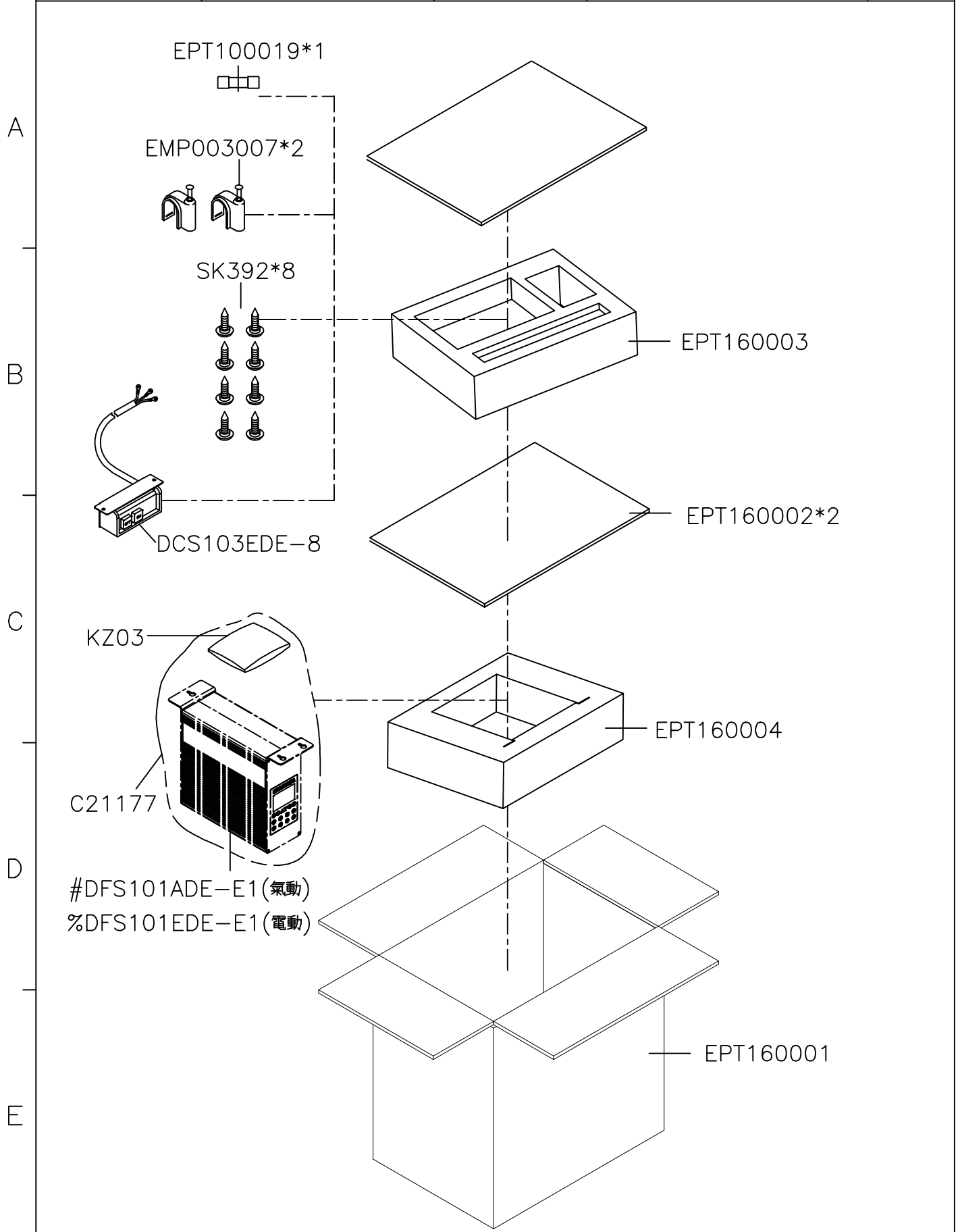
2

3

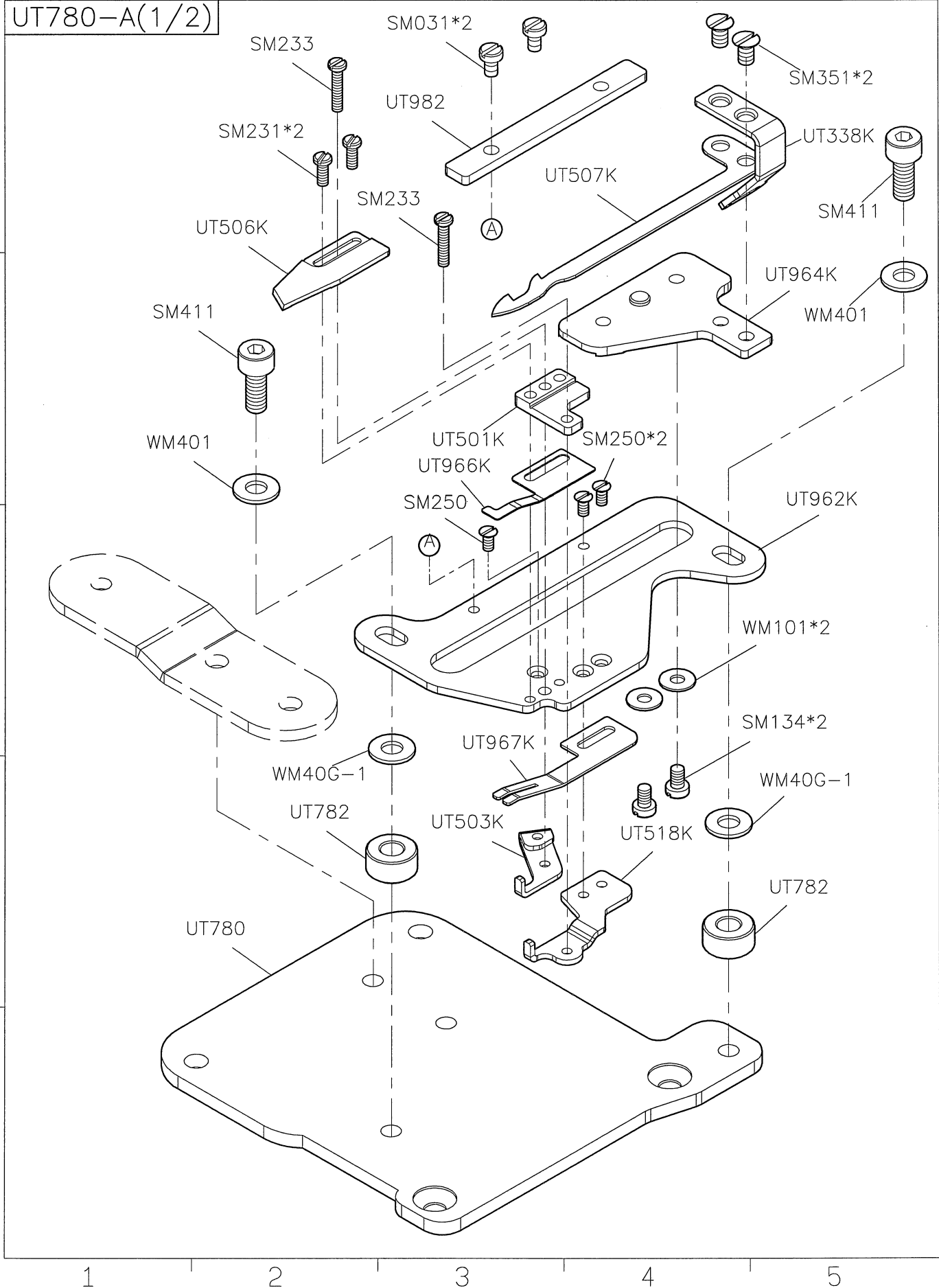
4

5

SIRUBA PARTS LIST	Series	Parts Group	Subclass / Remark	Page
	F007KD	ST-600W-01	# For Pneumatic Automatic % For Electric Automatic	6/6
				Date
				2024/09/08



SIRUBA PARTS LIST	Serie	Parts Group	Subclass / Remark	Page
	F007K/F007KD F858K	UTG(UTH)-K		1/10
				Date
				2016/9/6



SIRUBA

PARTS LIST

Serie

F007K/F007KD
F858K

Parts Group

UTG(UTH)-K

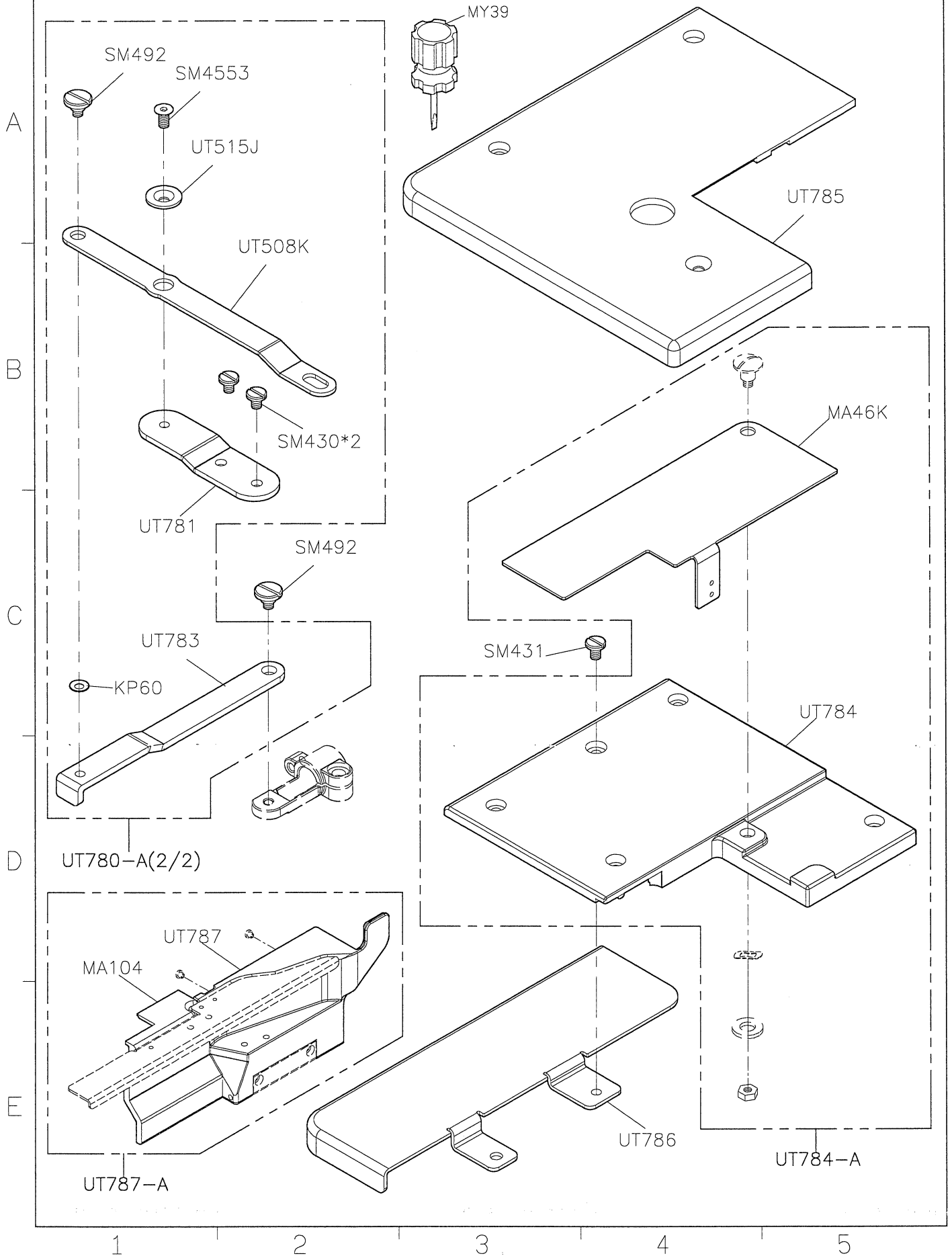
Subclass / Remark

Page

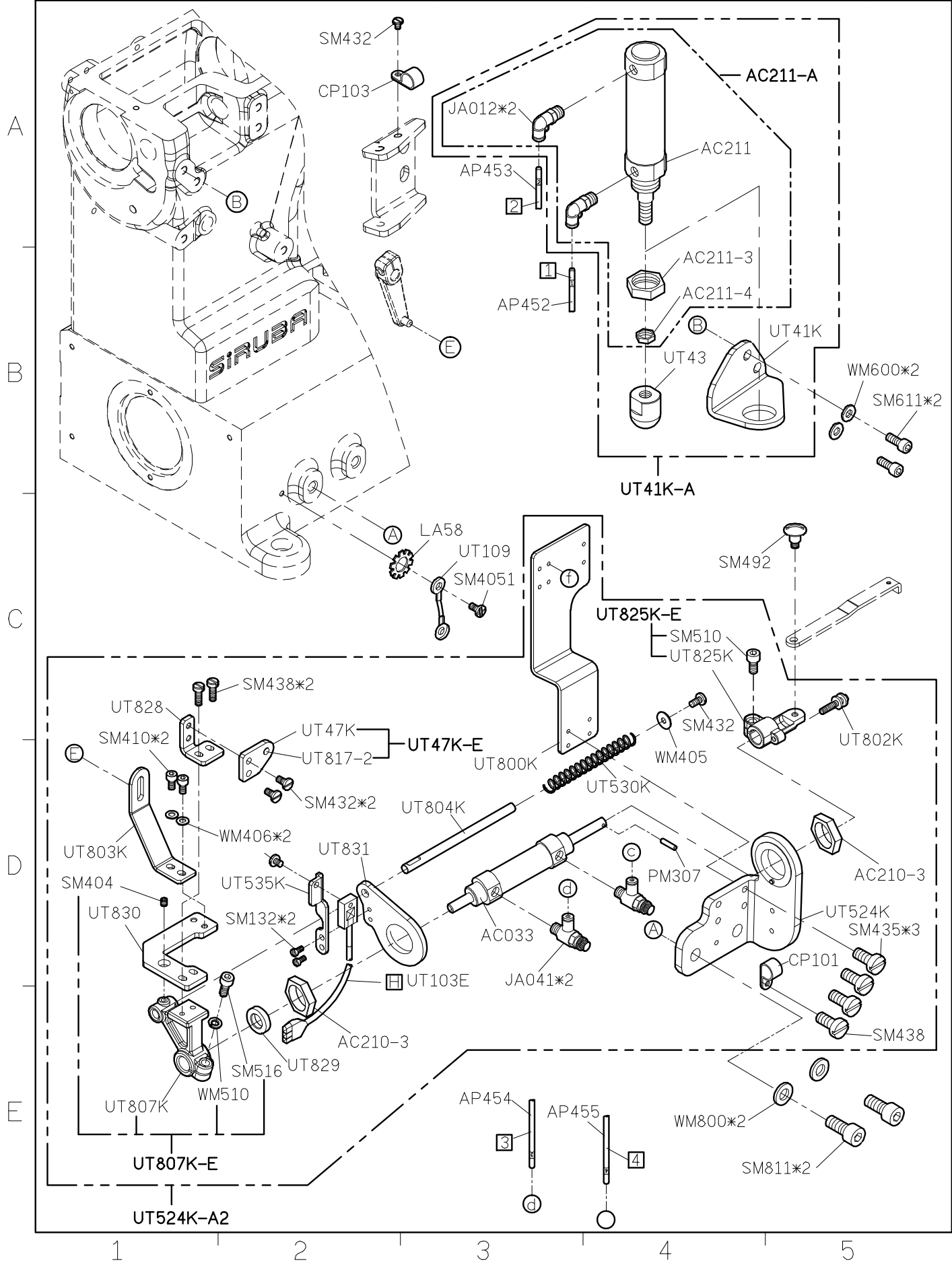
2/10

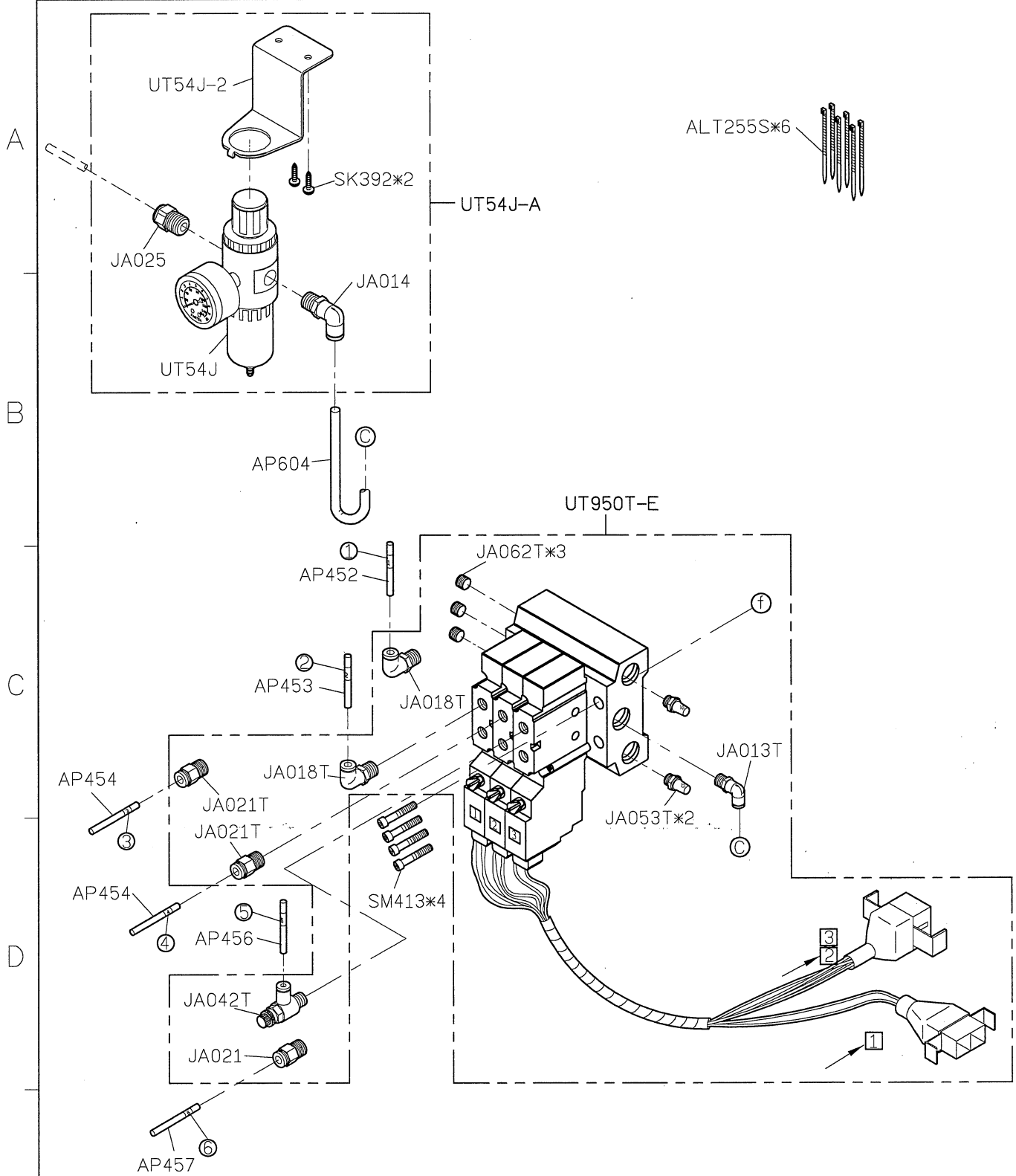
Date

2018/03/06



SIRUBA PARTS LIST	Series	Parts Group	Subclass / Remark	Page
	F007K/F007KD F858K	UTG(UTH)-K	☐ : For H brand motor	3/10
				Date 2020/4/13





- ① LIFT PRESSER FOOT
- ② LOOP TRIMMER
- ③ TOP CUTTER (WIPER)

SIRUBA

PARTS LIST

Serie

F007K/F007KD
F858K

Parts Group

UTG(UTH)-K

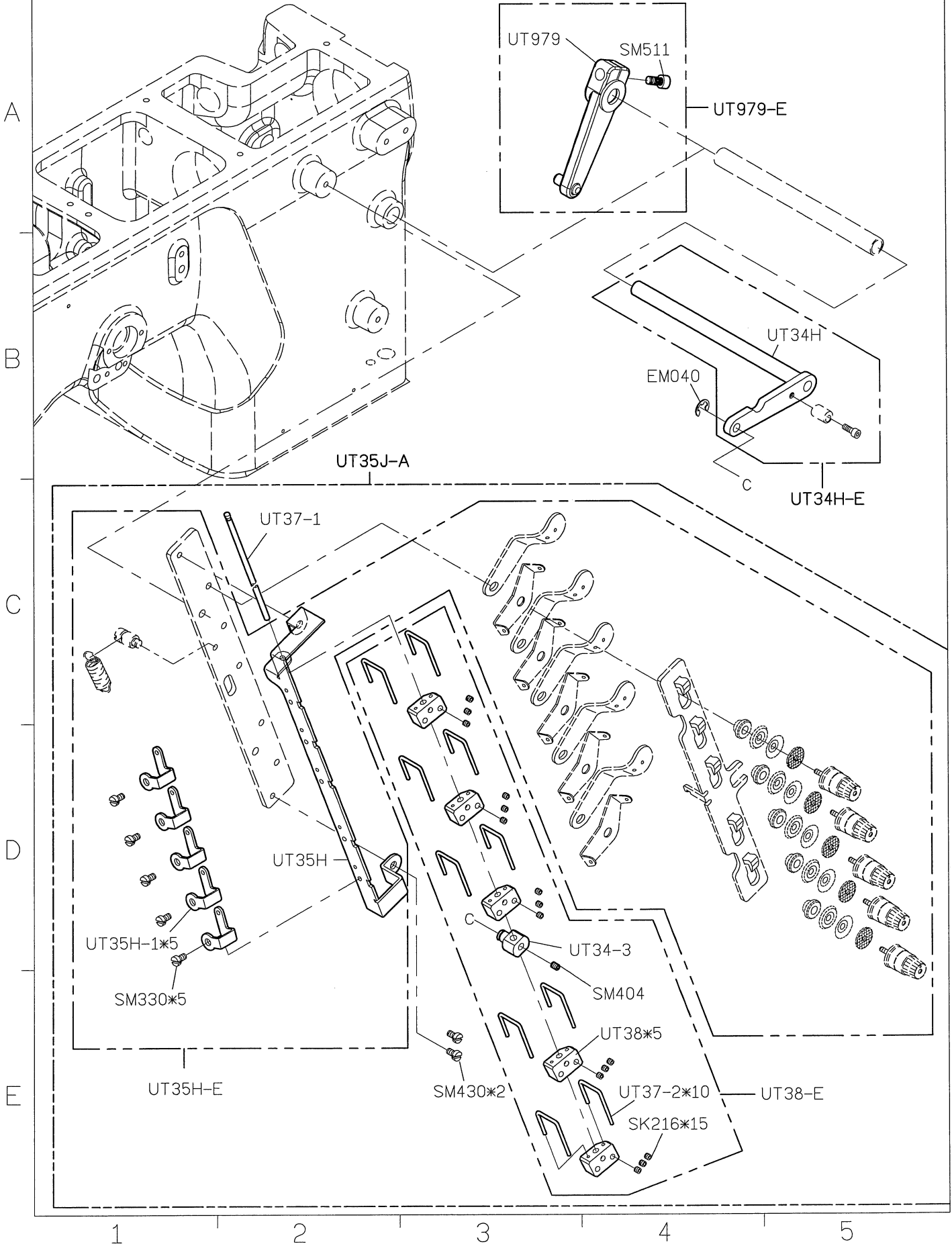
Subclass / Remark

Page

5/10

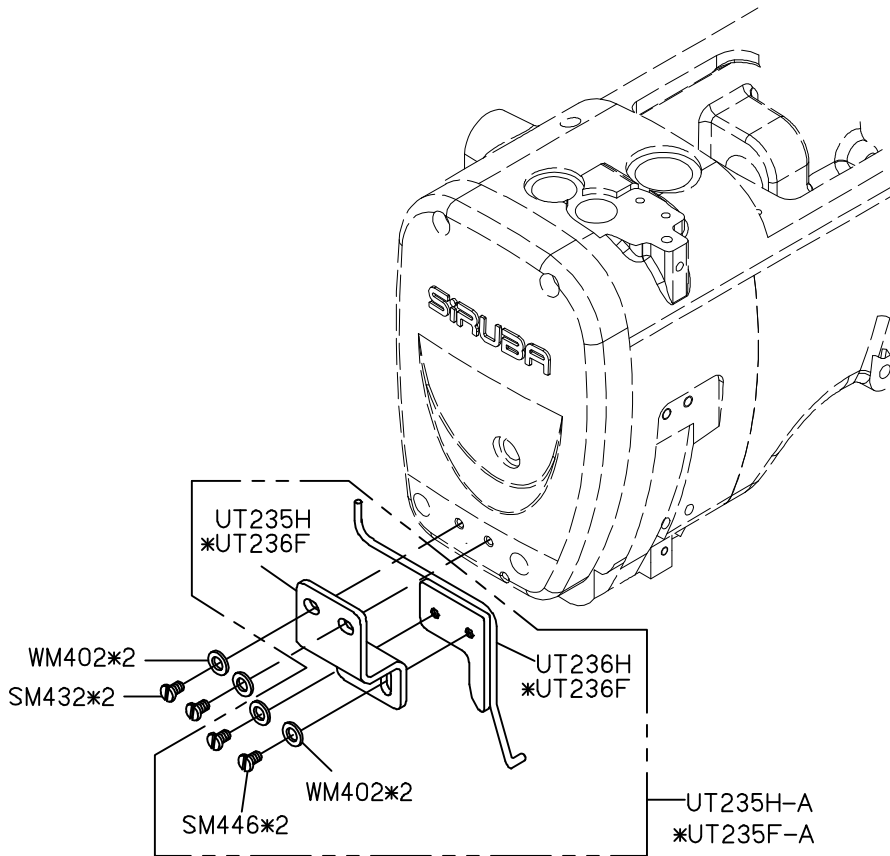
Date

2016/9/6

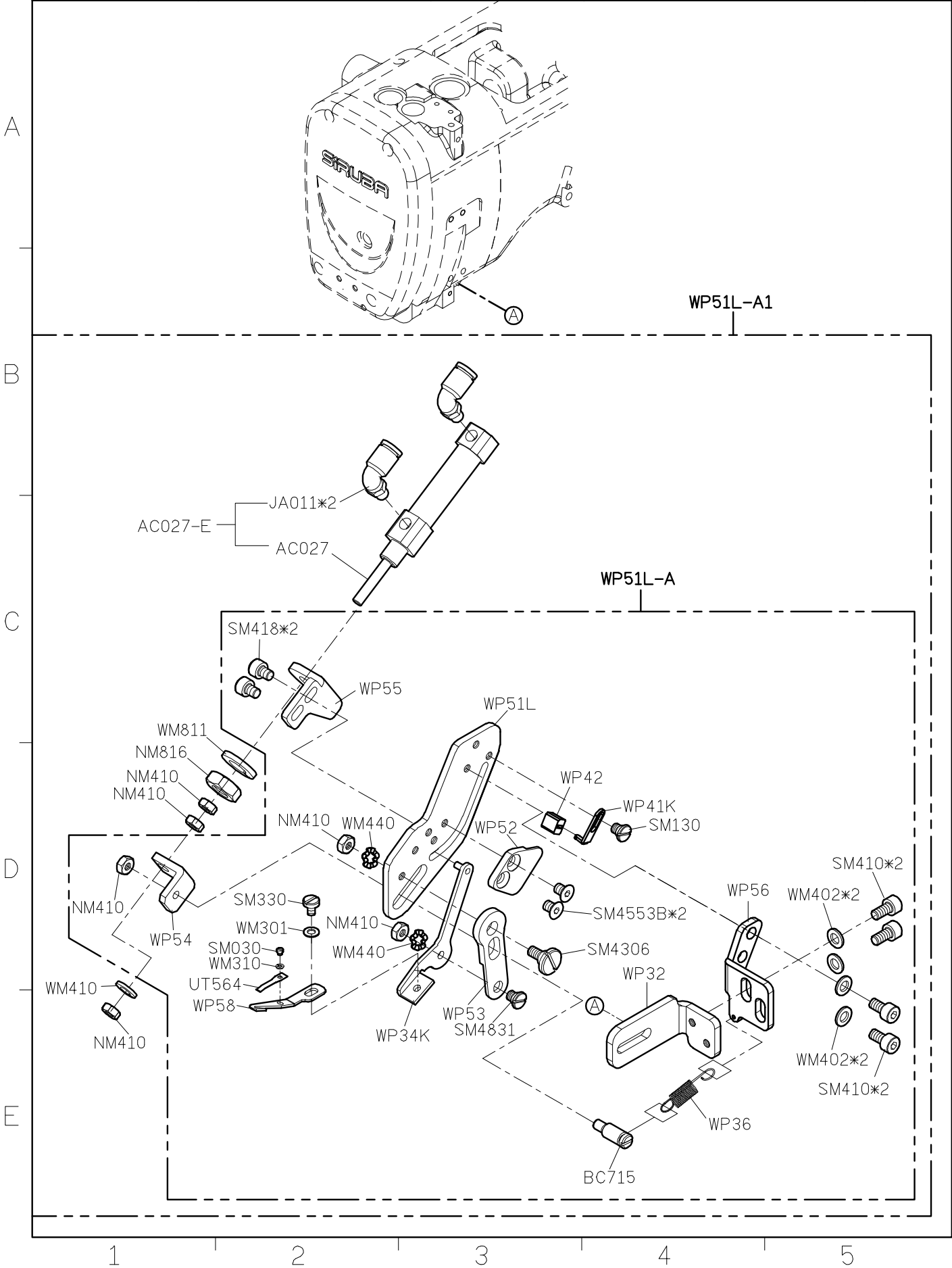


SIRUBA PARTS LIST	Serie	Parts Group	Subclass / Remark	Page
	F007K/F007KD	UTH-K	*Use for FFT	6/10
	F858K			Date
	2022/06/22			

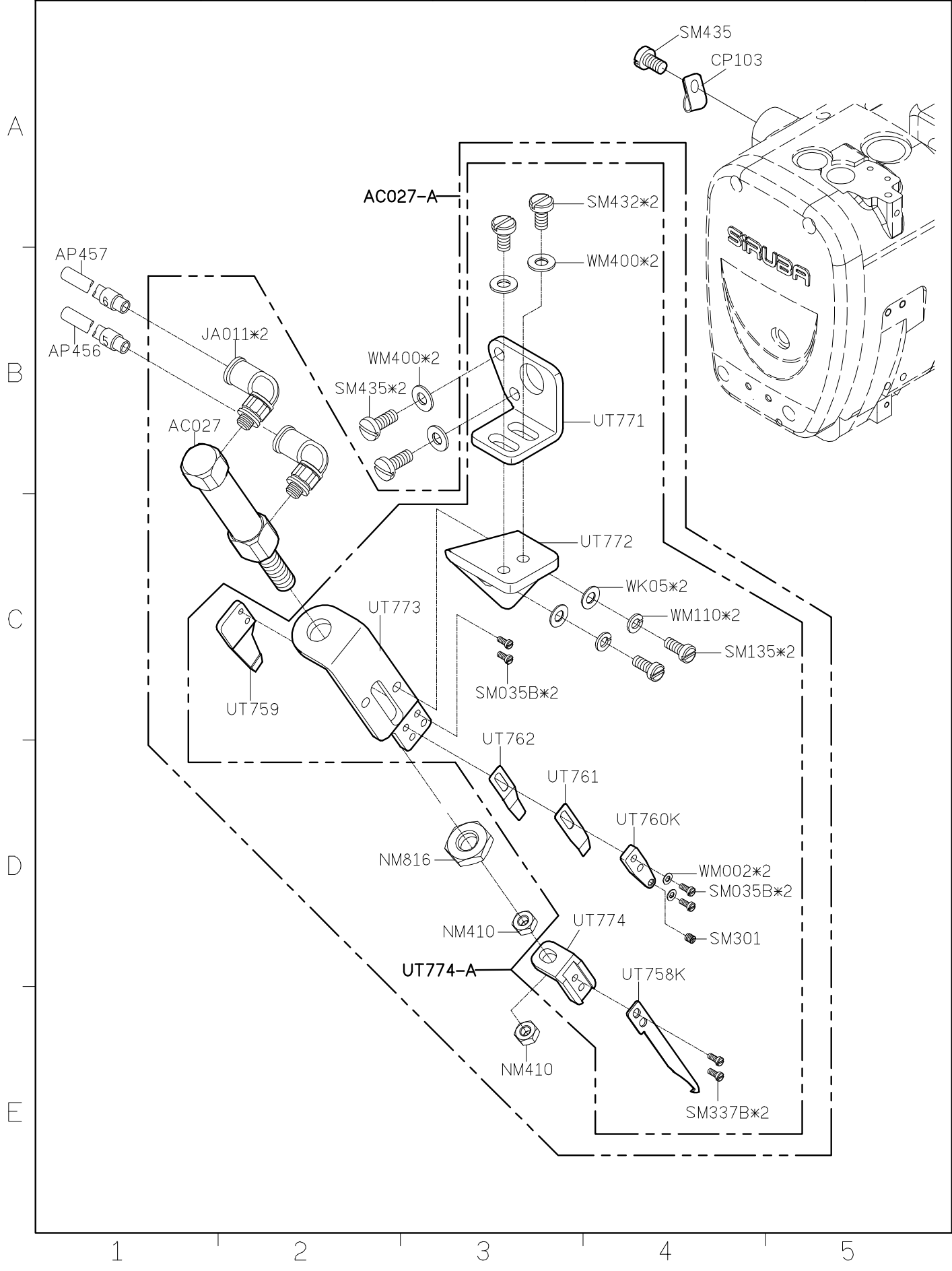
FOR LEFT SIDE



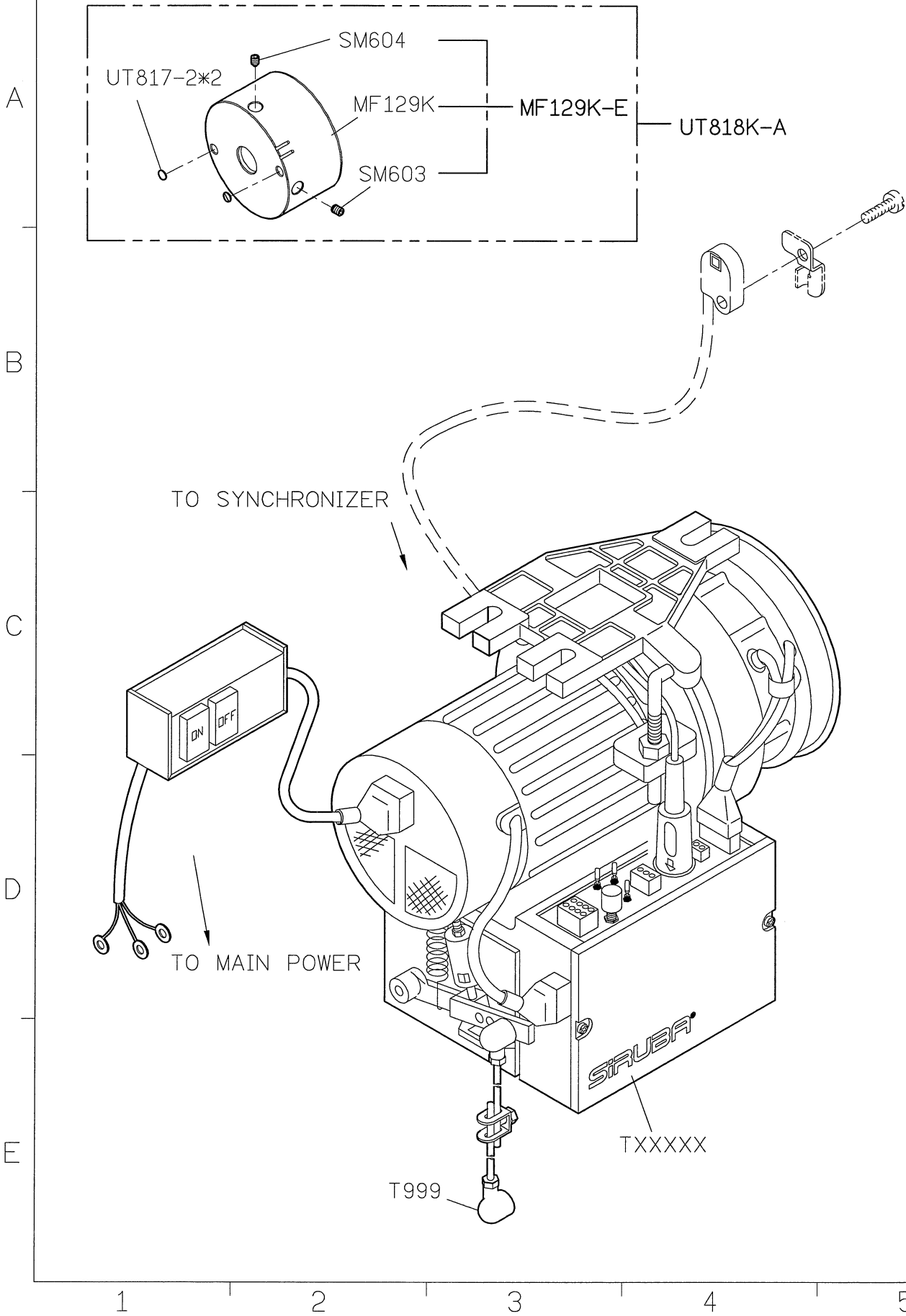
SIRUBA PARTS LIST	Serie	Parts Group	Subclass / Remark	Page
	F007K/F007KD F858K	UTH-K1	For allocation	7/10
				Date
				2020/4/17



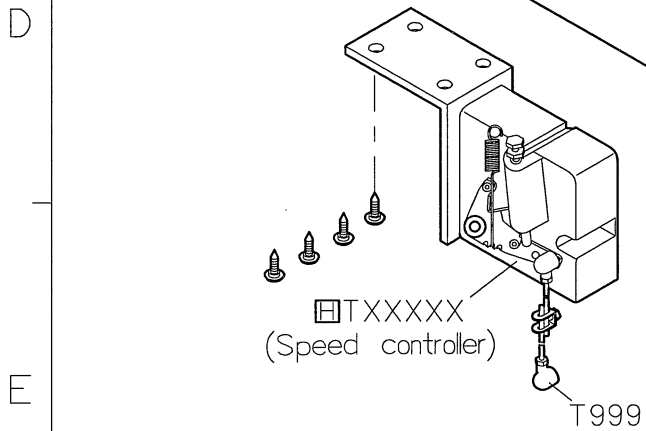
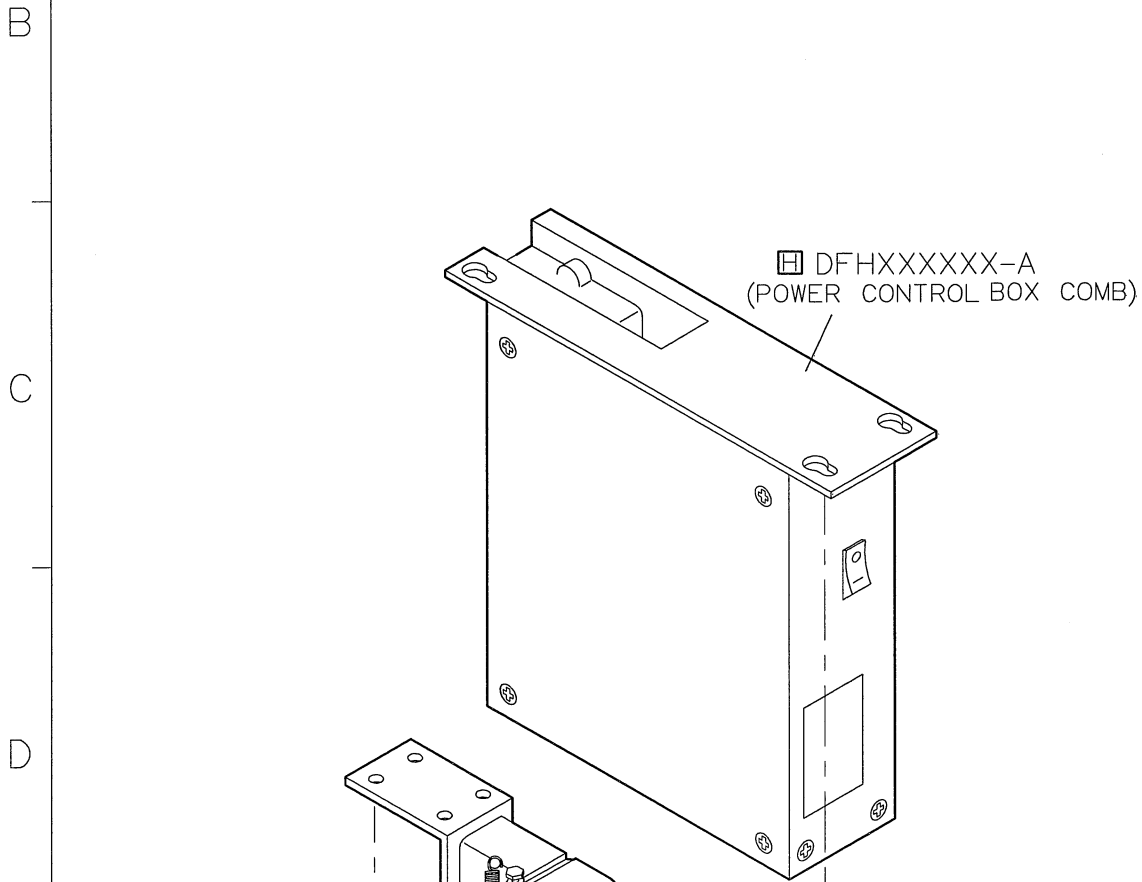
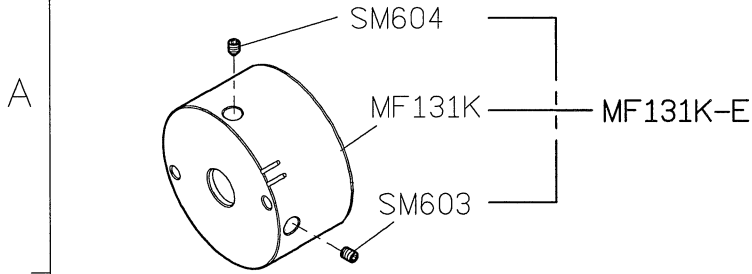
SIRUBA PARTS LIST	Serie	Parts Group	Subclass / Remark	Page
	F007K/F007KD F858K	UTG-K		8/10
				Date
				2020/3/12



SIRUBA PARTS LIST	Serie	Parts Group	Subclass / Remark	Page
	F007K/F007KD F858K	UTG(UTH)-K	For F007K/F858K ☐ : For H brand motor	9/10
				Date
				2016/9/6



SIRUBA PARTS LIST	Series	Parts Group	Subclass / Remark	Page
	F007K/F007KD F858K	UTG(UTH)-K	For F007K/F858K ☐: For H brand motor(i - 60)	10/10
				Date
				2016/9/6



1

2

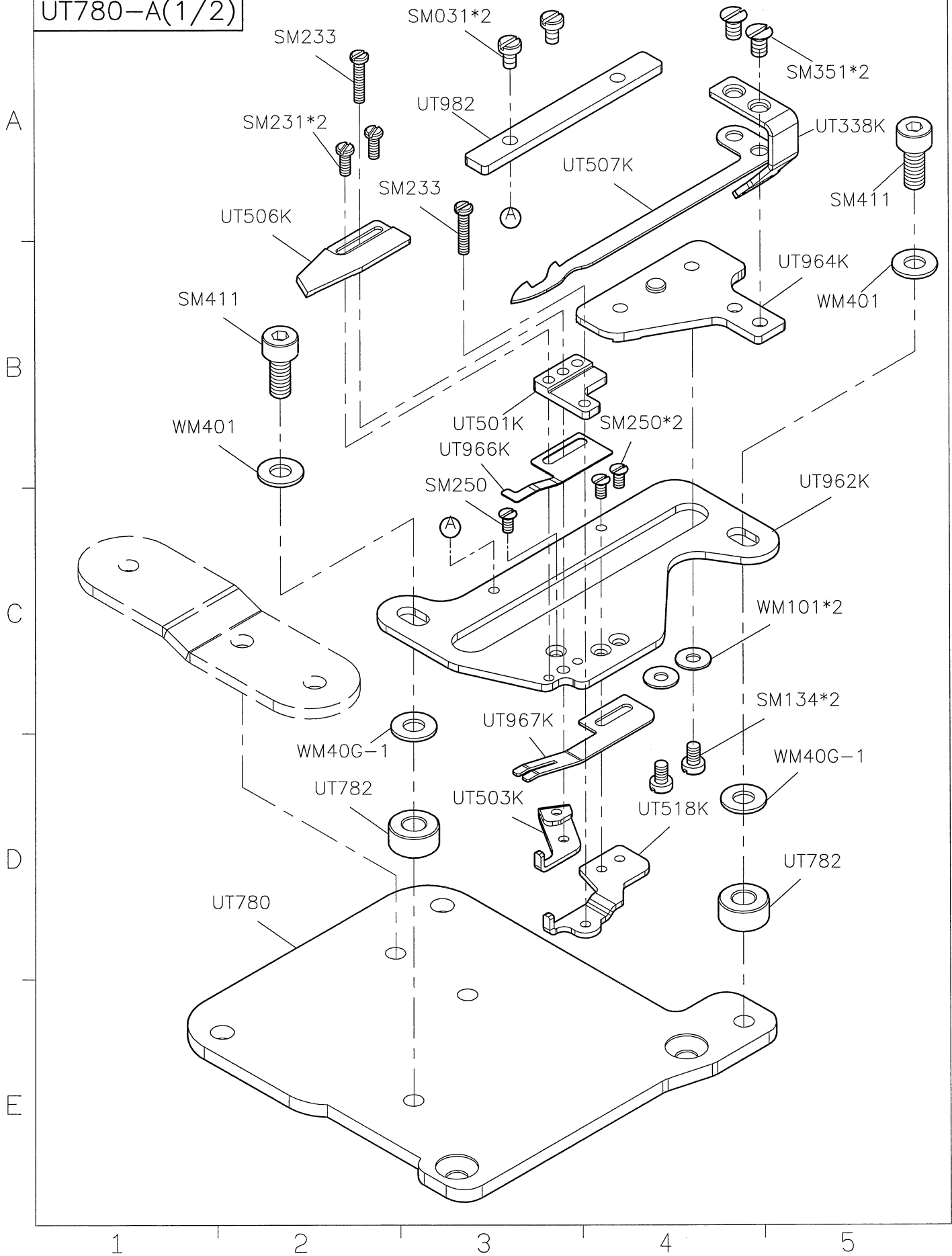
3

4

5

SIRUBA PARTS LIST	Series	Parts Group	Subclass / Remark	Page
	F007K/F007KD	UTJ(UTK)-K		1/10
	F858K			Date
				2016/9/6

UT780-A(1/2)



SIRUBA

PARTS LIST

Series

F007K/F007KD
F858K

Parts Group

UTJ(UTK)-K

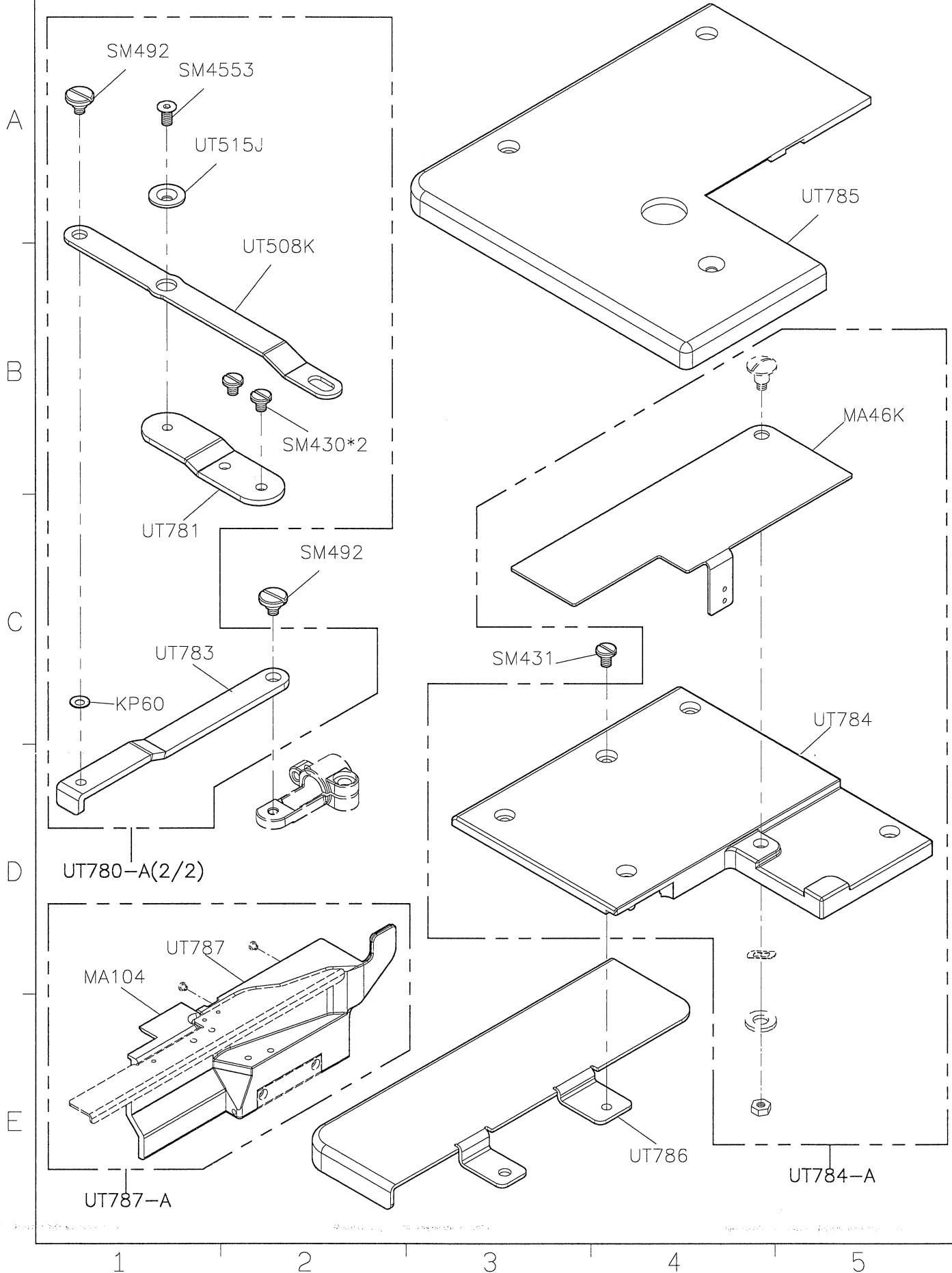
Subclass / Remark

Page

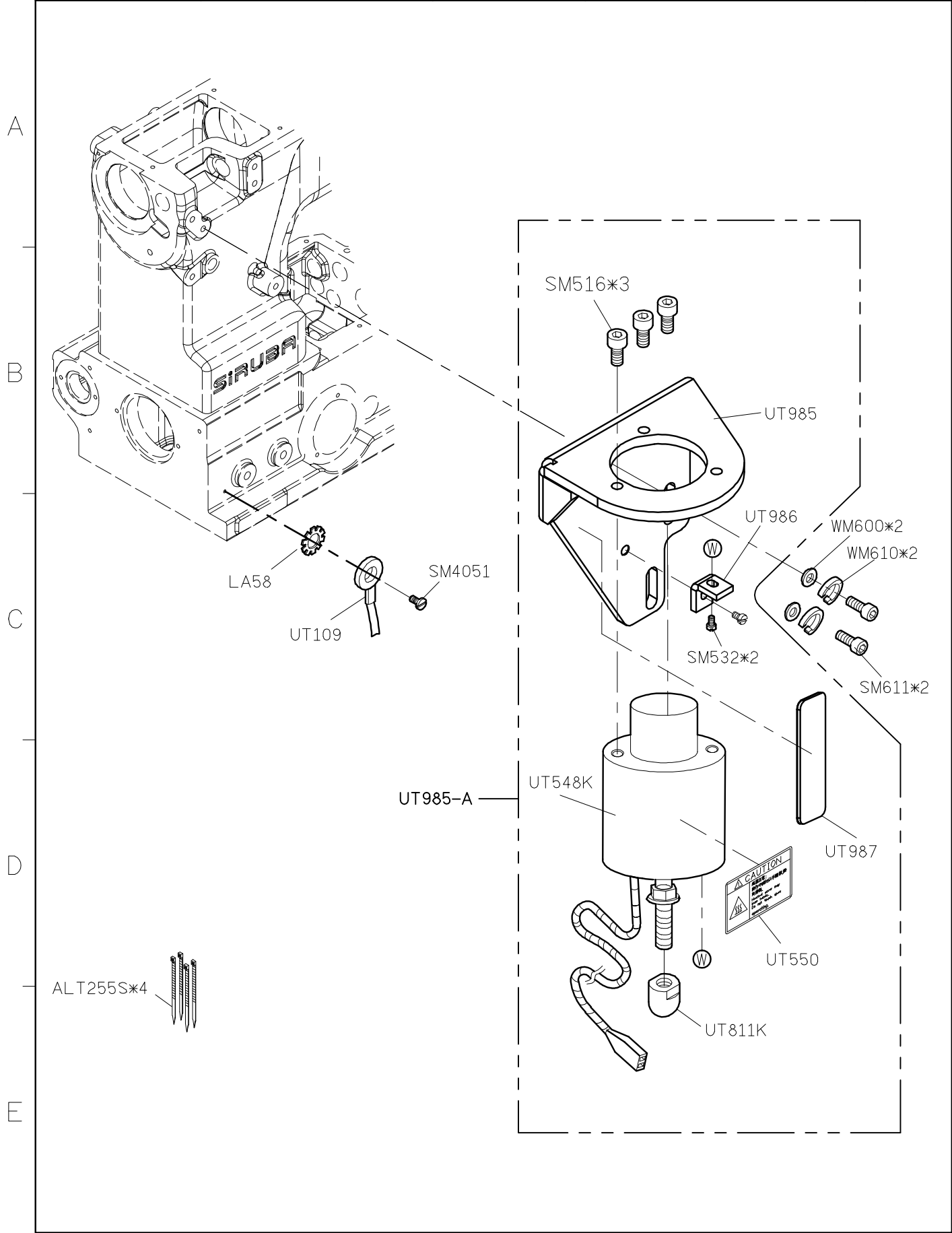
2/10

Date

2018/03/06



SIRUBA PARTS LIST	Series	Parts Group	Subclass / Remark	Page
	F007K/F007KD	UTJ(UTK)-K		4/10
	F858K			Date
				2020/4/17



A

B

C

D

E

1

2

3

4

5

ALT255S*4

LA58

UT109

SM4051

SM516*3

UT985

UT986

WM600*2

WM610*2

SM532*2

SM611*2

UT985-A

UT548K

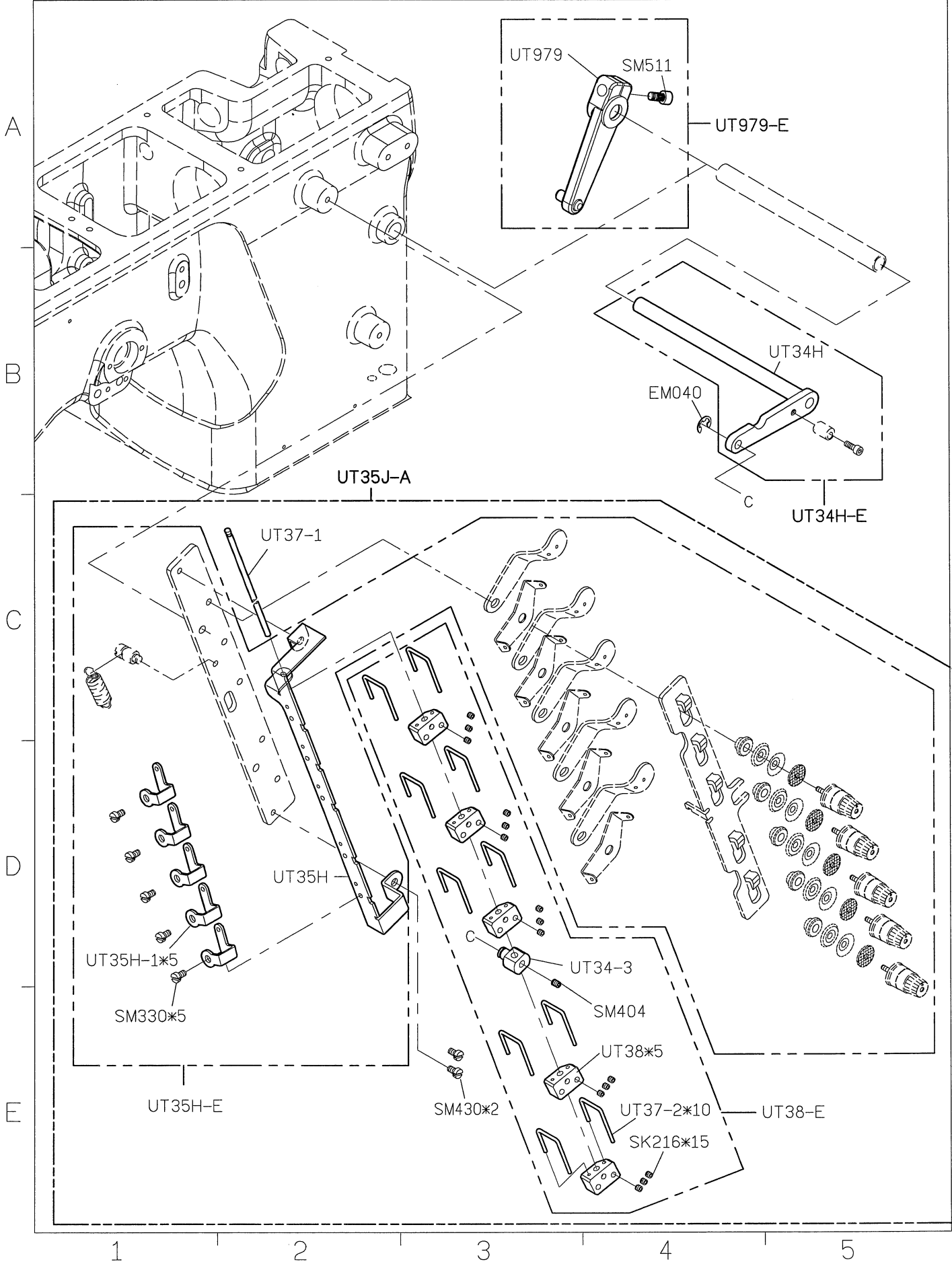
UT987

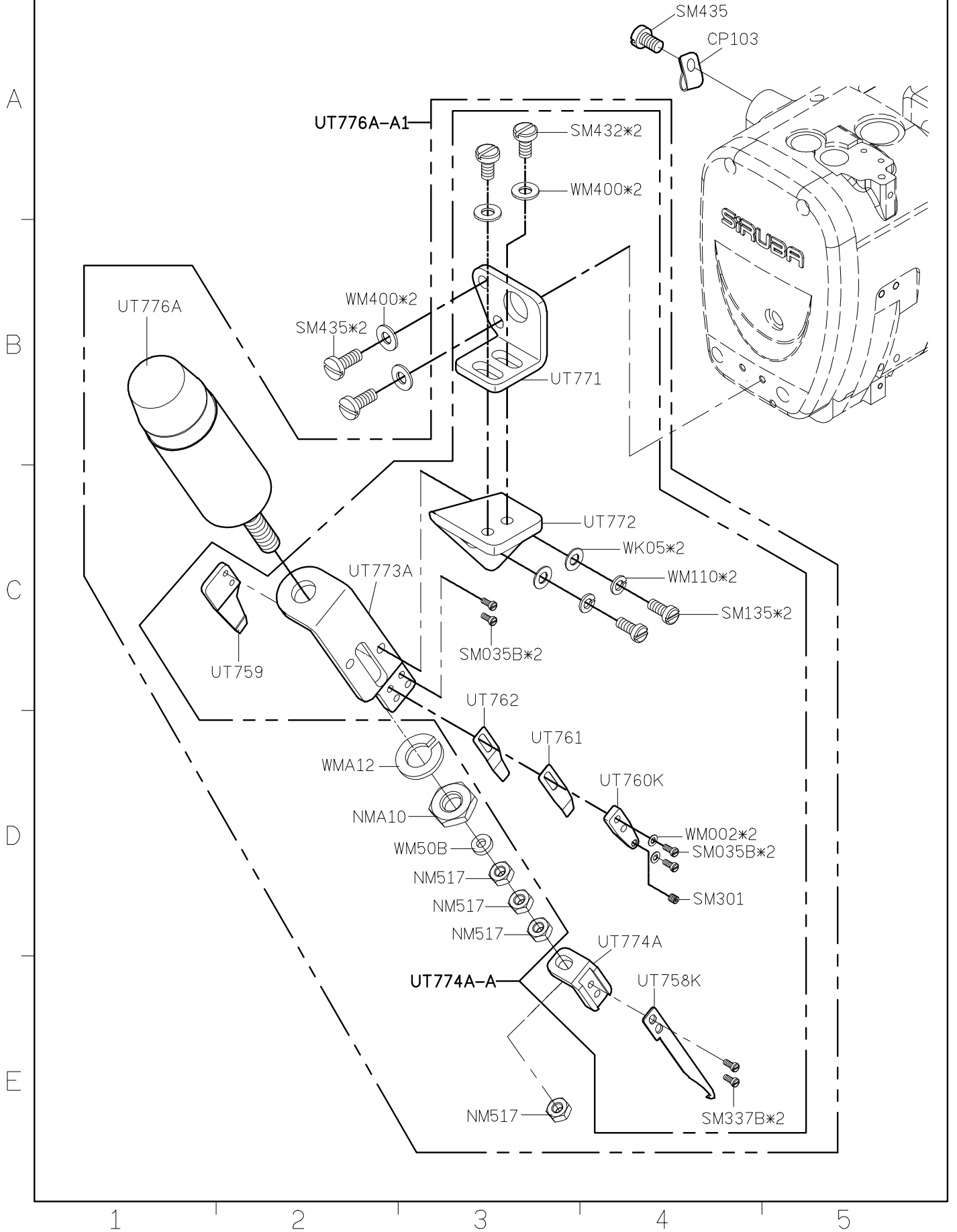


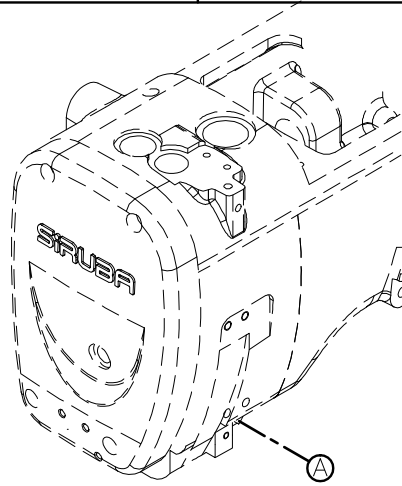
UT550

UT811K

SIRUBA PARTS LIST	Series	Parts Group	Subclass / Remark	Page
	F007K/F007KD F858K	UTJ(UTK)-K		5/10
				Date
				2016/9/6







WP54A-A1

UT776A

WP54A-A

SM418*2

WP55A

WP51L

WMA11
NMA10

WM50B
NM517

NM410

NM410 WM440

WP52

WP42
WP41K
SM130

SM410*2

WP56

WM402*2

SM330
WM301

NM410

WM440

SM4553B*2

SM4306

WP32

SM410*2

WM402*2

SM410*2

WM402*2

SM410*2

WM510
NM517

UT564
WP58

WP34K

WP53
SM4831

WP36

BC715

1

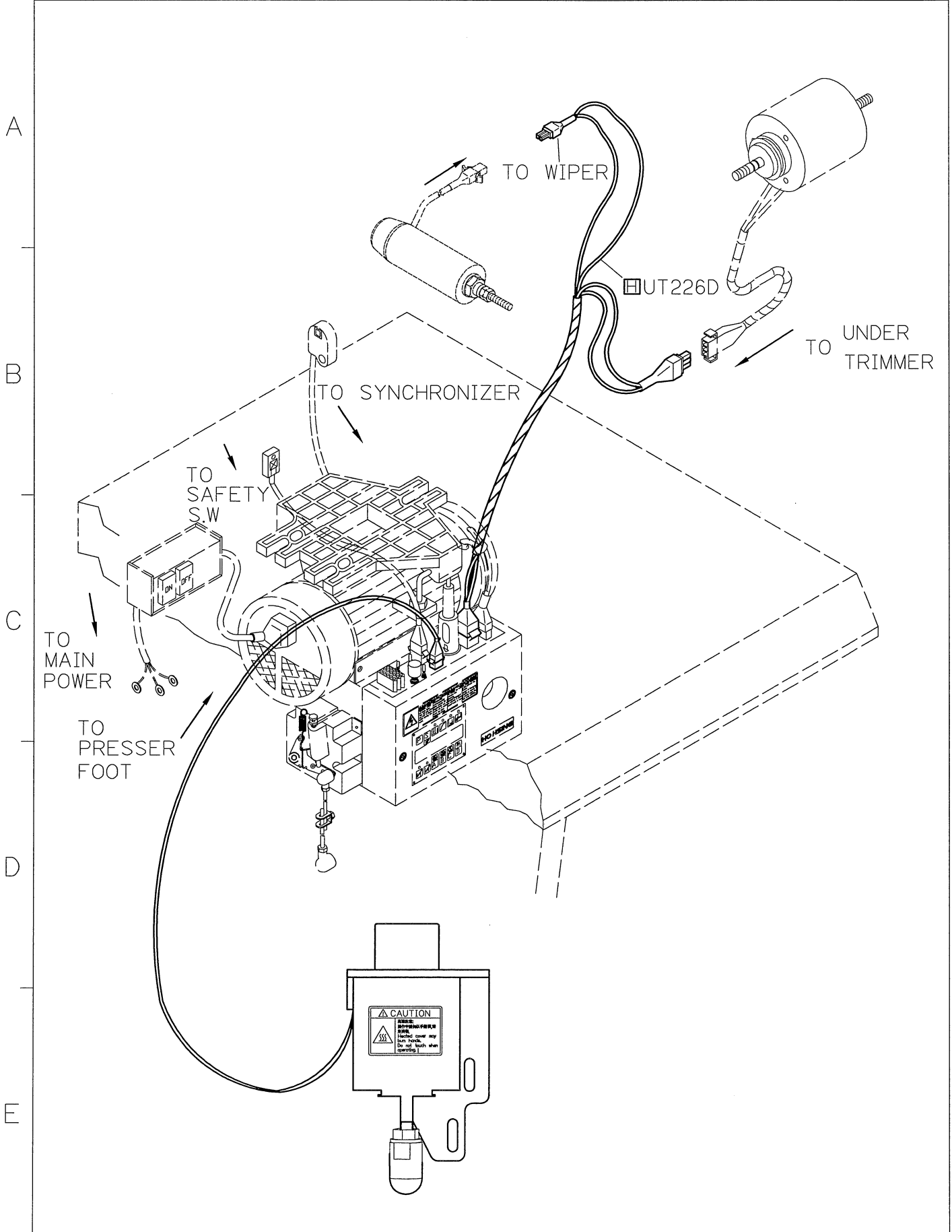
2

3

4

5

SIRUBA PARTS LIST	Series	Parts Group	Subclass / Remark	Page
	F007K/F007KD F858K	UTJ(UTK)-K	For F007K/F858K ☐ : For H brand motor	8/10
				Date
				2016/9/6



1

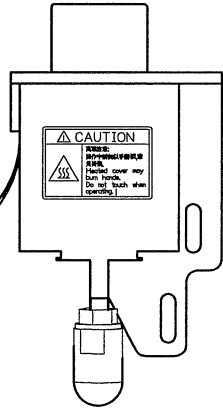
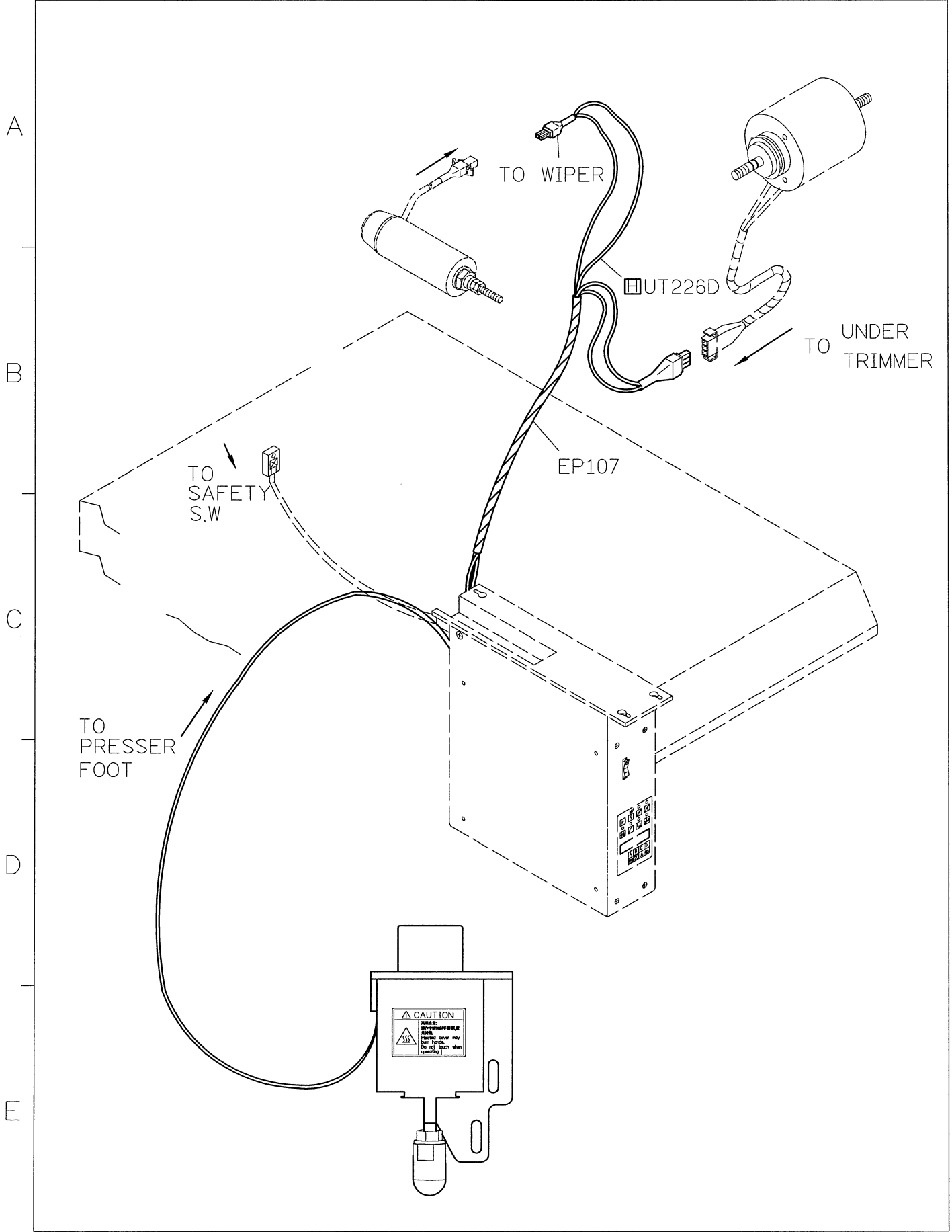
2

3

4

5

SIRUBA PARTS LIST	Series	Parts Group	Subclass / Remark	Page
	F007K/F007KD F858K	UTJ(UTK)-K	☐: For H brand motor	9/10
				Date
				2016/9/6



SIRUBA PARTS LIST	Series	Parts Group	Subclass / Remark	Page
	F007K/F007KD F858K	UTJ(UTK)-K	☐: For H brand motor (i - 60)	10/10
				Date
				2016/9/6

