

SIRUBA

零件圖

PARTS LIST

DL7200C-RM1



SIRUBA

PARTS LIST

Series

DL7200C-RM1

Parts Group

01

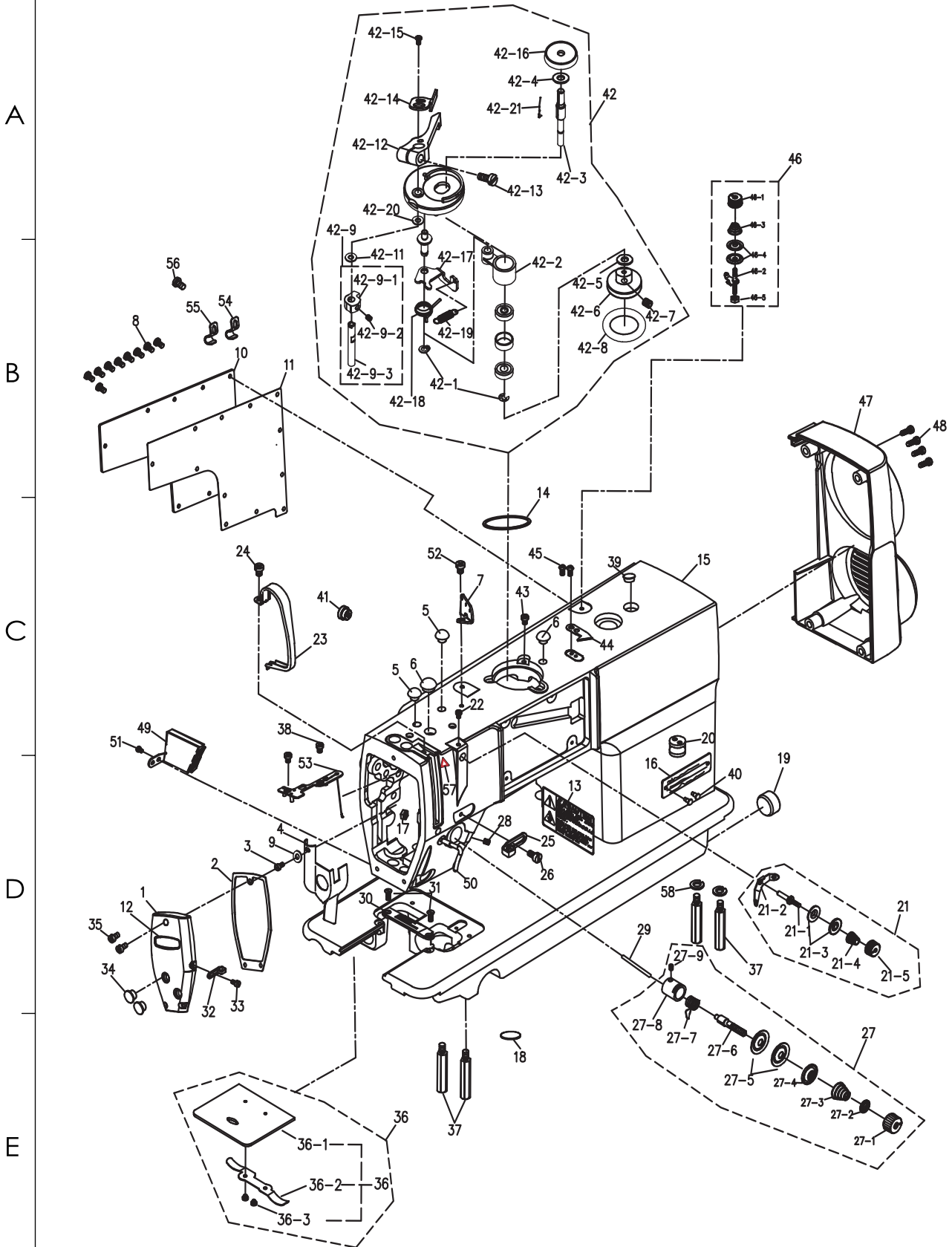
Subclass Remark

Page

1 / 1

Date

2022/04/19



1

2

3

4

5

SiRUBA SEQUENCE LIST		Series		Parts Group	Subclass Remark		Page
		DL7200C-RM1		01			1 / 1
							Date
							2022/04/19
序號	新圖號	名稱	Name of parts	數量	備註		
A	1	283001001	面板	Face plate	1		
	2	283001002	面板墊	Face plate agsket	1		
	3	S073184404	防油板螺釘	Screw 1/8×44 L=4	1		
	4	991001004	面部防油板	Arm oil shifld	1		
	5	991001005	橡膠塞	Rubber plug	2		
	6	991001006	針杆曲柄螺孔塞	Rubber plug	2		
	7	991001007	三眼過線板	Thread guide rod	1		
	8	S094762809	後窗板螺釘	Screw 3/16×28 L=9	9		
	9	991004042	防油板墊片	Grease plate gasket	1		
	10	288001009E	後窗板	Side plate	1		
11	288001010E	後窗板墊	Gasker	1			
12	280001011	面板商標牌	Face plate	1			
13	991001012	安全指示牌	Safety lable	1			
14	991001056	繞線器墊片	Bobbin Washer	1			
B	15	283001015	機殼組件	Machine cover	1		
	16	283001041	型號牌	Modle plate	1		
	17	991006006	螺母	Nut	1		
	18	280001074	檢驗標示	Inspection sign	1		
	19	991001017	下軸盲孔塞	Rubber plug	1		
	20	991001018	導線過線套	Magnet cord rubber	1		
	21	280001019	小夾線器組件	Thread tension asm	1		
	21-1	991001019-1	小夾線螺釘	Thread tension post	1		
	21-2	991001019-2	小夾線過線板	Thread tension guide	1		
	21-3	991001019-3	小夾線板	Thread tension disk	2		
C	21-4	991001019-4	小夾線簧	Thread tension spring	1		
	21-5	991001019-5	小夾線螺母	Thread tension nut	1		
	22	S144374006	小夾線組件支架螺釘	Screw	1		
	23	991001021	挑線防護罩	Pick up shield	1		
	24	S044762810	挑線防護罩螺釘	Screw 3/16×28 L=6	1	倉庫實際編碼	
	25	991001023	右線鉤	Arm thread guide right	1		
	26	S074374006	右線鉤螺釘	Screw 11/64×40 L=6	1		
	27	281001025	夾線器組件	Thread tension asm	1		
	27-1	991001025-1	夾線螺母	Tension nut	1		
	27-2	991001025-2	夾線止動板	Rotating stopper	1		
D	27-3	991001025-3	夾線簧	Rotating stopper	1		
	27-4	991001025-4	夾線壓板	Thread tension disk presser	1		
	27-5	991001025-5	夾線板	Thread tension disk	2		
	27-6	991001025-6	夾線螺釘	Tension post	1		
	27-7	991001025-7	挑線簧	Take-up spring	1		
	27-8	991001025-8	調線簧調節座	Tension post socket	1		
	27-9	S143574005	夾線螺絲緊固螺釘	Screw 9/64×40 L=5.5	1		
	28	S115952811	夾線器支緊螺釘	Screw 15/64×28 L=7	1		
	29	TC0000053-5	松線釘	Tension releasing	1		
	E	30	997001030	針板 3/16	Throat plate3/16	1	
997001030-1			針板 1/8	Throat plate1/8	1		
997001030-2			針板 1/4	Throat plate1/4	1		
997001030-3			針板 3/8	Throat plate3/8	1		
997001030-4			針板 5/32	Throat plate5/32	1		
997001030-5			針板 5/16	Throat plate5/16	1		
31		S044374005Z	針板螺釘	Screw 11/64×40 L=6	2		
32		TC0000144	左線鉤	Arm thread guide left	1		
33		S074374006	左線鉤螺釘	Screw 9/64×40 L=6	1		
34		991001033	面板調節孔塞	Rubber plug	2		
35	S094762809	面板螺釘	Screw 3/16×28 L=08	3			

1

2

3

4

5

SIRUBA SEQUENCE LIST		Series	Parts Group	Subclass Remark	Page
		DL7200C-RM1	01		1 / 2
					Date 2022/04/19
A	36	991001035	推板組件	Slide plate asm	1
	36-1	991001035-1	推板	Slide plate	1
	36-2	991001035-2	推板簧	Bed slide spring	1
	36-3	S082385602	推板簧螺釘	Screw 3/32×56 L=2.2	2
	37	991001036	底板支柱	Bed slide spring	4
	38	S093574016	油線板固定螺釘	Screw	2
	39	991001058	橡膠塞	Rubber plug	3
	40	991001039	型號牌鉚釘	Pole	2
	41	288001063E	操作面板出線橡膠塞	Rubber plug	1
	42	288001041E	繞線器組件 (小輪)	Bobbin base	1
B	42-1	991001041-1	擋圈	Retaining ring E4	2
	42-2	991001041-2	繞線軸基座	Bobbin base	1
	42-3	991001041-3	繞線軸	Bobbin	1
	42-4	991001041-4	O 型圈 P9	O ring P9	1
	42-5	991001041-5	平墊圈 S6	Flat washer S6	1
	42-6	991001041-6A	繞線輪	Winding wheel	1
	42-7	991001041-7	螺釘 M5X5	Screw	2
	42-8	991001041-8A	橡皮墊圈 29	Rubber washer 29	1
	42-9	991001041-9	梭芯夾凸輪組件	Bobbin clip cam assembly	1
	42-9-1	991001041-9-1	梭芯夾凸輪	Shuttle cam	1
C	42-9-2	991001041-9-2	梭芯夾軸	Spindle clamp shaft	1
	42-9-3	991001041-9-3	螺釘 M5X5	Screw	1
	42-11	991001041-11	平墊圈 S6	Flat washer S6	2
	42-12	991001041-12	梭芯壓臂柄	Shuttle arm handle	1
	42-13	991001041-13	螺釘 M4X12	Screw	1
	42-14	991001041-14	梭芯夾	Bobbin clip	1
	42-15	991001041-15	螺釘 SM4.76	Screw	2
	42-16	991001041-16	梭芯座	Spindle seat	1
	42-17	991001041-17	繞線杠杆	Winding lever	1
	42-18	991001041-18	彈簧	Spring	1
D	42-19	991001041-19	彈簧	Spring	1
	42-20	991001041-20	O 型密封圈 S5	O type sealing ring S5	1
	42-21	991001041-21	卡簧	Clip spring	1
	43	M080500810	繞線器螺釘	Screw	3
	44	991001043	割線刀	Knife	1
	45	S093574005	割線刀螺釘	Knife screw	2
	46	280001045	繞線夾線器組件	Thread tension asm.	1
	46-1	991001045-1	夾線螺母	Tension nut	1
	46-2	991001045-2	夾線螺釘	Tension post	1
	46-3	991001045-3	夾線彈簧	Tension spring	1
E	46-4	991001045-4	夾線板	Thread tension disk presser	2
	46-5	991001045-6	夾線螺母 (下)	Tension nut	1
	47	288C01010U-2	電機罩殼 / 軟連接	Motor housing	1
	48	M180500820	螺釘	Screw	4
	49	283001049	倒縫燈開關元件	Protects the switch	1
	50	991001049	大線勾	Big wire hook	1
	51	S094762810	倒縫燈開關固定螺釘	Screw	1
	52	S074374006	三眼過線螺釘	Screw	1
	53	991001052	油線板組件	Oil plate assembly	1
	54	730001058E	線夾	Clamp	1
	55	730001014E	線夾 1	Wire clip 1	1
	56	S094762809	線夾螺釘	Screw	2
	57	280001071	安全標示	Safety marking	1
	58	W230651004	彈簧墊片	Spring washer	2

SIRUBA

PARTS LIST

Series

DL7200C-RM1

Parts Group

02

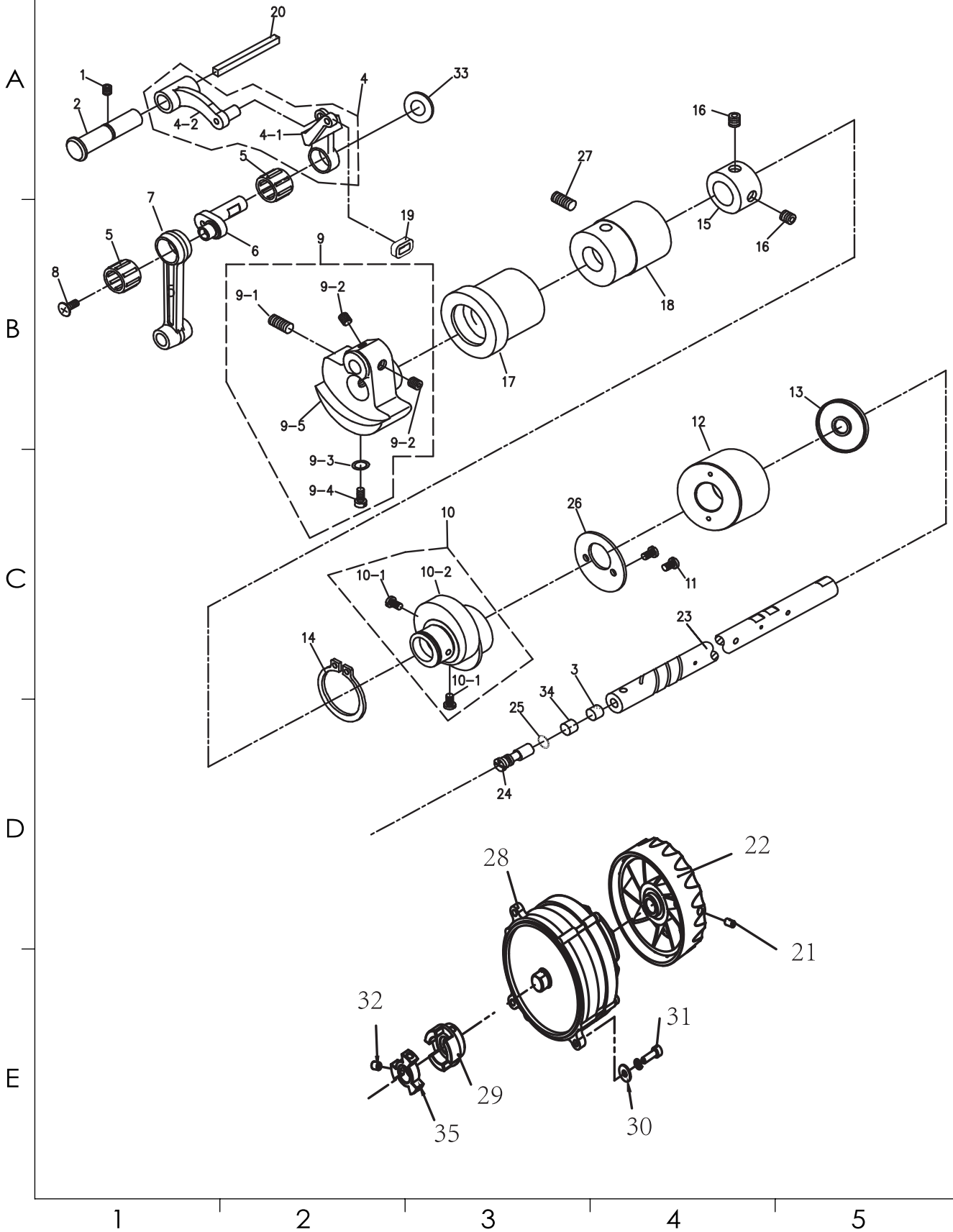
Subclass Remark

Page

1 / 1

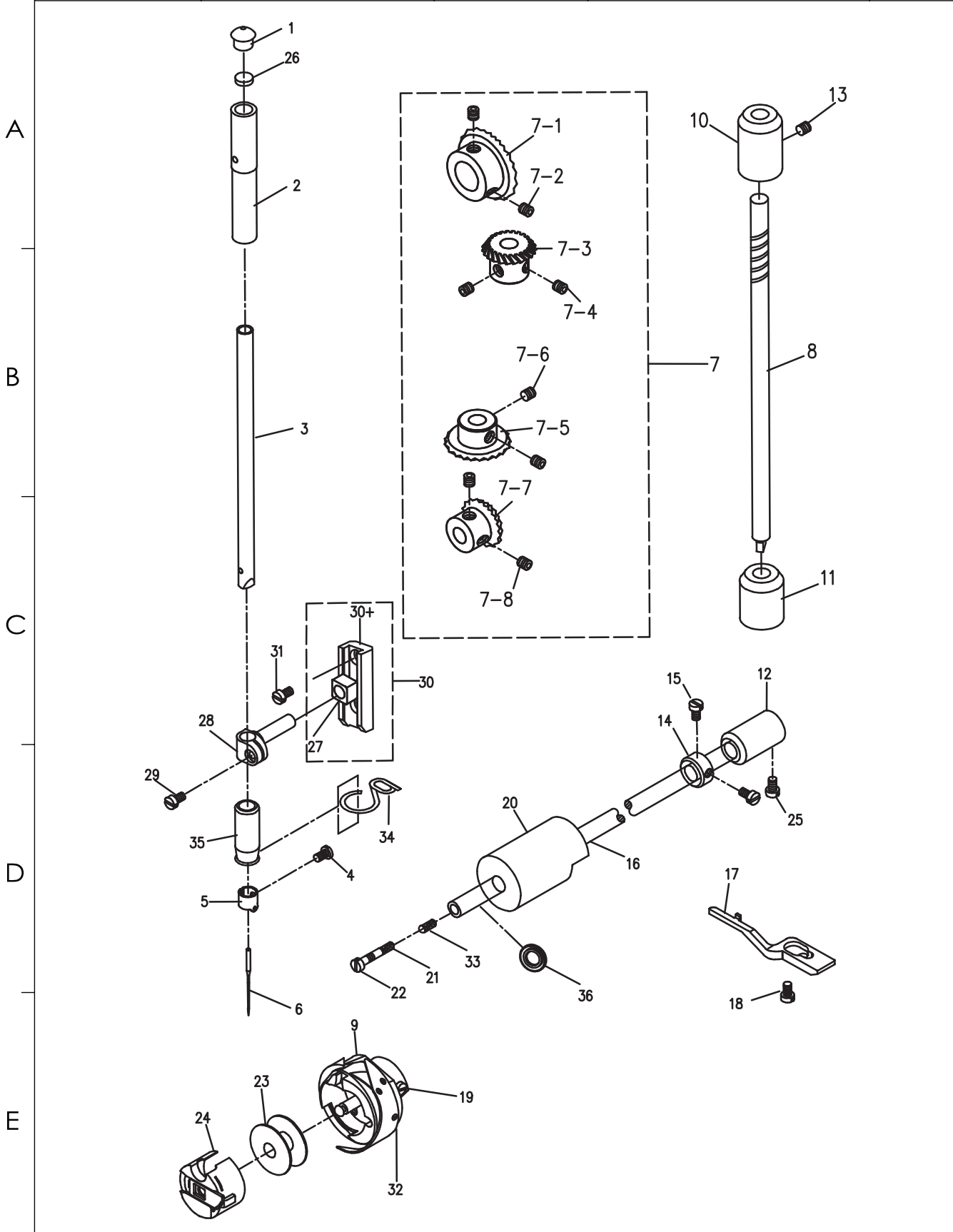
Date

2022/04/19



SIRUBA SEQUENCE LIST	Series	Parts Group	Subclass Remark	Page
	DL7200C-RM1	02		1 / 1
				Date
				2022/04/19

序號	新圖號	名稱	Name of parts	數量	備註
A 1	991002001	挑線連杆銷螺釘	Screw 15/64×28 L=10.5	1	
2	991002002	挑線連杆銷	thread take-up crank shaft	1	
3	991002003	曲柄油量限制氈	Roller felt	1	
4	991002004	挑線連杆組件	thread take-up lever	1	
4-1	991002004-1	挑線杆	take-up lever	1	
4-2	991002004-2	挑線連杆	Pick line connecting rod	1	
5	991002005	挑線杆滾針軸承	Needle bearing	2	
6	991002006	挑線曲柄	Needle bar crank	1	
7	991002007	針杆連杆	Needle bar crank rod	1	
8	991002008	挑線曲柄左旋螺釘	Left screw 9/64×40 L=4.8	1	
9	995002009	針杆曲柄組件 刀車	Counter weight	1	
9-1	S127142816	針杆曲柄緊固螺釘	Screw 9/32×28 L=16	1	
9-2	S116354006	挑線曲柄定位螺釘	Screw 1/4×40 L=6	2	
9-3	991002009-3	定位螺絲 O 型圈	Rubber ring	1	
9-4	S077142815	針杆曲柄定位螺釘	Screw 9/32×28 L=15.5	1	
9-5	995002099-5	針杆曲柄	Counter weight	1	
10	991002010	送料偏心輪組件	Feed drive eccentric cam asm.	1	
10-1	S076354011	送料偏心輪螺釘	Screw 1/4×40 L=11	2	
10-2	991002010-2	送料偏心輪	Feed drive eccentric cam	1	
11	S093574006	送料偏心輪蓋板螺釘	Screw 9/64×40 L=6	2	
12	991002012	上軸後套	Upper axle sleeve	1	
13	991002013	上軸後套油封	Upper shaft rear sleeve oil seal	1	
14	991002014	卡簧	Snap ring	1	
15	991002015	上軸擋圈	Thrust collar asm	1	
C 16	S116354006	上軸擋圈螺釘	Screw 1/4x40 L=6	2	
17	995002017	上軸前軸套 刀車	Main shaft front bushing asm.	1	
18	991002018	上軸中軸套	Bushing intermediate	1	
19	991002019	挑線杆橡皮套	Rubber	1	
20	991009008	挑線連杆銷供油線	Thread take-up crank shaft felt	1	
21	M140500806	手輪螺釘	Screw	2	
22	280002022	手輪 軟連接	Hand wheel	1	
23	995002023	上軸 軟連接	Main shaft	1	
24	991002024	上軸油量調節銷	Oil amount adjusting pin	1	
25	991002025	上軸油量調節銷 O 型圈	Rubber ring	1	
D 26	991002026	送料偏心輪蓋板	Thrust collar	1	
27	991005027	上軸中軸套螺釘	Screw	1	
28	288002028EQX-2	電機 軟連接	Servo Motor Assy.	1	
29	9910021030	聯軸器 B	connect block B	1	
30	280002014	彈性墊圈	Washer	3	
31	M180500814	螺釘 M5*14	Screw	3	
32	M140601006	螺釘	Screw	3	
33	W220801605	墊片 厚	Washer	1	
	W220801605-1	墊片 薄	Washer	1	
34	870002013	油量銷套	Oil throttle	1	
E 35	991002028	聯軸器 A	connect block A	1	



A

B

C

D

E

1

2

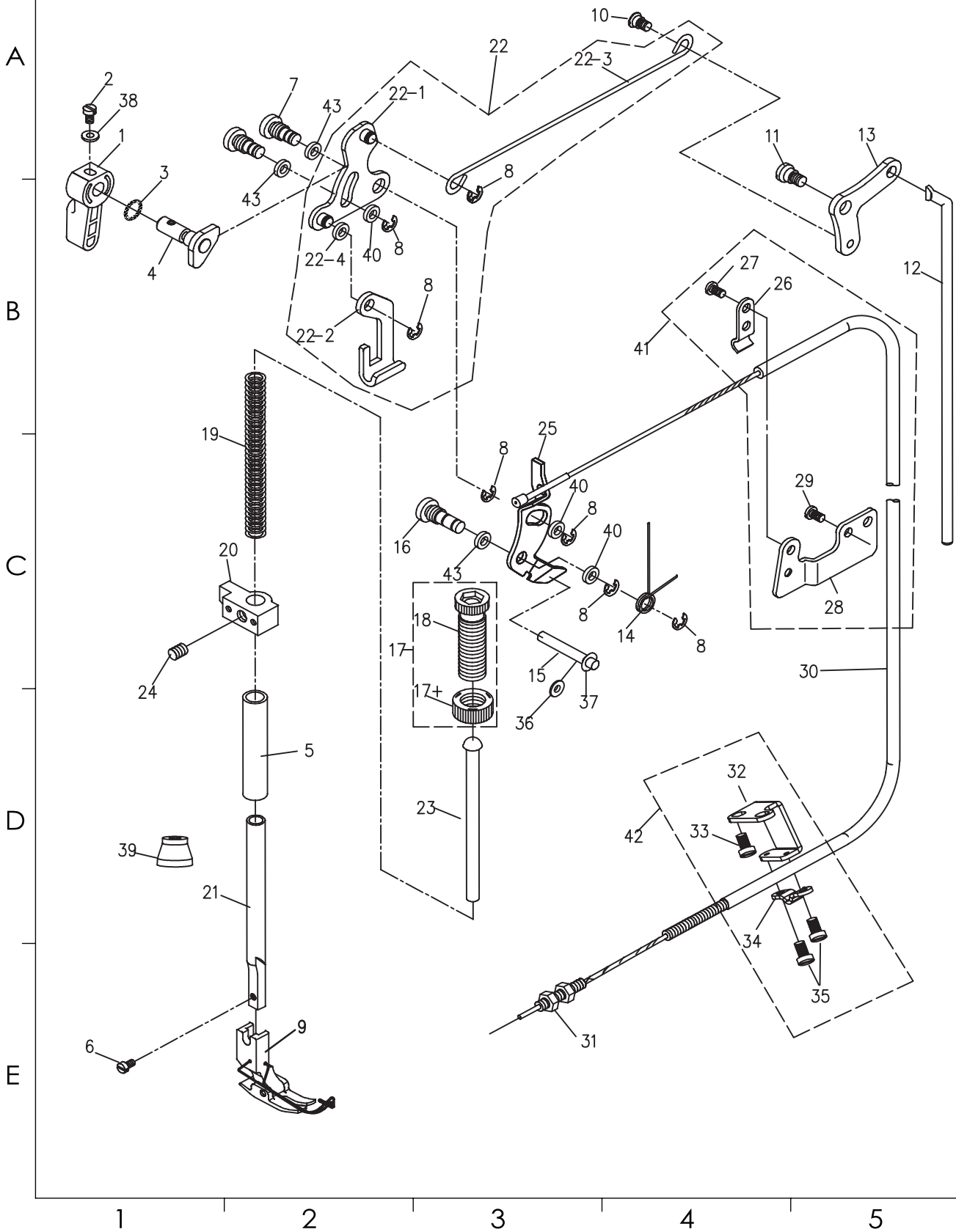
3

4

5

SIRUBA SEQUENCE LIST	Series	Parts Group	Subclass Remark	Page
	DL7200C-RM1	03		1 / 1
				Date
				2022/04/19

序號	新圖號	名稱	Name of parts	數量	備註
1	991003001	針杆上孔塞	Cap	1	
2	991003002	針杆上套	Needle bar bushing upper	1	
3	995003003	針杆	Needle bar	1	
A	4	S083184405	機針螺釘	Screw 1/8×44 L=4.8	1
	5	995003005	針杆過線勾 刀車	Needle bar thread guide	1
	6	991014011	機針 14	Needle DBX1 #14	1
	7	991003012	傘齒輪組件	Gear pinion asm.	1
	7-1	991003014	上軸傘齒輪	Gear asm.	1
	7-2	S116354008	傘齒輪螺釘	Screw 1/4×40 L=8	2
	7-3	991003016	豎軸上傘齒輪	Pinion asm.	1
7-4	S116354008	傘齒輪螺釘	Screw 1/4×40 L=8	2	
7-5	991003019	豎軸下齒輪	Gear asm.	1	
7-6	S116354008	傘齒輪螺釘	Screw 1/4×40 L=8	2	
B	7-7	991003021	下軸傘齒輪	Pinion asm.	1
	7-8	S116354008	傘齒輪螺釘	Screw 1/4×40 L=8	2
	8	991003014-1	豎軸	Upright shaft	1
	9	991003015	旋梭	Hook asm.	1
	10	991003016	豎軸上軸套	Upright shaft bushing,upper	1
	11	991003017	豎軸下軸套	Upright shaft bushing,lower	1
	12	991003018	下軸後軸套	Bushing rear	1
	13	S145952804	豎軸上套緊固螺釘	Screw	1
	14	991003020	下軸擋圈	Thrust collar asm.	1
	15	S074374005	下軸擋圈螺釘	Screw 11/64×40 L=5	2
C	16	991003022	下軸	Lower shaft	1
	17	991003023	旋梭定位勾	Bobbin case holder	1
	18	S084374010	旋梭定位勾螺釘	Screw SM11/64×40 L=11	1
	19	991003032	旋梭螺釘	Screw	2
	20	991003026	下軸前軸套	Lower shaft front metal	1
	21	991003027	下軸限油芯	Oil wick	1
	22	991003028	下軸限油螺釘	Oil seal screw	1
	23	991003029	梭芯	Bobbin	1
	24	991003030	梭殼	Bobbin case	1
	25	S145952806	下軸後軸套螺釘	Screw	1
D	26	280003036	針杆油氈	Needle rod linoleum	1
	27	997008006-1	針杆連接柱滑塊	Slide block	1
	28	991003006	針杆連接柱	Needle rod holder asm.	1
	29	S073574007	針杆連接柱螺釘	Screw 9/64×40 L=7.5	1
	30	991003032A	針杆連接柱滑塊座元件	Block as	1
	30+	997008006-2	針杆連接柱滑塊座	Slide block seat	1
31	S074374007P	滑塊座螺釘	Screw	2	
32	991003037	螺釘	Screw	1	
33	LL1122	油芯	Oil core	1	
34	991003007	針杆下套線鉤	Needle bar thread guide	1	
35	991003008	針杆下套	Needle bar bushing lower	1	
E	36	030306031	下軸左套油封	oil seal	1



SIRUBA SEQUENCE LIST		Series		Parts Group	Subclass Remark		Page
		DL7200C-RM1		04			1 / 1
							Date
							2022/04/19
序號	新圖號	名稱	Name of parts	數量	備註		
1	991004001	壓腳扳手	Hand lifter	1			
2	991004002	壓腳扳手螺釘	Screw 9/64×40 L=10	1			
3	991004003	壓腳扳手軸 O 型圈	Rubber ring	1			
A	4	LB1112	壓腳扳手凸輪部件	hand lifter cam asm	1		
5	991004005	壓杆軸套	Presser bar bushing lower	1			
6	S073574011	壓腳螺釘	Screw 9/64×40 L=11	1			
7	991004007	前杠杆螺紋銷	Link shaft	2			
8	991004008	卡簧	E-ring	7			
9	995004009	壓腳部件 刀車 3/16	Presser foot asm	1			
10	991004010	抬壓腳拉杆螺釘	Hinge screw	1			
11	991004011	後杠杆軸拉螺釘	Hinge screw	1			
12	991004012	抬壓腳頂杆	Knee lifter connecting rod	1			
13	991004013	抬壓腳後杠杆	Lifting lever link	1			
B	14	991004022	松線頂板復位簧	Tension release return spring	1		
15	LA1137	松線輔釘	Tension release supporting pin	1			
16	991004026	松線頂板螺紋銷	Tension release shaft	1			
17	991004028A	調壓螺釘螺母組件	Presser adjurting screw nut	1			
17+	991004027	調壓螺母	Presser adjurting screw nut	1			
18	991004028	調壓螺釘	Presser spring regulator	1			
19	991004029	調壓簧	Presser adjurting spring	1			
20	280004006	壓杆導架	Presser bar guide bracket	1			
21	995004032	壓杆 刀車	Presser bar	1			
22	281004019	前杠杆組件	Knee lifting cross rod asm	1			
C	22-1	991004032-1	抬壓腳前杠杆	Hand lifter link	1		
22-2	991004032-2	壓腳升降板	Lifting lever	1			
22-3	180004022	抬壓腳拉杆	Knee lifting cross rod	1			
22-4	280004019-4	墊圈	Washer	1			
23	991004033	調壓導杆	Presser guide bar	1			
24	S126354006	導架螺釘	Screw	1			
25	991004025	松線頂板	Thread tension relerse wire	1			
26	991004017	拉線壓板	Stay plate	1			
27	S073574007	上壓板緊固螺釘	Screw 9/64×40 L=7	1			
28	288004028E	上壓線底板	Wire holder bracket upper	1			
29	S094762806	上壓板組件緊固螺釘	Screw 3/16×28 L=6	1			
D	30	991004034-D	拉線 (短)	Pull line(long)	1		
31	991004020	拉線調節螺母	Nut 3/16×32	2			
32	991004023	松線鋼繩下支架	"Lower bracket"	1			
33	S095952810	下支架緊固螺釘	Screw 15/64×28 L=10	2			
34	991004021	下拉線壓板	Down stay plate	1			
35	S073574014	下壓板緊固螺釘	Screw 9/64×40 L=7	2			
36	870003033	擋油墊	Oil retaining pad	1			
37	930001065	卡簧	Reed spring	1			
38	991004042	墊片	Shim	1			
39	991004041	擋油帽	Oil retaining cap	1			
E	40	991002036	墊片	Shim	3		
		991002036H	墊片	Shim	3		
41	991004037	上支架組件	Subassembly	1			
42	991004038	下支架組件	Lower bracket assembly	1			
43	991004039-1	紅紙墊	Rubber gasket	3			

SIRUBA

PARTS LIST

Series

DL7200C-RM1

Parts Group

05

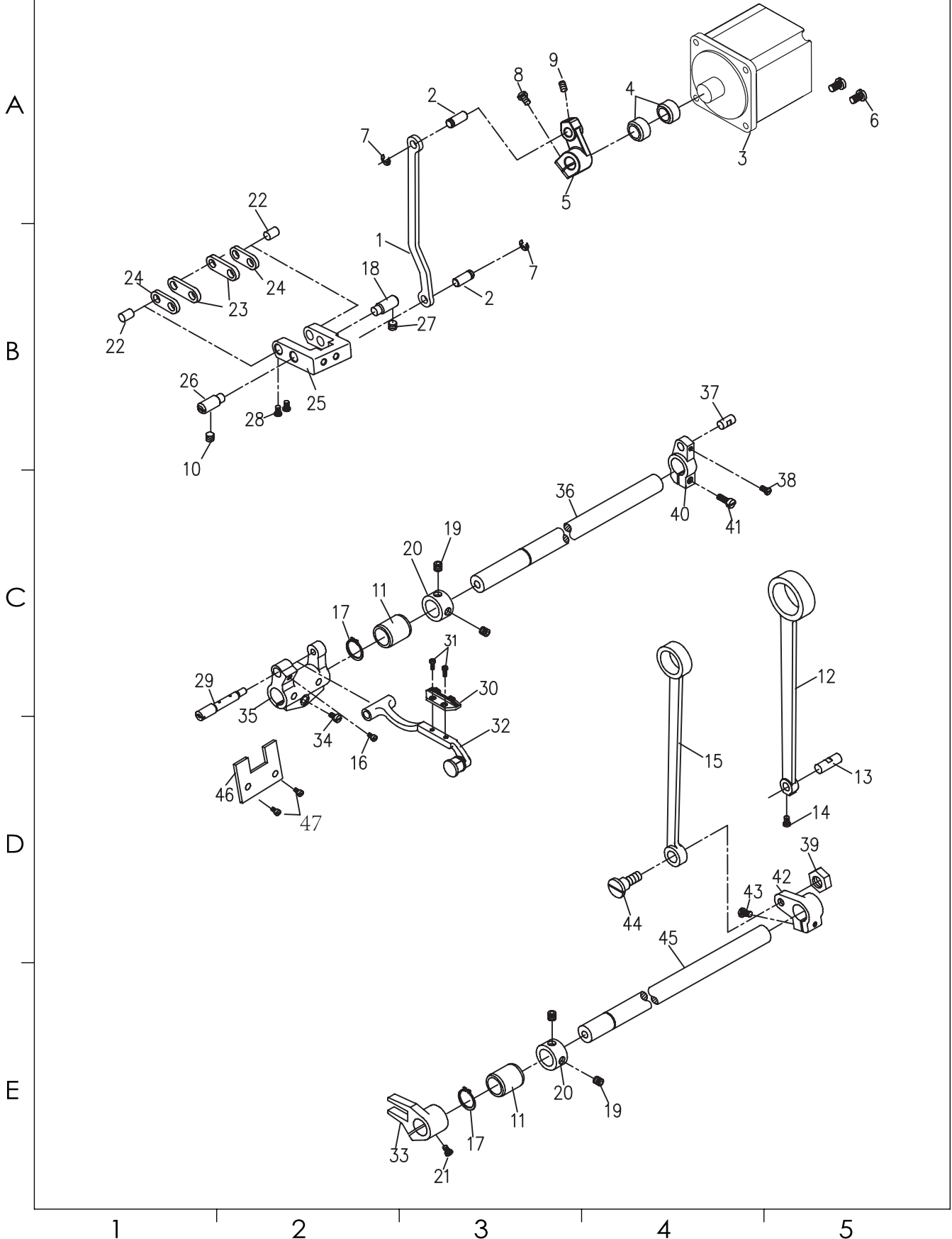
Subclass Remark

Page

1 / 1

Date

2022/04/19



SIRUBA SEQUENCE LIST		Series		Parts Group	Subclass Remark		Page
		DL7200C-RM1		05			1 / 1
							Date
							2022/04/19
序號	新圖號	名稱	Name of parts	數量	備註		
1	288004003	倒送料連杆	Feed adjust rod	1			
2	288004002	倒送料連杆銷	Feed regulator pin	2			
3	288005003EQX	倒縫步進電機	Reverse stepping motor	1			
4	288004041	油封	Oil seal	2			
A	5	288E05019	倒縫操縱杆曲柄	Reverse lever crank	1		
6	M180400714	螺釘	Screw	4			
7	288004040	卡簧	E-ring	2			
8	M180500816	螺釘	Screw	1			
9	M140500806	螺釘 M5	Screw 11/64 × 40	1			
10	991002001	左銷螺釘	Screw	1			
11	991005049	送布、抬牙軸前軸套	Feed rocker shaft bushing	2			
12	991005012	送料連杆	Rocker shaft connecting rod	1			
13	991005013	送料連杆銷	Walking foot long pin	1			
B	14	S083574004	送料連杆銷螺釘	Screw 9/64 × 40 L=4	1		
15	991005015	抬牙連杆	Connecting rod	1			
16	S084374007	牙架銷螺釘	Screw 11/64 × 40 L=7	1			
17	991005030	軸用卡簧	Retaining ring	1			
18	991005059	擺動軸板座右銷	Adjusting link fulcrum shaft	2			
19	S126354004	抬牙軸擋圈螺釘 1/4x40	Screw 1/4x40	4			
20	991002015	擋圈	Thrust collar	2			
21	S084374012	抬牙叉螺釘 11/64 × 40	Screw 11/64 × 40	1			
22	991005022	短擺動板連接銷	Walking foot short pin	2			
23	991005023	長擺動板	Connecting link long pin	2			
24	991005024	短擺動板	Connecting link short pin	2			
C	25	288E04011	擺動座	Feed adjust link asm	1		
26	991005026	擺動板座右銷	Adjusting link fulcrum shaft	1			
27	991002001	右銷螺釘	Screw 15/64 × 28	1			
28	S123574005	連杆銷螺釘	Screw 9/64 × 40 L=5	2			
29	991005029	牙架偏心銷	Feed bar shaft	1			
30	995005031	送布牙 1/4	Feed dog I	1			
31	S073184406	送布牙螺釘	Screw 1/8 × 44 L=6	2			
32	991005033	牙架部件	Feed bar asm	1			
33	991005054	抬牙叉	Driving shaft crank asm.	1			
34	S074762812	牙架座螺釘	Screw 3/16 × 28 L=12	1			
D	35	995005033	牙架座 (牙架曲柄)	Feed bar crank asm.	1		
36	991005037	送布軸	Feed rocker shaft	1			
37	991005038	送布曲柄銷	Walking foot middle pin	1			
38	S073574008	曲柄銷螺釘	Screw 9/64 × 40 L=8	1			
39	N217142805	抬牙連杆軸位螺母	Nut 9/32 × 28	1			
40	991005041	送布曲柄	Feed rocker shaft crank	1			
41	S074762815	送布曲柄螺釘	Screw 3/16 × 28 L=15	1			
42	991005043	抬牙後曲柄	Lifting rocker asm.	1			
43	S074762815	抬牙後曲柄螺釘	Screw 3/16 × 28 L=15	1			
44	991005045	抬牙連杆軸位螺釘	Hinge screw	1			
E	45	991005046	抬牙軸	Feed driving shaft	1		
46	995007028	牙架擋屑板	Die holder chip guard	1			
47	s093574005	螺釘	screw	2			

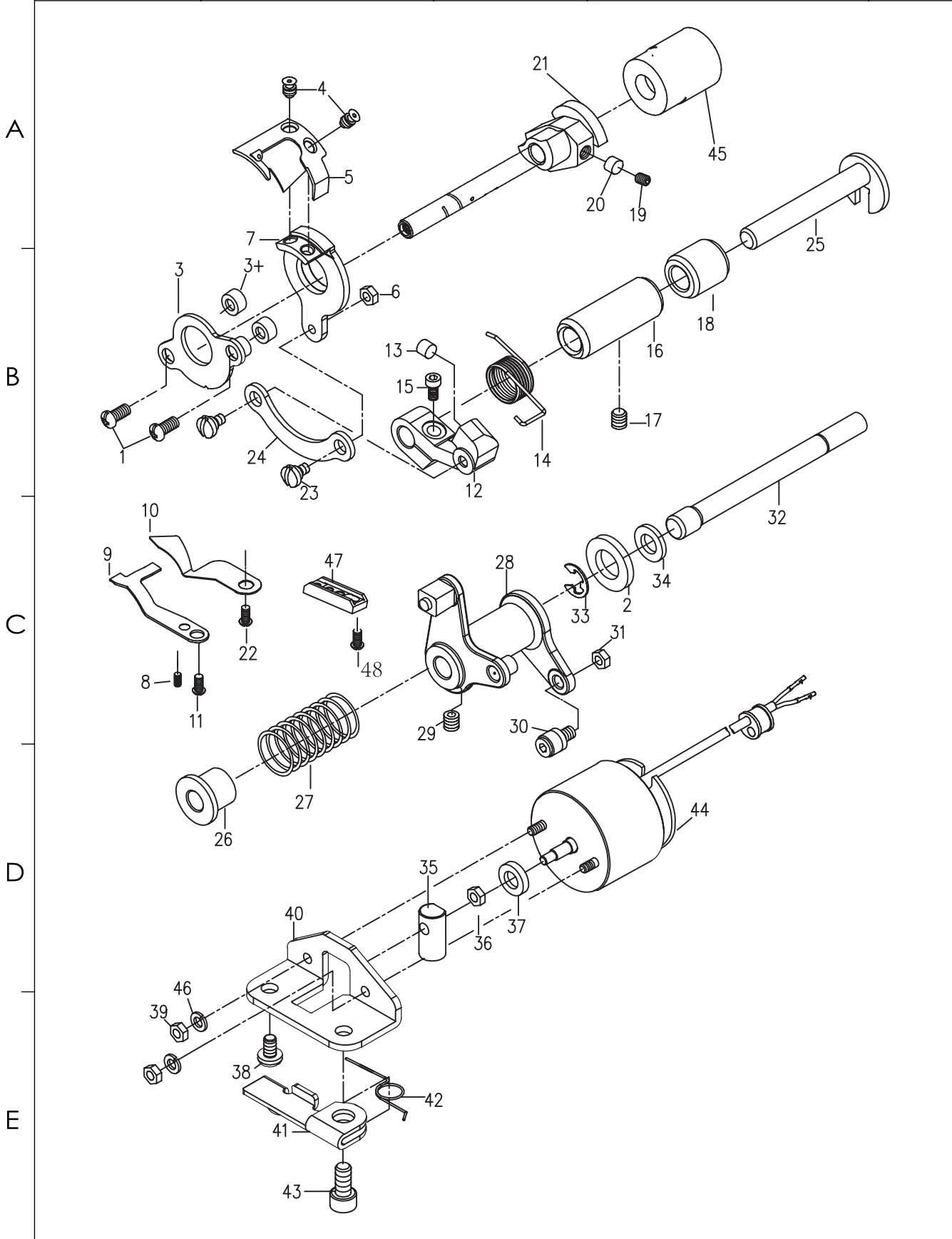
1

2

3

4

5



1

2

3

4

5

SIRUBA SEQUENCE LIST		Series		Parts Group	Subclass Remark		Page
		DL7200C-RM1		06			1 / 1
							Date
							2022/04/19
序號	新圖號	名稱	Name of parts	數量	備註		
	1	S074374012-1	螺釘 I1/64" x40 L=12	Screw SM11/64x40 L=12	2		
	2	991006034	電磁鐵墊片	Washer	1		
	3	991006003	刀架壓板組件	Partiality shank asm.	1		
A	3+	991006003+	刀架壓板墊圈	Partiality shank washer	2		
	4	991006004	動刀固定螺釘	Screw	2		
	5	991006005	動刀	Motorial knife	1		
	6	991006006	螺母 SM11/64" x40	Nut SM11/64x40	1		
	7	991006007	刀架	Knife bracket	1		
	8	S123574014	定刀調節螺釘	Screw	1		
	9	LU1711	固定刀	Secant knife	1		
	10	991006010	分線片	Protect needle patch	1		
	11	995007038	螺釘	Screw	1		
	12	995006012	切刀驅動曲柄	Thread shear rock arm	1		
B	13	991006013	驅動曲柄止動塊	Positioning block	1		
	14	991006014	彈簧	Spring	1		
	15	S094763214	螺釘 SM,3/16" x32 L=14	Screw SM3/16x32 L=14	2		
	16	995006016	切線軸套	Thread shear cam rock arm assy	1		
	17	S145952806	螺釘	Screw	1		
	18	991006018	驅動曲柄軸襯套	Short bush	1		
	19	S126354010	螺釘 SMI/4" x40 l=10	Screw	1		
	20	991006020	切線凸輪墊	Pole	2		
	21	991006021	凸輪	Thread shear cam	1		
	22	S073574006-1	螺釘 SM9/64" x40 L=5	Screw SM9/64x40 L=6	1		
C	23	991006023	連杆螺釘	Screw	2		
	24	991006024	連杆	Knife shaft connecting rod	1		
	25	280006019	切刀驅動曲柄軸	Thread shear rock arm shaft	1		
	26	991006026	扭簧端蓋	Spring cover	1		
	27	991006027	切線凸輪復位彈簧	Spring	1		
	28	991006028	切線凸輪曲柄組件	Thread shear rock arm shaft	1		
	29	S116354006	螺釘 SM11/64" x40	Screw SM11/64x40	1		
	30	991006030	滾柱	Roll shaft assy	1		
	31	991006031	螺母	Nut	1		
	32	991006032	切刀驅動軸	Thread shear shaft	1		
D	33	991006033	卡簧 E6	Retaining ring	1		
	34	991006034	電磁鐵緩衝墊	Magnetic plug cushion mat	1		
	35	991006035	切線電磁鐵頂銷	Magnetic plug pin	1		
	36	991006036	螺母 SMI/4" x40	Nut SMI/4x40	1		
	37	991006037	墊圈	Washer	1		
	38	S075952810C	螺釘	Screw	1		
	39	991006039	螺母 M4	Nut M4	2		
	40	991006040	切線電磁鐵支架	Magnetic plug cushion mat	1		
	41	991006041	松線座	Thread loose seat	1		
	42	995006042	彈簧	Spring	1		
E	43	991006043	螺釘	Screw	1		
	44	991006044	剪線電磁鐵組件	Magnetic plug	1		
	45	991006047	下軸中套	Bushing,lower shaft	1		
	46	991006048	墊圈 4.5x8x0.5	Washer 4.5x8x0.5	2		
	47	997006047	定刀架	Fixed tool rest	1		
	48	S074374007P	螺釘	Screw	1		

SIRUBA

PARTS LIST

Series

DL7200C-RM1

Parts Group

07

Subclass Remark

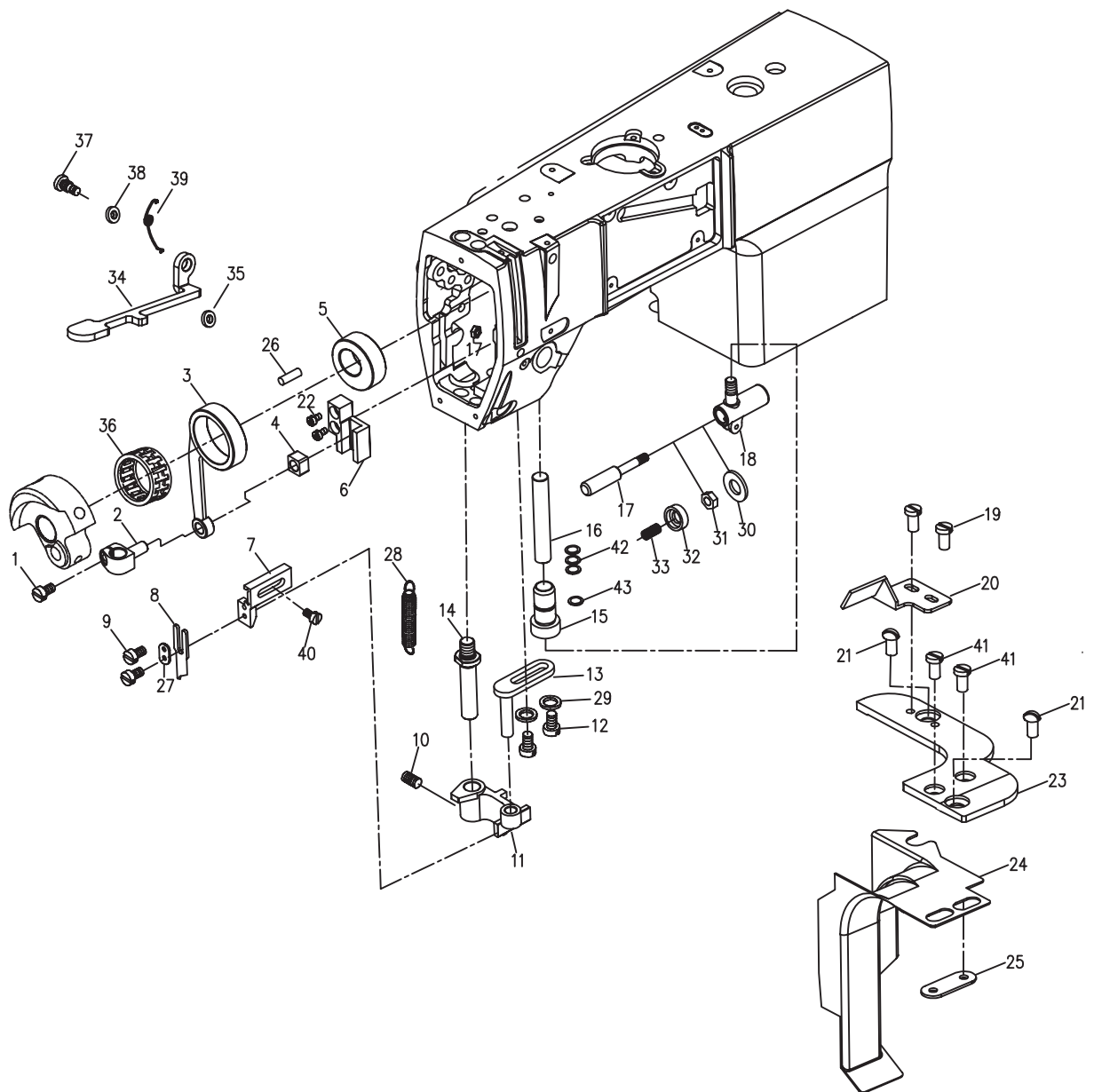
Page

1 / 1

Date

2022/04/19

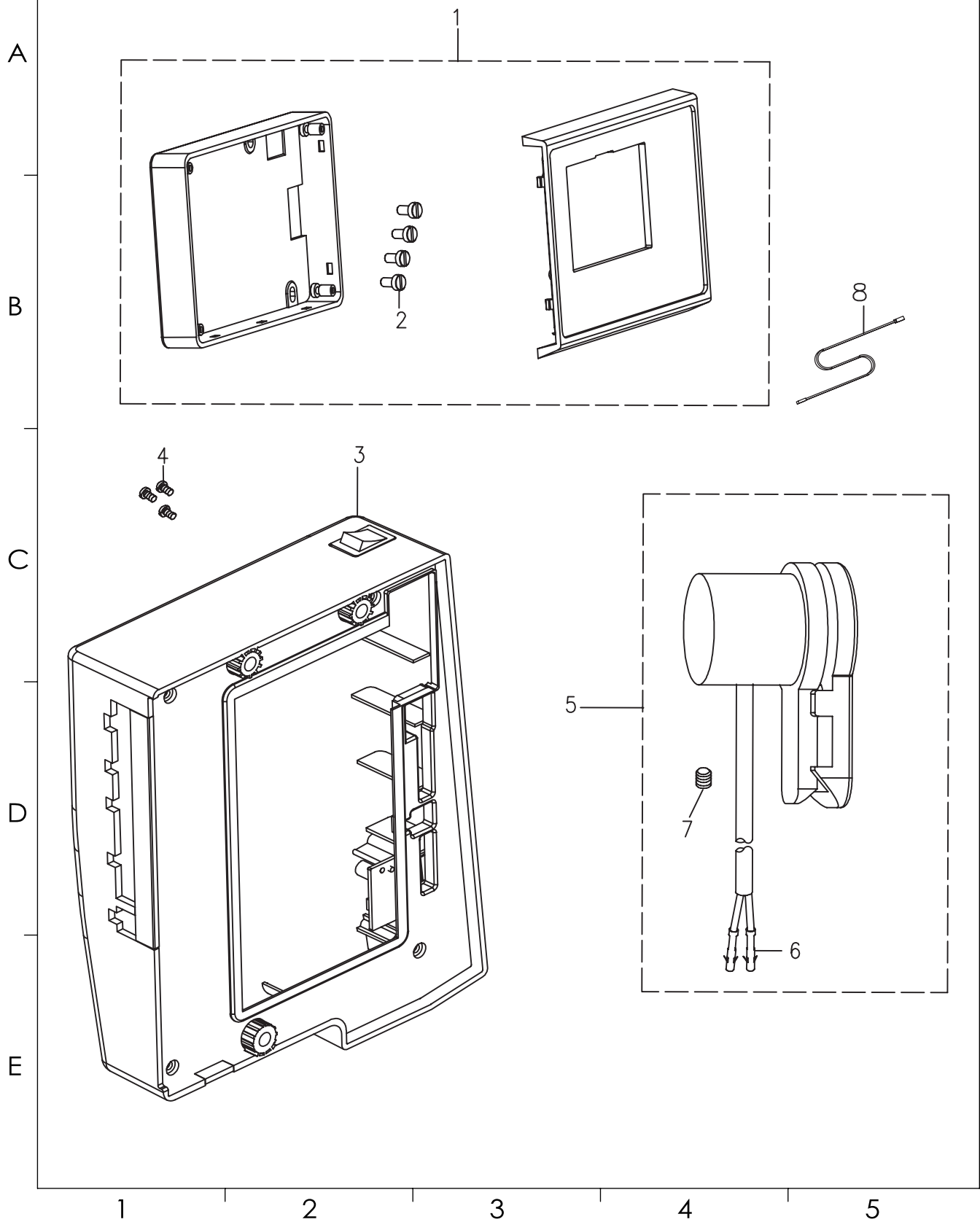
A
B
C
D
E



1 2 3 4 5

SIRUBA SEQUENCE LIST		Series		Parts Group		Subclass Remark		Page	
		DL7200C-RM1		07				1 / 1	
								Date	
								2022/04/19	
序號	新圖號	名稱	Name of parts		數量	備註			
A	1	S073574007	螺釘	Screw		1			
	2	997008002	接頭	Joint		1			
	3	997008003	連杆	Connecting rod		1			
	4	997008004	滑塊	Slider		1			
	5	997008005	偏心軸	Eccentric shaft		1			
	6	997008006	滑塊槽	Tool holder		1			
	7	997008007	刀架	Tool holder 1		1			
	8	997008008	上切刀	Blade		1			
	9	S073184406	螺釘	Screw		2			
	10	S084374012	螺釘	Screw		1			
	11	997008011	切刀座	Tool holder 2		1			
	12	M0700500808	螺釘	Screw		2			
	13	283007013	刀架導杆	Tool carrier guide 1		1			
	14	997008014	切刀座軸	Tool carrier guide 2		1			
B	15	997008015	刀架驅動軸套	Tool driving sleeve		1			
	16	997008016	刀架驅動軸	Tool carrier drive shaft		1			
	17	997008017	切刀離合銷	Tool pin		1			
	18	997008018	刀架支架	Tool crank		1			
	19	995007036	螺釘	Screw		2			
	20	997008020	針板擋屑導向板	Pin baffle guide plate		1			
	21	S044374006Z	螺釘	Screw		2			
	22	S074374012	螺釘	Screw		2			
	23	997008023	針板擋板	Needle plate baffle		1			
	24	997008024	針板擋屑罩	Pin baffle		1			
C	25	997008025	針板擋屑板安裝板	Pin plate mounting board		1			
	26	997008026	銷子	Pin		1			
	27	997008036	壓板	Press board		1			
	28	995007033	拉簧	Drag spring		1			
	29	997008039	墊片	Shim		1			
	30	997008032	端蓋	End cover		1			
	31	991006006	螺母	Nut		1			
	32	997008031	旋鈕	Knob		1			
	33	997008035	彈簧	Spring		1			
	34	995014015	切刀扳手	Knife wrench		1			
D	35	997008039	墊片	Washer		1			
	36	9950014018	滾針軸承 0-2	Needle bearing		1			
	37	995007037	螺釘	Screw		1			
	38	995007001	墊片	Shim		1			
	39	995014016	彈簧	Spring		1			
	40	995007035	螺釘	Screw		1			
	41	S073184406	螺釘	Screw		2			
	42	680005038	墊片	Shim		3			
	43	991005056-1	O 型圈	O ring		1			
E									

SIRUBA PARTS LIST	Series	Parts Group	Subclass Remark	Page
	DL7200C-RM1	08		1 / 1
				Date
				2022/04/19



SIRUBA SEQUENCE LIST	Series	Parts Group	Subclass Remark	Page
	DL7200C-RM1	08		1 / 1
				Date
				2022/04/19

序號	新圖號	名稱	Name of parts	數量	備註
1	288007001EQX	操作面板組件	Needle selection box asm.	1	
2	S073574006-1	螺釘	Screw	4	
3	288007003EQX	電控組件	Electronic control module	1	
4	S074762820	螺釘	Screw	3	
5	288007006E	電子夾線器元件	Electroni conductor holder asm.	1	
6	991008006	插針	Contact pin	2	
7	S144762805	電子夾線器固定螺釘	Screw 3/16X28	1	
8	288007008E	信號連接線	Signal Connecting line	1	

A

B

C

D

E

SIRUBA

PARTS LIST

Series

DL7200C-RM1

Parts Group

09

Subclass Remark

Page

1 / 1

Date

2022/04/19

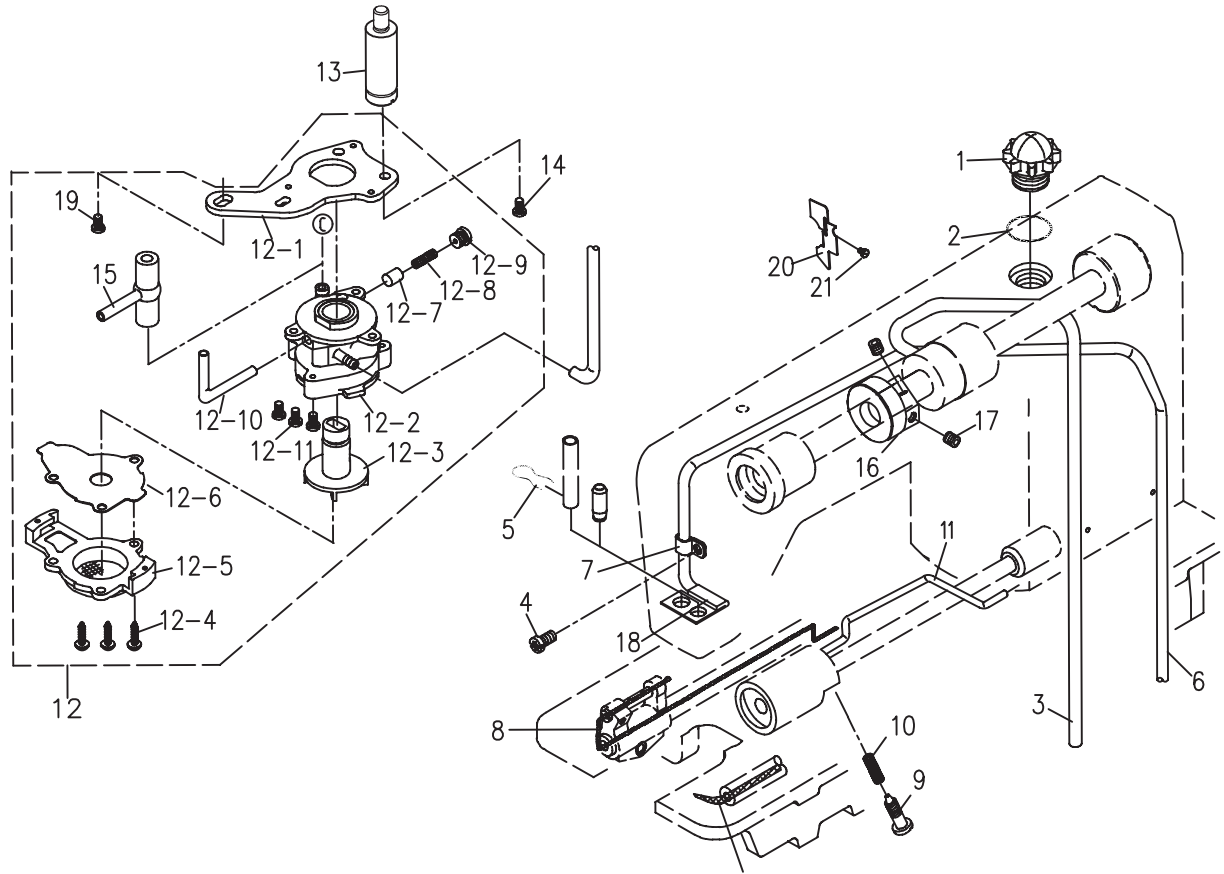
A

B

C

D

E



1

2

3

4

5

SIRUBA SEQUENCE LIST	Series	Parts Group	Subclass Remark	Page
	DL7200C-RM1	09		1 / 1
				Date 2022/04/19

序號	新圖號	名稱	Name of parts	數量	備註
1	991009001	油窗	Oil sight window	1	
2	991009002	油窗 O 型圈	Rubber ring	1	
3	991009003	上軸供油管	Main shaft oil tube	1	
	991009003B	上軸供油管 B	Main shaft oil tube	1	
4	S044762810	回油管夾螺釘	Screw 3/16x28 L=6	1	
5	991009005	回油氈夾	Oil felt presser	1	
6	991009006	回油管	Oil return tube asm	1	
7	991009007	回油管夾	Holder	1	
8	991009008	油線	Oil wick	2	
9	991009009-1	旋梭油量調節螺釘	Oil adjusting screw	1	
10	991009010	旋梭油量調節簧	Spring	1	
11	288008011EP	旋梭供油管	Oil tube	1	
12	991009012	油泵部件	Lubricating oil pump asm	1	
12-1	991009012-1	油泵安裝板	Oil pump installing base	1	
	991009012-2	油泵體	Oil pump	1	
12-3	991009012-3	油泵葉輪	Oil pump impeller	1	
12-4	991009012-4	油泵蓋螺釘	Screw	3	
12-5	991009012-5	油泵蓋	Lubricating oil pump cover	1	
12-6	991009012-6	油泵葉輪托板	Oil pump impeller cover	1	
12-7	991009012-7	回油柱塞	Plunger	1	
12-8	991009012-8	柱塞簧	Plunger spring	1	
12-9	991009012-9	柱塞螺釘	Plunger screw	1	
12-10	991009012-10	下軸供油管	Hook driving shaft oil tube	1	
12-11	M070300508	油泵安裝螺釘	Screw M3 L=8	3	
13	991009013	油泵連接螺柱	Oil pump support,large	1	
14	ZSD15005	油泵螺釘	Screw	1	
15	991009015	供油管接頭	Rubber joint	1	
16	997002047	繞線器驅動輪	Bobbin pulley	1	
17	S144374006	繞線器驅動輪螺釘	Screw	2	
18	991009019	油氈	Asphalt felt	1	
19	S075952810	油泵螺釘	Screw	1	
20	288008020E	擋油板	Baffle	1	
21	S094762806	擋板螺釘	Screw	1	

D

E

SIRUBA

PARTS LIST

Series

DL7200C-RM1

Parts Group

10

Subclass Remark

Page

1 / 1

Date

2022/04/19

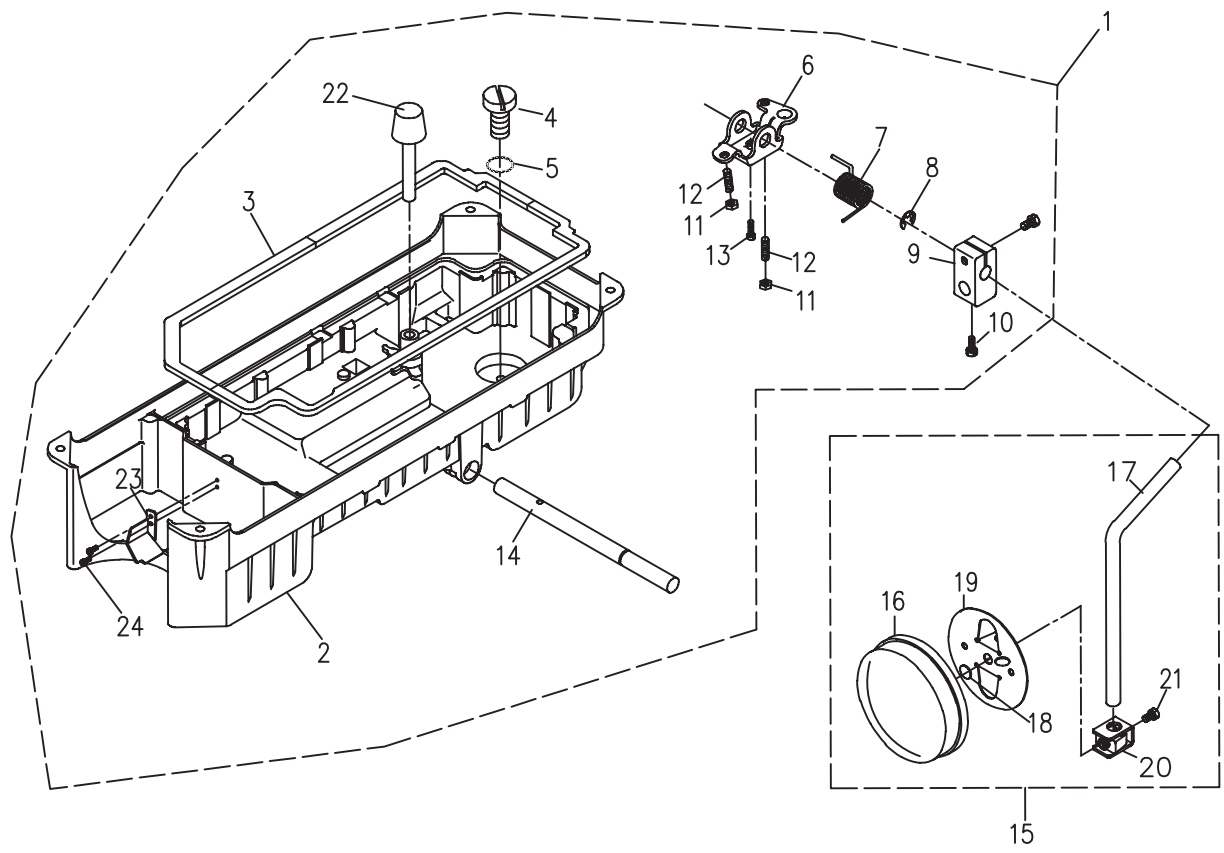
A

B

C

D

E



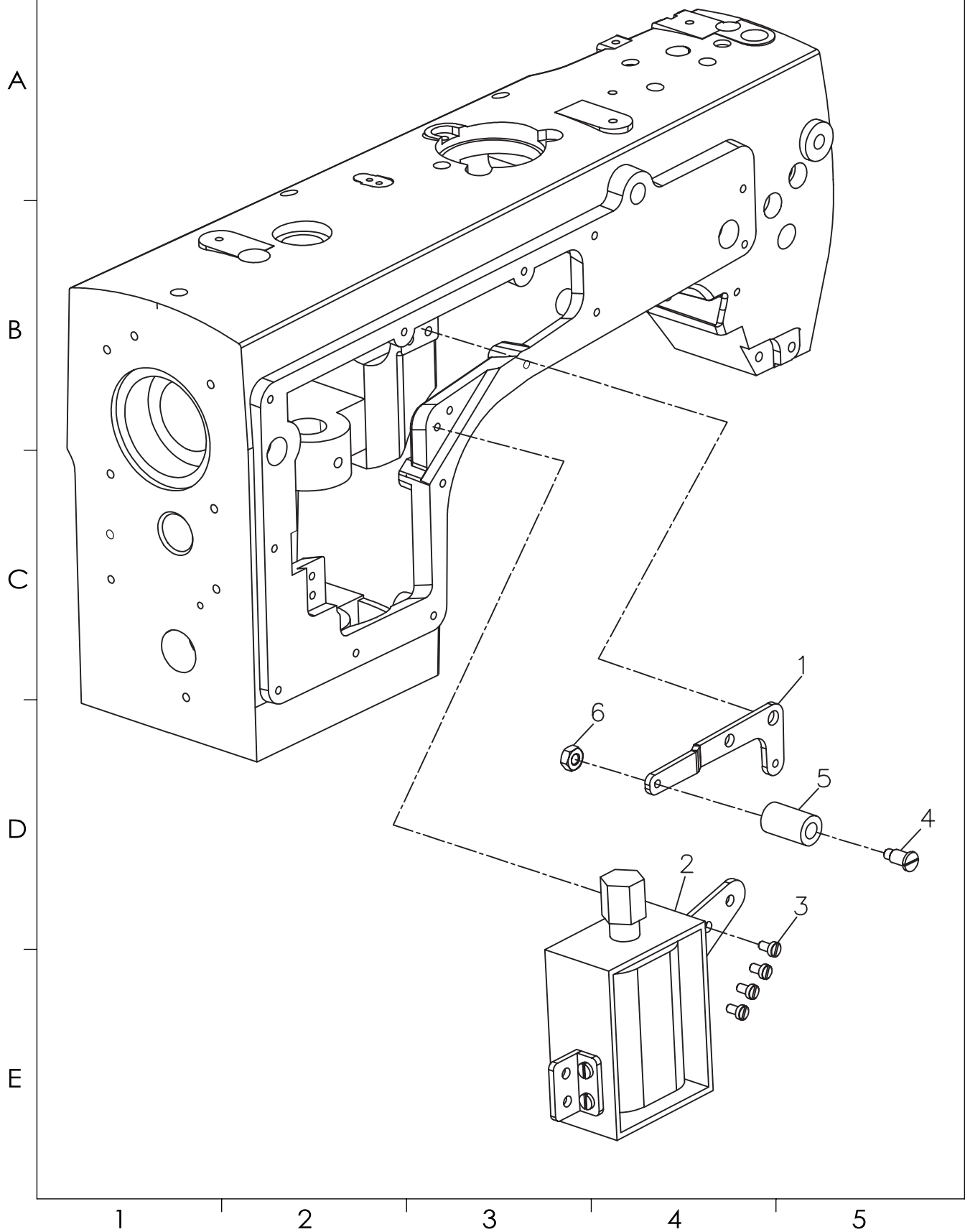
1 2 3 4 5

SIRUBA SEQUENCE LIST	Series	Parts Group	Subclass Remark	Page
	DL7200C-RM1	10		1 / 1
				Date 2022/04/19

序號	新圖號	名稱	Name of parts	數量	備註	
1	995010001	油盤部件	Oil reservoir asm	1		
2	995010002	油盤	Oil reservoir	1		
3	991010003	油盤墊	Oil reservoir gasket	1		
A	4	S077942407	排油孔螺釘	Screw 5/16x24 L=7	1	
	5	991010005	排油孔螺釘 O 型圈	Rubber ring	1	
	6	991010006	抬壓腳雙向曲柄	Knee lifting rotating arm	1	
	7	991010007	雙向曲柄扭簧	Spring	1	
	8	991010008	抬壓腳軸開口擋圈	E-ring	1	
	9	991010009	抬壓腳操縱杆接頭	Vertical shaft fitting arm	1	
	10	991010010	操縱杆接頭螺釘	Screw	2	
	11	N210601006	雙向曲柄限位調節螺母	Nut M6	2	
	12	M120601030	雙向曲柄限位調節螺釘	Screw M6 L=30	2	
B	13	M190601018	雙向曲柄螺釘	Screw M6 L=17.5	1	
	14	995010014	抬壓腳軸	Knee press cross shaft	1	
	15	991010015	操縱杆部件	Knee pan plate asm	1	
	16	991010016	操縱杆軟墊	Knee pan plate cover	1	
	17	991010017	操縱杆	Knee pan upright shaft	1	
	18	991010018	操縱杆墊	Knee pan plate rubber	1	
	19	991010019	操縱板	Knee pan plate	1	
	20	991010020	操縱杆接頭	Knee pan plate support	1	
	21	M190601012	接頭螺釘	Screw M6 L=12	1	
	22	991010022	抬壓腳頂杆	Knee lifter push rod	1	
	23	995013021	擋屑板	Scrapper plate	1	
	24	S074374005P	螺釘	Screw	2	

C					
D					
E					

SIRUBA PARTS LIST	Series	Parts Group	Subclass Remark	Page
	DL7200C-RM1	11		1 / 1
				Date
				2022/04/19



SIRUBA SEQUENCE LIST	Series	Parts Group	Subclass Remark	Page
	DL7200C-RM1	11		1 / 1
				Date
				2022/04/19

序號	新圖號	名稱	Name of parts	數量	備註
1	288010001E	抬壓腳後杠杆	Lever for lifting presser foot	1	
2	920015002	抬壓腳電磁鐵	foot lifter electromagnet	1	
3	S094762809	螺釘 SM3/16X28 L=9	Screw	4	
4	920015004	螺釘	Screw	1	
5	920015005	抬壓腳後杠杆套	Lever sleeve for lifting presser foot	1	
6	920015006	螺母	Nut	1	

A

B

C

D

E

1

2

3

4

5

SIRUBA

PARTS LIST

Series

DL7200C-RM1

Parts Group

12

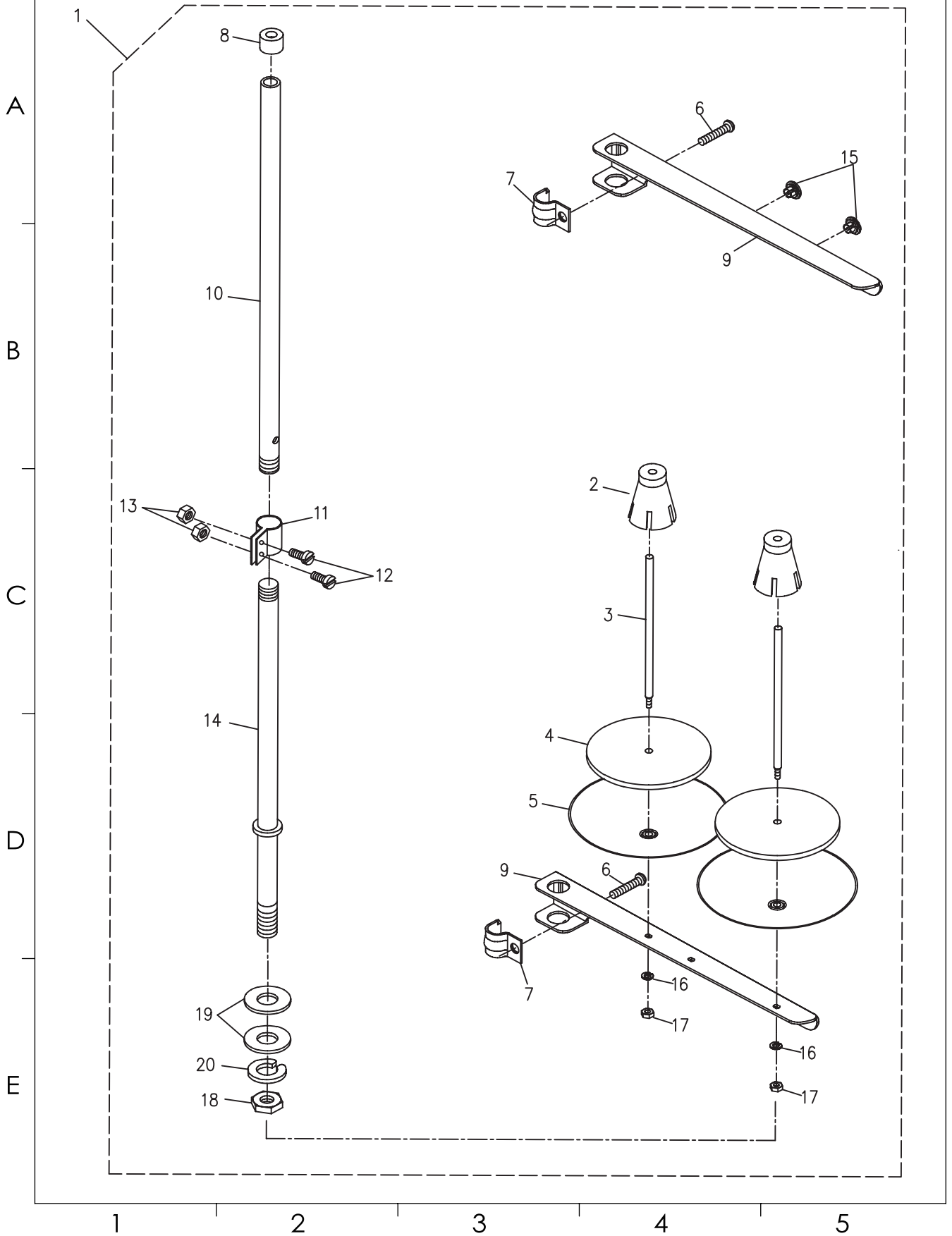
Subclass Remark

Page

1 / 1

Date

2022/04/19



SIRUBA SEQUENCE LIST	Series	Parts Group	Subclass Remark	Page
	DL7200C-RM1	12		1 / 1
				Date
2022/04/19				

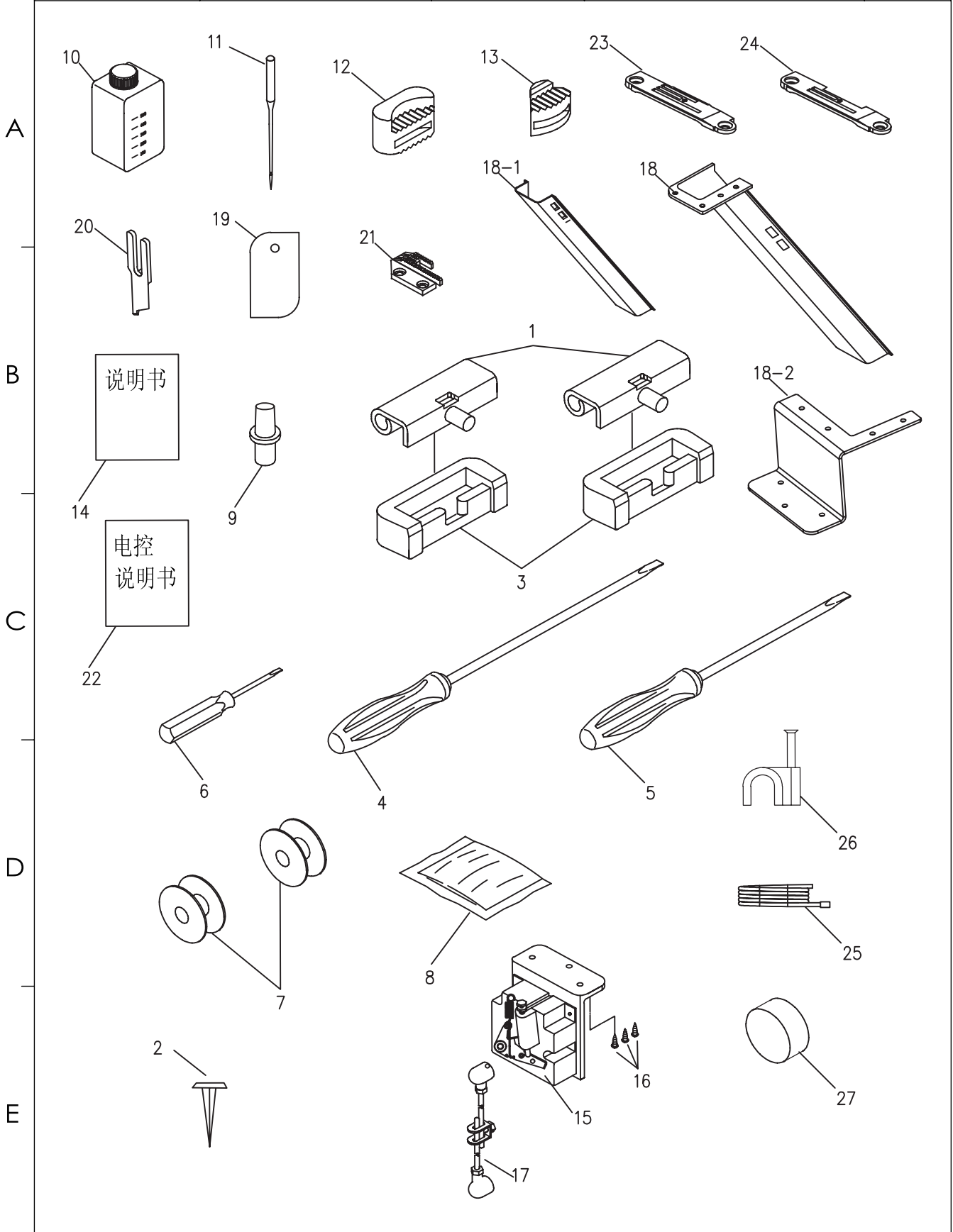
序號	新圖號	名稱	Name of parts	數量	備註
1	991013001	過線架部件	Thread stand asm	1	
2	991013002	線團防松墊	Spool retainer	2	
3	991013003	線盤釘	Spool pin	2	
4	991013004	線盤輪墊	Spool rest cushion	2	
5	991013005	線盤	Spool rest	2	
6	M090601016	線架過線夾螺釘	Screw M6×16	2	
7	991013007	線架過線夾	Thread guide arm joint	2	
8	991013008	線架杆頂防護橡皮	Spool rest rod rubber cap	1	
9	991013009	線架過線杆	Spool rest arm	2	
10	991013010	線架杆上節	Spool rest rod upper	1	
11	991013011	接架杆接頭	Spool rest rod joint	1	
12	M090500814	接架杆接頭螺釘	Screw M5×14	2	
13	N210500805	接架杆接頭螺母	Nut M5	2	
14	991013014	線架杆下節	Spool rest rod lower	1	
15	991013015	過線圈	Thread guide	2	
16	991013016	線盤釘彈簧墊	Spring washer	2	
17	991013017	線盤釘螺母	Nut M5	2	
18	991013018	線架杆緊固螺母	Nut M6×1.5	1	
19	991013019	線架杆緊固螺母墊圈	Washer 16×30×2.6	2	
20	991013020	緊固螺母彈簧墊圈	Spring washer	1	

C

D

E

SIRUBA PARTS LIST	Series	Parts Group	Subclass Remark	Page
	DL7200C-RM1	13		1 / 1
				Date
				2022/04/19



1 2 3 4 5

SIRUBA SEQUENCE LIST	Series	Parts Group	Subclass Remark	Page
	DL7200C-RM1	13		1 / 1
				Date 2022/04/19

序號	新圖號	名稱	Name of parts	數量	備註
1	991014001	機頭連接鉤元件	Machine hinge plate asm.	2	
2	991014002	機頭連接鉤座釘	Nail	4	
3	991014003	機頭連接鉤座	Machine hinge plate	2	
4	991014004	螺絲刀 (大)	Screw driver,large	1	
5	991014005	螺絲刀 (中)	Screw driver.mendum	1	
6	991014006	螺絲刀 (小)	Screw driver.small	1	
7	991003029	梭心	Bobbin	2	
8	991014008	機頭罩	Macgube head cover	1	
9	288011012	機頭支柱	Macgube rest cover	1	
10	991014010	油箱部件	Oil reservoir asm.	1	
11	991014011	機針 DBxl #14	Needle DBxl #14	4	
12	991014012	防震墊 (A)	quakeproof washer A	2	
13	991014013	防震墊 (B)	quakeproof washer B	2	
14	283014014	說明書	Instruction book	1	
15	990000002	控速器	speed controller	1	
16	991014018	控速器安裝螺釘	speed controller screw	3	
17	991014019	控速器拉杆	speed controller pull rod	1	
18	995013018D	角鬥 (大)	Wrestle (large)	1	
18-1	995013018Z	角鬥 (中)	Wrestle (mendum)	1	
18-2	995013018X	角鬥 (小)	Wrestle (small)	1	
19	995013019	上蓋板	Upper cover plate	1	
20	995014008	上切刀	Blade	1	
21	995005031	送布牙 1/4	Fedd dog I	1	
22	288012014EQX	電控說明書	Electric control manual	1	
23	997001030-2	針板 1/4	Throat plate1/4	1	
24	997001030-1	針板 1/8	Throat plate1/8	1	
25	990000003	電源線	Power cord	1	
26	280015026	線卡釘	Thread clip	6	
27	870009007	磁鐵	Magnet	1	



高林股份有限公司
KAULIN MFG. CO., LTD.

由於對產品的改良及更新，本產品零件圖及外觀的修改恕不事先通知！
The specification and/or appearances of the equipment described in this parts list are
subject to change because of modification which will without previous notice.
BYL-13S18.JAN.2023