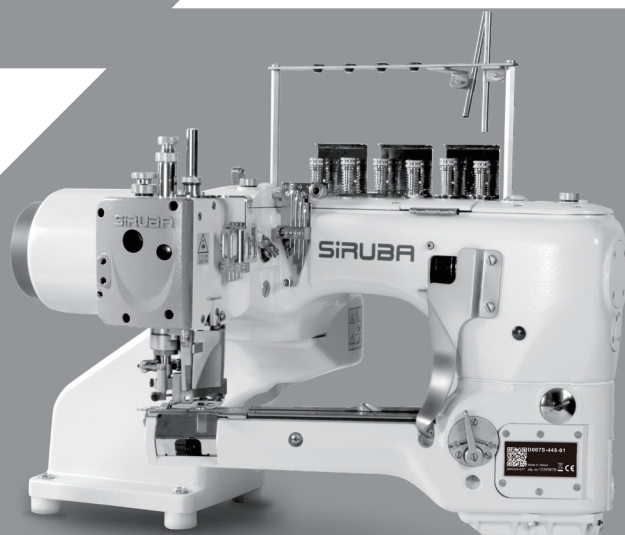


SIRUBA

零件圖

PARTS LIST

■ D007S/D007SX



CE

SIRUBA		Series		Remark												Page	Date
GAGE PARTS LIST		D007S/D007SX														2/3	2021/05/06
Model	Presser Foot, C. Set	Presser Foot	Presser Foot Spring Plate(Left)	Presser Foot Spring Plate(Right)	Top Cover Thread Hook	Top Cover Thread Carrier	Lower Knife	Lower Knife Clamp	Yielding Section	Upper Knife	Presser Foot Tongue	Lap Former	Needle Clamp				
機型	壓腳組	壓腳	壓腳彈簧片(左)	壓腳彈簧片(右)	上飾線邊線勾	上飾線托架	下刀片	下切刀夾板	小壓具	上切刀片	壓腳舌片	導布器	針腳				
D007S-460-01H	P90010-A	P90010-1	P90101	P90102	P90201	P90302	P90401	P90502	P90601	P90701	-	-	M90002				
D007S-452-02-T2	P90011-A	P90011-1	P90103	P90104	-	-	P90401	P90502	P90602	P90701	P90801	A90001	M90001				
D007S-460-02-T2	P90012-A	P90012-1	P90103	P90104	-	-	P90401	P90502	P90602	P90701	P90801	A90001	M90002				
D007S-452-02H-T2	P90013-A	P90013-1	P90103	P90104	-	-	P90402	P90502	P90602	P90702	P90801	A90002	M90001				
D007S-460-02H-T2	P90014-A	P90014-1	P90103	P90104	-	-	P90402	P90502	P90602	P90702	P90801	A90002	M90002				
D007S-452-02-DS	P90015-A	P90015-1	P90111	P90112	P90201	P90301	P90401	P90502	P90601	P90701	-	A90003	M90001				
D007S-460-02-DS	P90016-A	P90016-1	P90111	P90112	P90201	P90302	P90401	P90502	P90601	P90701	-	A90003	M90002				
D007S-452-02R	P90017-A	P90017-1	P90107	P90108	P90201	P90301	P90401	P90502	P90601	P90701	P90801	A90001	M90001				
D007S-460-02R	P90018-A	P90018-1	P90107	P90108	P90201	P90302	P90401	P90502	P90601	P90701	P90801	A90001	M90002				
D007S-452-02H1	P90019-A	P90019-1	P90109	P90110	P90201	P90301	P90402	P90502	P90602	P90702	P90803	A90003	M90001				
D007S-460-02H1	P90020-A	P90020-1	P90109	P90110	P90201	P90302	P90402	P90502	P90602	P90702	P90803	A90003	M90002				
D007S-452-02RH	P90021-A	P90021-1	P90105	P90106	P90201	P90301	P90402	P90502	P90601	P90702	P90802	A90002	M90001				
Model	Stitch Plate, C. Set	Stitch Plate	Stitch Plate Tongue	Main Feed Dog	Needle Guard (Rear)	Differential Feed Dog	Looper	Needle Guard (Front)									
機型	針板組	針板	針板舌片	主齒	針擋(後)	差動齒	下勾針	針擋(前)									
D007S-460-01H	E90002-A	E90002	E90102	D90001	D90101	H90001	DE0821	DE0845									
D007S-452-02-T2	E90003-A	E90003	E90101	D90002	D90101	H90001	DE0821	DE0845									
D007S-460-02-T2	E90004-A	E90004	E90102	D90002	D90101	H90001	DE0821	DE0845									
D007S-452-02H-T2	E90003-A	E90003	E90101	D90002	D90101	H90001	DE0821	DE0845									
D007S-460-02H-T2	E90004-A	E90004	E90102	D90002	D90101	H90001	DE0821	DE0845									
D007S-452-02-DS	E90001-A	E90001	E90101	D90001	D90101	H90001	DE0821	DE0845									
D007S-460-02-DS	E90002-A	E90002	E90102	D90001	D90101	H90001	DE0821	DE0845									
D007S-452-02R	E90001-A	E90001	E90101	D90001	D90101	H90001	DE0821	DE0845									
D007S-460-02R	E90002-A	E90002	E90102	D90001	D90101	H90001	DE0821	DE0845									
D007S-452-02H1	E90003-A	E90003	E90101	D90002	D90101	H90001	DE0821	DE0845									
D007S-460-02H1	E90004-A	E90004	E90102	D90002	D90101	H90001	DE0821	DE0845									
D007S-452-02RH	E90001-A	E90001	E90101	D90001	D90101	H90001	DE0821	DE0845									

SiRUBA PARTS LIST	Series	Parts Group	Subclass / Remark	Page
	D007S/ D007SX	Exclusive Parts	452-01 其他單切機型 (-01) 參考規格件表	1 / 1
				Date
				2021/05/06

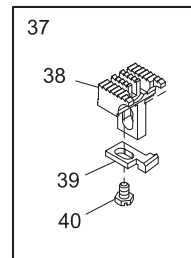
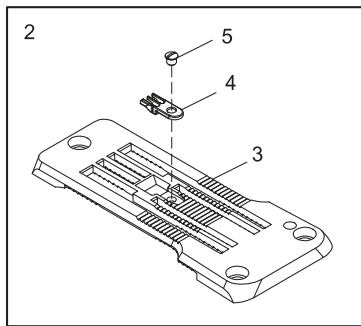
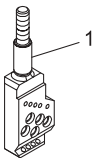
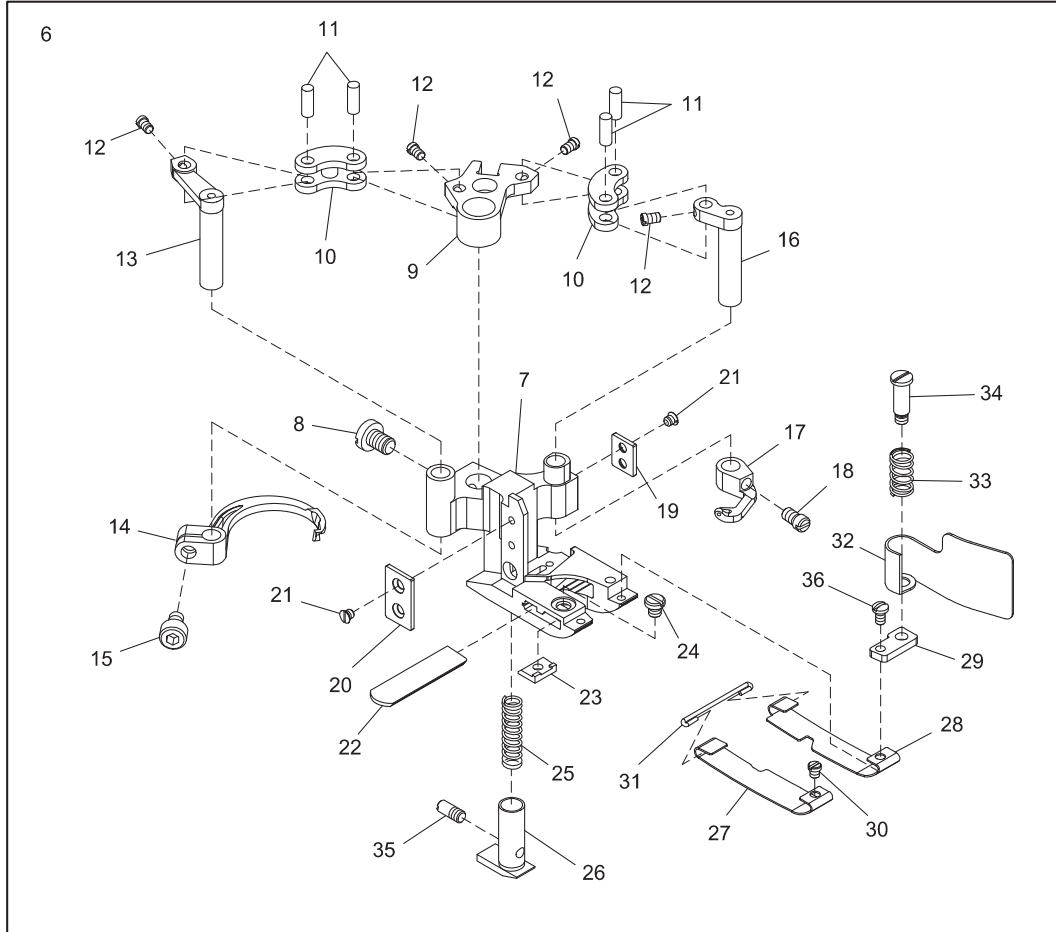
A

B

C

D

E



1

2

3

4

5

SIRUBA SEQUENCE LIST	Series	Parts Group	Subclass / Remark	Page
	D007S/ D007SX	Exclusive Parts	452-01 其他單切機型 (-01) 參考規格件表	1 / 1
				Date
				2021/05/06

A

B

C

D

E

Ref.N	Parts.No	Description	品 名	Amt.Req
1	M90001	Needle Clamp	針鑷5.2	1
2	E90001-A	Stitch Plate, C. Set	針板組 5.2	1
3	E90001	Stitch Plate	針板 5.2	1
4	E90101	Stitch Plate Tongue	針板舌片 5.2	1
5	DF0546	Screw (3/32-56x2.5)	螺絲	1
6	P90001-A	One Side Cut Presser Foot, C. Set	單切壓腳組 5.2	1
7	P90001-1	One Side Cut Presser Foot	單切壓腳 5.2	1
8	P90001-2	Screw (11/64-40x6.5)	螺絲	1
9	P90001-3	Carrier/Hook Driving Segment	上勾針驅動扇形片	1
10	P90001-4	Carrier/Hook Driving Lever Link	上勾針驅動連桿	2
11	P90001-5	Link Pin	連桿插銷	4
12	P90001-6	Screw (3/32-56x3.3)	螺絲	4
13	P90001-7	Thread Hook Driving Lever	勾針驅動橫桿	1
14	P90201	Top Cover Thread Hook	上飾線過線勾	1
15	P90001-8	Screw (9/64-40x6)	螺絲	1
16	P90001-9	Top Cover Thread Carrier Driving Lever	上飾線托架驅動橫桿	1
17	P90301	Top Cover Thread Carrier	上飾線托架 5.2	1
18	P90001-10	Screw (1/8-44x5)	螺絲	1
19	P90001-11	Presser Foot Attach Piece (Right)	壓腳連接片 (右)	1
20	P90001-12	Presser Foot Attach Piece (Left)	壓腳連接片 (左)	1
21	P90001-13	Screw (3/32-56x2.5)	螺絲	4
22	P90401	Lower Knife	下切刀	1
23	P90501	Lower Knife Clamp	下切刀夾板	1
24	P90001-14	Screw (1/8-44x3.4)	螺絲	1
25	P90001-15	Yielding Section Spring	小壓具彈簧	1
26	P90601	Yielding Section	小壓具	1
27	P90101	Presser Foot Spring Plate (Left)	壓腳彈簧片 (左)	1
28	P90102	Presser Foot Spring Plate (Right)	壓腳彈簧片 (右)	1
29	P90001-16	Chip Guard Plate	切角防護片座	1
30	P90001-17	Screw (3/32-56x2.6)	螺絲	1
31	P90001-18	Spring Plate Holder	彈簧片固定鐵勾	1
32	P90001-19	Chip Guard	切角防護片	1
33	P90001-20	Chip Guard Spring	切角防護片彈簧	1
34	P90001-21	Screw (1/8-44x3.4)	螺絲	1
35	P90001-22	Screw (1/8-44x5.3)	螺絲	1
36	P90001-23	Screw (3/32-56x4.3)	螺絲	1
37	D90001-A	Main Feed Dog, C. Set	主齒組	1
38	D90001	Main Feed Dog	主齒	1
39	D90101	Needle Guard (Rear)	針檔(後)	1
40	DG1011	Screw (1/8-44x4.8)	螺絲	1

1

2

3

4

5

SIRUBA PARTS LIST	Series	Parts Group	Subclass / Remark	Page
	D007S/ D007SX	Exclusive Parts	460-02 其他雙切機型 (-02) 參考規格件表	1 / 1
				Date
				2021/05/06

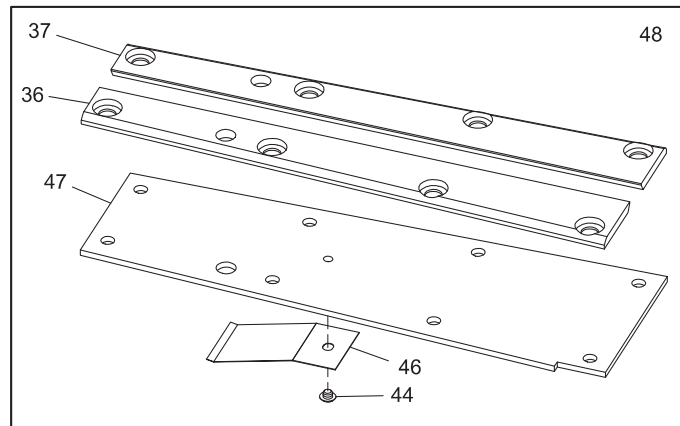
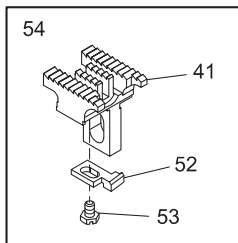
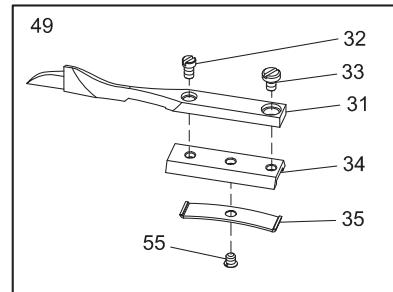
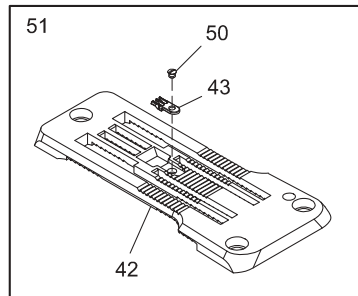
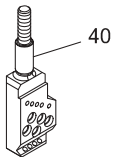
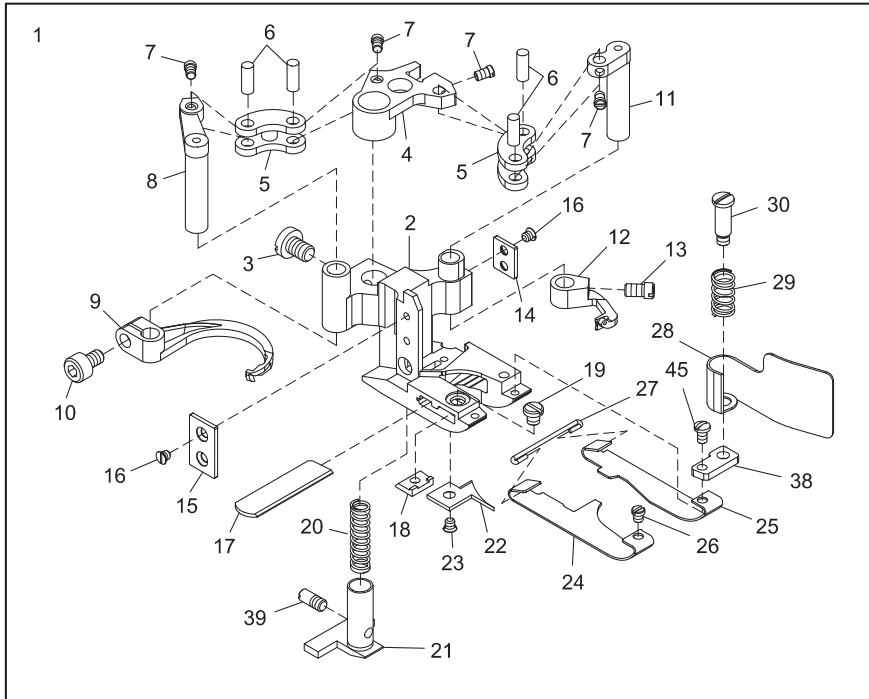
A

B

C

D

E



1

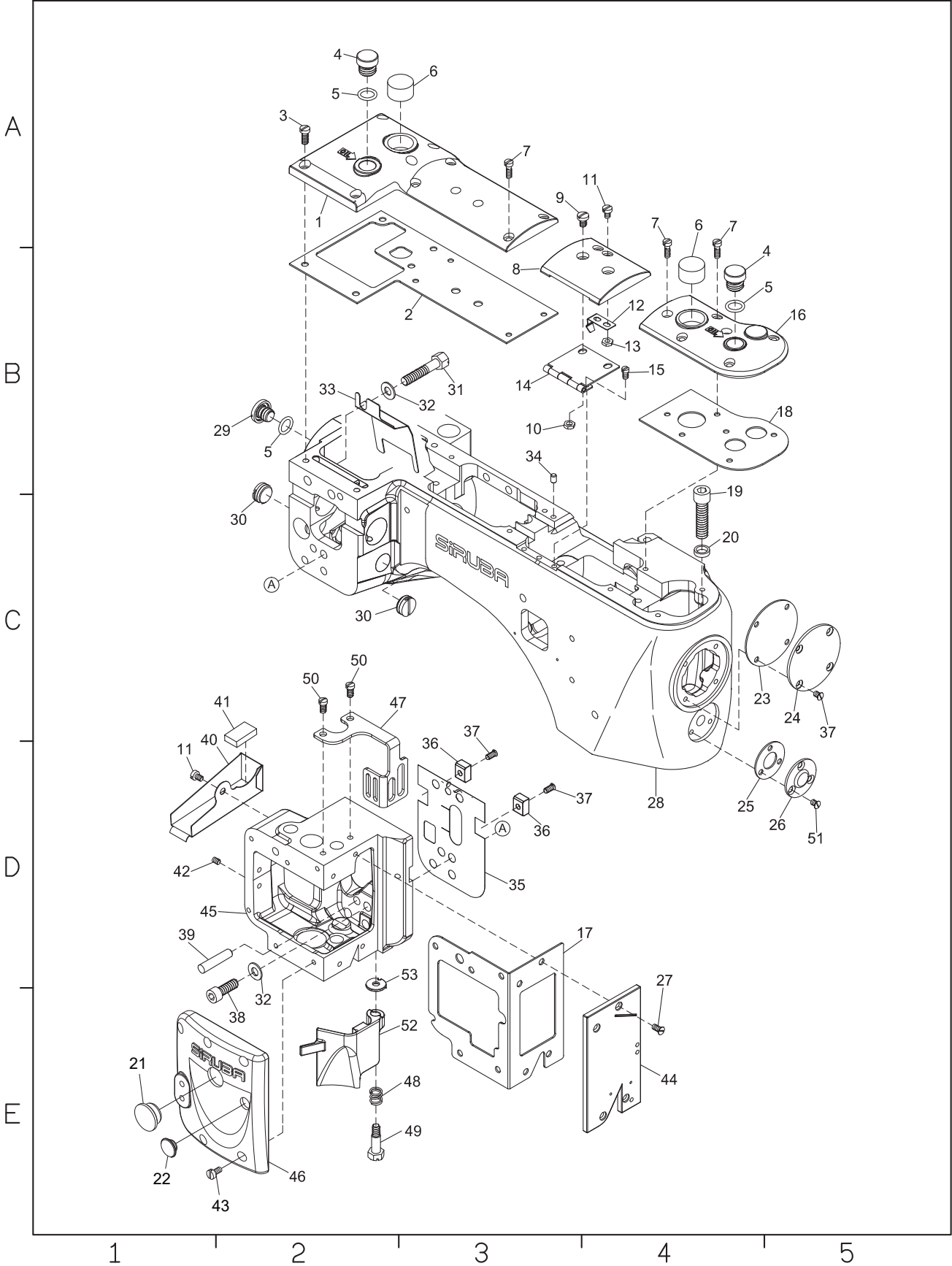
2

3

4

5

SIRUBA PARTS LIST	Series	Parts Group	Subclass / Remark	Page
	D007S/ D007SX	DA		1/1
				Date
				2021/05/06



SIRUBA SEQUENCE LIST	Series	Parts Group	Subclass / Remark	Page
	D007S/ D007SX	DA		1 / 1
				Date
				2021/05/06

A

B

C

D

E

Ref.N	Parts.No	Description	品 名	Amt.Req
1	DA0101	Crank Chamber Cover	曲軸室上蓋	1
2	DA0102	Crank Chamber Cover Gasket	曲軸室墊片	1
3	DA0103	Screw (11/64-40x10)	螺絲	5
4	DA0104	Screw (M12-1.75x9)	螺絲	2
5	DA0105	O-ring (P10)	O型橡膠環	3
6	DA0106	Oil Sight Top Window	上油鏡	2
7	DE0834	Screw (9/64-40x11)	螺絲	10
8	DA0108	Top Cover (Middle)	上蓋 (中)	1
9	DG1009	Screw (11/64-40x8)	螺絲	2
10	DA0110	Nut	螺帽	2
11	DA0111	Screw (9/64-40x5.6)	螺絲	3
12	DA0112	Top Cover (Middle) Spring	上蓋 (中) 彈簧	1
13	DA0113	Nut	螺帽	2
14	DA0114	Top Cover (Middle) Hinge	上蓋板 (中) 活動板	1
15	DA0115	Screw (9/64-40x6)	螺絲	3
16	DA0116	Top Cover (Front)	上蓋 (前)	1
17	DA0155	Sewing Head Cover Gasket	止油墊片	1
18	DA0118	Top Cover (Front) Gasket	上蓋墊片 (前)	1
19	DA0119	Screw (5/16-24x32)	螺絲	3
20	DA0120	Washer	墊片	3
21	DA0148	Seal Plug	油塞	1
22	DA0149	Seal Plug	油塞	1
23	DA0123	Machine Frame End Cover Gasket	防油墊片	1
24	DA0124	Machine Frame End Cover	防油蓋	1
25	DA0125	Looper Lever Shaft Cover Gasket	防油墊片	1
26	DA0126	Looper Lever Shaft Cover	防油蓋	1
27	DA0127	Screw (9/64-40x8)	螺絲	4
28	DA0159	Machine Frame	機殼	1
29	DA0129	Drain Hole Screw (3/8-24x8)	止油螺絲	1
30	DA0130	Plug Screw (M14-1x4.8)	止油螺絲	2
31	DA0131	Screw (1/4-28x32.5)	螺絲	2
32	DA0132	Washer	墊片	3
33	DA0133	Crank Chamber Cover Oil Shield	防油鐵片	1
34	DA0134	Oil Seal Plug	橡膠塞	1
35	DA0135	Sewing Head Oil Defense	防油板	1
36	DA0136	Sewing Head Key	機殼固定塊	2
37	DA0137	Screw (9/64-40x8)	螺絲	9
38	DA0138	Screw (1/4-28x20)	螺絲	1
39	DA0139	Pin	插銷	1
40	DA0140	Knife Driving Connection Oil Guard	油槽	1
41	DA0141	Knife Driving Connection Felt	油棉墊	1
42	DA0142	Screw (9/64-40x6)	螺絲	2
43	DA0143	Screw (9/64-40x7.3)	螺絲	5
44	DA0156	Sewing Head Cover Gasket (Front)	車頭前蓋	1
45	DA0160	Machine Frame	機殼	1
46	DA0146	Sewing Head Cover (Left)	車頭蓋	1
47	DA0157	Needle Thrad Take-up Guard	護蓋	1
48	DA0153	Frame Chip Guard Spring	彈簧	1
49	DA0154	Screw (M5-0.8X8.7)	螺絲	1
50	DA0158	Screw (M4-0.7x7.8)	螺絲	2
51	DA0151	Screw (9/64-40x5.6)	螺絲	3
52	DA1746	Frame Chip Guard	防護板	1
53	DA0166	Frame Chip Guard Washer	墊片	1

1

2

3

4

5

SiRUBA PARTS LIST	Series	Parts Group	Subclass / Remark	Page
	D007S	DA	452(460)-01	1 / 1
				Date
				2021/05/06

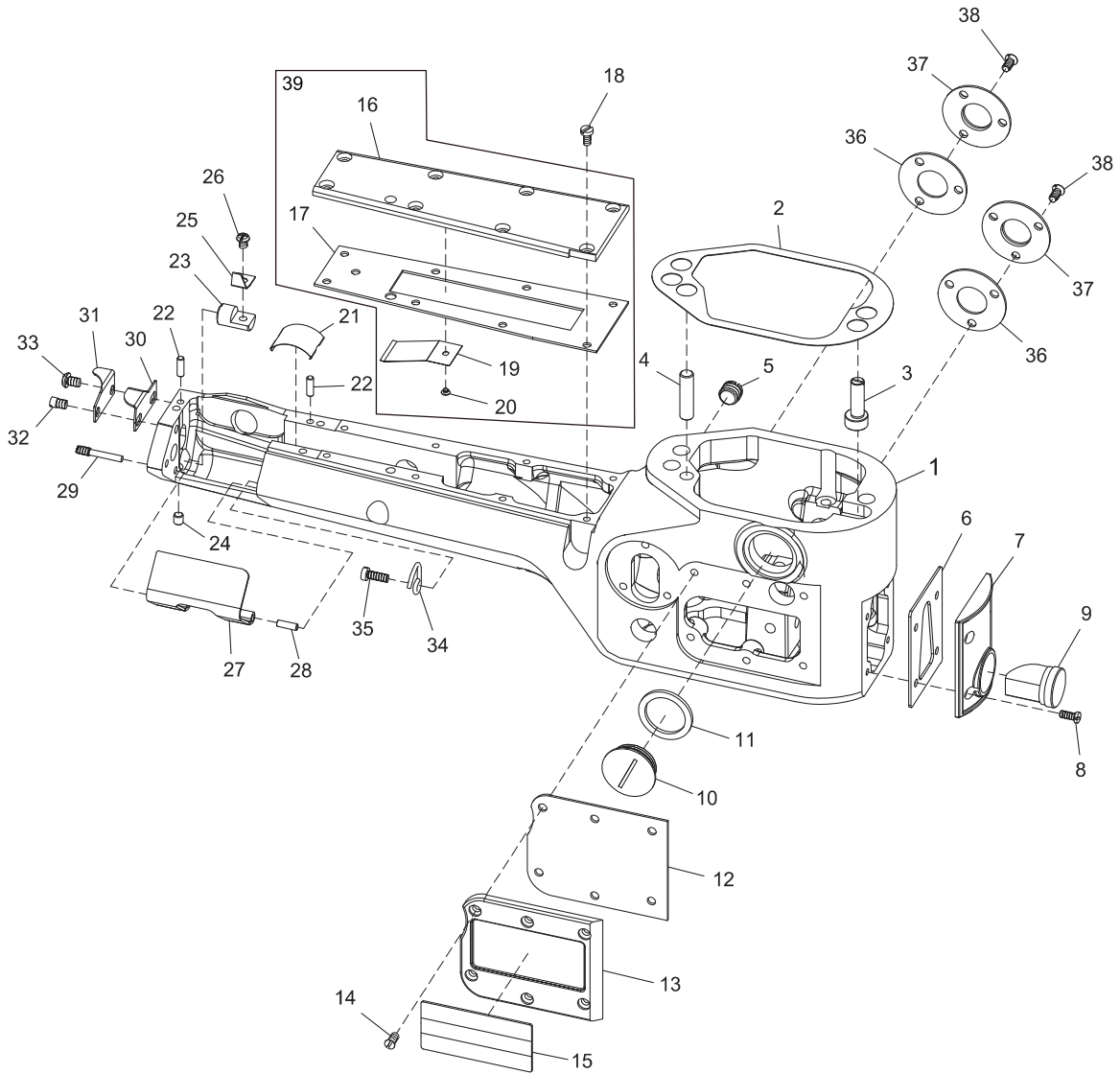
A

B

C

D

E



1

2

3

4

5

SIRUBA SEQUENCE LIST	Series	Parts Group	Subclass / Remark	Page
	D007S	DA	452(460)-01	1 / 1
				Date
				2021/05/06

A

B

C

D

E

Ref.N	Parts.No	Description	品 名	Amt.Req
1	DA0201	Sewing Cylinder	圓筒部機殼	1
2	DA0202	Sewing Cylinder Gasket	止油銅墊片	1
3	DA0203	Alignment Pin	調節插銷	1
4	DA0204	Knock Pin	頂出銷	1
5	DA0205	Screw (3/8-24x5.4)	螺絲	1
6	DA0206	Seal Gasket	止油墊片	1
7	DA0207	Cylinder Frame Cover (Front)	前蓋	1
8	DA0208	Screw (1/8-44x7.7)	螺絲	4
9	DA0209	Oil Gauge	油錶	1
10	DA0210	Screw (M22-1.5x5.7)	螺絲	1
11	DA0211	Gasket	橡膠墊片	1
12	DA0212	Seal Gasket	止油墊片	1
13	DA0213	Cylinder Frame Cover (Left)	左蓋	1
14	DA0137	Screw (9/64-40x8)	螺絲	6
15	DA0215	Model Plate	型號銘牌	1
16	DA0216	Cylinder Frame Cover (Upper)	上蓋	1
17	DA0217	Seal Gasket	止油墊片	1
18	DA0218	Screw (1/8-44x6.5)	螺絲	8
19	DA0219	Dust Defender (Upper)	防塵蓋 (上)	1
20	DA0220	Screw (3/32-56x2.1)	螺絲	1
21	DA0221	Dust Defender (Lower)	防塵蓋 (下)	1
22	DA0222	Pin	插銷	2
23	DA0223	Looper Cover Spring Support	彈簧片座	1
24	DA0224	Screw (11/64-40x4.8)	螺絲	1
25	DA0225	Looper Cover Spring	下勾針蓋彈簧片	1
26	DA0226	Screw (9/64-40x4.7)	螺絲	1
27	DA0227	Lopper Cover	下勾針蓋	1
28	DA0228	Pin	插銷	1
29	DA0229	Screw (9/64-40x6.4)	螺絲	1
30	DA0230	Chain-off Cutting Knife	割刀	1
31	DA0231	Chain-off Cutting Knife Guard	割刀固定片	1
32	DA0232	Screw (M4-0.7x4.5)	螺絲	1
33	DA0233	Screw (M4-0.7x5.8)	螺絲	1
34	DA0234	Looper Thread Guide Wire	過線圈	1
35	DA0143	Screw (9/64-40x7.3)	螺絲	1
36	DA0236	Feed Drive Shaft Cover Gasket	止油墊片	2
37	DA0237	Feed Drive Shaft Cover	止油蓋	2
38	DA0151	Screw (9/64-40x5.6)	螺絲	6
39	DA02039	Cylinder Frame Cover (Upper), C. Set	上蓋組	1

1

2

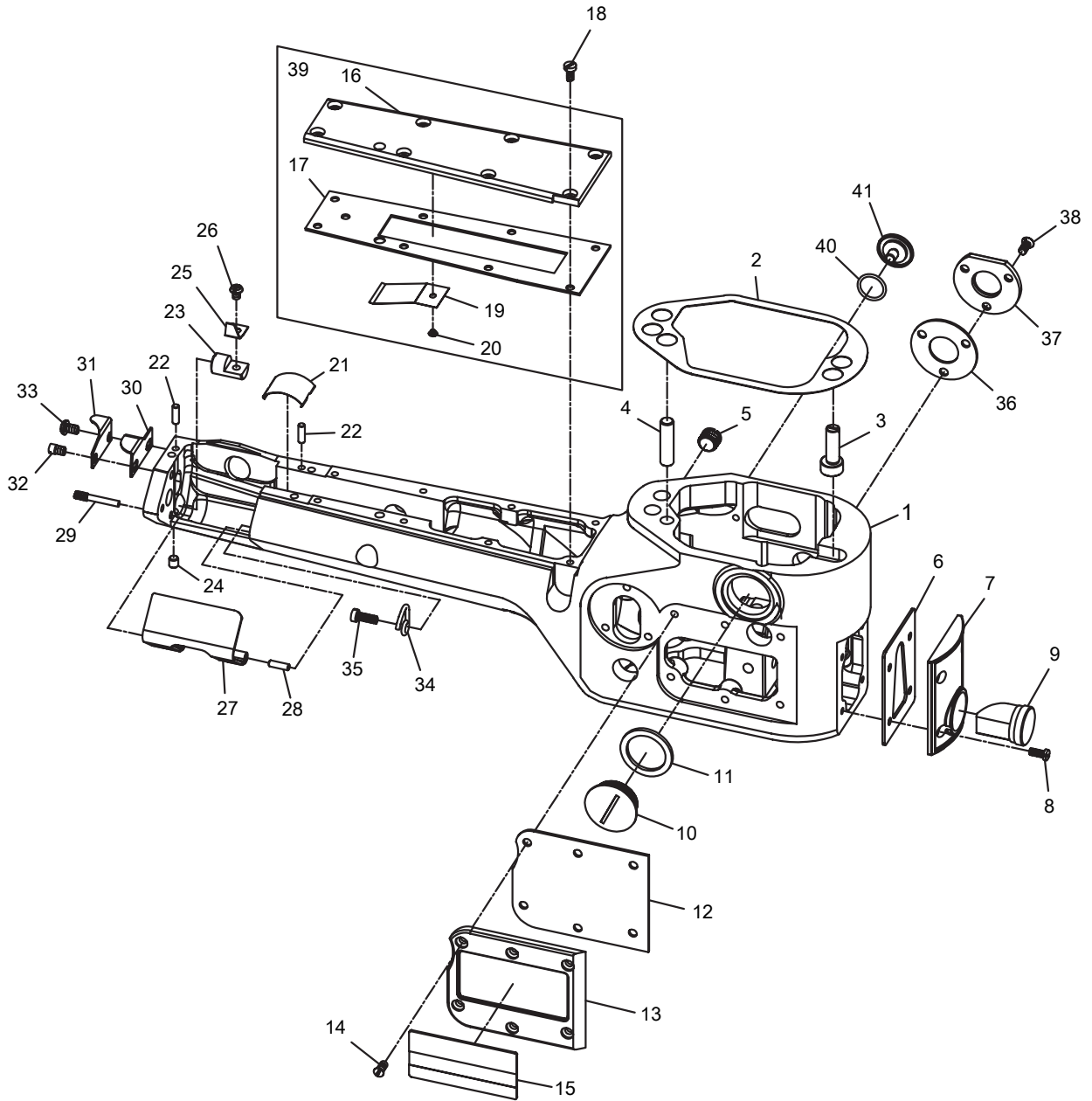
3

4

5

SIRUBA PARTS LIST	Series	Parts Group	Subclass Remark	Page
	D007SX	DA	452(460)-01	1 / 1
				Date
				2021/05/06

A
B
C
D
E



1 2 3 4 5

SIRUBA SEQUENCE LIST	Series	Parts Group	Subclass Remark	Page
	D007SX	DA	452(460)-01	1 / 1
				Date
				2021/05/06

MISCELLANEOUS COVERS (2)
機殼機構(2)

Ref.N	Parts.No	Description	品名	Amt.Req
1	DA0201	Sewing Cylinder	圓筒部機殼	1
2	DA0202	Sewing Cylinder Gasket	止油銅墊片	1
3	DA0203	Alignment Pin	調節插銷	1
4	DA0204	Knock Pin	頂出銷	1
5	DA0205	Screw (3/8-24x5.4)	螺絲	1
6	DA0206	Seal Gasket	止油墊片	1
7	DA0207	Cylinder Frame Cover (Front)	前蓋	1
8	DA0208	Screw (1/8-44x7.7)	螺絲	4
9	DA0209	Oil Gauge	油錶	1
10	DA0210	Screw (M22-1.5x5.7)	螺絲	1
11	DA0211	Gasket	橡膠墊片	1
12	DA0212	Seal Gasket	止油墊片	1
13	DA0213	Cylinder Frame Cover (Left)	左蓋	1
14	DA0137	Screw (9/64-40x8)	螺絲	6
15	DA02015	Model Plate	型號銘牌	1
16	DA0216	Cylinder Frame Cover (Upper)	上蓋	1
17	DA0217	Seal Gasket	止油墊片	1
18	DA0218	Screw (1/8-44x6.5)	螺絲	8
19	DA0219	Dust Defender (Upper)	防塵蓋 (上)	1
20	DA0220	Screw (3/32-56x2.1)	螺絲	1
21	DA0221	Dust Defender (Lower)	防塵蓋 (下)	1
22	DA0222	Pin	插銷	2
23	DA0223	Looper Cover Spring Support	彈簧片座	1
24	DA0224	Screw (11/64-40x4.8)	螺絲	1
25	DA0225	Looper Cover Spring	下勾針蓋彈簧片	1
26	DA0226	Screw (9/64-40x4.7)	螺絲	1
27	DA0227	Looper Cover	下勾針蓋	1
28	DA0228	Pin	插銷	1
29	DA0229	Screw (9/64-40x6.4)	螺絲	1
30	DA0230	Chain-off Cutting Knife	割刀	1
31	DA0231	Chain-off Cutting Knife Guard	割刀固定片	1
32	DA0232	Screw (M4-0.7x4.5)	螺絲	1
33	DA0233	Screw (M4-0.7x5.8)	螺絲	1
34	DA0234	Looper Thread Guide Wire	過線圈	1
35	DA0143	Screw (9/64-40x7.3)	螺絲	1
36	DA0236	Feed Drive Shaft Cover Gasket	止油墊片	1
37	DA0237	Feed Drive Shaft Cover	止油蓋	1
38	DA0151	Screw (9/64-40x5.6)	螺絲	3
39	DA02039	Cylinder Frame Cover (Upper), C. Set	上蓋組	1
40	DA02040	O-ring	O型橡膠環	1
41	DA02041	Screw (3/16-32x6)	螺絲	1

A

B

C

D

E

1

2

3

4

5

SIRUBA SEQUENCE LIST	Series	Parts Group	Subclass / Remark	Page
	D007S/ D007SX	DE		1/1
				Date
				2021/05/06

A

B

C

D

E

Ref.N	Parts.No	Description	品 名	Amt Req
1	DE0801	Looper Driving Crank Pin	下勾針驅動曲柄插銷	1
2	DE0802	Screw (9/64-40x16.5)	螺絲	1
3	DE0803	Roll Pin for Main Shaft	插銷	1
4	DE0804	Looper Lever Driving Rod, C.Set	下勾針驅動桿組	1
5	DE0805	Looper Lever Driving Rod Ball	下勾針驅動桿球	1
6	DH0718	Screw (M3.5-0.6x14)	螺絲	6
7	DE0807	Looper Lever Driving Rod	下勾針驅動桿	1
8	DE0808	Washer	墊片	1
9	DH0719	Nut (Left-handed Screw)	螺帽	2
10	DE0810	Retaining Ring	扣環	2
11	DE0811	Looper Lever Driving Rod Pin	下勾針驅動桿插銷	1
12	DK0340	Screw(1/8-44x4.5)	螺絲	1
13	DE0813	Collar	軸環	2
14	DE0814	Screw (11/64-40x5.8)	螺絲	4
15	DE0815	Looper Lever Shaft	下勾針槓桿軸	1
16	DE0862	O-Ring	O型環	1
17	DE0817	Screw (7/32-32x15)	螺絲	1
18	DE0818	Looper Lever	下勾針槓桿	1
19	DE0819	Looper Driving Connection Rod, C.Set	下勾針驅動連桿組	1
20	DE0820	Looper Driving Connection(Upper)	下勾針驅動連桿(上)	1
21	DE0821	Looper	下勾針	1
22	DH0717	Knife Driving Connection Ball (Right)	上切刀傳動連結球 (右)	1
23	DE0823	Nut	螺帽	1
24	DH0720	Looper Driving Connection Rod	下勾針驅動連桿	1
25	DH0721	Nut	螺帽	1
26	DE0826	Feed Lift Connection (Lower)	送料具提升連桿 (下)	1
27	DE0827	Looper Driving Connection Ball(Lower)	下勾針驅動連桿球(下)	1
28	DE0828	Nut	螺帽	1
29	DE0829	Steady Fork	穩定叉	1
30	DH0711	Screw (M3.5-0.6x7.8)	螺絲	1
31	DE0831	Looper Rocker Shaft	下勾針搖桿軸	1
32	DE0832	Looper Rocker Shaft Sleeve	下勾針搖桿軸套筒	1
33	DE0833	Washer	墊片	1
34	DE0834	Screw (9/64-40x11)	螺絲	1
35	DE0835	Looper Rocker Shaft Sleeve Guide	下勾針搖桿軸套筒導件	1
36	DE0836	Screw (M5-0.8x8)	螺絲	1
37	DE0837	Collar	下勾針搖桿軸環	1
38	DE0838	Screw (11/64-40x13)	螺絲	1
39	DE0839	Looper Holder	下勾針固定座	1
40	DE0840	Screw (11/64-40x8.2)	螺絲	1
41	DE0841	Packing	襯墊	1
42	DE0842	Adjusting Screw (9/64-40x8.2)	調節螺絲	1
43	DE0863	Washer	墊片	1
44	DE0844	Screw (9/64-40x4.9)	螺絲	1
45	DE0845	Needle Guard(Front)	針檔(前)	1
46	DE0846	Screw (29/256-48x3.2)	螺絲	2
47	DE0847	Screw (3/32-56X3)	螺絲	1
48	DE0848	Looper Driving Connection(Upper), C.Set	下勾針驅動連結組(上)	1
49	DE0849	Looper Driving Connection(Lower), C.Set	下勾針驅動連結組(下)	1
50	DE0850	Spacer	墊片	1

1

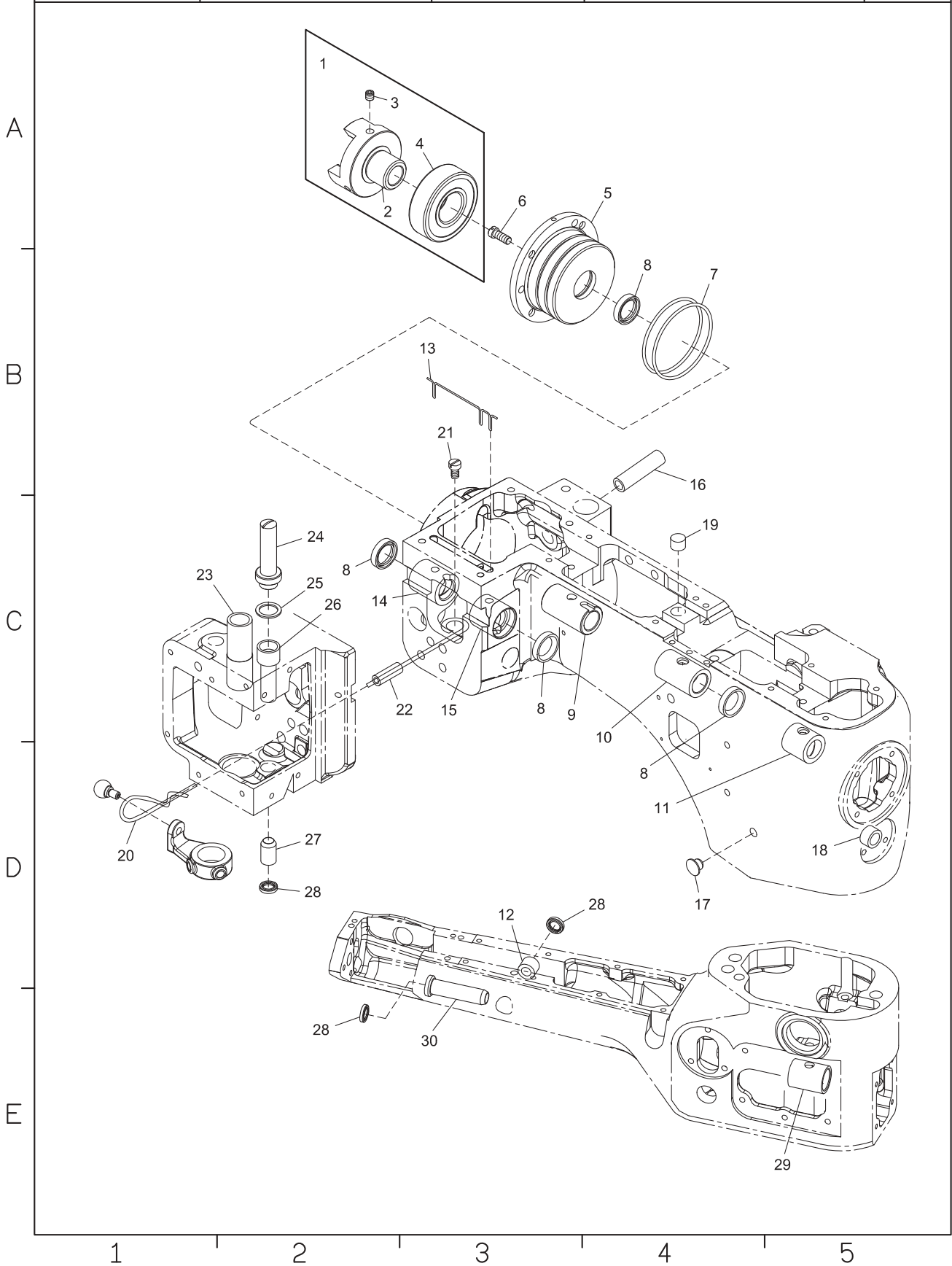
2

3

4

5

SIRUBA PARTS LIST	Series	Parts Group	Subclass / Remark	Page
	D007S/ D007SX	DF		1/2
				Date
				2021/05/06



SIRUBA SEQUENCE LIST	Series	Parts Group	Subclass / Remark	Page
	D007S/ D007SX	DF		1/2
				Date
				2021/05/06

A

B

C

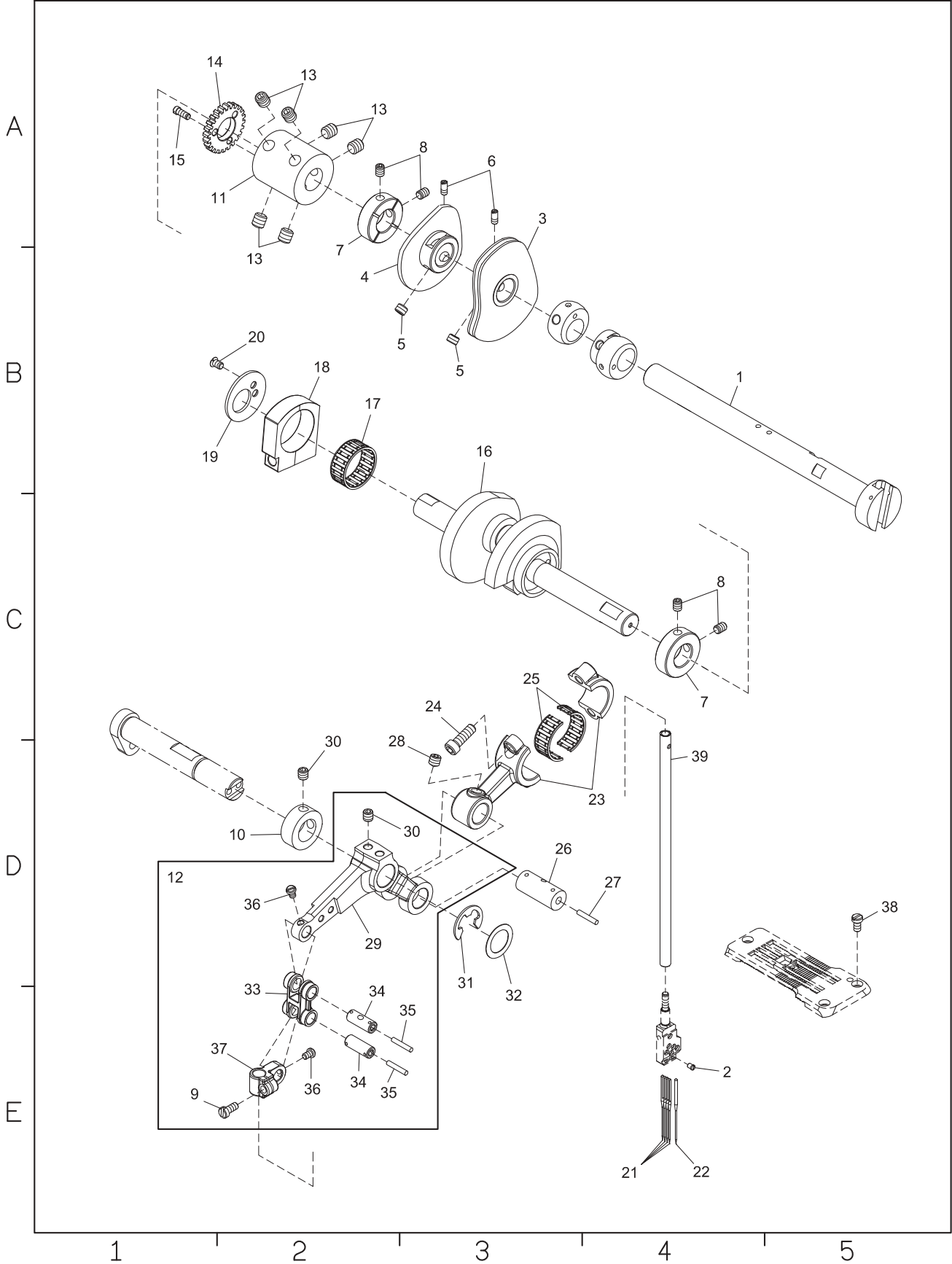
D

E

Ref.N	Parts.No	Description	品名	Amt.Req
1	DF0401	Adapter, C. Set	軸承組	1
2	DF1305	Adapter	軸承軸心	1
3	DF0403	Screw (M5-0.8x5)	螺絲	2
4	DF0404	Ball Bearing	軸承	1
5	DF1303	Bearing Housing	軸承固定室	1
6	DF0406	Screw(3/16-32x11.8)	螺絲	4
7	DF0407	O-Ring	O型環	2
8	DF0408	Oil Seal	油封	4
9	DF0409	Main Shaft Bushing(Rear)	主軸套管(後)	1
10	DF0410	Main Shaft Bushing(Middle)	主軸套管(中)	1
11	DF0411	Main Shaft Bushing(Front))	主軸套管(前)	1
12	DF0432	Feed Bar Eccentric Pin Bushing	送料具偏心銷套管	1
13	DF0413	Oil Wick(Laced Wire))	油芯	1
14	DF0414	Knife Driving Lever Bushing(Rear)	銅套管(後)	1
15	DF0415	Knife Driving Lever Bushing(Front)	銅套管(前)	1
16	DF0416	Presser Foot Lifter Stop Plunger Bushing	撥套	1
17	DF0417	Seal Plug	油塞	1
18	DF0418	Bushing	撥套	1
19	DF0419	Plug	塞頭	1
20	DF0420	Oil Wick	油芯	1
21	DG1009	Screw (11/64-40x8)	螺絲	1
22	DF0422	Plastic Pipe	塑膠管	1
23	DF0423	Presser Bar Bushing	壓腳套管	1
24	DF0424	Needle Bar Bushing(Upper)Lid	針柱套管(上)蓋	1
25	DF0425	Gasket	墊片	1
26	DF0426	Needle Bar Bushing(Upper)	針柱套管(上)	1
27	DF0427	Needle Bar Bushing(Lower)	針柱套管(下)	1
28	DF0428	Oil Seal	油封	3
29	DF0429	Looper Rocker Shaft Bushing(Front)	下勾針搖桿軸套管(前)	1
30	DF0430	Looper Rocker Shaft Bushing(Rear)	下勾針搖桿軸套管(後)	1

1 2 3 4 5

SiRUBA PARTS LIST	Series	Parts Group	Subclass / Remark	Page
	D007S/ D007SX	DF		2/2
				Date
				2021/05/06



SIRUBA SEQUENCE LIST	Series	Parts Group	Subclass / Remark	Page
	D007S/ D007SX	DF		2/2
				Date
				2021/05/06

A

B

C

D

E

Ref.N	Parts.No	Description	品名	Amt.Req
1	DF0501	Main Shaft	主軸	1
2	DF0543	Screw (3/32-56x2.5)	螺絲	5
3	DF0503	Looper Thread Take-Up	底線提線凸輪	1
4	DF0504	Top Cover Thread Take-Up	上飾線提線凸輪	1
5	DF0505	Screw (7/32-32x3.6)	螺絲	4
6	DF0506	Screw (1/8-44x5.3)	螺絲	2
7	DF0507	Collar	軸環	2
8	DF0508	Screw (11/64-40x5.8)	螺絲	4
9	DF0556	Screw (9/64-40x7.9)	螺絲	1
10	DF0548	Collar	軸環	1
11	DF0511	Main Shaft Coupling	主軸連接套	1
12	DF0547	Needle Bar Lever, C. Set	針柱連桿組	1
13	DF0513	Screw (1/4-28x6.4)	螺絲	6
14	DF0514	Pump Driving Gear	泵浦齒輪	1
15	DF0515	Screw (1/8-44x7.5)	螺絲	3
16	DF1307	Crankshaf	曲軸	1
17	DF0517	Needle Bearing	滾針軸承	1
18	DF0518	Thread Carrier and Hook Driving Rod (Right)	驅動刀組連桿軸承套	1
19	DF0519	Needle Bearing Retaining Plate	滾針軸承扣板	1
20	DA0151	Screw (9/64-40x5.6)	螺絲	2
21	DF0541	Needle	擊針	4
22	DF0542	Retainer	假針	1
23	DF0523	Needle Bar Connecting Rod	針柱連桿	1
24	DF0524	Screw (3/16-32x14)	螺絲	2
25	DF0525	Needle Bearing	滾針軸承	1
26	DF0526	Needle Bar Lever Connecting Rod Pin	針柱槓桿連桿插銷	1
27	DF0527	Oil Wick	油芯	1
28	DF0528	Screw (7/32-32x4)	螺絲	1
29	DF0529	Needle Bar Lever	針柱槓桿	1
30	DF0530	Screw (M5-0.8x5)	螺絲	4
31	DF0531	Retaining Ring	C形扣環	1
32	DF0532	Thrust Ring	墊片	1
33	DF0533	Needle Bar Connecting Link	針柱連桿	1
34	DF0534	Needle Bar Connecting Link Pin	針柱連桿插銷	2
35	DF0535	Oil Wick	吸油繩	2
36	DK0340	Screw(1/8-44x4.5)	螺絲	2
37	DF0537	Needle Bar Connecting Bracket	針柱連結架	1
38	DF0538	Screw (9/64-40x6.4)	螺絲	3
39	DF0539	Needle Bar	針柱	1

1

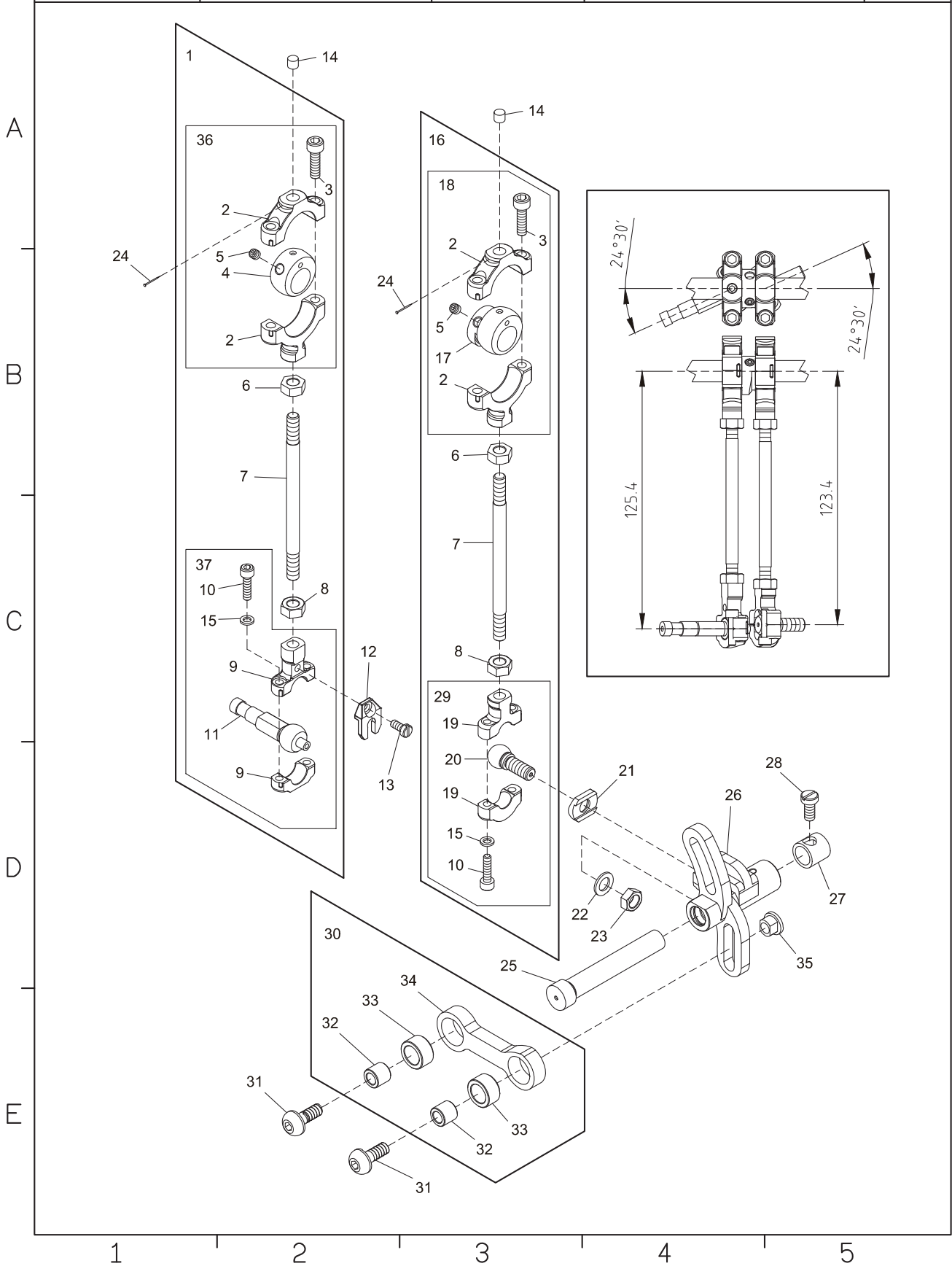
2

3

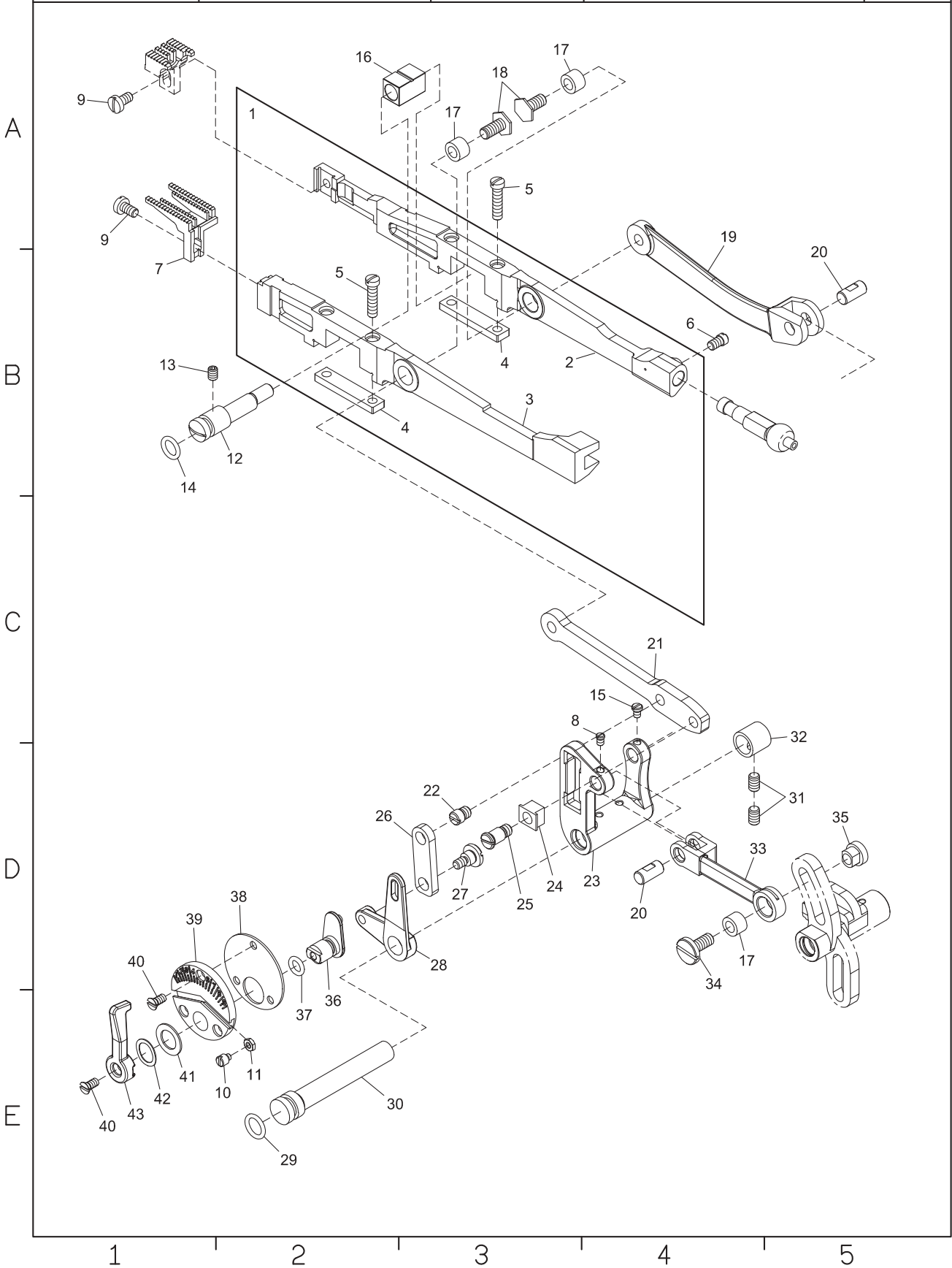
4

5

SIRUBA PARTS LIST	Series	Parts Group	Subclass / Remark	Page
	D007S	DG		1/2
				Date
				2021/05/06



SIRUBA PARTS LIST	Series	Parts Group	Subclass / Remark	Page
	D007S	DG		2/2
				Date
				2021/05/06



SIRUBA SEQUENCE LIST	Series	Parts Group	Subclass / Remark	Page
	D007S	DG		2/2
				Date
				2021/05/06

A

B

C

D

E

Ref.N	Parts.No	Description	品 名	Amt.Req
1	DG1001	Feed Bar, C.Set	送料具固定座組	1
2	DG1002	Main Feed Bar	主送料具固定座	1
3	DG1003	Differential Feed Bar	差動送料具固定座	1
4	DG1004	Feed Bar Plate	送料具固定座片	2
5	DG1005	Screw (11/64-40x18.3)	螺絲	4
6	DG1006	Screw (11/64-40x6.4)	螺絲	1
7	H90001	Differential Feed Dog	差動齒	1
8	DG1046	Screw(1/8-44x4)	螺絲	1
9	DG1009	Screw (11/64-40x8)	螺絲	2
10	DG1044	Screw(M3-0.5x2.8)	螺絲	2
11	DG1045	Nut	螺帽	2
12	DG1012	Feed Bar Eccentric Pin	送料具偏心銷	1
13	DF0508	Screw (11/64-40x5.8)	螺絲	1
14	DG1014	O-ring (P8)	O型橡膠環	1
15	DK0340	Screw(1/8-44x4.5)	螺絲	1
16	DG1016	Feed Bar Slide Block	送料具滑塊	1
17	DG1017	Feed Rocker Link Bushing	送料具搖桿套筒	3
18	DG1018	Screw (7/32-32x6.5)	螺絲	2
19	DG1019	Main Feed Bar Driving Link	主送料具固定座驅動桿	1
20	DG1020	Feed Rocker Link Pin	送料具搖桿插銷	2
21	DG1021	Differential Feed Bar Driving Link	差動送料具驅動桿	1
22	DG1022	Screw (7/32-32x5)	螺絲	1
23	DG1023	Feed Rocker	送料具搖桿	1
24	DG1024	Differential Feed Bar Driving Link Slider	差動送料具調整滑塊	1
25	DG1025	Screw (7/32-32x4.6)	螺絲	1
26	DG1026	Differential Feed Adjusting Link	差動送料具調節桿	1
27	DG1027	Screw (11/64-40x6.6)	螺絲	1
28	DG1028	Differential Feed Adjusting Lever	差動送料具調節槓桿	1
29	DG1029	O-ring (P9)	O型橡膠環	1
30	DG1030	Feed Rocker Shaft	送料具搖桿軸	1
31	DE0836	Screw (M5-0.8x8)	螺絲	2
32	DG0927	Feed Rocker Shaft Bushing	送料具搖桿軸套筒	1
33	DG1033	Feed Rocker Link	送料具搖桿連桿	1
34	DG1034	Screw (7/32-32x10.5)	螺絲	1
35	DG1035	Feed Adjusting Nut	送料具調節螺帽	1
36	DG1036	Differential Feed Adjusting Lever (Middle)	差動送料具調節槓桿 (中)	1
37	DG1037	O-ring (P6)	O型橡膠環	1
38	DG1038	Differential Feed Adjusting Dial Gasket	差動調節標度盤墊片	1
39	DG1039	Differential Feed Adjusting Dial	差動送料具調節標度盤	1
40	DG0214	Screw (9/64-40x7.7)	螺絲	4
41	DG1041	Spacer(Fiber)	墊片 (纖維)	1
42	DG1042	Corrugated Washer	波狀墊片	1
43	DG1043	Differential Feed Operating Lever	差動送料具操作桿	1

1

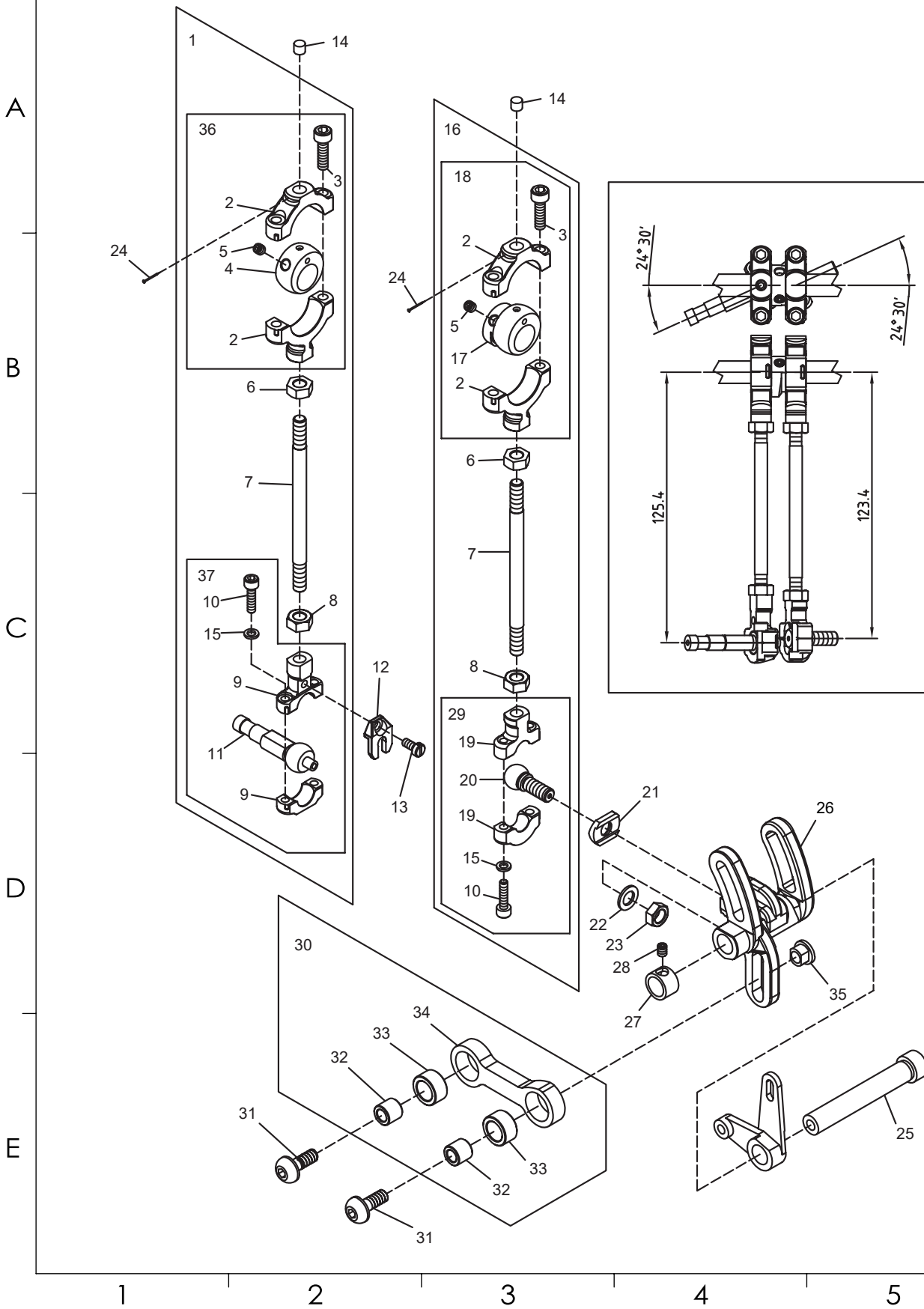
2

3

4

5

SIRUBA PARTS LIST	Series	Parts Group	Subclass Remark	Page
	D007SX	DG		1 / 2
				Date
				2021/05/06



SIRUBA SEQUENCE LIST	Series	Parts Group	Subclass Remark	Page
	D007SX	DG		1 / 2
				Date
				2021/05/06

FEED DEIVING CONTROL MECHANISM
送料具驅動機構

Ref.N	Parts.No	Description	品名	Amt.Req
1	DG0901	Feed Lift Eccentric, C. Set	送料具提升偏心輪組	1
2	DG0902	Feed Lift Connection (Upper)	送料具提升連桿 (上)	2
3	DG0903	Screw (11/64-40x16)	螺絲	4
4	DG0904	Feed Lift Eccentric Ball	送料具提升偏心輪球	1
5	DG0905	Screw (11/64-40x4)	螺絲	4
6	DH0719	Nut (Left-handed Screw)	螺帽	2
7	DG0907	Feed Lift Eccentric Connecting Rod	送料具提升偏心輪連桿	2
8	DH0721	Nut	螺帽	2
9	DE0826	Feed Lift Connection (Lower)	送料具提升連桿 (下)	1
10	DH0718	Screw (M3.5-0.6x14)	螺絲	4
11	DG0911	Feed Lift Connection Ball	送料具提升連桿球	1
12	DE0829	Steady Fork	穩定叉	1
13	DH0711	Screw (M3.5-0.6x7.8)	螺絲	1
14	DG0914	Oil Wick	油芯	2
15	DE0863	Washer	墊片	4
16	DG0916	Feed Drive Eccentric, C. Set	送料具驅動偏心輪組	1
17	DG0917	Feed Drive Eccentric Ball	送料具驅動偏心輪球	1
18	DG0938	Feed Drive Eccentric (Upper), C. Set	送料具提升偏心輪 (上) 組	1
19	DH0723	Feed Drive Connection (Lower)	送料具驅動連桿 (下)	1
20	DG0920	Feed Drive Connection Ball	送料具驅動連桿球	1
21	DG0921	Steady Washer	穩定墊片	1
22	DG0922	Washer	墊片	1
23	DE0828	Nut	螺帽	1
24	DG0924	Pin	固定銷	2
25	DG0925	Feed Drive Shaft	送料具驅動軸	1
26	DG09126	Feed Drive/Looper Avoid Lever	送料具槓桿	1
27	DG09127	Feed Rocker Shaft Bushing	送料具搖桿軸套筒	1
28	DG02026	Screw (M4-0.7x5)	螺絲	1
29	DG0939	Feed Drive Eccentric (Lower), C. Set	送料具提升偏心輪 (下) 組	1
30	DG0930	Looper Avoid Connecting Rod, C. Set	勾針運動連桿組	1
31	DG0931	Screw (7/32-32x10)	螺絲	2
32	DG0932	Looper Avoid Connecting Rod Bushing	連桿軸承襯套	2
33	DG0933	Needle Bearing	軸承	2
34	DG0934	Looper Avoid Connecting Rod	勾針運動連桿	1
35	DG0935	Looper Aviod Adjusting Nut	調整螺帽	1
36	DG0936	Feed Lift Connection (Upper), C. Set	送料具提升連桿 (上) 組	1
37	DG0937	Feed Lift Connection (Lower), C. Set	送料具提升連桿 (下) 組	1

A

B

C

D

E

1

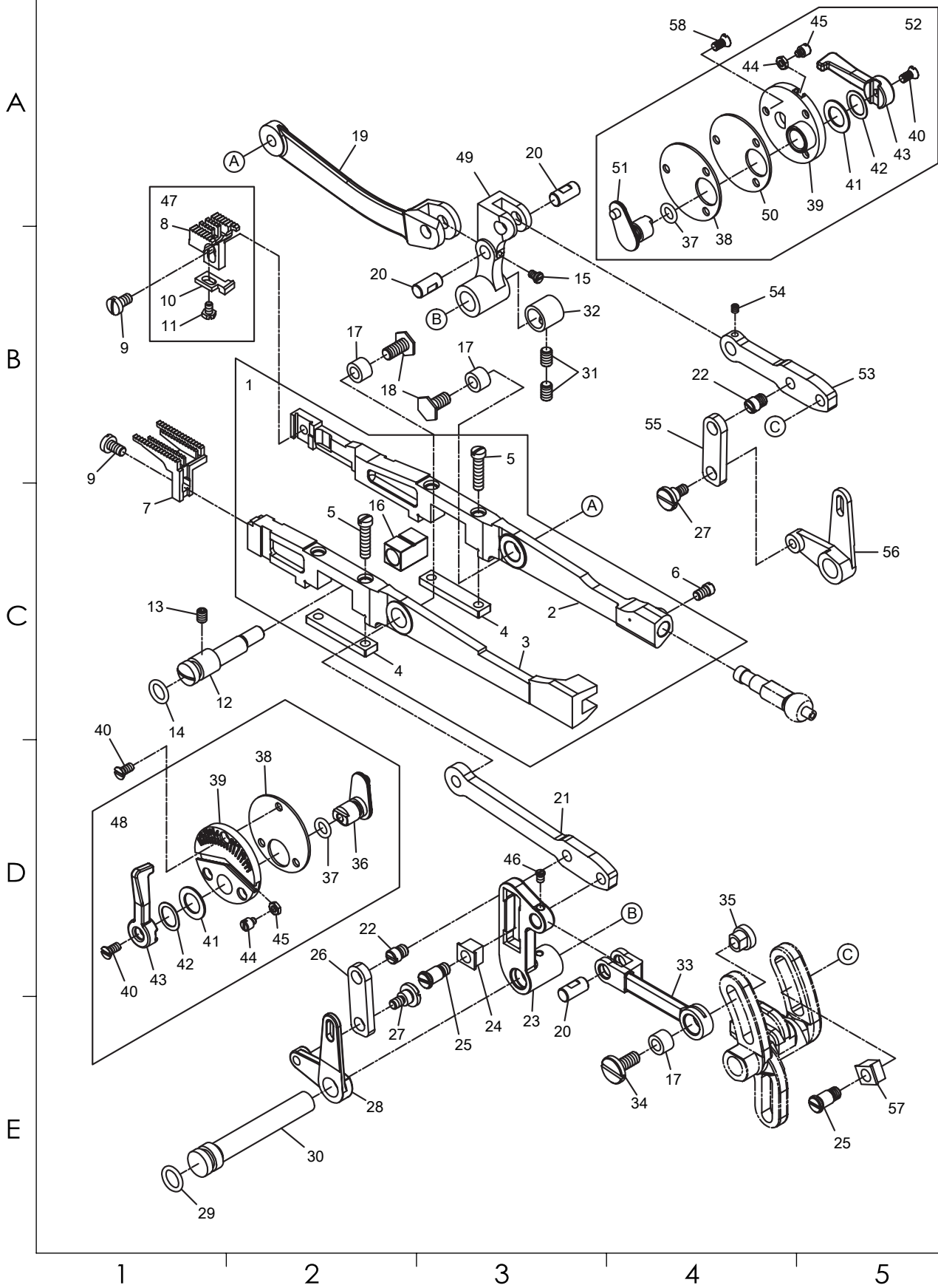
2

3

4

5

SIRUBA PARTS LIST	Series	Parts Group	Subclass Remark	Page
	D007SX	DG		2 / 2
				Date
				2021/05/06



SIRUBA SEQUENCE LIST	Series	Parts Group	Subclass Remark	Page
	D007SX	DG		2 / 2
				Date
				2021/05/06

FEED DEIVING MECHANISM

料具調節機構

Ref.N	Parts.No	Description	品名	Amt.Req
1	DG1001	Feed Bar, C.Set	送料具固定座組	1
2	DG1002	Main Feed Bar	主送料具固定座	1
3	DG1003	Differential Feed Bar	差動送料具固定座	1
4	DG1004	Feed Bar Plate	送料具固定座片	2
5	DG1005	Screw (11/64-40x18.3)	螺絲	4
6	DG1006	Screw (11/64-40x6.4)	螺絲	1
7	H90001	Differential Feed Dog	差動齒	1
8	D90001	Main Feed Dog	主齒	1
9	DG1009	Screw (11/64-40x8)	螺絲	2
10	D90101	Needle Guard (Rear)	頂針片(後)	1
11	DG1011	Screw (1/8-44x4.8)	螺絲	1
12	DG1012	Feed Bar Eccentric Pin	送料具偏心銷	1
13	DF0508	Screw (11/64-40x5.8)	螺絲	1
14	DG1014	O-ring (P8)	O型橡膠環	1
15	DK0340	Screw(1/8-44x4.5)	螺絲	1
16	DG1016	Feed Bar Slide Block	送料具滑塊	1
17	DG1017	Feed Rocker Link Bushing	送料具搖桿套筒	3
18	DG1018	Screw (7/32-32x6.5)	螺絲	2
19	DG1019	Main Feed Bar Driving Link	主送料具固定座驅動桿	1
20	DG1020	Feed Rocker Link Pin	送料具搖桿插銷	3
21	DG1021	Differential Feed Bar Driving Link	差動送料具驅動桿	1
22	DG1022	Screw (7/32-32x5)	螺絲	2
23	DG10123	Feed Rocker	送料具搖桿	1
24	DG1024	Differential Feed Bar Driving Link Slider	差動送料具調整滑塊	1
25	DG1025	Screw (7/32-32x4.6)	螺絲	2
26	DG1026	Differential Feed Adjusting Link	差動送料具調節連桿	1
27	DG1027	Screw (11/64-40x6.6)	螺絲	2
28	DG1028	Differential Feed Adjusting Lever	差動送料具調節槓桿	1
29	DG1029	O-ring (P9)	O型橡膠環	1
30	DG1030	Feed Rocker Shaft	送料具搖桿軸	1
31	DF0836	Screw (M5-0.8x8)	螺絲	2
32	DG0927	Feed Rocker Shaft Bushing	送料具搖桿軸套筒	1
33	DG1033	Feed Rocker Link	送料具搖桿連桿	1
34	DG1034	Screw (7/32-32x10.5)	螺絲	1
35	DG1035	Feed Adjusting Nut	送料具調節螺帽	1
36	DG1036	Differential Feed Adjusting Lever	差動送料具調節槓桿	1
37	DG1037	O-ring (P6)	O型橡膠環	2
38	DG1038	Differential Feed Adjusting Dial Gasket	差動調節標度盤墊片	2
39	DG1039	Differential Feed Adjusting Dial	差動送料具調節標度盤	2
40	DG0214	Screw (9/64-40x7.7)	螺絲	5
41	DG1041	Spacer(Fiber)	墊片(纖維)	2
42	DG1042	Corrugated Washer	波狀墊片	2
43	DG1043	Differential Feed Operating Lever	差動送料具操作桿	2
44	DG1044	Screw(M3-0.5x2.8)	螺絲	4
45	DG1045	Nut	螺帽	4
46	DG1046	Screw(1/8-44x4)	螺絲	1
47	D90001-A	Main Feed Dog, C. Set	主齒組	1
48	DG10048	Differential Feed Adjusting Dial, C. Set	差動送料具調節標度盤組	1
49	DG10049	Feed Rocker	送料具搖桿	1
50	DG10050	Differential Feed Adjusting Dial Gasket	差動調節標度盤墊片	1
51	DG10051	Differential Feed Adjusting Lever	差動送料具調節槓桿	1
52	DG10052	Differential Feed Adjusting Dial, C. Set	差動送料具調節標度盤組	1
53	DG10053	Differential Feed Bar Driving Link	差動送料具驅動桿	1
54	DG01014	Screw (M3-0.5x3)	螺絲	1
55	DG10055	Differential Feed Adjusting Link	差動送料具調節連桿	1
56	DG10056	Differential Feed Adjusting Lever	差動送料具調節槓桿	1
57	DG10057	Differential Feed Bar Driving Link Slider	差動送料具調整滑塊	1
58	DA.0151	Screw (9/64-40x5.6)	螺絲	3

A

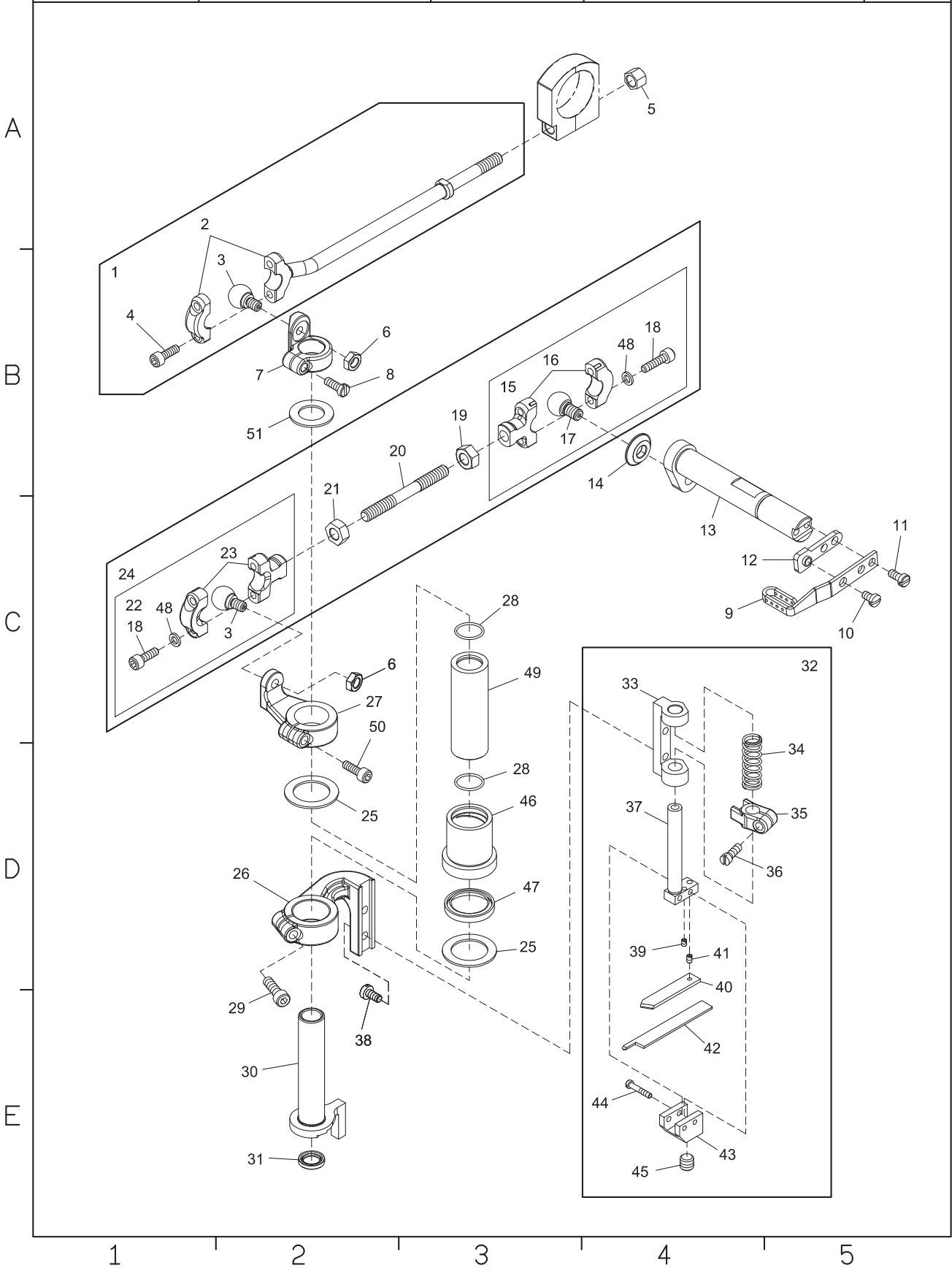
B

C

D

E

SIRUBA PARTS LIST	Series	Parts Group	Subclass / Remark	Page
	D007S/ D007SX	DH	452-01(02) 460-01(02)	1/2
				Date
				2021/05/06



SIRUBA SEQUENCE LIST	Series	Parts Group	Subclass / Remark	Page
	D007S/ D007SX	DH	452-01(02) 460-01(02)	1/2
				Date
				2021/05/06

A

B

C

D

E

Ref.N	Parts.No	Description	品名	Amt.Req
1	DH0701	Carrier/Hook Driving Rod (Left), C. Set	上飾線連桿組	1
2	DH0702	Carrier Hook Driving Rod (Left)	上飾線連桿	1
3	DH0703	Rod Ball (Left)	球頭	2
4	DH0704	Screw (9/64-40x10)	螺絲	2
5	DH0705	Nut	螺帽	1
6	DH0706	Nut	螺帽	2
7	DH0816	Carrier Hook Sleeve Lever	上飾線連桿套筒	1
8	DA0235	Screw (9/64-40x10)	螺絲	1
9	DH0709	Needle Thread Take-up	針線搖臂過線孔	1
10	DH0710	Screw (M3.5-0.6x6)	螺絲	1
11	DH0711	Screw (M3.5-0.6x7.8)	螺絲	2
12	DH0712	Bracket	固定片	1
13	DH0713	Knife Driving Lever	上切刀傳動槓桿	1
14	DH0714	Steady Washer	穩定墊片	1
15	DH0715	Knife Driving Connection (Right), C. Set	上切刀傳動連結桿 (右) 組	1
16	DH0716	Knife Driving Connection (Right)	上切刀傳動連結桿 (右)	1
17	DH0717	Knife Driving Connection Ball (Right)	上切刀傳動連結球 (右)	1
18	DH0718	Screw (M3.5-0.6x14)	螺絲	4
19	DH0719	Nut (Left-handed Screw)	螺帽	1
20	DH0720	Looper Driving Connection Rod	下勾針驅動連結桿	1
21	DH0721	Nut	螺帽	1
22	DH0722	Knife Driving Connection (Left), C. Set	上切刀傳動連結桿 (左) 組	1
23	DH0723	Feed Drive Connection (Lower)	送料具驅動連桿 (下)	1
24	DH0724	Knife Driving Connection , C. Set	上切刀傳動連結桿組	1
25	DH0825	Bushing Ring	襯套墊片	2
26	DH0726	Knife Holder Bracket	上切刀固定座托架	1
27	DH0814	Knife Holder Bracket Arm	上切刀托架擺臂	1
28	DH0728	Oil Seal	止油圈	2
29	DJ1427	Screw (M4-0.7x12)	螺絲	1
30	DH0730	Carrier/Hook Driving Sleeve	上飾線連桿柱	1
31	DH0731	Oil Seal	油封	1
32	DH0732	Knife Holder Guide Collar, C. Set	活動刀組	1
33	DH0733	Knife Holder Shank Support	上切刀固定座支架	1
34	DH0734	Knife Holder Spring	上切刀固定座彈簧	1
35	DH0735	Knife Holder Guide Collar	上切刀彈簧固定座	1
36	DH0736	Screw (9/64-40x10.4)	螺絲	1
37	DH0737	Knife Holder Shank	上切刀固定座柄	1
38	DA0143	Screw (9/64-40x7.3)	螺絲	2
39	DH0739	Screw (3/32-56x3.8)	螺絲	1
40	DH0740	Knife Support	上切刀支架	1
41	DH0741	Screw (3/32-56x1.2)	螺絲	1
42	P90701	Upper Knife	上切刀片	1
43	DH0743	Knife Holder	上切刀固定座	1
44	DH0744	Screw (3/32-56x7)	螺絲	2
45	DH0745	Screw (1/4-40x6)	螺絲	1
46	DH0821	Thread Carrier and Hook Sleeve Bushing	切刀固定座托架襯套	1
47	DH0823	Oil Seal	油封	1
48	DE0863	Washer	墊片	4
49	DH0749	Knife Driving Shaft	上切刀傳動軸	1
50	DE0838	Screw (11/64-40x13)	螺絲	1
51	DH0751	Bushing Ring	襯套墊片	1

1

2

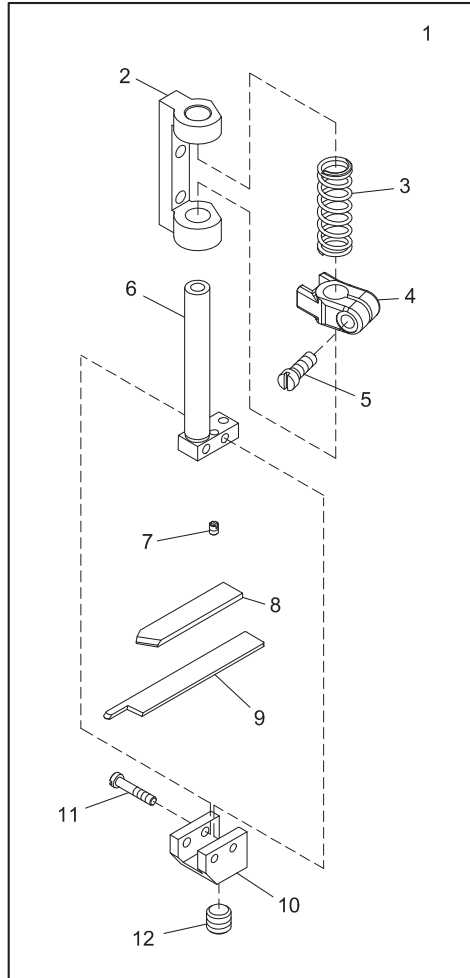
3

4

5

SIRUBA PARTS LIST	Series	Parts Group	Subclass / Remark	Page
	D007S/ D007SX	DH	452(460)-02H	2/2
				Date
				2021/05/06

A
B
C
D
E



1 2 3 4 5

SIRUBA SEQUENCE LIST	Series	Parts Group	Subclass / Remark	Page
	D007S/ D007SX	DH	452(460)-02H	2/2
				Date
				2021/05/06

Ref.N	Parts.No	Description	品 名	Amt.Req
1	DH2101	Knife Holder Guide Collar, C. Set	活動刀組	1
2	DH0733	Knife Holder Shank Support	上切刀固定座支架	1
3	DH0734	Knife Holder Spring	上切刀固定座彈簧	1
4	DH0735	Knife Holder Guide Collar	上切刀彈簧固定座	1
5	DH0736	Screw (9/64-40x10.4)	螺絲	1
6	DH2106	Knife Holder Shank	上切刀固定座柄	1
7	DH0739	Screw (3/32-56x3.8)	螺絲	1
8	DH2108	Knife Support	上切刀支架	1
9	DH2109	Knife Support	上切刀支架	1
10	DH2110	Knife Holder	上切刀固定座	1
11	DH2111	Screw (3/32-56x7)	螺絲	2
12	DH0745	Screw (1/4-40x6)	螺絲	1

A

B

C

D

E

1

2

3

4

5

SIRUBA SEQUENCE LIST	Series	Parts Group	Subclass / Remark	Page
	D007S/ D007SX	DJ		1/1
				Date
				2021/05/06

A

B

C

D

E

Ref.N	Parts.No	Description	品 名	Amt.Req
1	DJ0601	Adjusting Screw (M12-1x17)	調節螺絲	1
2	DJ0602	Lock Nut	保險螺帽	1
3	DJ0603	Presser Spring	壓腳彈簧	1
4	DJ0604	Presser Bar Connecting Bracket	壓腳推桿連結架	1
5	DA0103	Screw (11/64-40x10)	螺絲	1
6	DJ0606	Presser Foot Adjusting Screw	壓腳調節螺絲	1
7	DJ0607	Pin	插銷	1
8	DJ0608	Connecting Bracket Cushion	連結架襯墊	1
9	DJ0609	Presser Bar Guide	壓腳導件	1
10	DJ0610	Lock Nut	保險螺帽	1
11	DJ0611	Adjusting Nut	調節螺帽	1
12	DJ0612	Screw (M6-1x8)	螺絲	1
13	DJ0613	Presser Bar	壓腳推桿	1
14	DJ0643	Presser Foot Guide (Right)	壓腳導件 (右)	1
15	DJ0644	Screw (M5-0.8x11.7)	螺絲	1
16	DJ0747	Presser Foot Guide (Left)	壓腳導件 (左)	1
17	DJ0646	Screw (M5-0.8x14)	螺絲	1
18	DJ1427	Screw (M4-0.7x12)	螺絲	1
19	DJ0650	Screw (3/16-32x4)	螺絲	2
20	DJ0651	Presser Bar Lifter Lever (Large)	壓腳升降槓桿 (大)	1
21	DJ0652	Screw (7/32-32x11.8)	螺絲	1
22	DJ0653	Stop Plunger Segment Pin	插銷	1
23	DF0403	Screw (M5-0.8x5)	螺絲	1
24	DJ0655	Stop Plunger Segment	插銷套	1
25	DJ0656	Nut	螺帽	1
26	DJ0657	Presser Foot Lifter Stop Plunger	壓具抬起停車柱	1
27	DJ0658	Presser Foot Lifter Lever Link (Long)	壓腳升降槓桿連桿 (長)	1
28	DJ0659	Screw (9/64-40x6.1)	螺絲	2
29	DJ0660	Presser Foot Lifter Lever Link (Short)	壓腳升降槓桿連桿 (短)	1
30	DJ0661	Presser Bar Lifter Lever (Small)	壓腳升降槓桿 (小)	1
31	DJ0662	Screw (7/32-32x6)	螺絲	1
32	DJ0663	Presser Bar Lifter Lever	壓腳拉桿	1

1

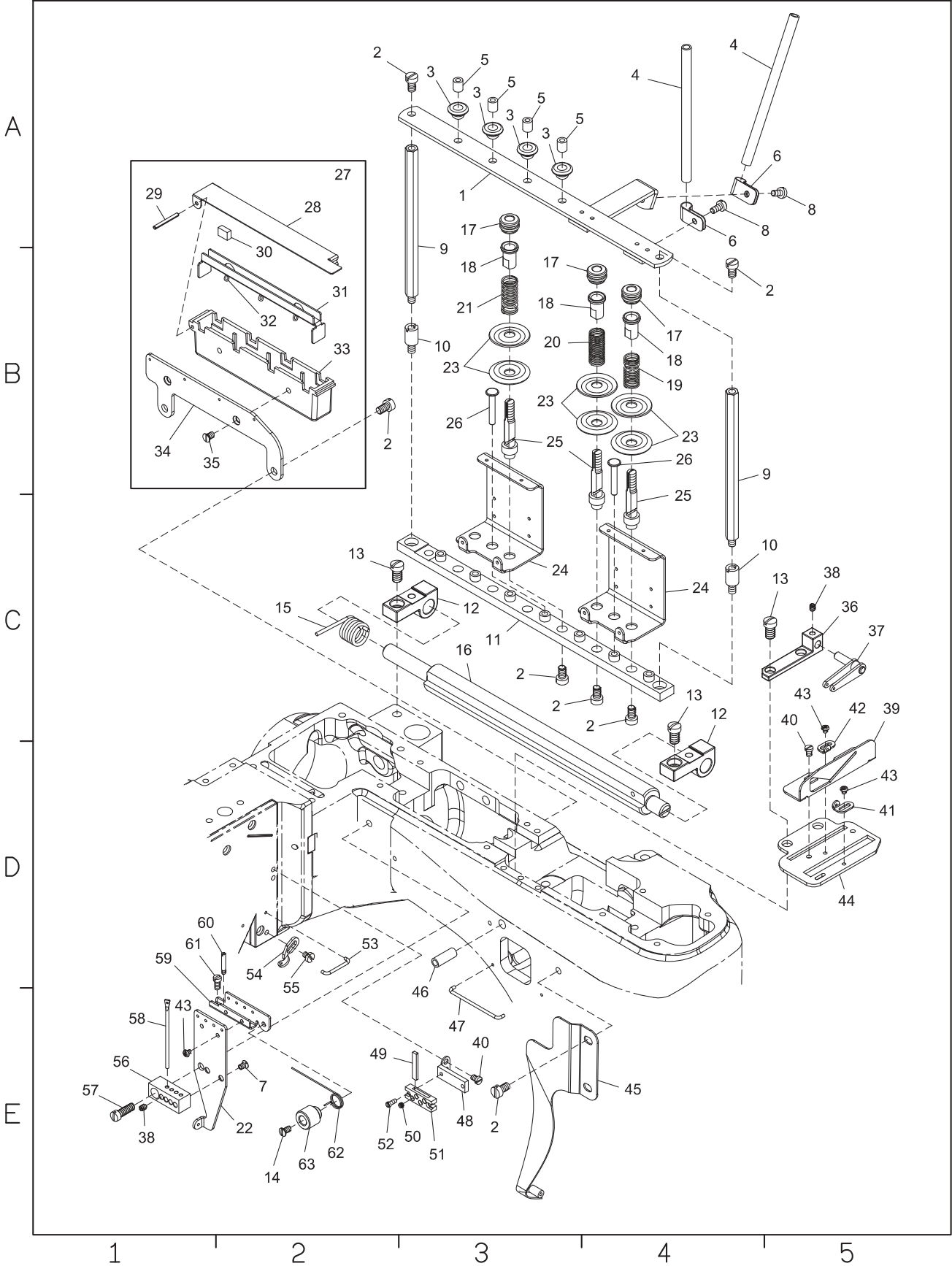
2

3

4

5

SIRUBA PARTS LIST	Series	Parts Group	Subclass / Remark	Page
	D007S/ D007SX	DK		1 / 2
				Date
				2021/05/06



SIRUBA SEQUENCE LIST	Series	Parts Group	Subclass / Remark	Page
	D007S/ D007SX	DK		1 / 3
				Date
				2021/05/06

A

B

C

D

E

Ref.N	Parts.No	Description	品名	Amt.Req
1	DK0401	Thread Guide Plate	線架板	1
2	DG1009	Screw (11/64-40x8)	螺絲	12
3	DK0403	Thread Eyelet Bushing	過線孔套	4
4	DK0304	Thread Pipe (Long)	過線管	2
5	DK0404	Thread Eyelet	過線孔	4
6	DK0406	Thread Pipe Stay	管束	2
7	DK0367	Screw (1/8-44x4.4)	螺絲	2
8	DA0143	Screw (9/64-40x7.3)	螺絲	2
9	DK0309	Thread Guide Plate Support	線架板支撐棒	2
10	DK0310	Screw (11/64-40x7)	螺絲	2
11	DK0311	Thread Tension Support	上線張力固定座	1
12	DK0312	Thread Tension Support Bracket	上線張力固定座支架	2
13	DK0313	Screw (7/32-32x9.3)	螺絲	4
14	DK0366	Screw (1/8-44x5.4)	螺絲	1
15	DK0315	Tension Release Shaft Spring	張力釋放軸彈簧	1
16	DK0416	Tension Release Shaft	張力釋放軸	1
17	DK0317	Nut	彈簧調整鈕	6
18	DK0318	Tension Spring Bushing	張力彈簧調整固定軸	6
19	DK0319	Looper Thread Tension Spring	下勾針張力彈簧	1
20	DK0320	Top Cover Thread Tension Spring	上飾線張力彈簧	1
21	DK0321	Needle Thread Tension Spring	針線張力彈簧	4
22	DK0364	Needle Bracket	過線支撐架	1
23	DK0323	Thread Tension Disc	張力調整盤	12
24	DK0324	Thread Tension Disc Eyelet	張力調整過線架	3
25	DK0325	Tension Post (Short)	張力彈簧支柱(短)	6
26	DK0326	Tension Release Pin	張力釋放插銷	7
27	DK0327	SPDevice, C. Set	針線吸油組	1
28	DK0328	Oil Cup Lip	矽油儲存槽蓋	1
29	DK0329	Hinge Pin	鉸鏈插銷	1
30	DK0330	SP Felt	SP吸油氈	4
31	DK0331	SP Felt Stay	SP吸油氈支柱	1
32	DK0332	Oil Wick	油芯	1
33	DK0333	SP Container	矽油儲存槽	1
34	DK0334	SP Container Support	矽油儲存槽固定座	1
35	DA0151	Screw (9/64-40x5.6)	螺絲	2
36	DK0336	Thread Take-up Eyelet Holder	提線桿託架	1
37	DK0337	Thread Take-up Eyelet	提線桿	1
38	DK0338	Screw (1/8-44x4)	螺絲	5
39	DK0339	Looper Thread Take-up Guide	下勾針提線桿護架	1
40	DK0340	Screw(1/8-44x4.5)	螺絲	4
41	DK0341	Looper Thread Take-up Eyelet (Front)	下勾針提線桿(前)	1
42	DK0342	Looper Thread Take-up Eyelet (Rear)	下勾針提線桿(後)	1
43	DK0343	Screw (3/32-56x3)	螺絲	4
44	DK0344	Eyelet Supporting Plate	提線桿固定板	1
45	DK0345	Looper Thread Guard	下勾針線導架	1
46	DK0346	Top Cover Thread Pipe	上飾線過線導管	1
47	DK0347	Looper Thread Guide Wire (Upper)	下勾針線導架金屬線	1

1

2

3

4

5

SIRUBA SEQUENCE LIST	Series	Parts Group	Subclass / Remark	Page
	D007S/ D007SX	DK		2 / 3
				Date
				2021/05/06

Ref.N	Parts.No	Description	品 名	Amt.Req
48	DK0348	Needle Thread Strike-off Pin Holder Plate	過線張力固定板	1
49	DK0349	Needle Thread Strike-off Pin	過線張力調整片	4
50	DK0350	Screw (1/8-44x2)	螺絲	4
51	DK0351	Needle Thread Strike-off Pin Holder Bracket	過線張力固定架	1
52	DK0352	Screw (3/32-56x5.7)	螺絲	2
53	DK0353	Needle Thread Guide Wire	針線導架金屬線	1
54	DK0354	Head Cover Thread Eyelet	上飾線過線片	1
55	DK0355	Screw (1/8-44x4)	螺絲	1
56	DK0356	Needle Thread Eyelet Holder	針線張力調整桿座	1
57	DK0357	Screw (11/64-40x13)	螺絲	1
58	DK0358	Needle Thread Eyelet	針線張力調整桿	4
59	DK0359	Stitch Unlocker Mounting Bracket	跳線彈簧架	1
60	DK0360	Screw (3/32-56x3)	螺絲	1
61	DK0361	Screw (1/8-44x6.4)	螺絲	1
62	DK0362	Stitch Unlocking Spring	跳線彈簧	1
63	DK0363	Stitch Unlocking Spring Holder	跳線彈簧調整固定鈕	1

A

B

C

D

E

1

2

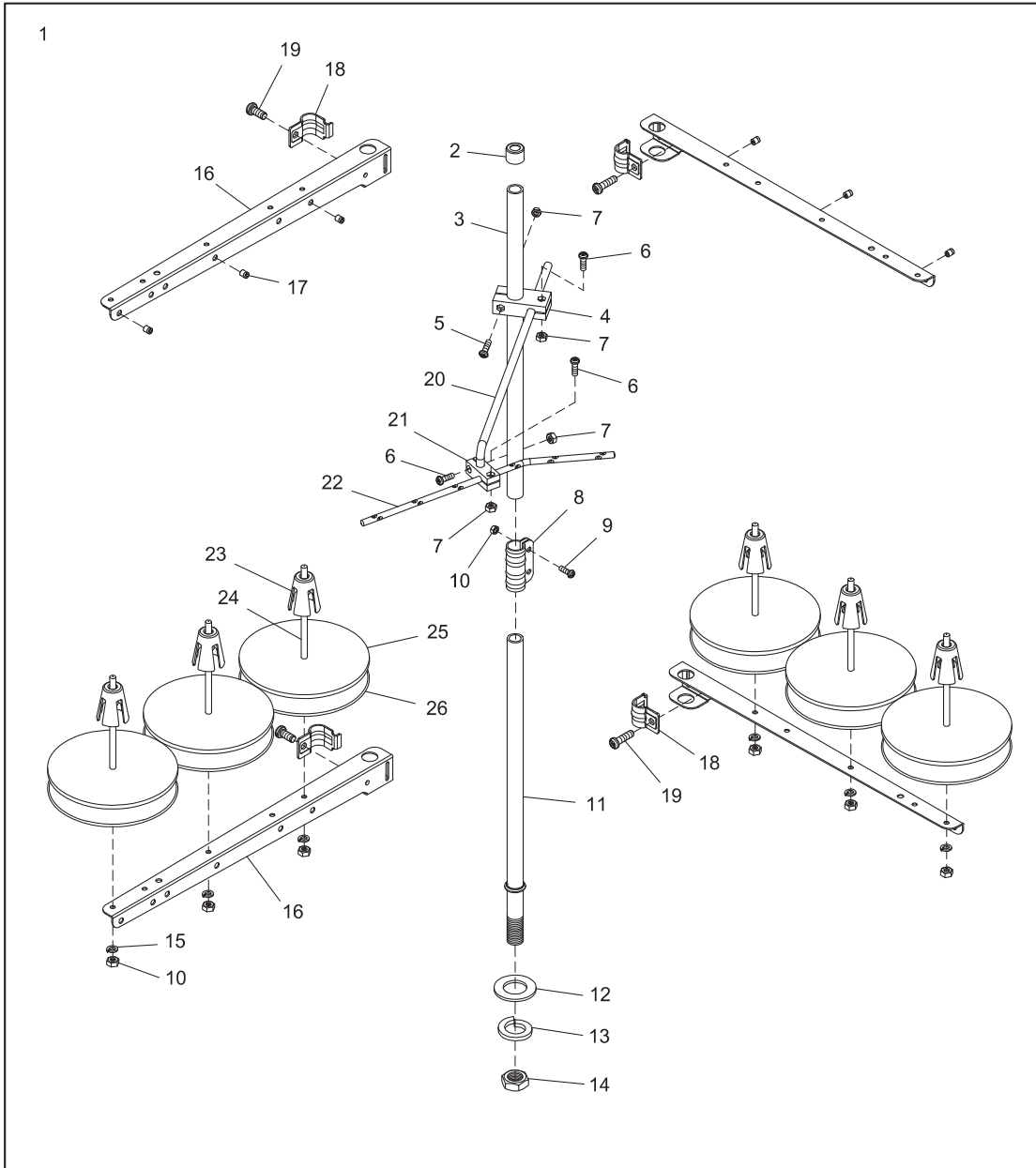
3

4

5

SIRUBA PARTS LIST	Series	Parts Group	Subclass / Remark	Page
	D007S/ D007SX	DK		2 / 2
				Date
				2021/05/06

A
B
C
D
E



1 2 3 4 5

SIRUBA SEQUENCE LIST	Series	Parts Group	Subclass / Remark	Page
	D007S/ D007SX	DK		3 / 3
				Date
				2021/05/06

A

B

C

D

E

Ref.N	Parts.No	Description	品 名	Amt.Req
1	DK1601	Thread Stand, C. Set(6 Spools Type)	線架(六線用)	1
2	DK1602	Column Cap	柱頭蓋	1
3	DK1603	Column Pipe(Upper)	上線柱	1
4	DK1604	Thread Guide Holder(Large)	過線桿固定座(大)	1
5	DK1605	Screw(M4-0.7×20)	螺絲	1
6	DK1606	Screw(M4-0.7×12)	螺絲	3
7	DK1607	Nut	螺帽	4
8	DK1608	Column Pipe Connector	線柱接頭	1
9	DK1609	Screw(M5-0.8×13)	螺絲	2
10	DK1610	Nut	螺帽	8
11	DK1611	Column Pipe(Lower)	下線柱	1
12	DK1612	Washer	墊片	1
13	DK1613	Spring Washer	彈簧墊片	1
14	DK1614	Nut	螺帽	1
15	DK1615	Spring Washer	彈簧墊片	6
16	DK1616	Thread Hanger(3 Spools Type)	3孔過線吊臂	4
17	DK1617	Thread Eyelet	過線孔	6
18	DK1618	Thread Hanger Holder	過線吊臂固定座	4
19	DK1619	Screw(M6-1×15)	螺絲	4
20	DK1620	Thread Guide Arm	過線桿連接臂	1
21	DK1621	Thread Guide Holder(Small)	過線固定座(小)	1
22	DK1622	Thread Guide(6 Spools Type)	6孔過線孔	1
23	DK1623	Spool Cushion	線軸避震座	6
24	DK1624	Spool Pin	線軸柱	6
25	DK1625	Spool Mat	線軸墊	6
26	DK1626	Spool Seat Disc	線軸底盤	6

1

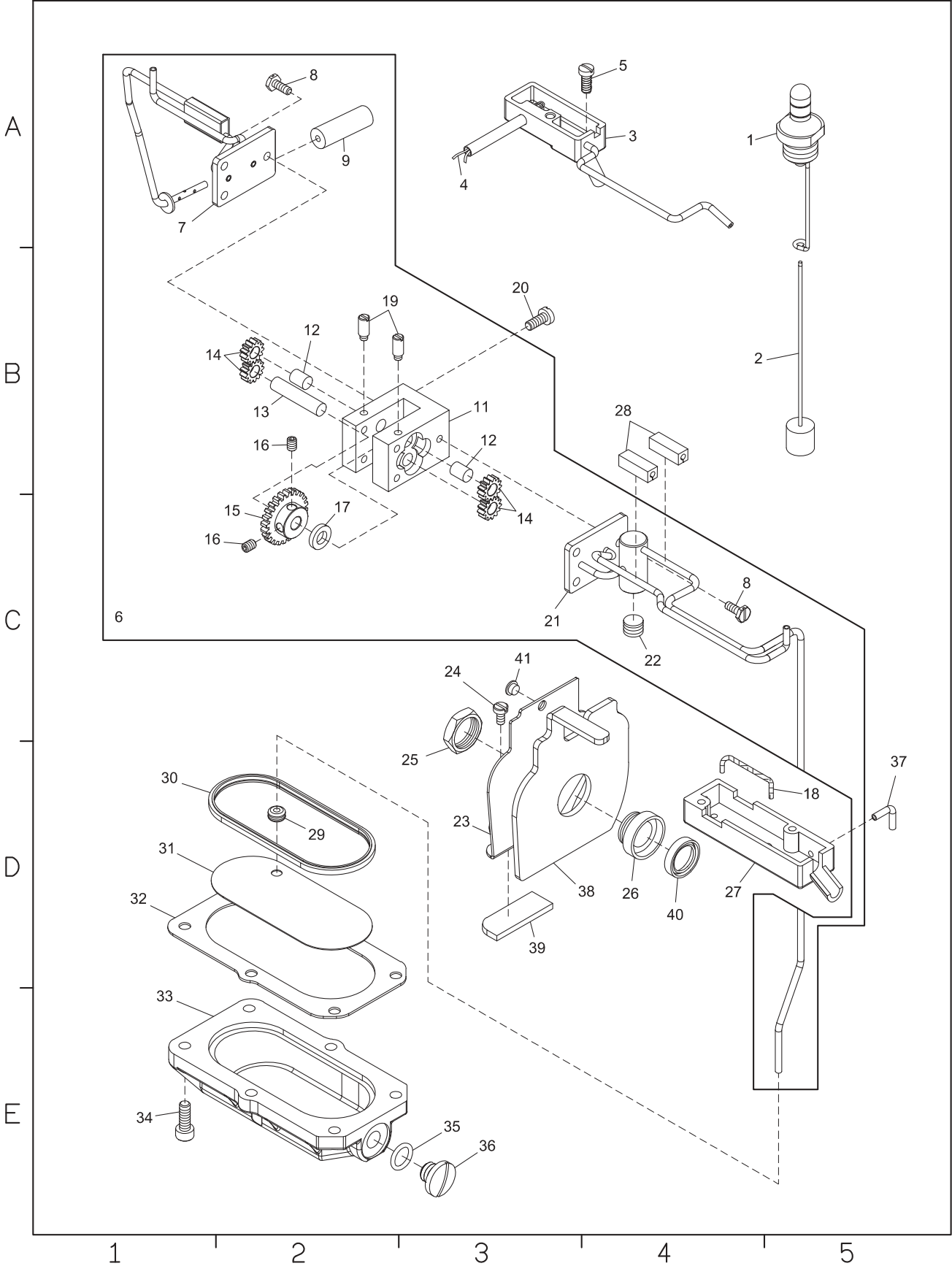
2

3

4

5

SiRUBA PARTS LIST	Series	Parts Group	Subclass / Remark	Page
	D007S/ D007SX	DL		1/1
				Date
				2021/05/06



SIRUBA SEQUENCE LIST	Series	Parts Group	Subclass / Remark	Page
	D007S/ D007SX	DL		1/1
				Date
				2021/05/06

A

B

C

D

E

Ref.N	Parts.No	Description	品 名	Amt.Req
1	DL1101	Crank Chamber Oil Gauge Unit	油錶	1
2	DL1102	Oil Height Indicator	油量指示棒	1
3	DL1103	Oil Receiver (Rear)	油量接收器 (後)	1
4	DL1104	Oil Wick	油芯	1
5	DA0103	Screw (11/64-40x10)	螺絲	1
6	DL1106	Pump, C. Set	油泵組	1
7	DL1107	Pump Housing Cover (Rear) Unit	吸油管組 (後)	1
8	DL1108	Screw (9/64-40x9.7)	螺絲	6
9	DL1109	In-take Filter	吸油氈	1
10	DL0220	Seal Plug(Ø4.9×4.3)	止油膠塞	1
11	DL1111	Pump Housing	油泵室	1
12	DL1112	Pump Gear Shaft (Short)	油泵齒輪 (短)	2
13	DL1113	Pump Gear Shaft (Long)	油泵齒輪 (長)	1
14	DL1114	Oil Pump Gear	油泵齒輪	4
15	DL1115	Pump Driven Gear	油泵驅動齒輪	1
16	DF0508	Screw (11/64-40x5.8)	螺絲	2
17	DF0428	Oil Seal	油封	1
18	DL1118	Oil Wick	油蕊	1
19	DL1119	Screw (9/64-40x3)	螺絲	2
20	DL1120	Screw (11/64-40x10)	螺絲	2
21	DL1121	Pump Housing Cover (Front) Unit	吸油管組 (前)	1
22	DL1122	Screw (M10-1.5x6.1)	螺絲	1
23	DL1123	Thread Take-up Oil Defender Unit	防油板	1
24	DA0143	Screw (9/64-40x7.3)	螺絲	1
25	DL1125	Nut	螺帽	1
26	DL1126	Screw	螺絲	1
27	DL1127	Oil Receiver (Front)	油量接收器 (前)	1
28	DL1142	Oil Tube Support	防油套	2
29	DL1129	Rubber Bushing	橡膠套筒	1
30	DL1130	Oil Filter Screen Rubber Seal	過濾油網橡膠油封	1
31	DL1131	Oil Filter Screen	過濾油網	1
32	DL1132	Oil Reservoir Gasket	油槽防油墊	1
33	DL1133	Oil Reservoir	油槽	1
34	DJ0646	Screw (M5-0.8x14)	螺絲	6
35	DA0105	O-ring (P10)	O型橡膠環	1
36	DA0129	Drain Hole Screw (3/8-24x8)	止油螺絲	1
37	DL1137	Copper Tube	銅管	1
38	DL1138	Thread Take-up Oil Defender Unit	防油板氈	1
39	DL1139	Thread Take-up Oil Defender Unit	防油板氈	1
40	DF0408	Oil Seal	油封	1

1

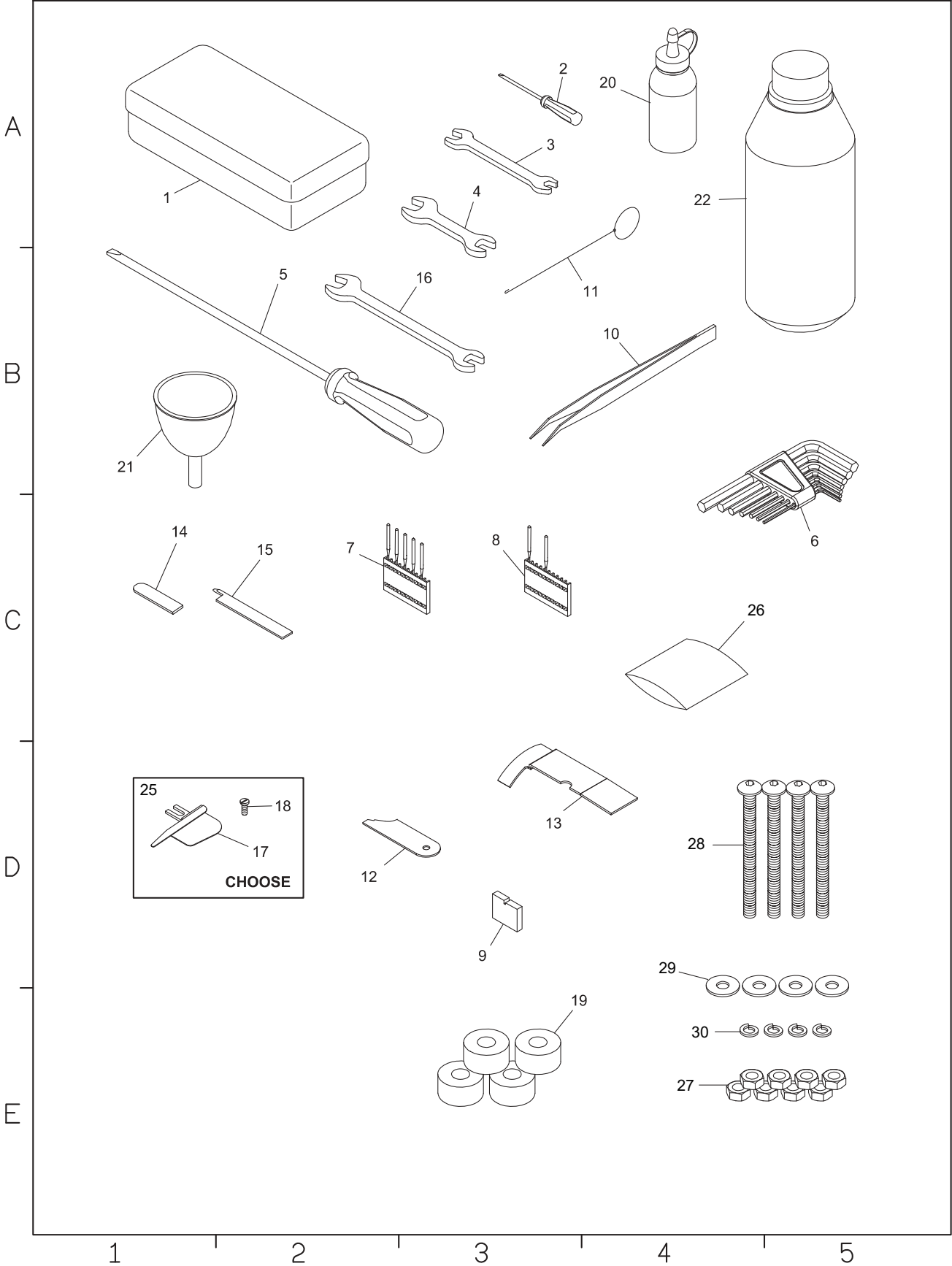
2

3

4

5

SiRUBA PARTS LIST	Series	Parts Group	Subclass / Remark	Page
	D007S/ D007SX	DY		1/1
				Date
				2021/05/06



SIRUBA SEQUENCE LIST	Series	Parts Group	Subclass / Remark	Page
	D007S/ D007SX	DY		1/1
				Date
				2021/05/06

A

B

C

D

E

Ref.N	Parts.No	Description	品 名	Amt.Req
1	DY1501	Attachment Box	附件盒	1
2	DY1502	Screwdriver	螺絲起子	1
3	DY1503	Wrench (5.5mm-7mm)	板手 (5.5mm-7mm)	1
4	DY1504	Wrench (8mm-10mm)	板手 (8mm-10mm)	1
5	DY1505	Screwdriver	螺絲起子	1
6	DY1506	Hexagonal Wrench, C. Set	六角板手組	1
7	DF0541	Needle	擊針	5
8	DF0542	Retainer	假針	2
9	DY2506	Height Rule	高度定規	1
10	DY1510	Thread Tweezers	穿線夾	1
11	DY1511	Threading Wire	穿線鐵絲	1
12	DY2505	Distance Rule	退距定規	1
13	DY2508	Parallel Rule	平行定規	1
14	P90401	Lower Knife	下切刀	1
15	P90701	Upper Knife	上切刀片	1
16	DY1516	Wrench (8mm-10mm)	板手 (8mm-10mm)	1
17	DY1517	Folder	導布器	1
18	DY1518	Screw (1/8-44x13)	螺絲	1
19	DY2538	Supporting Block Rubber Cushion	避震膠墊	4
20	DY1520	Oiler	油壺	1
21	DY1521	Funnel	漏斗	1
22	DY1522	Oil	潤滑油	1
25	DY1525	Folder , C. Set	導布器組	1
26	DY1526	Drier	乾燥劑	1
27	DY1527	Nut	螺帽	8
28	DY1528	Screw (M8-1.25x100)	螺絲	4
29	DY1529	Washer	墊片	4
30	DY1530	Spring Washer	彈簧墊片	4

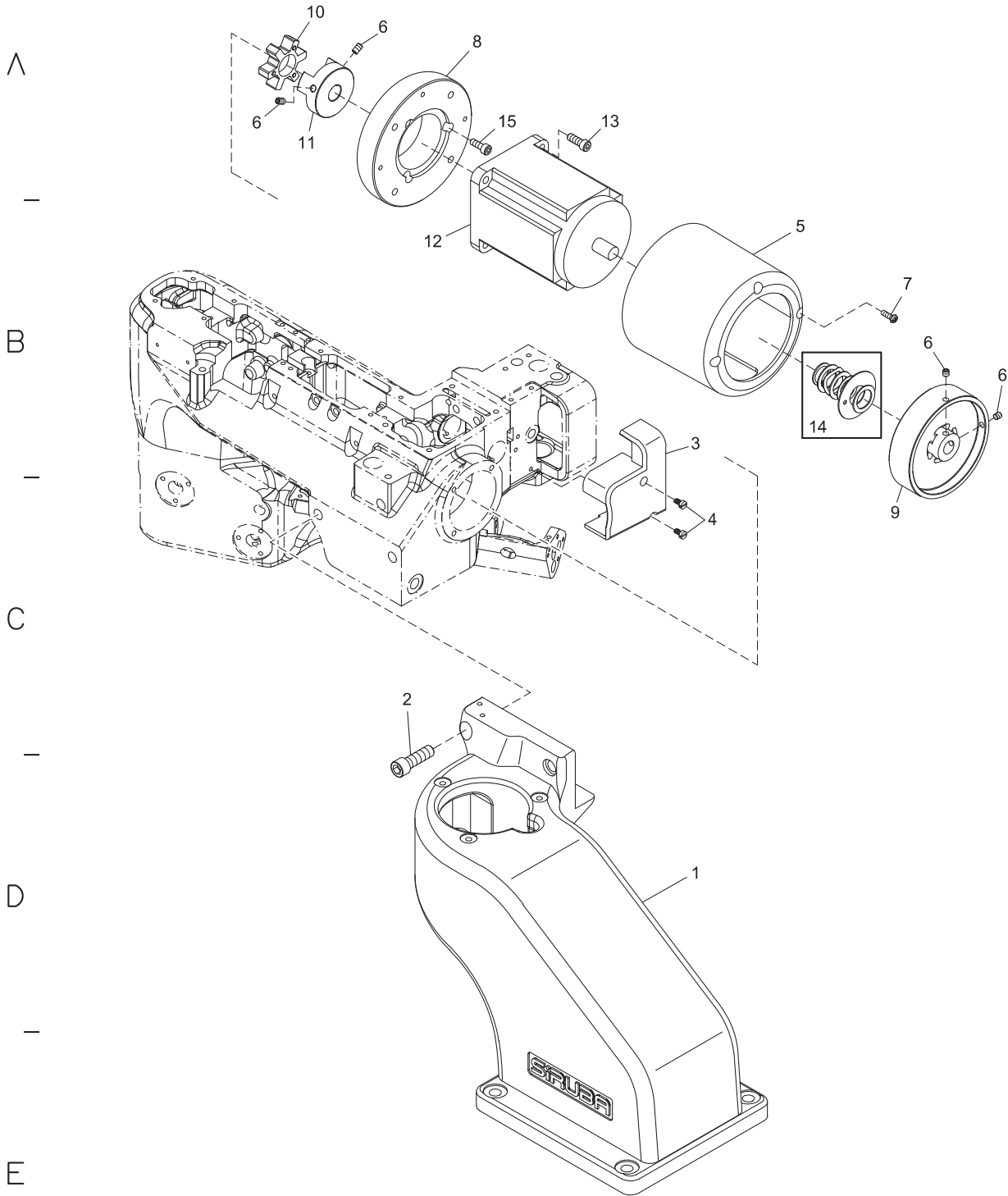
1

2

3

4

5



1

2

3

4

5

SIRUBA SEQUENCE LIST	Series	Parts Group	Subclass / Remark	Page
	D007S/ D007SX	DUT		1 / 9
				Date
				2021/05/06

Ref.N	Parts.No	Description	品名	Amt.Req
1	DUT1301	Sewing Maching Supprting Block	機座	1
2	DUT1302	Screw (3/8-16x30)	螺絲	2
3	DUT2569	Cover	護蓋	1
4	DE0834	Screw (9/64-40x11)	螺絲	2
5	DUT2567	Motor Cover	馬達蓋	1
6	DE0836	Screw (M5-0.8x8)	螺絲	4
7	DUT0111	Screw (M4-0.7x10)	螺絲	3
8	DUT1308	Moter Support	馬達座	1
9	DUT1309	Handwheel	馬達手輪	1
10	DUT1310	Coupling (Middle)	聯軸器 (中)	1
11	DUT1311	Coupling (Rear)	聯軸器 (後)	1
12	DUT1312	Servo Moter	伺服馬達	1
13	DUT1313	Screw (M6-1x16)	螺絲	4
14	DUT1314	Sensor Plate, C. Set	感應板組	1
15	DJ0646	Screw (M5-0.8x14)	螺絲	3

A

B

C

D

E

1

2

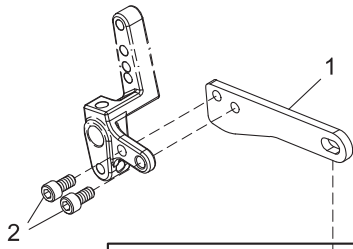
3

4

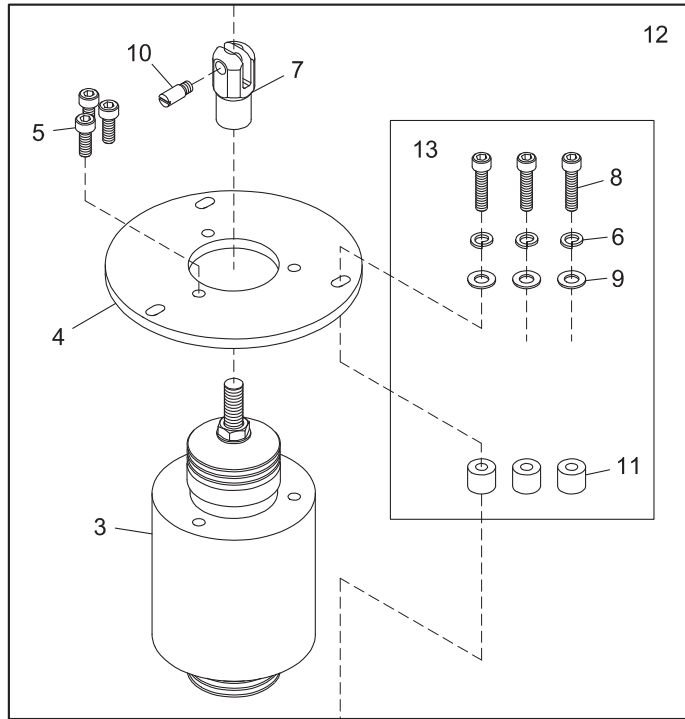
5

SIRUBA PARTS LIST	Series	Parts Group	Subclass / Remark	Page
	D007S/ D007SX	DUT	ET	2 / 9
				Date
				2021/05/06

A



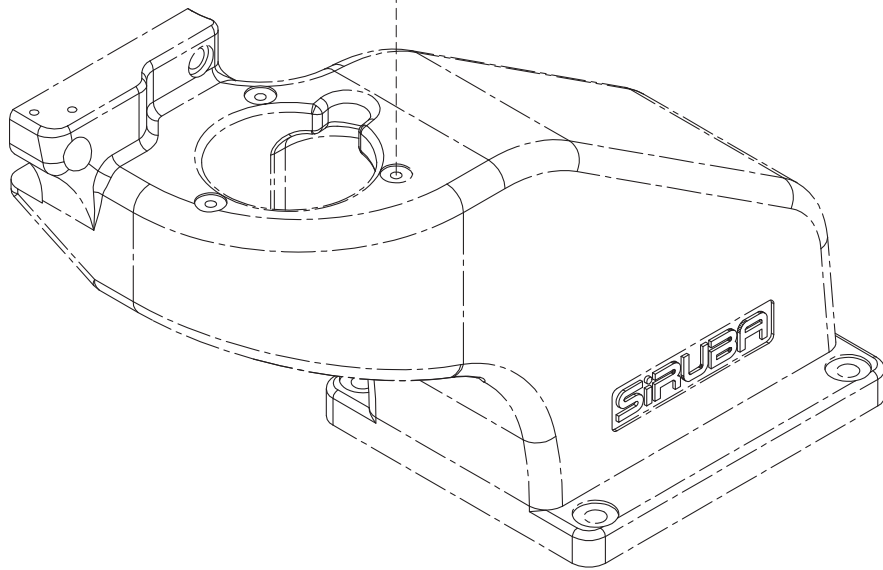
B



C

D

E



1

2

3

4

5

SIRUBA SEQUENCE LIST	Series	Parts Group	Subclass / Remark	Page
	D007S/ D007SX	DUT	ET	2 / 9
				Date
				2021/05/06

A

Ref.N	Parts.No	Description	品名	Amt.Req
1	DUT1401	Presser Bar Lifter Lever	抬壓腳連桿	1
2	DUT1402	Screw (M5-0.8x10)	螺絲	2
3	DUT1403	Electromagnet	電磁鐵	1
4	DUT1404	Electromagnet Support Plate	電磁鐵固定板	1
5	DJ0646	Screw (M5-0.8x14)	螺絲	3
6	DUT1406	Spring Washer	彈簧墊片	3
7	DUT1420	"Y" Joint	Y接頭	1
8	DUT1408	Screw (M5-0.8x25)	螺絲	3
9	DUT2524	Washer	墊片	3
10	DUT1410	Screw (M5-0.8x5)	螺絲	1
11	DUT1411	Bushing	襯套	3
12	DUT1412	Electromagnet, C. Set	電磁鐵組	1
13	DUT1413	Screw, C. Set	螺絲組	1

B

C

D

E

1

2

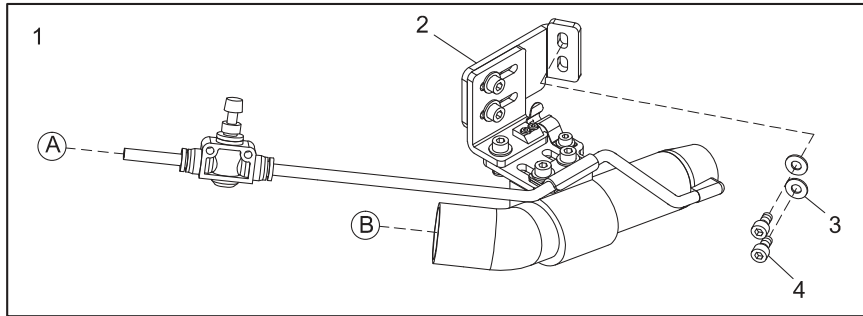
3

4

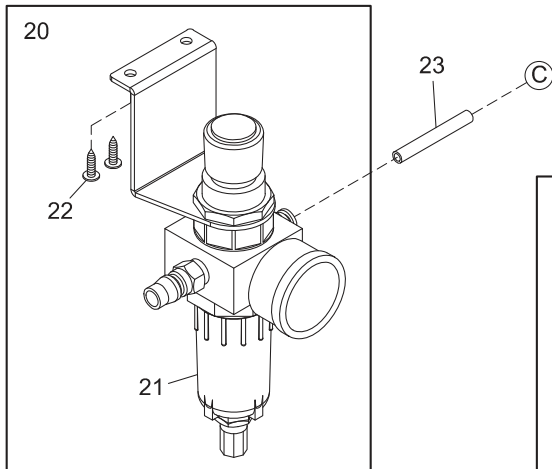
5

SiRUBA PARTS LIST	Series	Parts Group	Subclass / Remark	Page
	D007S/ D007SX	DUT	ET/AW1	3 / 9
				Date
				2021/05/06

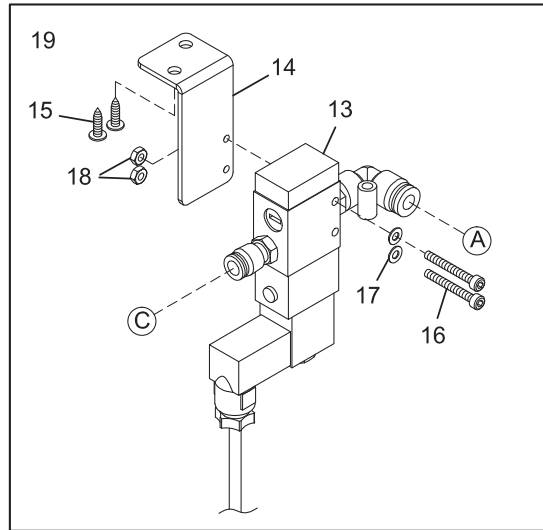
A



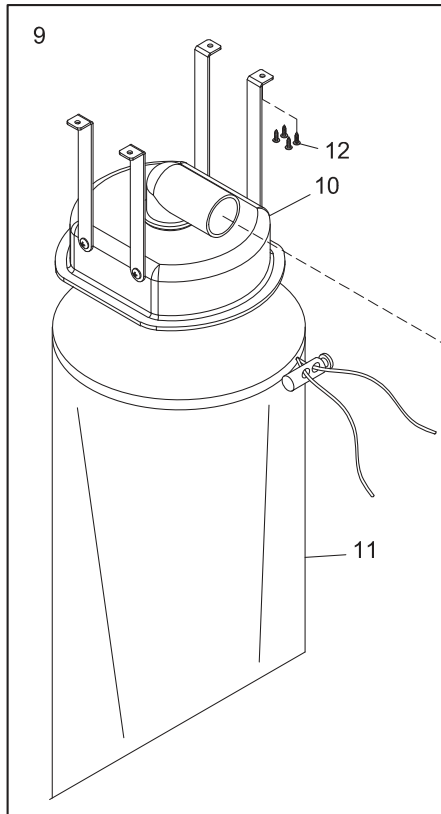
B



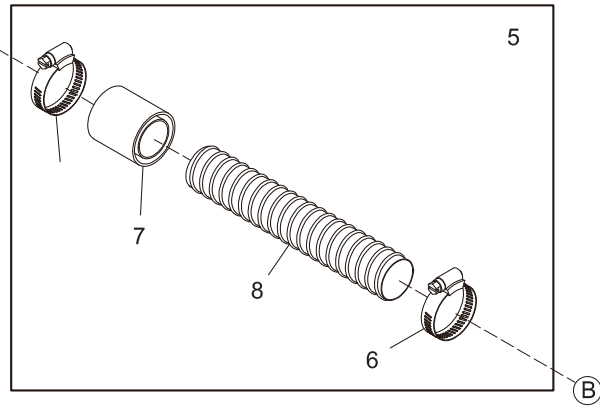
C



D



E



1

2

3

4

5

SIRUBA SEQUENCE LIST	Series	Parts Group	Subclass / Remark	Page
	D007S/ D007SX	DUT	ET/AW1	3 / 9
				Date
				2021/05/06

A

B

C

D

E

Ref.N	Parts.No	Description	品 名	Amt.Req
1	DUT1701	Suction Pipe Unit, C. Set	吸布管組	1
2	DUT1702	Suction Pipe Unit	吸布管	1
3	DUT1703	Washer	墊片	2
4	DUT1704	Screw (M5-0.8x10)	螺絲	2
5	DUT1705	Take Over, C. Set	接管組	1
6	DUT1706	Hose Band	管束	2
7	DUT1707	Take Over	轉接頭	1
8	DUT1708	Spiral Pipe	螺旋管	1
9	DUT1709	Waste Gather System, C. Set	集布袋組	1
10	DUT1710	Waste Gather Cover	集布蓋	1
11	DUT1711	Waste Gather Bag	集布袋	1
12	DUT1712	Wood Screw	螺絲	4
13	DUT1713	Solenoid Valve	電磁閥	1
14	DUT0512	Solenoid Valve Support	電磁閥架	1
15	DUT1715	Wood Screw	螺絲	2
16	DUT0514	Screw (M3-0.5x25)	螺絲	2
17	DUT0452	Washer	墊片	2
18	DUT0506	Nut	螺帽	2
19	DUT1719	Solenoid Valve, C. Set	電磁閥組	1
20	DUT2213	Filter Regulator, C. Set	調壓過濾器組	1
21	DUT2214	Filter Regulator	調壓過濾器	1
22	DUT2226	Wood Screw	螺絲	2
23	DUT2225	Air Tube (4x6x250mm)	PU管	1

1

2

3

4

5

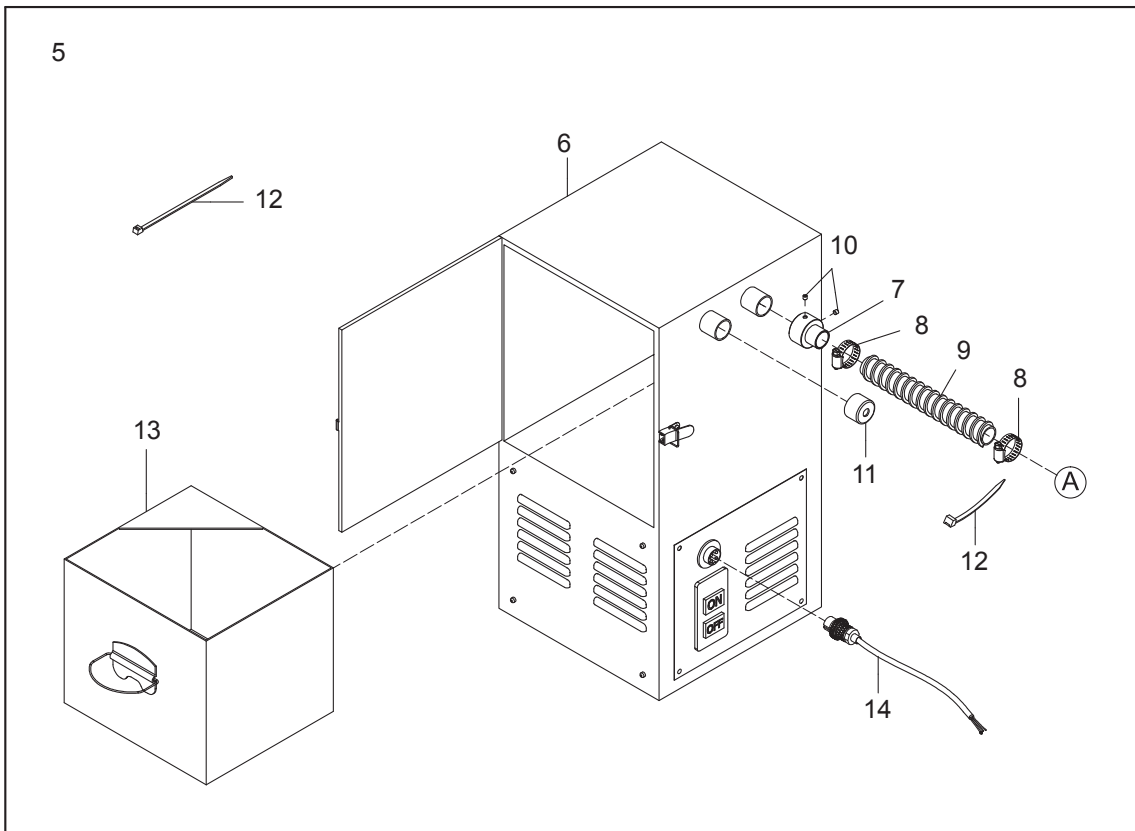
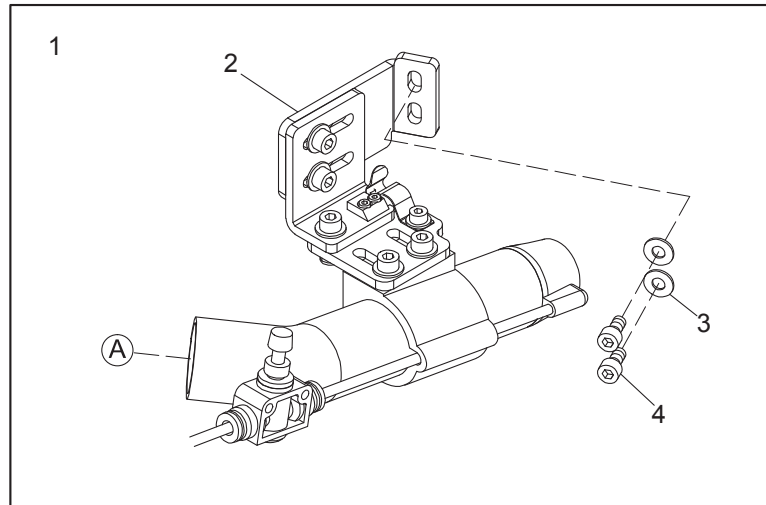
A

B

C

D

E



SIRUBA SEQUENCE LIST	Series	Parts Group	Subclass / Remark	Page
	D007S/ D007SX	DUT	AW2	4 / 9
				Date
				2021/05/06

A

Ref.N	Parts.No	Description	品名	Amt.Req
1	DUT1701	Suction Pipe Unit, C. Set	吸布管組	1
2	DUT1702	Suction Pipe Unit	吸布管	1
3	DUT1703	Washer	墊片	2
4	DUT1704	Screw (M5-0.8x10)	螺絲	2
5	DUT0405	AW Case Set	吸風箱組	1
6	DUT0406	Air Case	吸風箱	1
7	DUT0407	Connect Tube	接管	1
8	DUT0408	Fixed Ring	套環	2
9	DUT0409	Clear Tube	吸屑管	1
10	DUT0410	Screw (M6-1x5)	螺絲	1
11	DUT0411	Plug	塞子	1
12	DUT0412	Stable Strap	束帶	4
13	DUT0413	Case	布屑集中盒	1
14	DUT0414	Electric Wire	電源線	1

B

C

D

E

1

2

3

4

5

SIRUBA
SEQUENCE
LIST

Series
**D007S/
D007SX**

Parts Group
DUT

Subclass / Remark
AT

Page
5 / 9
Date
2021/05/06

A

B

C

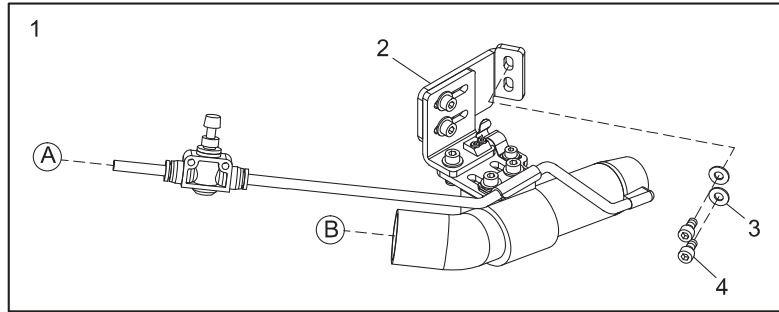
D

E

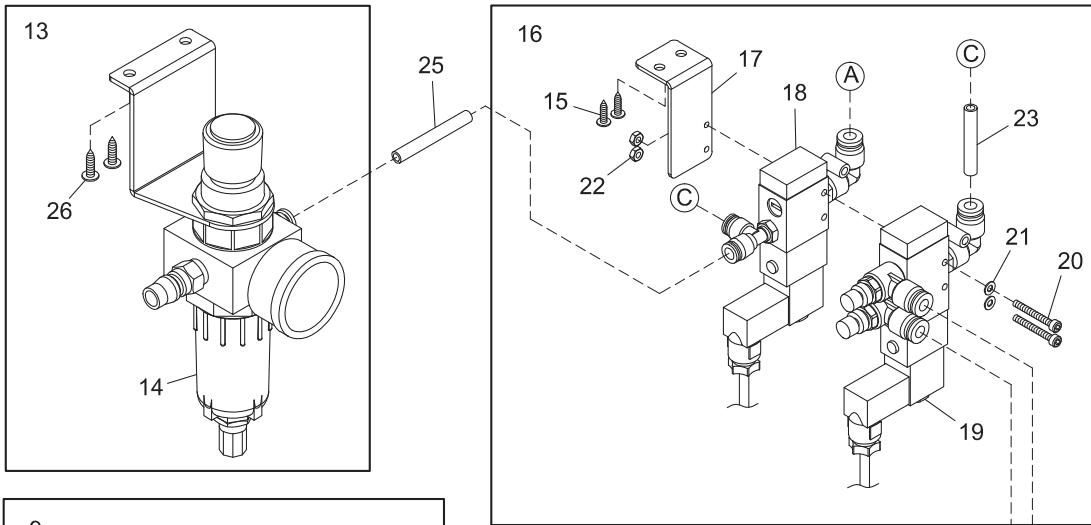
Ref.N	Parts.No	Description	品 名	Amt.Req
1	DUT1401	Presser Bar Lifter Lever	抬壓腳連桿	1
2	DUT1402	Screw (M5-0.8x10)	螺絲	2
3	DUT2303	Cylinder Support Plate	氣缸支架	1
4	DUT2304	Cylinder	氣缸	1
5	DUT2305	Nut	螺帽	1
6	DUT2306	Air Tube Joint	快速接頭	2
7	DUT2224	Air Tube (2.5x4x700mm)	PU管	2
8	DUT2566	Screw (M6-1x20)	螺絲	2
9	DUT1420	"Y" Joint	Y接頭	1
10	DUT1410	Screw (M5-0.8x5)	螺絲	1
11	DUT2311	Screw (M5-0.8x35)	螺絲	3
12	DUT2524	Washer	墊片	3
13	DUT2313	Bushing	套管	3
14	DUT2214	Filter Regulator	調壓過濾器	1
15	DUT1715	Wood Screw	螺絲	2
16	DUT0512	Solenoid Valve Support	電磁閥架	1
17	DUT0514	Screw (M3-0.5x25)	螺絲	2
18	DUT0452	Washer	墊片	2
19	DUT2219	Solenoid Valve	電磁閥	1
20	DUT0506	Nut	螺帽	2
21	DUT2226	Wood Screw	螺絲	2
22	DUT2225	Air Tube (4x6x250mm)	PU管	1
23	DUT1406	Spring Washer	彈簧墊片	3
24	DUT2324	Cylinder, C. Set	氣缸組	1
25	DUT2325	Screw, C. Set	螺絲組	1
26	DUT2326	Solenoid Valve, C. Set	電磁閥組	1
27	DUT2213	Filter Regulator, C. Set	調壓過濾器組	1

SiRUBA PARTS LIST	Series	Parts Group	Subclass / Remark	Page
	D007S/ D007SX	DUT	AT/AW1	6 / 9
				Date
				2021/05/06

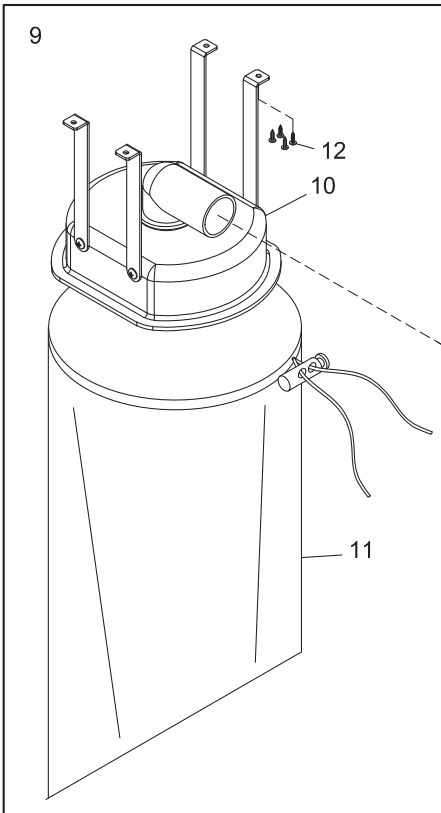
A



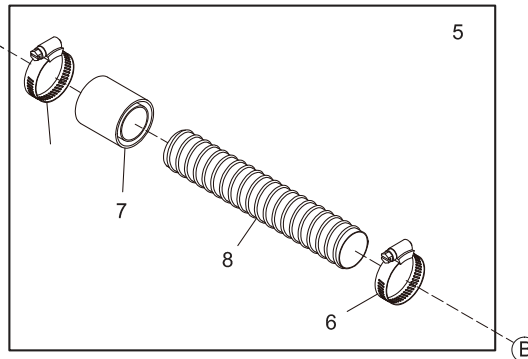
B



C



D



E

1

2

3

4

5

SIRUBA SEQUENCE LIST	Series	Parts Group	Subclass / Remark	Page
	D007S/ D007SX	DUT	AT/AW1	6 / 9
				Date
				2021/05/06

Ref.N	Parts.No	Description	品 名	Amt.Req
1	DUT1701	Suction Pipe Unit, C. Set	吸布管組	1
2	DUT1702	Suction Pipe Unit	吸布管	1
3	DUT1703	Washer	墊片	2
4	DUT1704	Screw (M5-0.8x10)	螺絲	2
5	DUT1705	Take Over, C. Set	接管組	1
6	DUT1706	Hose Band	管束	2
7	DUT1707	Take Over	轉接頭	1
8	DUT1708	Spiral Pipe	螺旋管	1
9	DUT1709	Waste Gather System, C. Set	集布袋組	1
10	DUT1710	Waste Gather Cover	集布蓋	1
11	DUT1711	Waste Gather Bag	集布袋	1
12	DUT1712	Wood Screw	螺絲	4
13	DUT2213	Filter Regulator, C. Set	調壓過濾器組	1
14	DUT2214	Filter Regulator	調壓過濾器	1
15	DUT1715	Wood Screw	螺絲	2
16	DUT2216	Solenoid Valve, C. Set	電磁閥組	1
17	DUT0512	Solenoid Valve Support	電磁閥架	1
18	DUT2218	Solenoid Valve	電磁閥	1
19	DUT2219	Solenoid Valve	電磁閥	1
20	DUT0504	Screw (M3-0.5x45)	螺絲	2
21	DUT0452	Washer	墊片	2
22	DUT0506	Nut	螺帽	2
23	DUT2223	Air Tube (4x6x300mm)	PU管	1
24	DUT2224	Air Tube (2.5x4x700mm)	PU管	2
25	DUT2225	Air Tube (4x6x250mm)	PU管	1
26	DUT2226	Wood Screw	螺絲	2

A

B

C

D

E

1

2

3

4

5

SIRUBA PARTS LIST	Series	Parts Group	Subclass Remark	Page
	D007S/ D007SX	DUT	AK/AW7	7 / 9
				Date
				2021/05/06

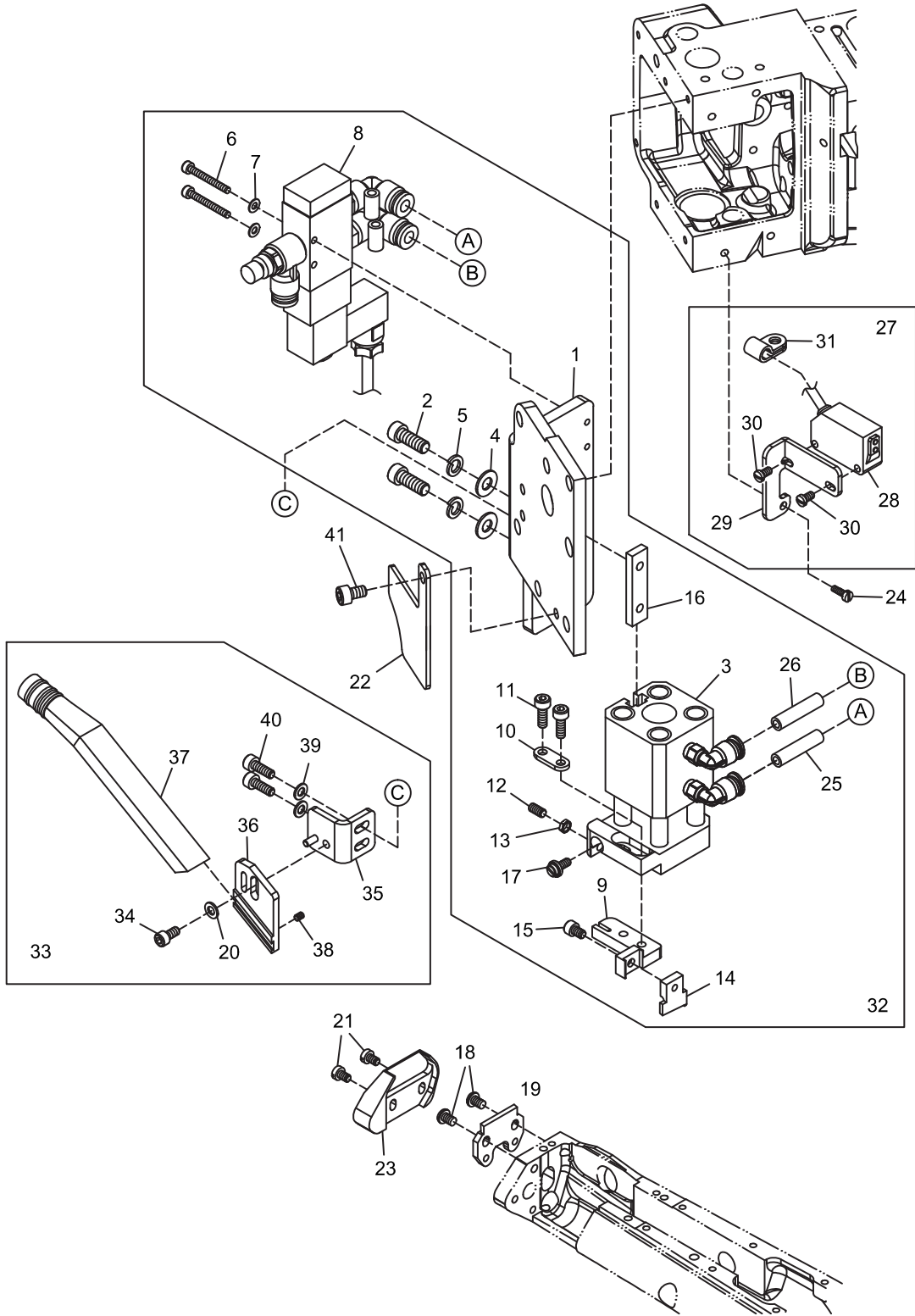
A

B

C

D

E



1

2

3

4

5

SIRUBA SEQUENCE LIST	Series	Parts Group	Subclass Remark	Page
	D007S/ D007SX	DUT	AK/AW7	7 / 9
				Date
				2021/05/06

A

B

C

D

E

Ref.N	Parts.No	Description	品名	Amt.Req
1	DUT29001	Sewing Head Cover	車頭蓋	1
2	DUT29002	Screw (M5-0.8x16)	螺絲	2
3	DUT29003	Cylinder	氣缸	1
4	DUT29004	Washer	墊片	2
5	DUT1406	Spring Washer	彈簧墊片	2
6	DUT05014	Screw (M3-0.5x25)	螺絲	2
7	DUT04052	Washer	墊片	2
8	DUT29008	Solenoid Valve	電磁閥	1
9	DUT29209	Upper Knife Holder	上切刀固定座	1
10	DUT29010	Washer	墊片	1
11	DUT1427	Screw(M4-0.7x12)	螺絲	2
12	DUT29012	Screw (M4-0.7x12)	螺絲	1
13	DUT02029	Nut	螺帽	1
14	DUT29314	Upper Knife	上切刀	1
15	DUT03041	Screw (M4-0.7x6)	螺絲	1
16	DUT29016	Guide Plate	導板	1
17	DE0842	Adjusting Screw (9/64-40x8.2)	調節螺絲	1
18	DUT01011	Screw (M4-0.7x10)	螺絲	2
19	DUT29219	Lower Knife	下切刀	1
20	DUT29020	Washer	墊片	1
21	DA0143	Screw (9/64-40x7.3)	螺絲	2
22	DUT29022	Hand Guard Board	護手板	1
23	DUT29123	Cover	外蓋	1
24	DE0834	Screw (9/64-40x11)	螺絲	1
25	DUT29025	Air Tube (2.5x4x120mm)	PU管	1
26	DUT29026	Air Tube (2.5x4x150mm)	PU管	1
27	DUT29127	Photoelectriv Switches, C. Set	光電感應器組	1
28	DUT29128	Photoelectriv Switches	光電感應器	1
29	DUT29129	Switches Holder	感應器支架	1
30	DUT04049	Screw (M3-0.5x6.5)	螺絲	2
31	DUT13019	Cord Clamp	配線固定鈕	1
32	DUT29032	Upper Knife, C. Set	上切刀組	1
33	DUT29033	Clear Pipe, C. Set	吸屑管組	1
34	DUT29034	Screw (M4-0.7x10)	螺絲	1
35	DUT29035	Clear Pipe Holder	吸屑管固定座	1
36	DUT29036	Clear Pipe Support	吸屑管支架	1
37	DUT29037	Clear Pipe	吸屑管	1
38	DUT01014	Screw (M3-0.5x3)	螺絲	2
39	DUT03030	Washer	墊片	2
40	DUT2527	Screw(M4-0.7x8)	螺絲	2
41	DUT29042	Screw (M5-0.8x6)	螺絲	1

1

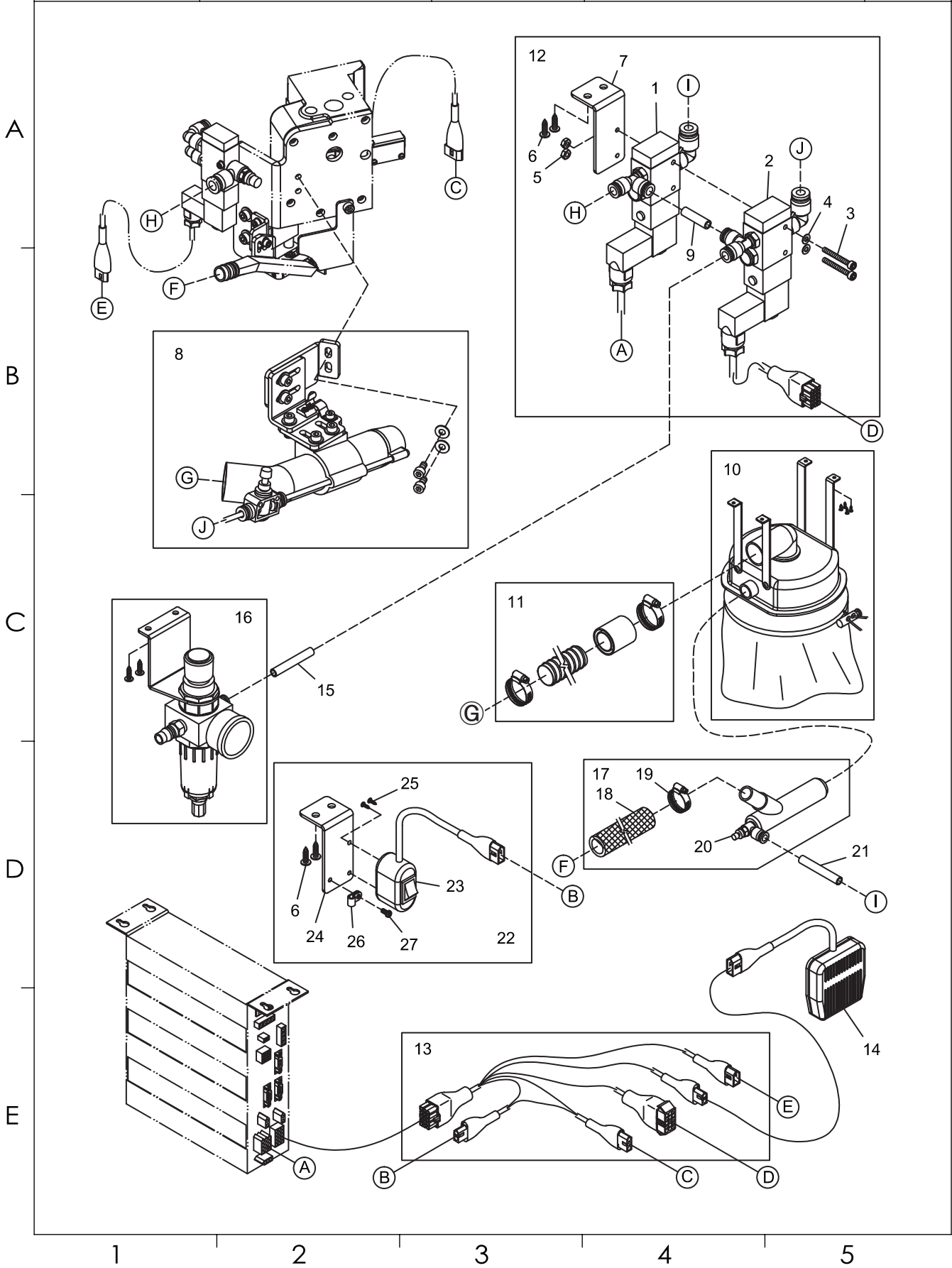
2

3

4

5

SIRUBA PARTS LIST	Series	Parts Group	Subclass Remark	Page
	D007S/ D007SX	DUT	AK/AW7	8 / 9
				Date
				2021/05/06



SIRUBA SEQUENCE LIST	Series	Parts Group	Subclass Remark	Page
	D007S/ D007SX	DUT	AK/AW7	8 / 9
				Date
				2021/05/06

A

B

C

D

E

Ref.N	Parts.No	Description	品名	Amt.Req
1	DUT30001	Solenoid Valve	電磁閥	1
2	DUT30002	Solenoid Valve	電磁閥	1
3	DUT05014	Screw (M3-0.5x25)	螺絲	2
4	DUT04052	Washer	墊片	2
5	DUT05006	Nut	螺帽	2
6	DUT17015	Wood Screw	螺絲	4
7	DUT05112	Solenoid Valve Support	電磁閥架	1
8	DUT17001	Suction Pipe Unit, C. Set	吸布管組	1
9	DUT30009	Air Tube (4x6x180mm)	PU管	1
10	DUT17009	Waste Gather System, C. Set	集布袋組	1
11	DUT17005	Take Over, C. Set	接管組	1
12	DUT30012	Solenoid Valve, C. Set	電磁閥組	1
13	DUT30013	Relay Line	中繼線	1
14	DUT30014	Kness Switch	膝動開關	1
15	DUT22125	Air Tube (4x6x200mm)	PU管	1
16	DUT22113	Filter Regulator, C. Set	調壓過濾器組	1
17	DUT30017	Vacuum Feed Pipe, C. Set	真空送氣管組	1
18	DUT30018	PVC Tube	PVC管	1
19	DUT24046	Hose Band	管束	1
20	DUT30020	Vacuum Feed Pipe	真空送氣管	1
21	DUT30021	Air Tube (4x6mm)	PU管	1
22	DUT30022	Switch, C. Set	切換開關組	1
23	DUT30023	Switch	切換開關	1
24	DUT30024	Switch Support	切換開關支架	1
25	DUT30025	Screw	螺絲	2
26	DUT13019	Cord Clamp	配線固定鈕	1
27	DUT02044	Screw (M4-0.7x5)	螺絲	1

1

2

3

4

5

SIRUBA PARTS LIST	Series	Parts Group	Subclass / Remark	Page
	D007S/ D007SX	DUT	H	9 / 9
				Date
				2023/05/22

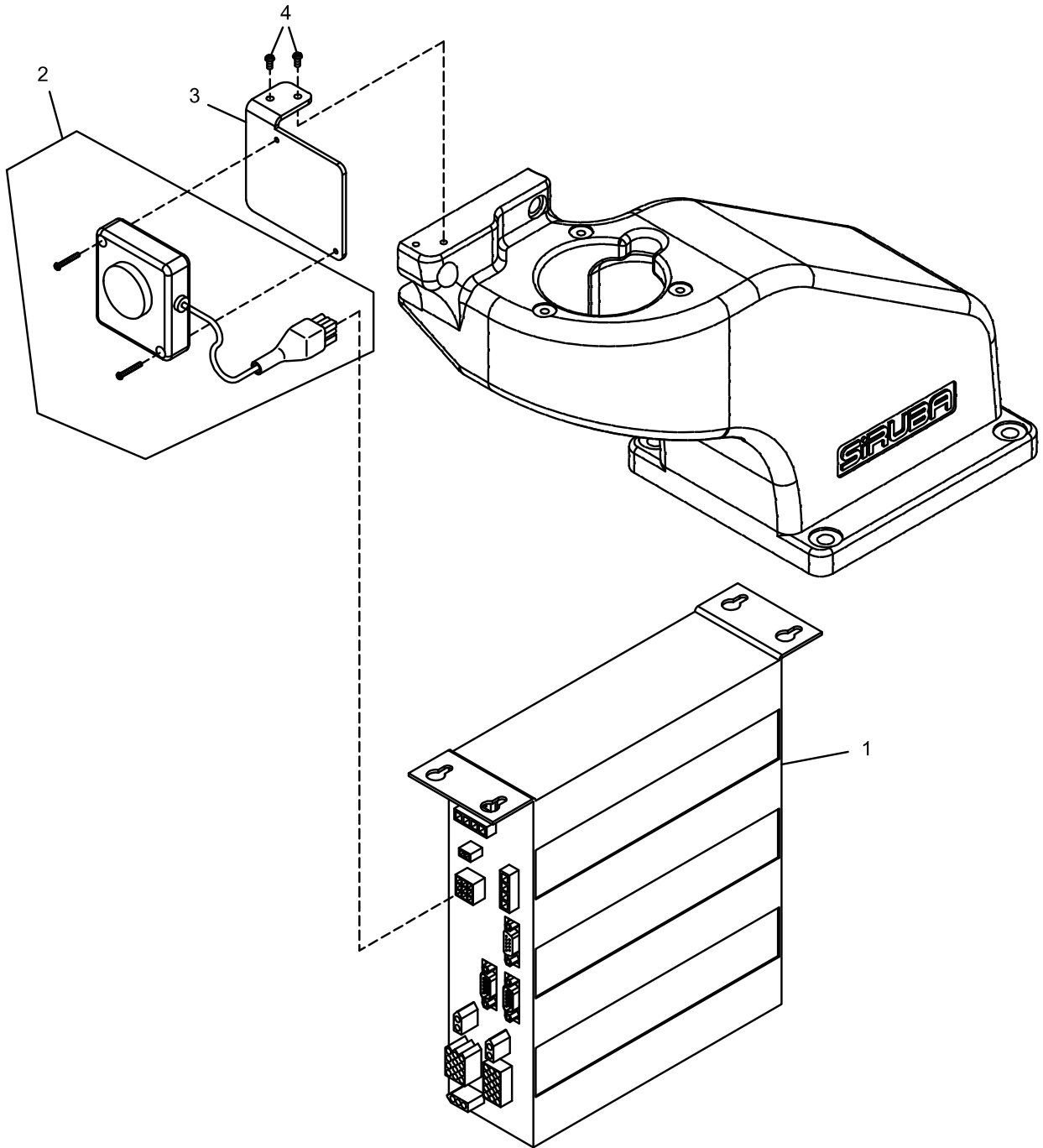
A

B

C

D

E



SIRUBA SEQUENCE LIST	Series	Parts Group	Subclass / Remark	Page
	D007S/ D007SX	DUT	H	9 / 9
				Date
				2023/05/22

A

B

C

D

E

Ref.N	Parts.No	Description	品名	Amt.Req
1	DUT2801	Control Box	控制箱	1
2	HS-2VPSWB0110	Electron Handwheel	電子手輪	1
3	DUT1323	Handwheel Support	手輪支架	1
4	DUT2530	Screw (M4-0.7x8)	螺絲	2

1

2

3

4

5

SIRUBATABLE
CUT-OUT

Series

D007S/D007SX

Item Code

D007S-T1

Subclass Remark

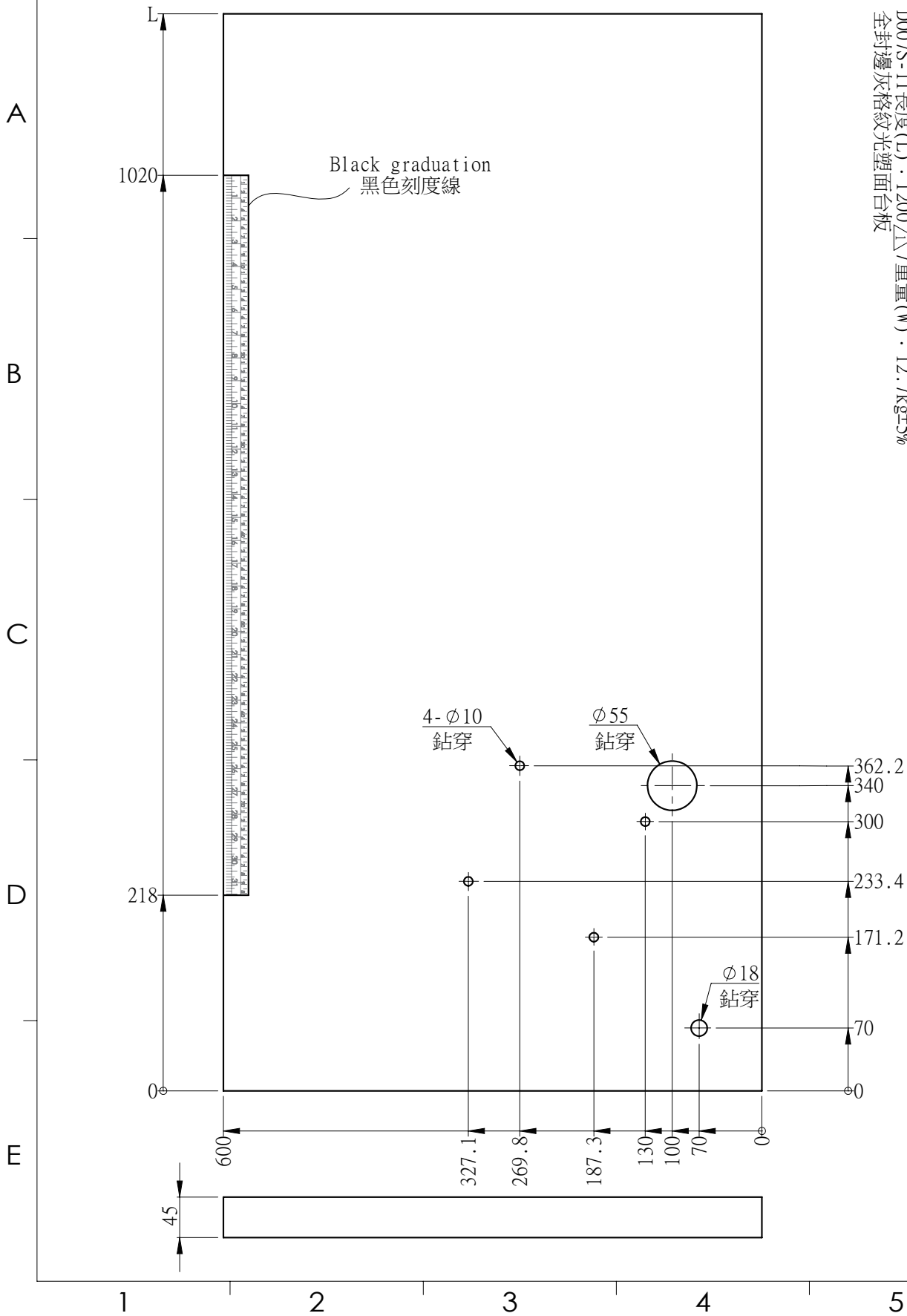
△1020修改為1200

Mounting

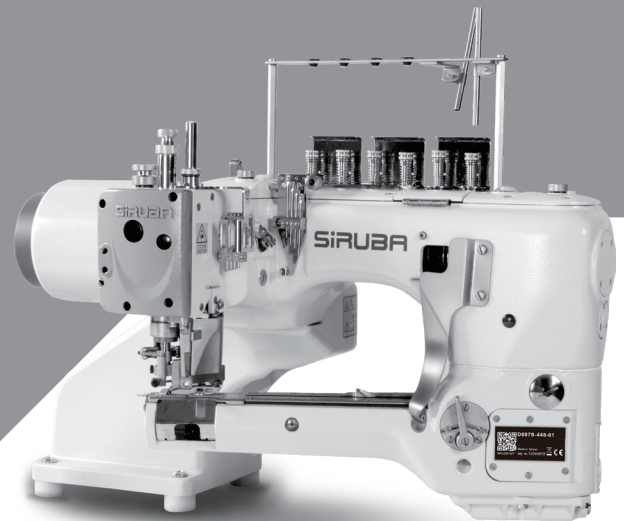
Non-Submerged

Date

2023/03/07



單位/UNIT : mm
 所有尺寸公差/TOLERANCE : ±2
 D007S-T1-1070長度(L) : 1070/重量(W) : 11.7kg±5%
 D007S-T1長度(L) : 1200/△/重量(W) : 12.7kg±5%
 全封邊灰格紋光塑面台板



 高林股份有限公司
KAULIN MFG. CO., LTD.

由於對產品的改良及更新，本產品使用說明書中與零件圖之產品及外觀的修改恕不事先通知！
The specification and/or appearances of the equipment described in this instruction book & parts list are subject to change because of modification which will without previous notice.
D007S / D007SX.MAR.2023