

SIRUBA PARTS LIST	Series	Parts Group	Subclass / Remark	Page
	C007KP	CAH-K	-	1/4
				Date
				2023/10/13

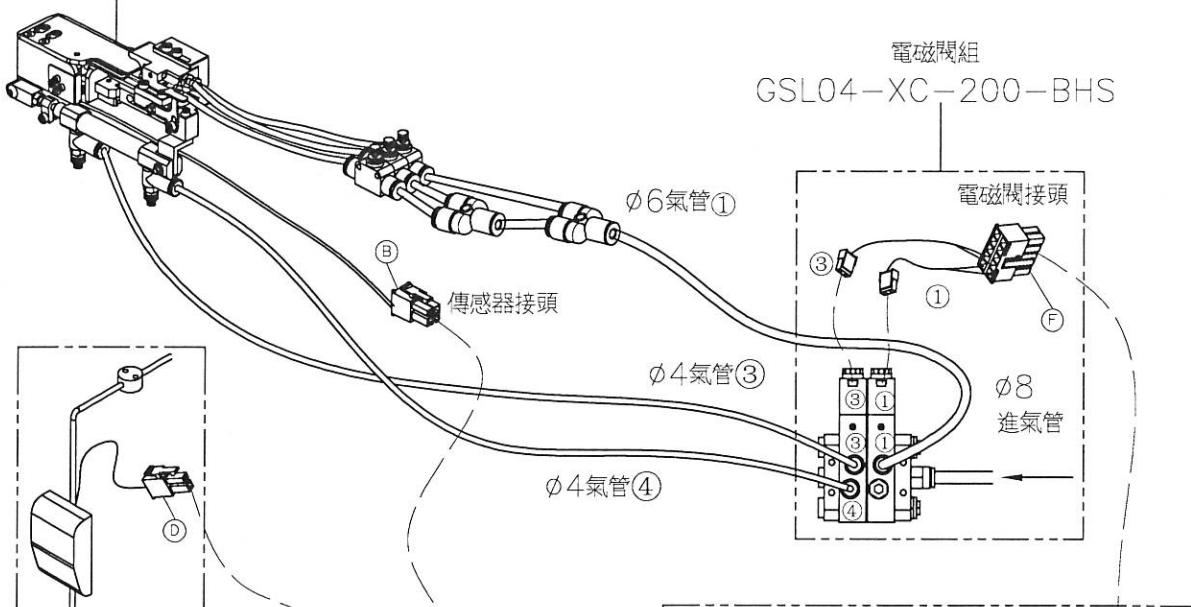
GS-CAH-01-A

A

半自動下擺裝置主體
GSL04-GS-BHS-T

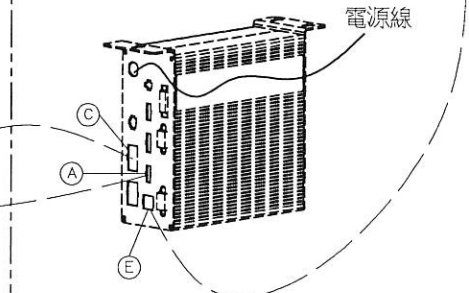
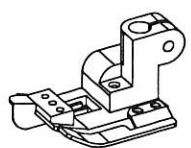
電磁閥組
GSL04-XC-200-BHS

B



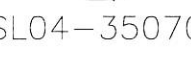
C

膝控開關
GSL04-KSE-80L



D

壓腳
GSL04-3507064

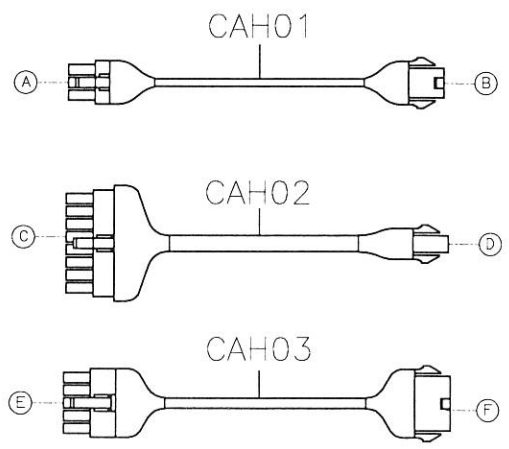
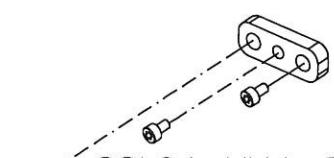


壓片

GSL04-3107274(寬度2.5mm)
GSL04-3107273(寬度2.0mm)

E

GSL04-BHS037 (C007)
GSL04-YM4-8-N
GSL04-YM4-14-N*2



1

2

3

4

5

SIRUBA PARTS LIST	Series	Parts Group	Subclass / Remark	Page
	C007KP	CAH-K	-	2/4
				Date
				2023/10/13

GSL04-GS-BHS-T

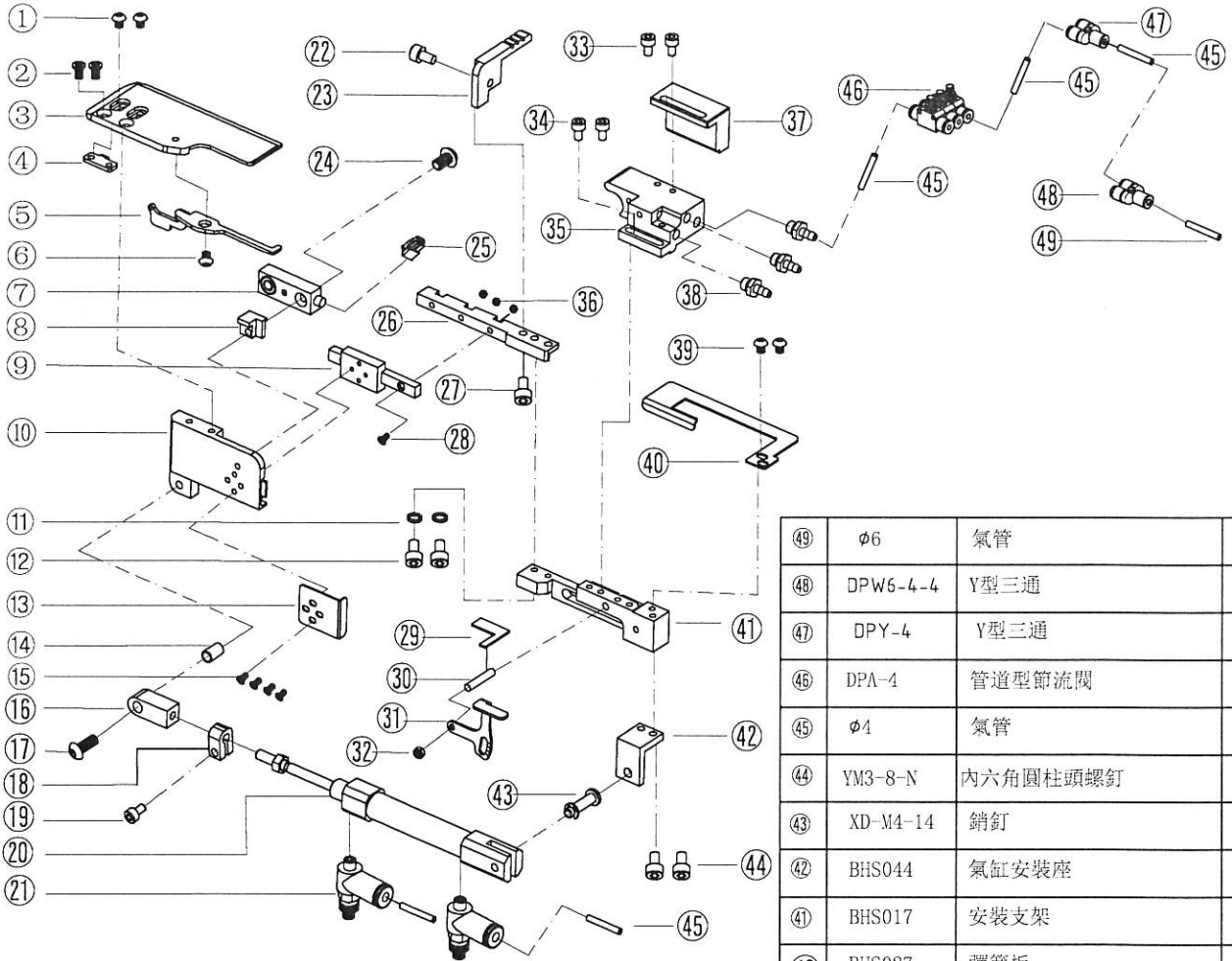
A

B

C

D

E



49	φ6	氣管	1
48	DPW6-4-4	Y型三通	1
47	DPY-4	Y型三通	1
46	DPA-4	管道型節流閥	3
45	φ4	氣管	9
44	YM3-8-N	內六角圓柱頭螺釘	2
43	XD-M4-14	銷釘	1
42	BHS044	氣缸安裝座	1
41	BHS017	安裝支架	1
40	BHS027	彈簧板	1

13	BHS029	電線壓板	1	26	BHS016	左支架	1	39	PM3-3-N	內六角平圓頭螺釘	2
12	YM3-8-N	內六角圓柱頭螺釘	2	25	4P	白色端頭插頭	1	38	SPC-M5-4	寶塔接頭	3
11	TD3	彈墊	2	24	PM3-16-N	內六角平圓頭螺釘	1	37	BHS024	右擋塊	1
10	BHS019	滑塊連接板	1	23	BHS039	左擋邊	1	36	M2	六角螺母	3
9	MGN5H-1-45L	直線導軌	1	22	YM3-10-N	內六角圓柱頭螺釘	1	35	BHS026	吹氣擋塊	1
8	BHS022	感應器固定件	1	21	DPA-4	L型節流閥	2	34	YM3-10-N	內六角圓柱頭螺釘	2
7	E2S-H4N1	接近傳感器	1	20	CDJ2D10-25	氣缸	1	33	YM3-8-N	內六角圓柱頭螺釘	2
6	PM3-3-N	內六角平圓頭螺釘	1	19	YM3-8-N	內六角圓柱頭螺釘	1	32	M3	六角螺母	1
5	BHS025	觸發桿	1	18	BHS021	氣缸限位塊	1	31	BHS032	限位片	1
4	BHS030	拉簧調節板	1	17	PM4-12-N	內六角平圓頭螺釘	1	30	BHS030	轉動軸	1
3	BHS018	分布板	1	16	BHS020	氣缸接頭	1	29	BHS028	撥片	1
2	CM3-8-N	沈頭內六角螺釘	2	15	CM2-6-S	十字沈頭螺釘	4	28	CM2-10-S	十字沈頭螺釘	3
1	PM3-3-N	內六角平圓頭螺釘	2	14	BHS031	管套	1	27	YM3-6-N	內六角圓柱頭螺釘	1

序號	編號	名稱	數量	序號	編號	名稱	數量	序號	編號	名稱	數量
----	----	----	----	----	----	----	----	----	----	----	----

1

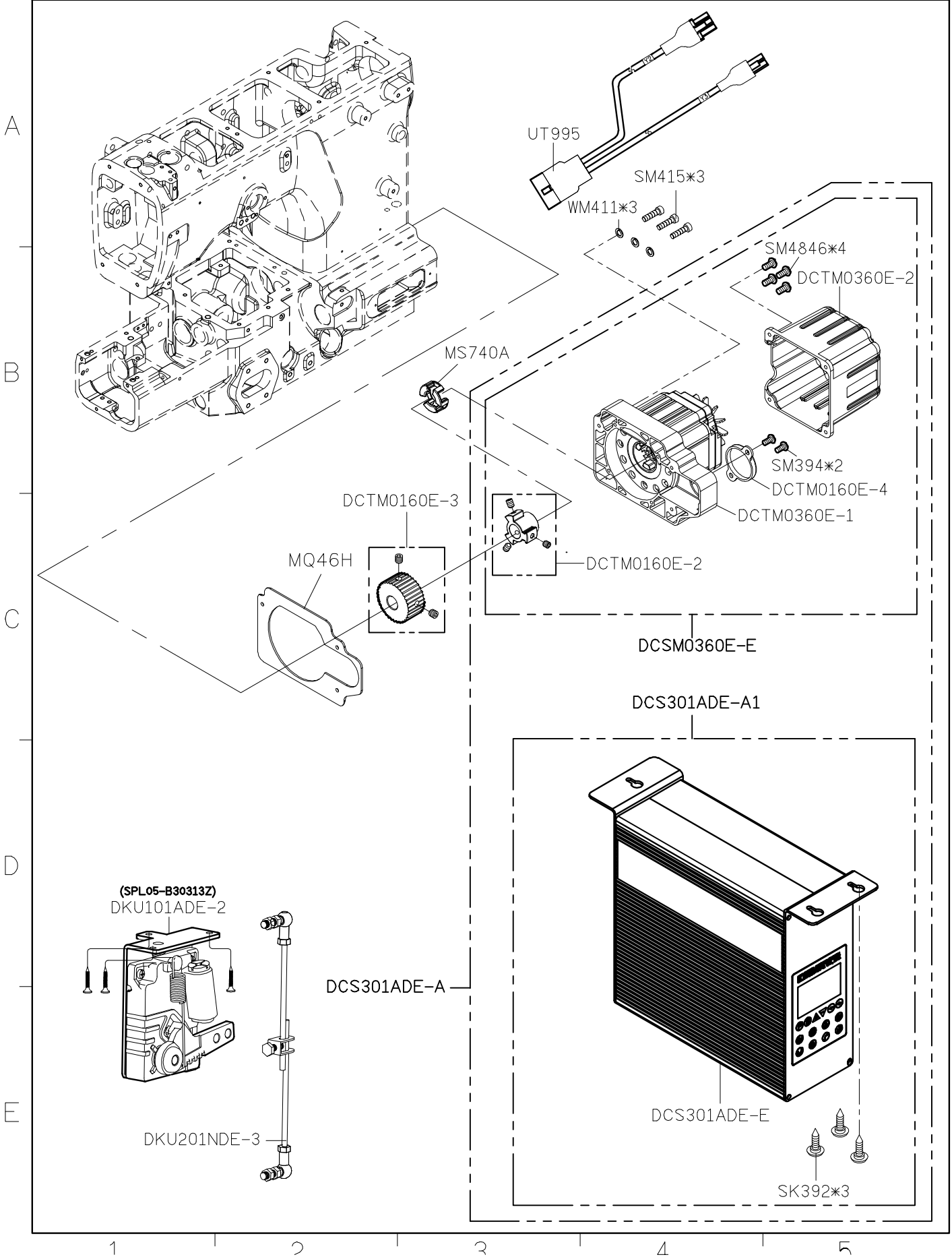
2

3

4

5

SIRUBA PARTS LIST	Series	Parts Group	Subclass / Remark	Page
	C007KP	CAH-K	For Direct-Drive Motor CAH/UTP CAH/UTQ	3/4
				Date
				2024/1/11



SIRUBA PARTS LIST	Series	Parts Group	Subclass / Remark	Page
	C007KP	CAH-K	-	4/4
				Date
				2023/10/13

A

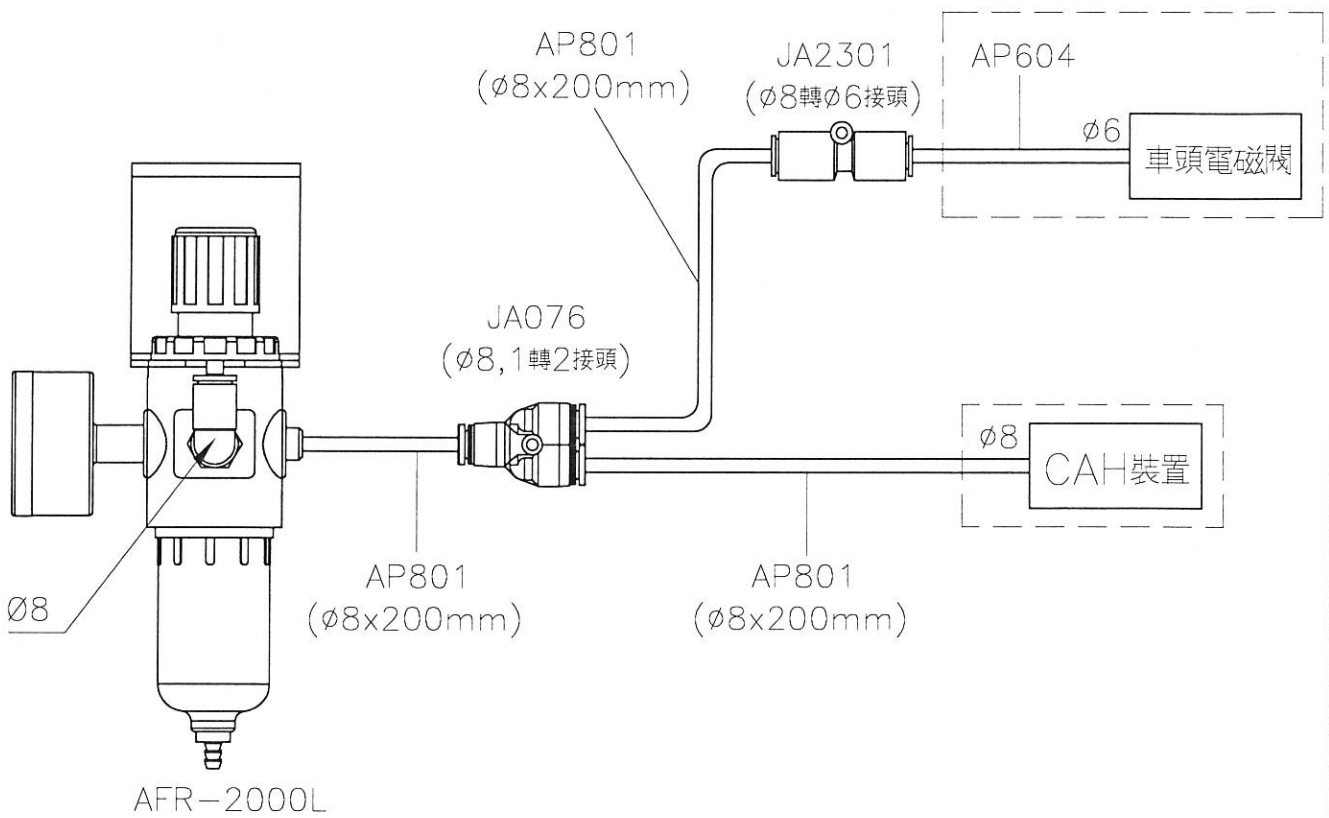
C007KP CAH氣管接管圖

B

C

D

E



1

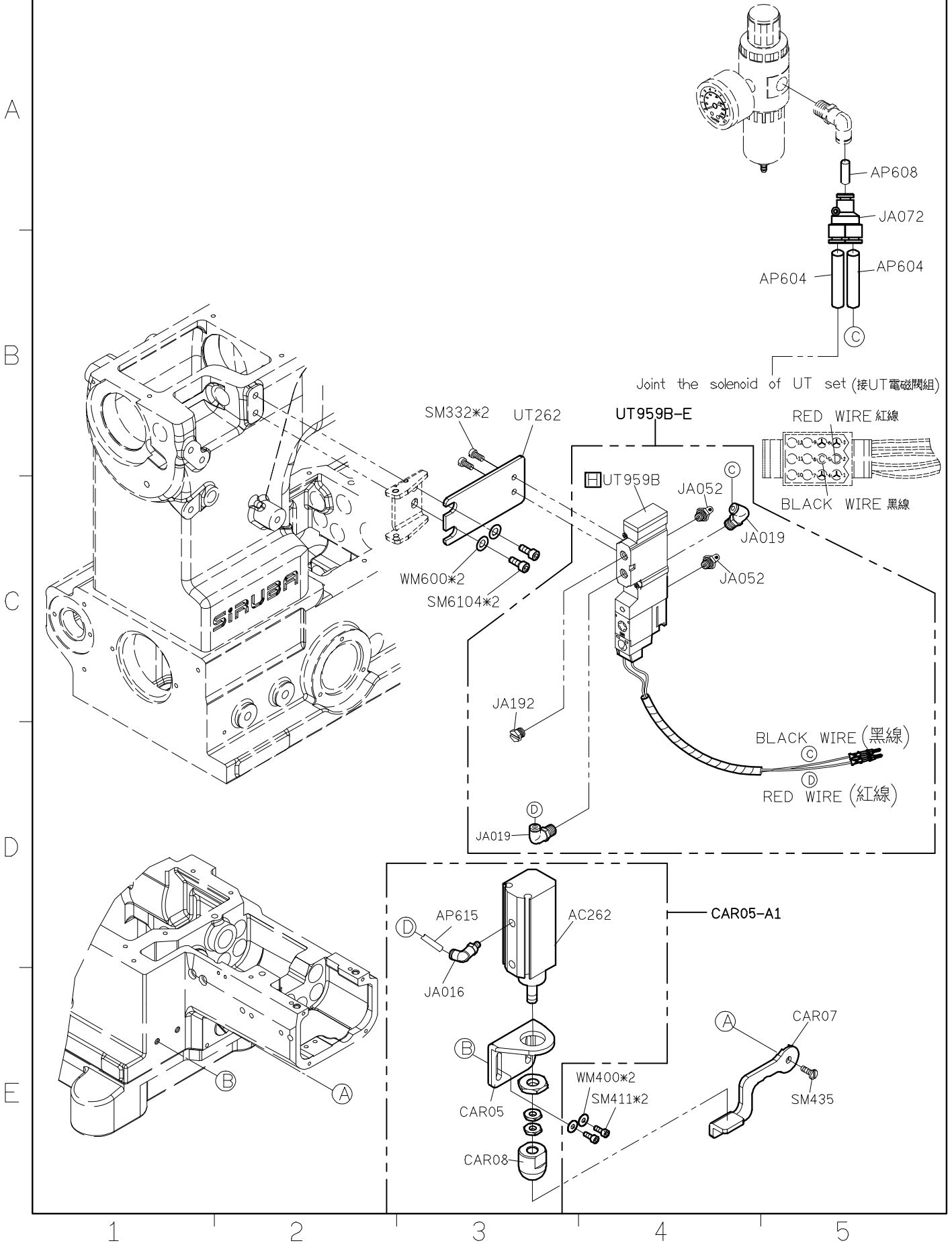
2

3

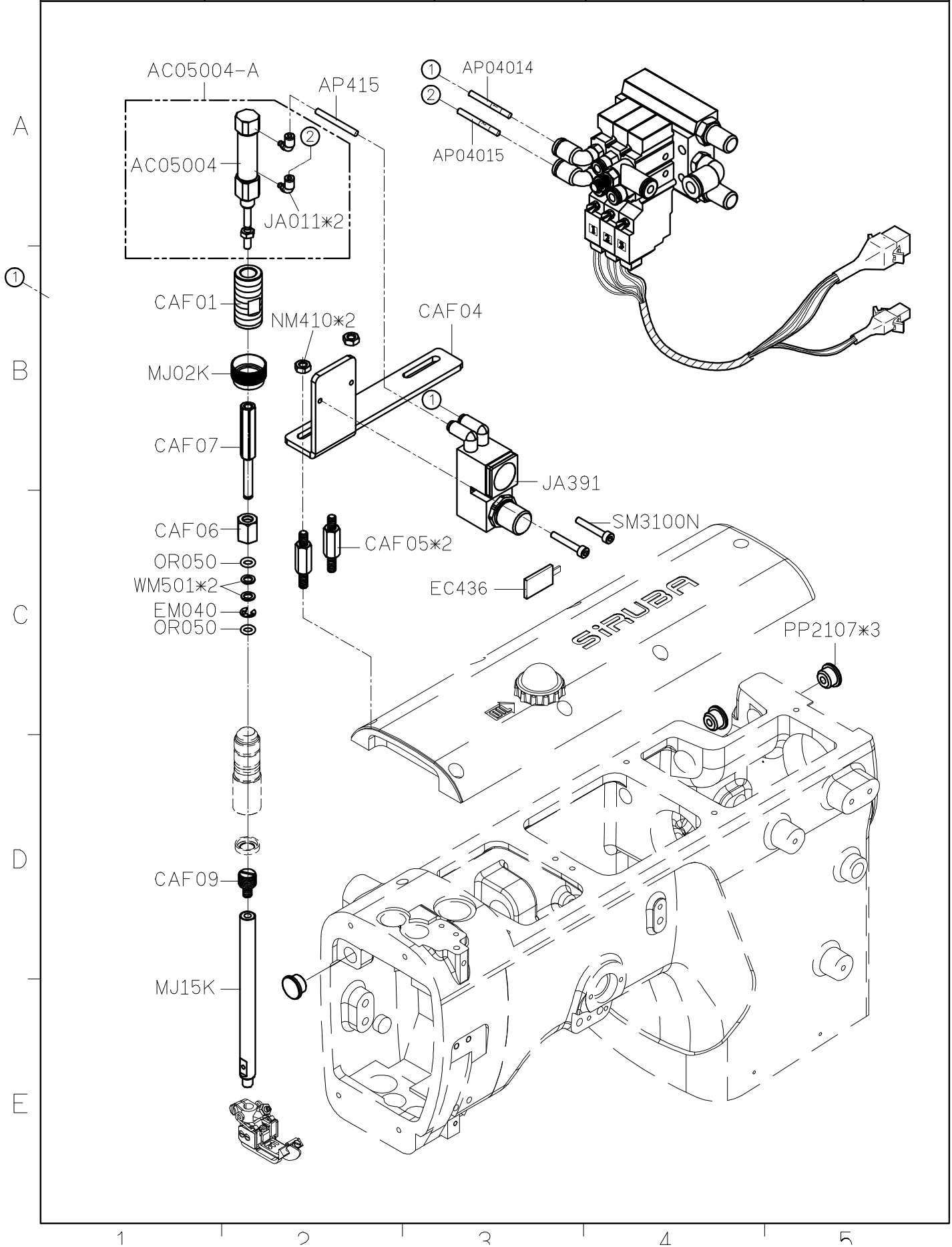
4

5

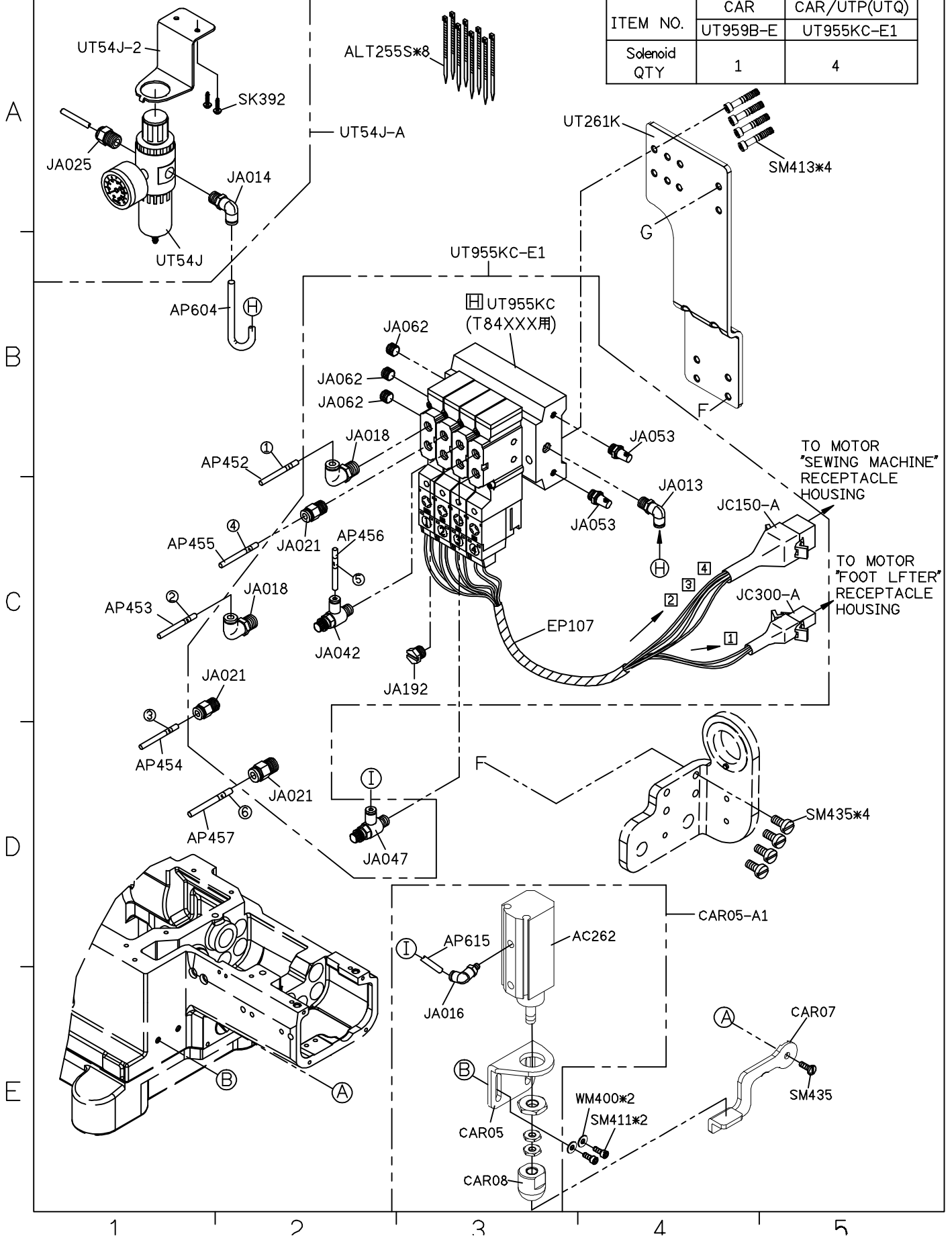
SIRUBA PARTS LIST	Series	Parts Group	Subclass Remark	Page
	C007K/C007KD C007KP/C858K	CAR	For C007K/C858K/C007KD add SAR to the type UT ☐ : Use for H brand motor (HVP-20)	1/2
				Date
				2016/8/29



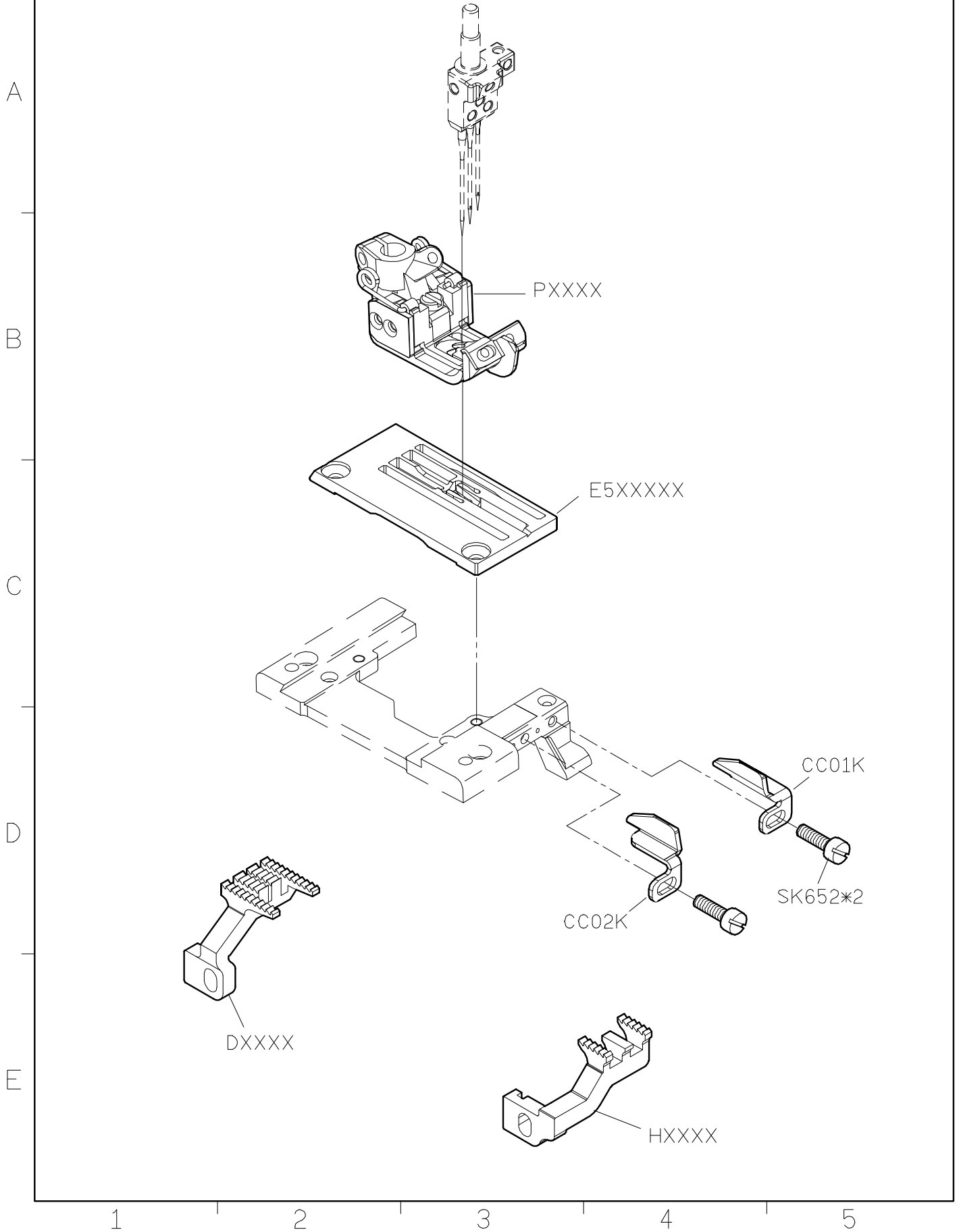
SIRUBA PARTS LIST	Series	Parts Group	Subclass / Remark	Page
	C007KP/ C007L/C007LX	CAF-K		1/1
				Date
				2023/7/10



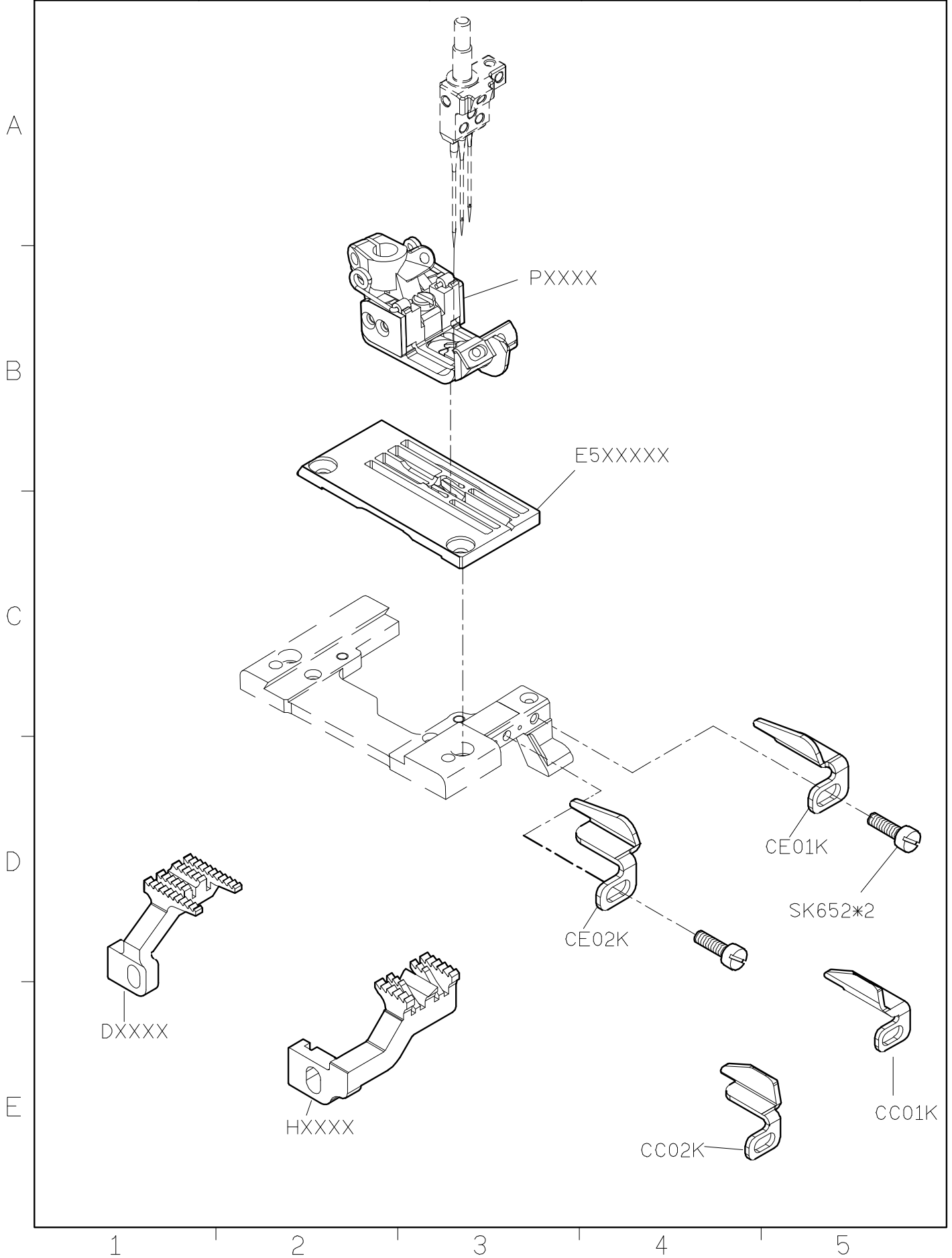
ITEM NO.	CAR	CAR/UTP(UTQ)
	UT959B-E	UT955KC-E1
Solenoid QTY	1	4

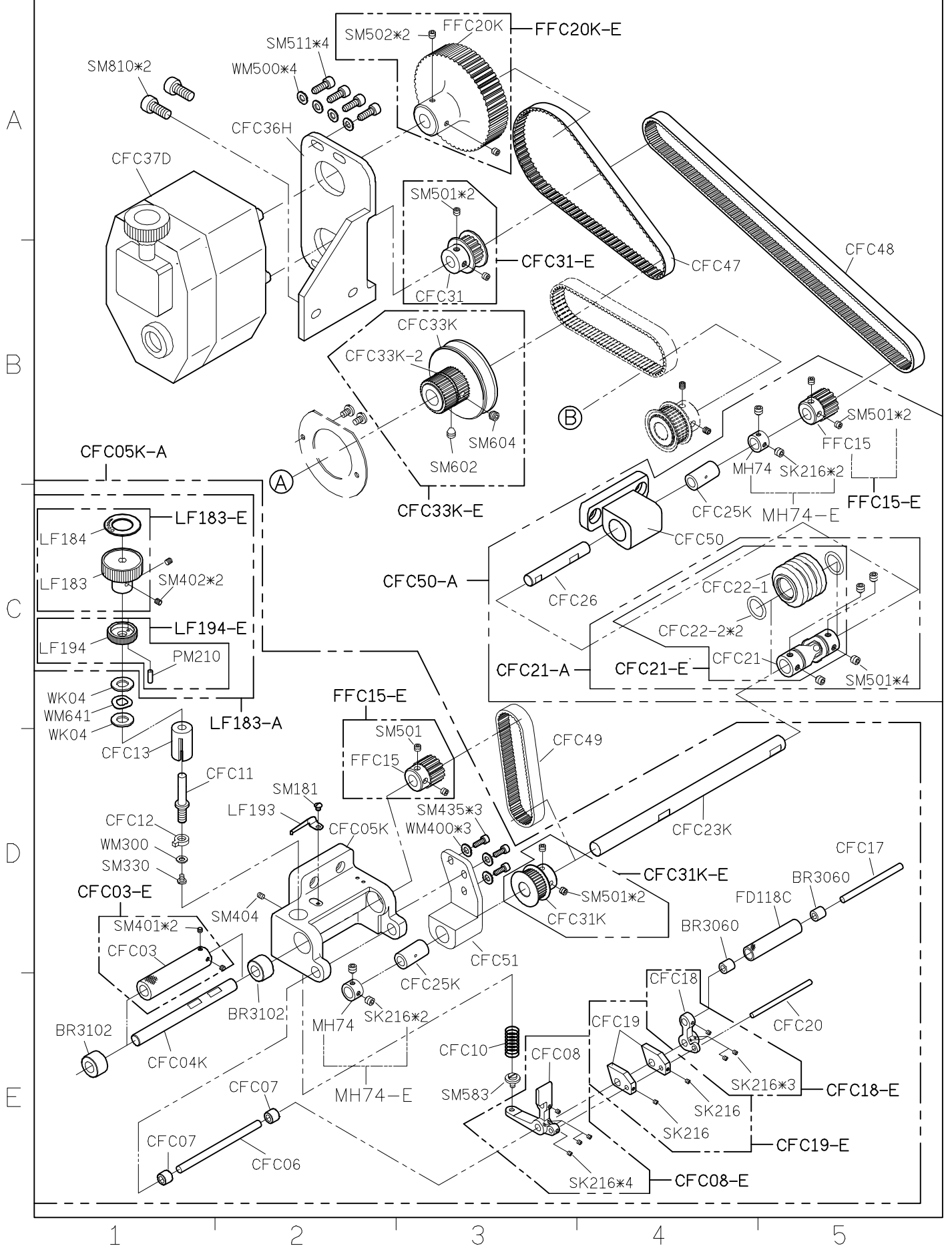


SiRUBA PARTS LIST	Series	Parts Group	Subclass / Remark	Page
	C007K/C007KD C007KP/C858K C007L/C007LX	CC-K		1/1
				Date 2016/8/29

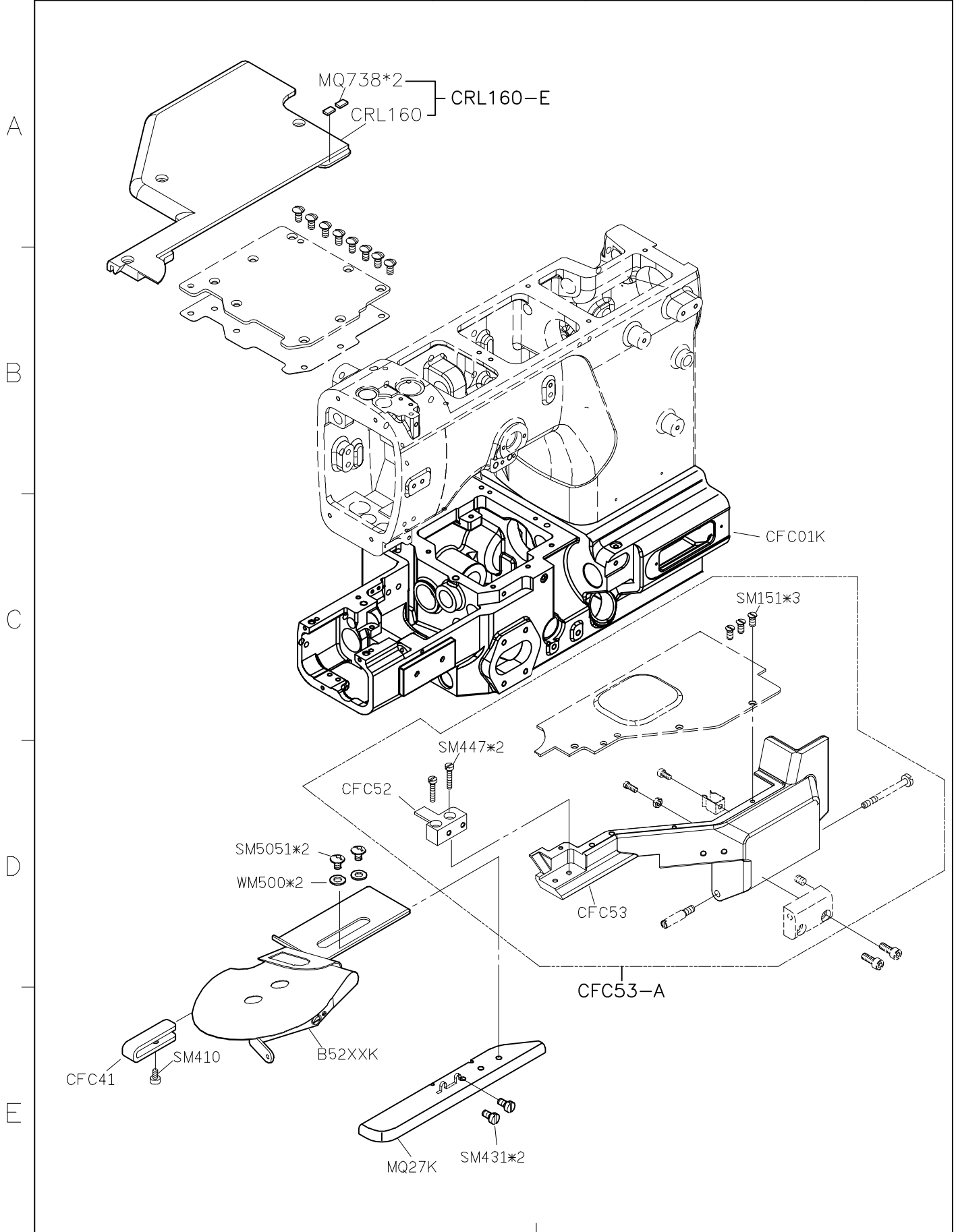


SIRUBA PARTS LIST	Series	Parts Group	Subclass / Remark	Page
	C007K/C007KD	CE-K		1/1
	C007KP/C858K			Date
	C007L/C007LX			2021/11/2





SIRUBA PARTS LIST	Series	Parts Group	Subclass / Remark	Page
	C007KP/C007K	CFC-K		2/4
				Date
				2023/12/20



1

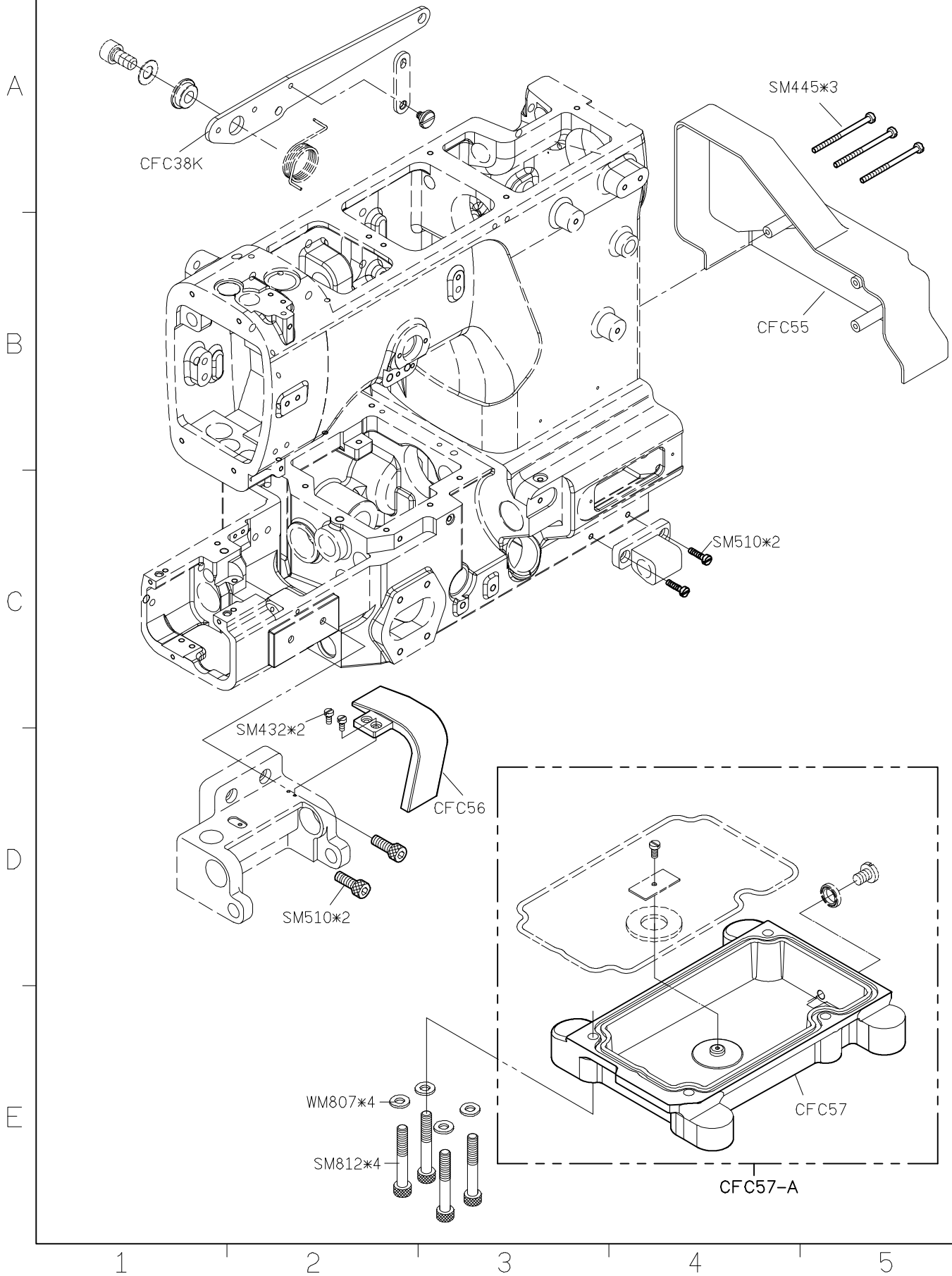
2

3

4

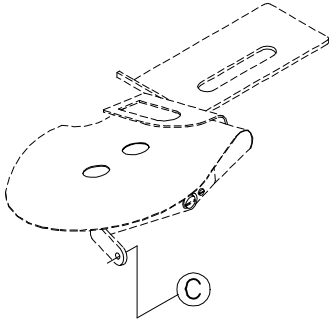
5

SIRUBA PARTS LIST	Series	Parts Group	Subclass / Remark	Page
	C007KP/C007K	CFC-K		3/4
				Date
				2023/06/08



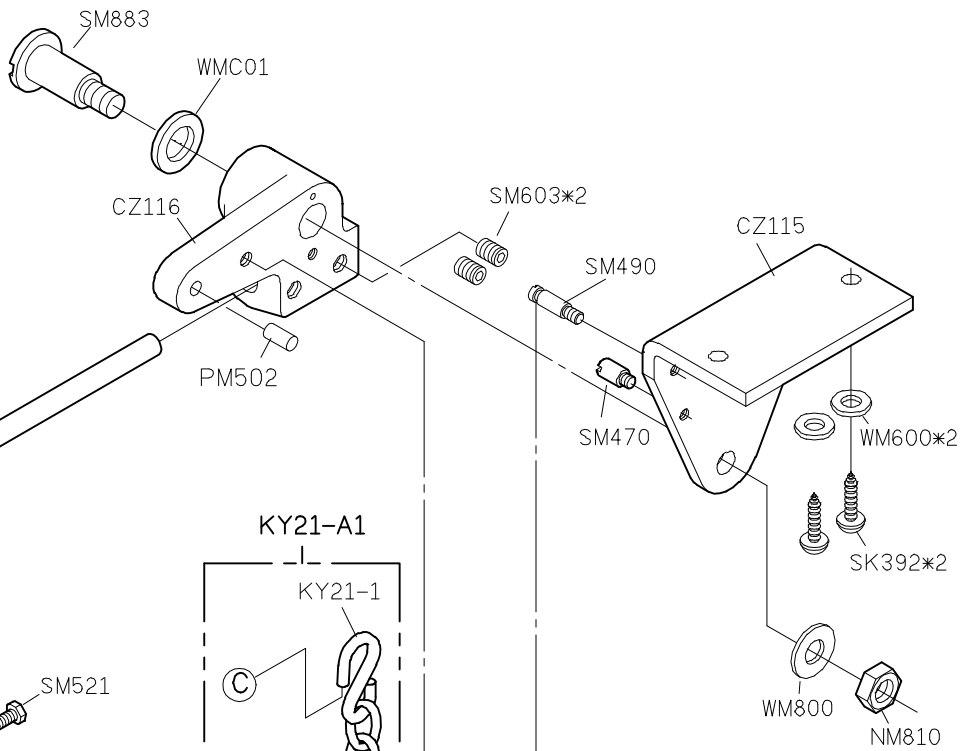
SIRUBA PARTS LIST	Series	Parts Group	Subclass / Remark	Page
	C007KP/C007K	CFC-K		4/4
				Date
				2023/12/20

A



CFC45-A

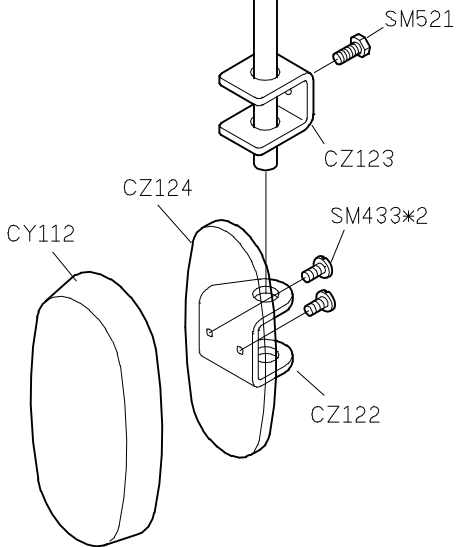
B



C

D

E



1

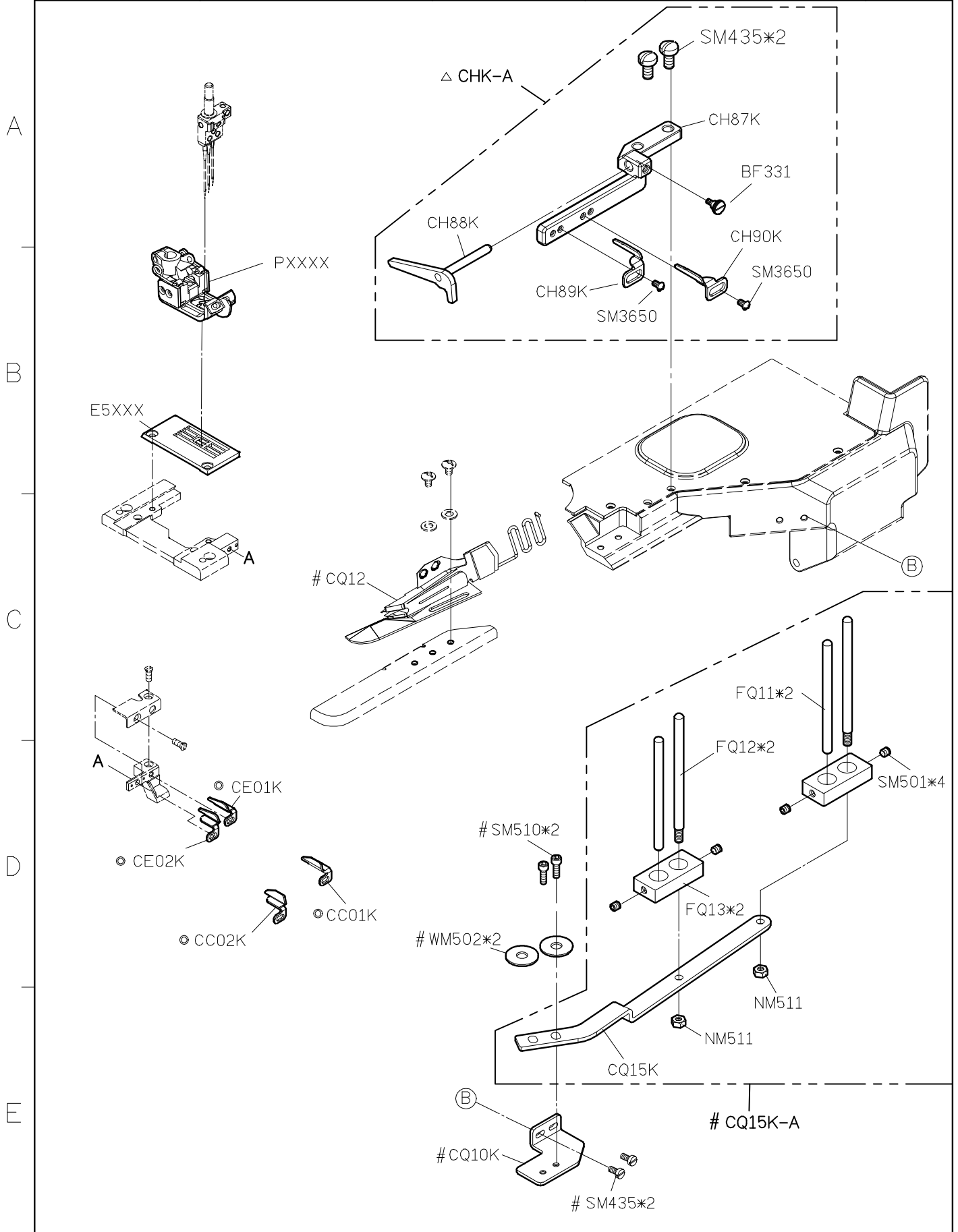
2

3

4

5

SIRUBA PARTS LIST	Series	Parts Group	Subclass / Remark	Page
	C007K/C007KD	CH-3M	○ : Use for Three in one CE	1/1
	C007KP/C858K		# : Use for Three in one CQ	Date
C007L/C007LX	△ : Use for Three in one CH		2021/1/28	



1

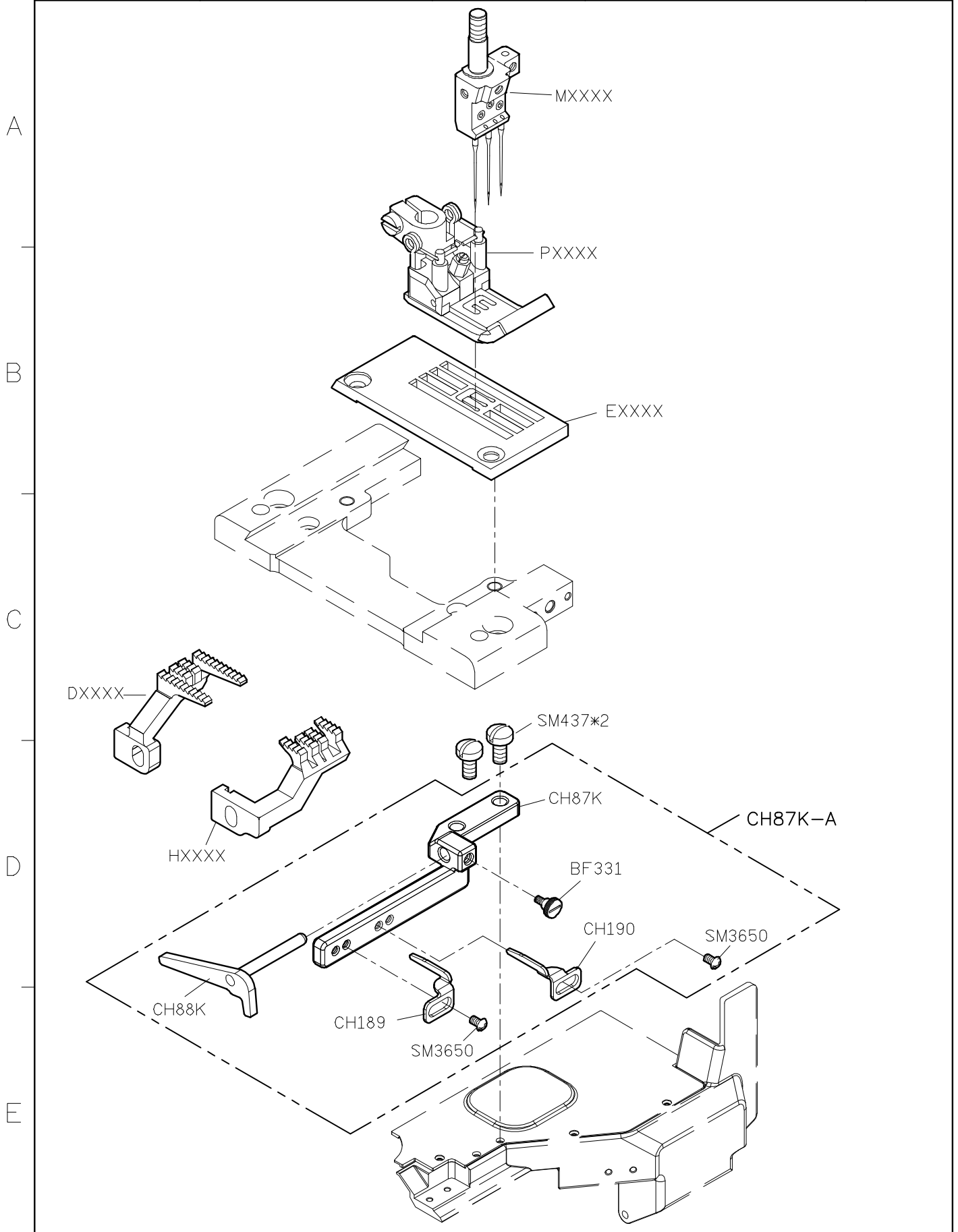
2

3

4

5

SiRUBA PARTS LIST	Series	Parts Group	Subclass / Remark	Page
	C007K/C007KD C858K/C007KP C007L/C007LX	CH-K		1/1
			Date	
				2018/4/18



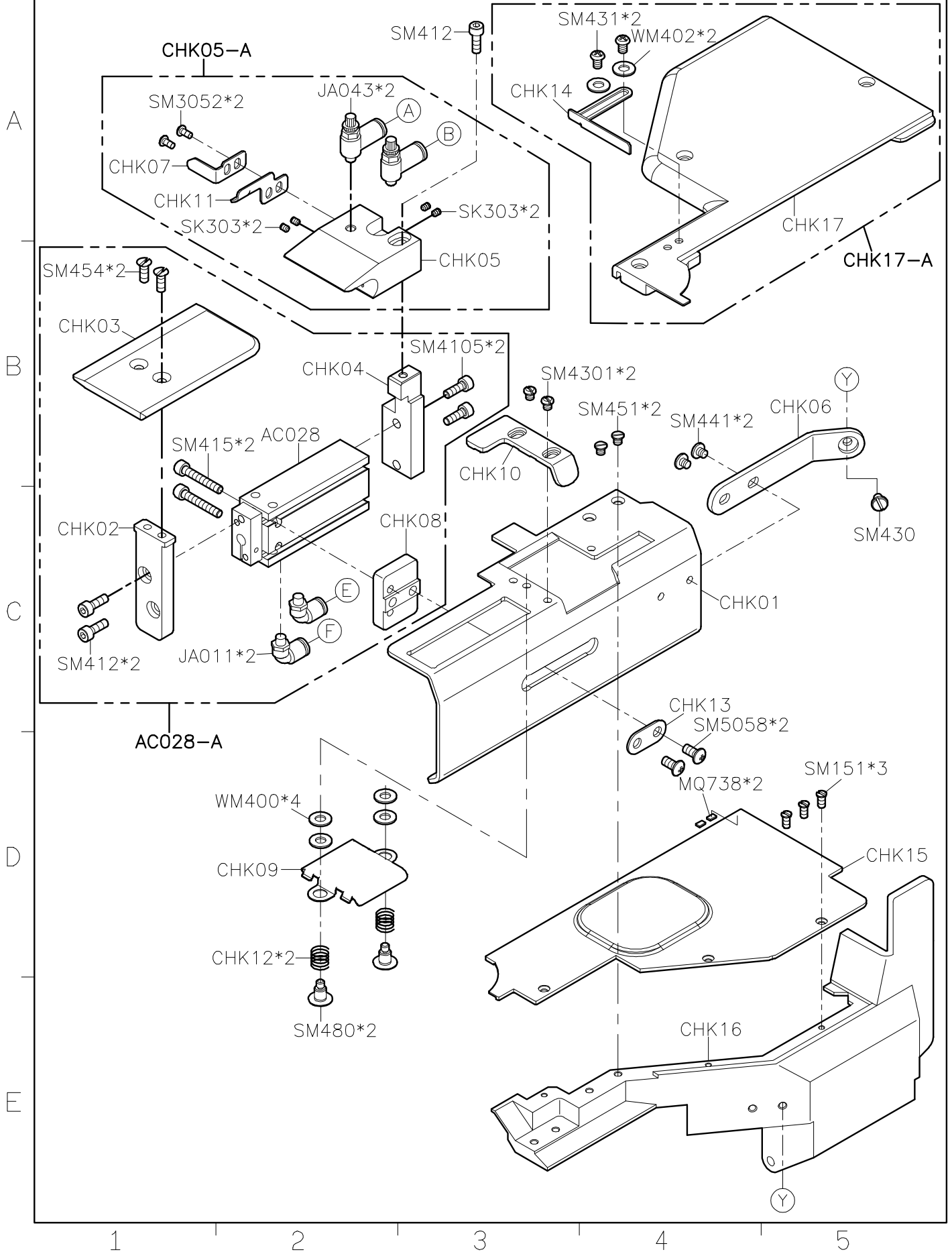
1

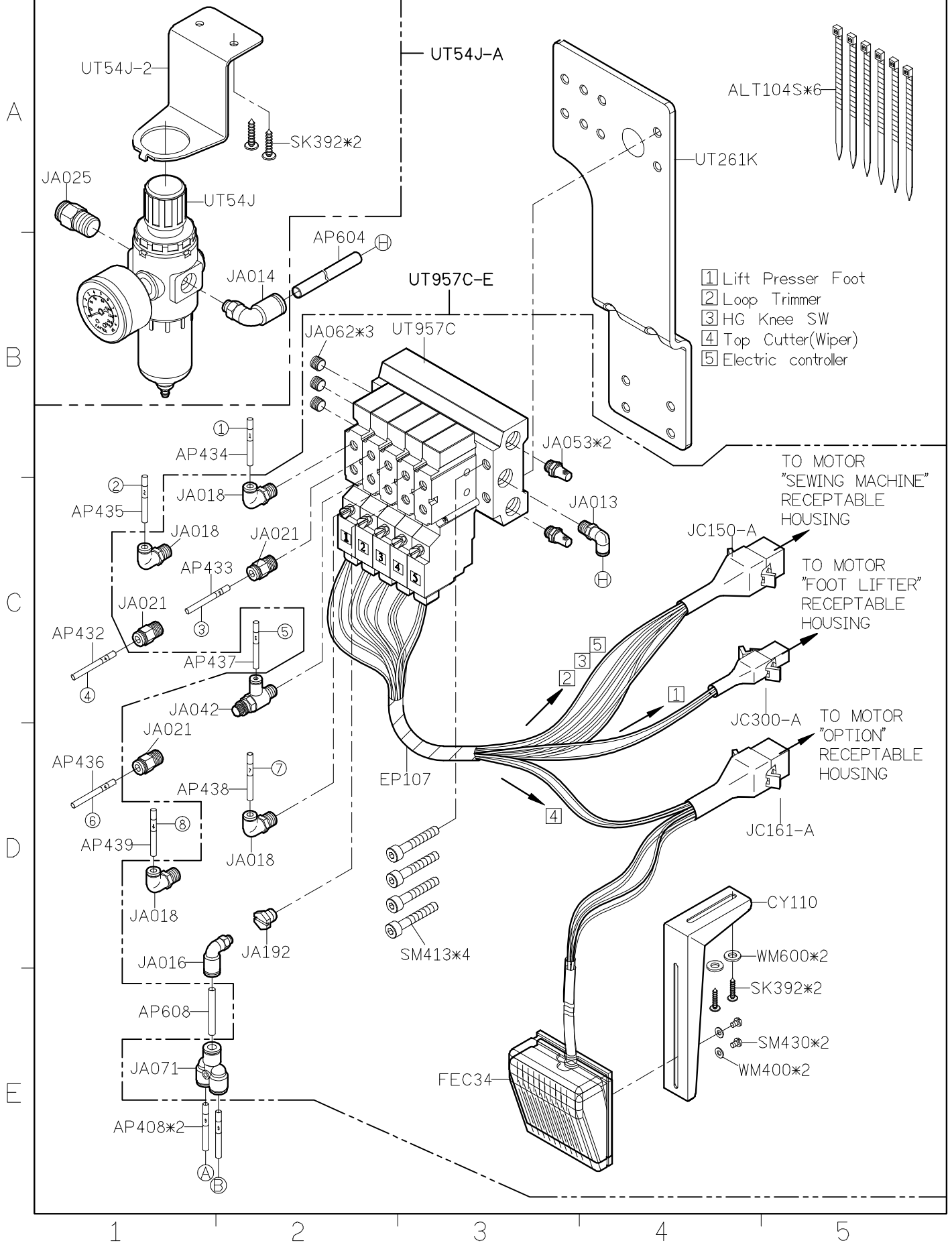
2

3

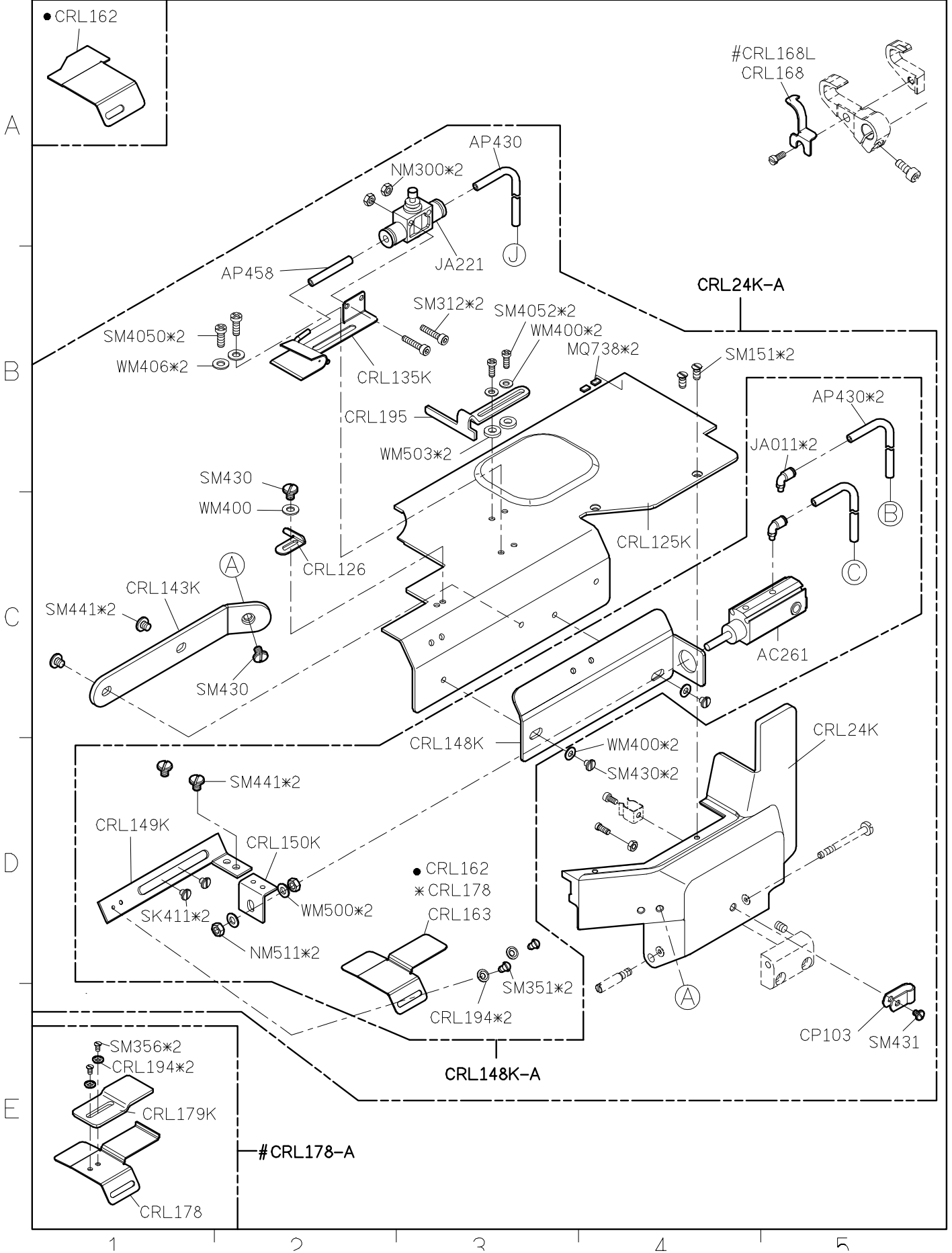
4

5





SIRUBA PARTS LIST	Series	Parts Group	Subclass / Remark	Page
	C007KP/C007K	CHP(CY) /UTP-K	Note : Type CHP is collocated with UTP ● : Use for general machine to re-equip # : Use for CY to re-equip	1/2
	C858K			Date
				2021/8/25



1

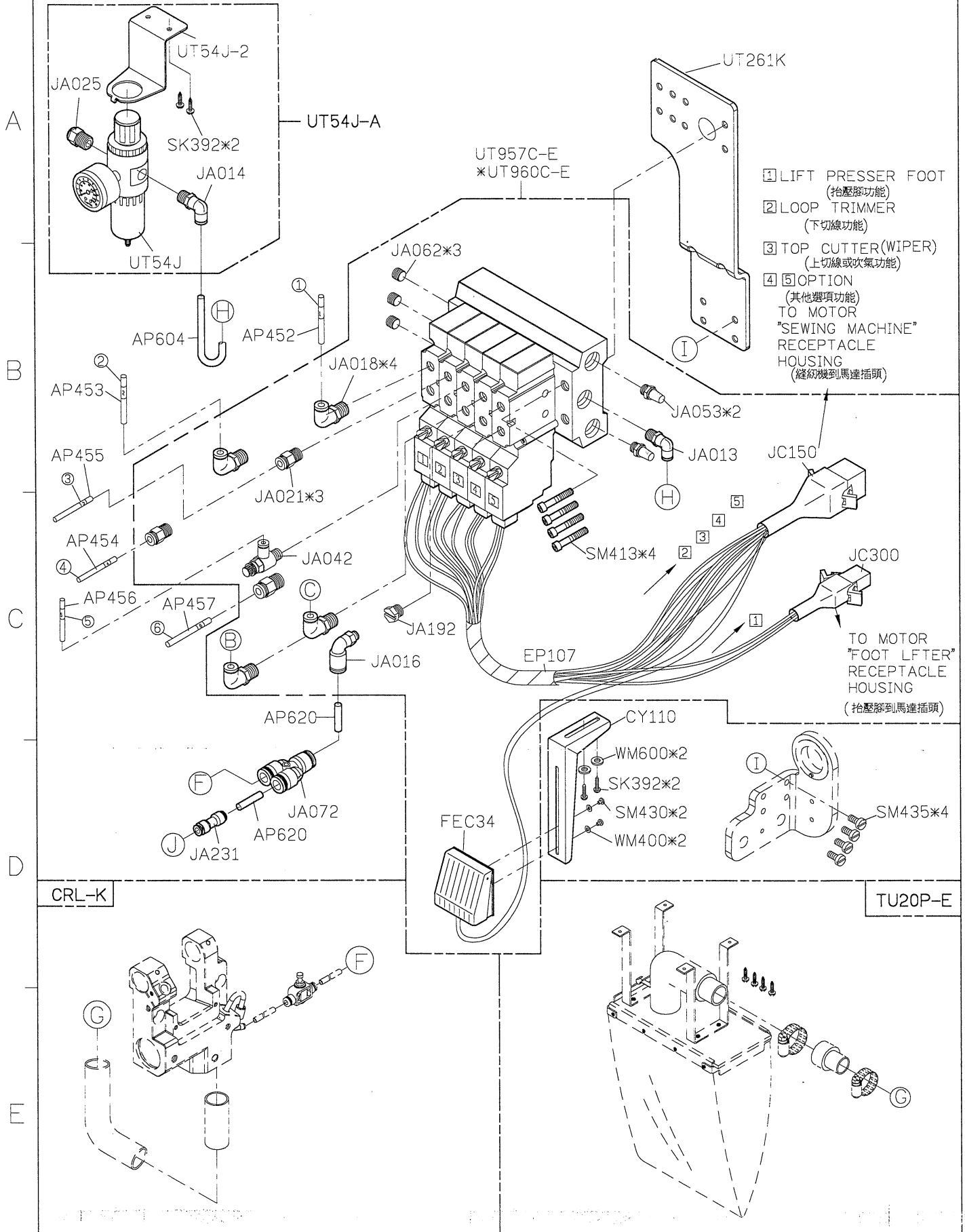
2

3

4

5

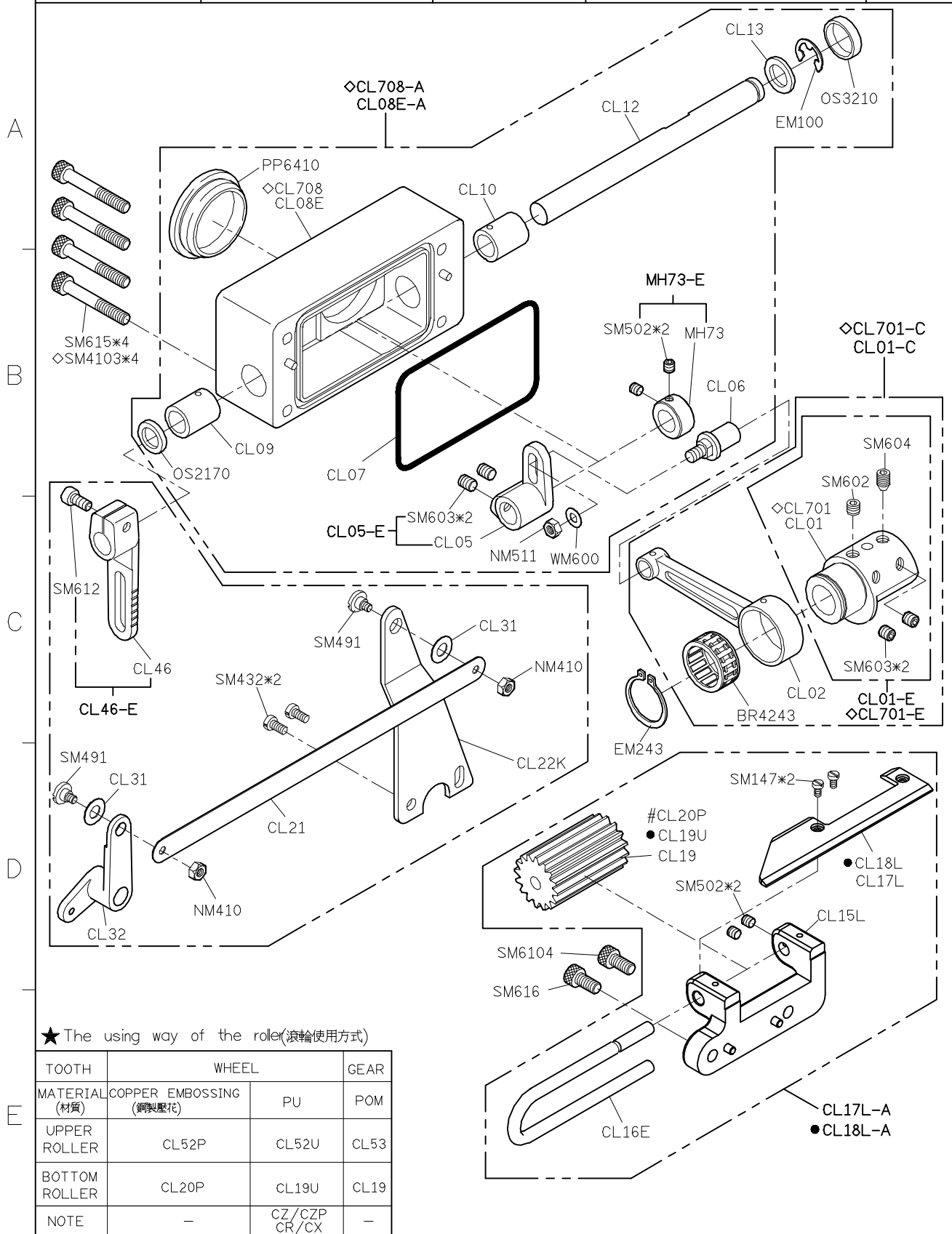
SIRUBA PARTS LIST	Series	Parts Group	Subclass / Remark	Page
	C007KP/C007K C858K	CHP(CY) /UTP-K	i70M * : i60S.DCT101ADE	2/2
				Date 2019/09/17



CRL-K

TU20P-E

SIRUBA PARTS LIST	Series	Parts Group	Subclass / Remark	Page
	C007L/C007Lx C007KP	CL CLA	● : Use for CLA ◇ : Use for C007L/C007Lx-CL/CLA # : Use for allocation	1/2
				Date
				2024/08/02



★ The using way of the roller(滾輪使用方式)

	WHEEL		GEAR
MATERIAL (材質)	COPPER EMBOSING (銅製壓花)	PU	POM
UPPER ROLLER	CL52P	CL52U	CL53
BOTTOM ROLLER	CL20P	CL19U	CL19
NOTE	-	CZ/CZP CR/CX	-

1

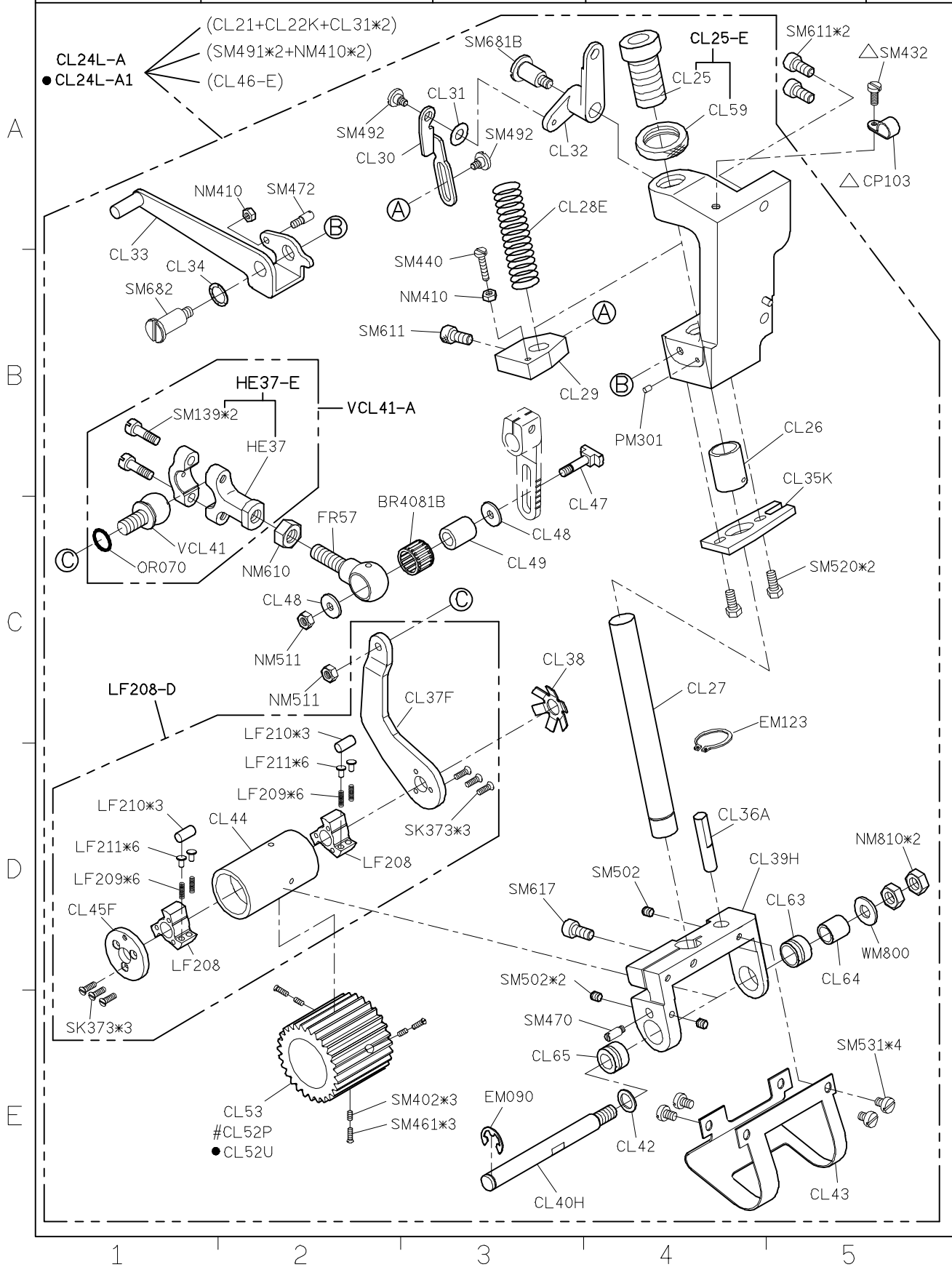
2

3

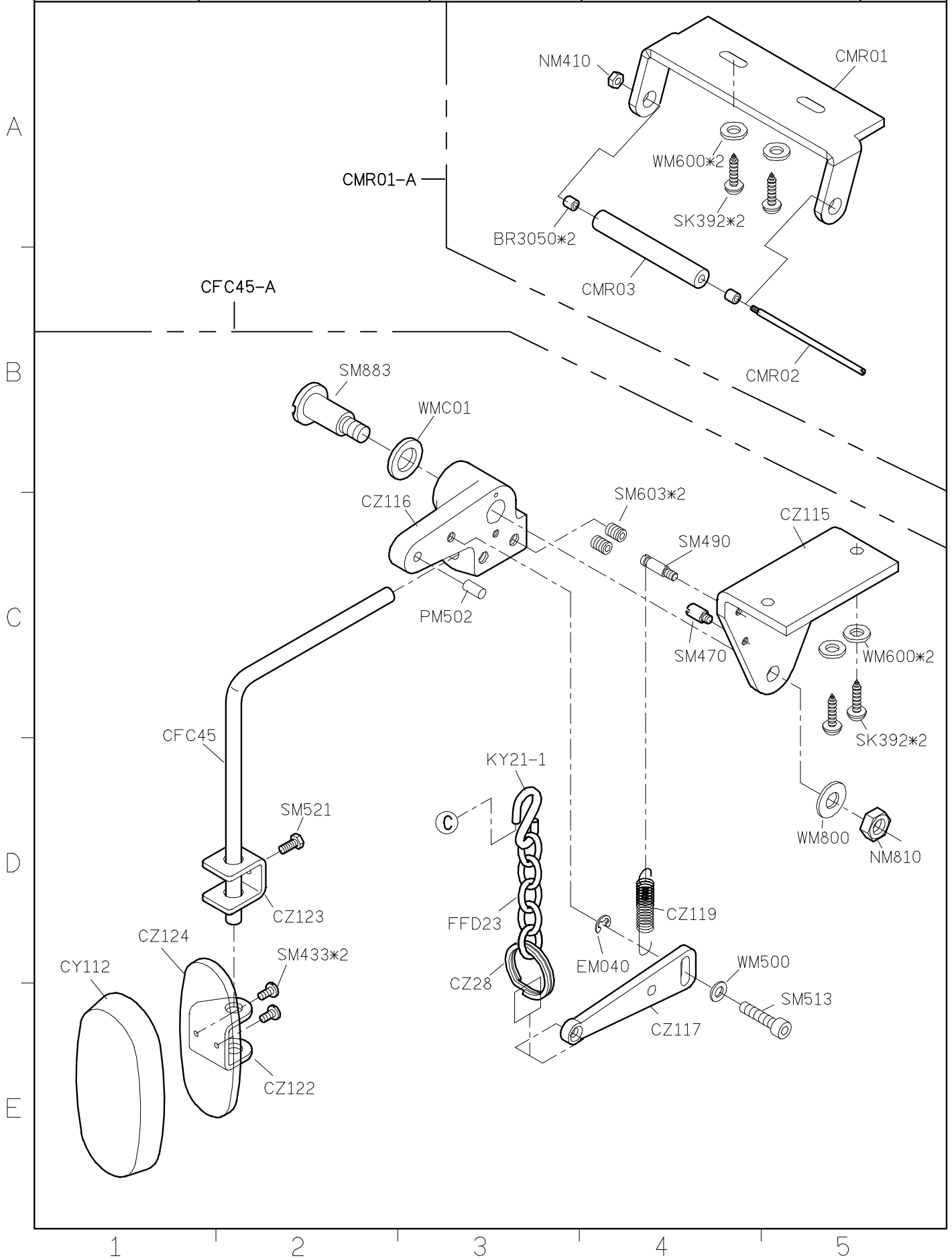
4

5

SIRUBA PARTS LIST	Series	Parts Group	Subclass / Remark	Page
	C007L/C007Lx	CL	● : Use for CLA	2/2
	C007KP	CLA	△ : Use for UTP/UTQ	Date
			# : Use for allocation	2024/08/02



SIRUBA PARTS LIST	Series	Parts Group	Subclass / Remark	Page
	C007K/C007KD	CMR-K		1/1
	C007KP/C858K			Date
	S007K/S007KD			2018/8/29



SIRUBA
PARTS LIST

Series
C007K/C007KD
C858K/C007KP

Parts Group
CR-K

Subclass / Remark

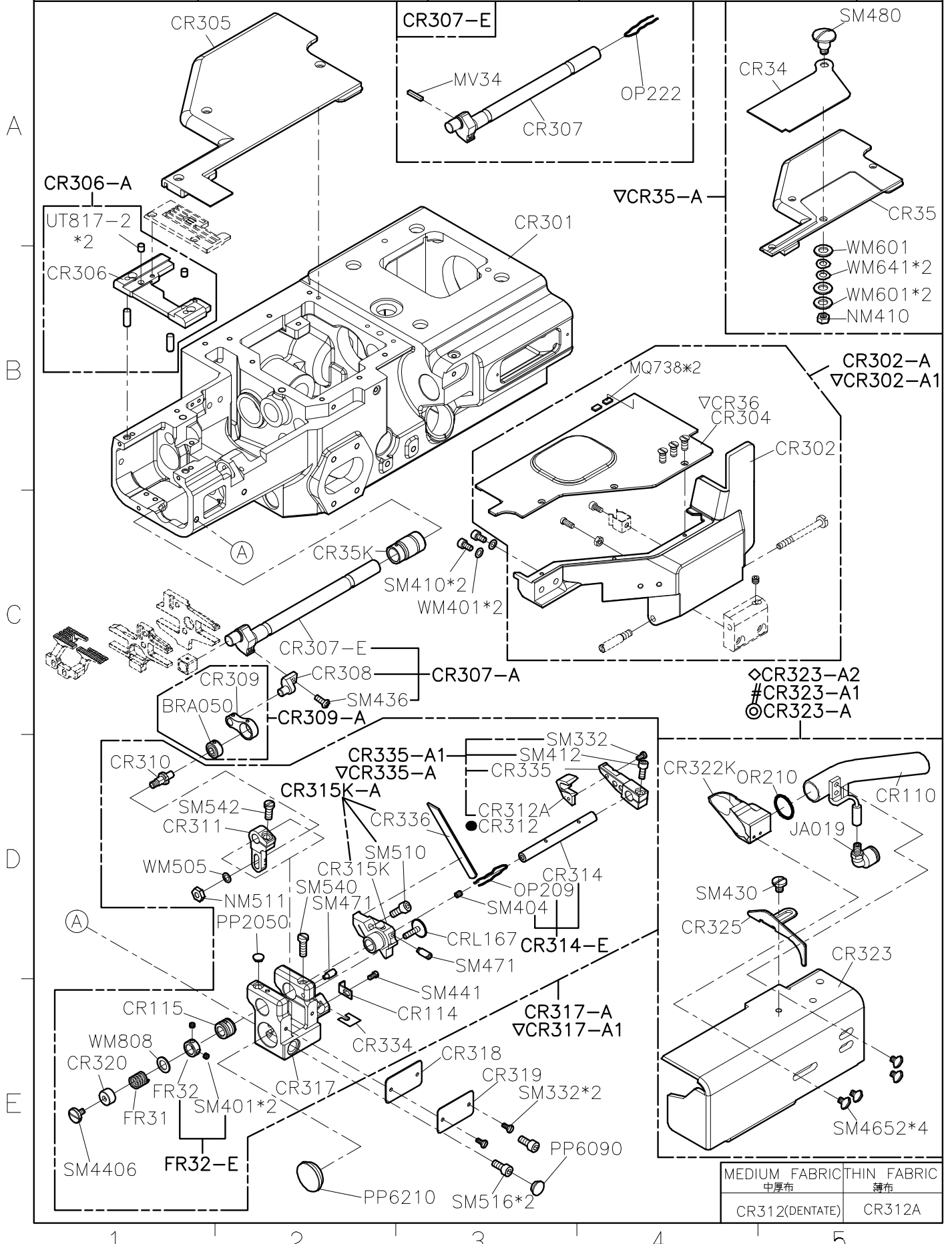
- ◇ : Use for Basic CR
- # : Use for CX
- ◎ : Use for CR/CX
- ▽ : Use for attach FFC
- : Use for allocation

Page

1/3

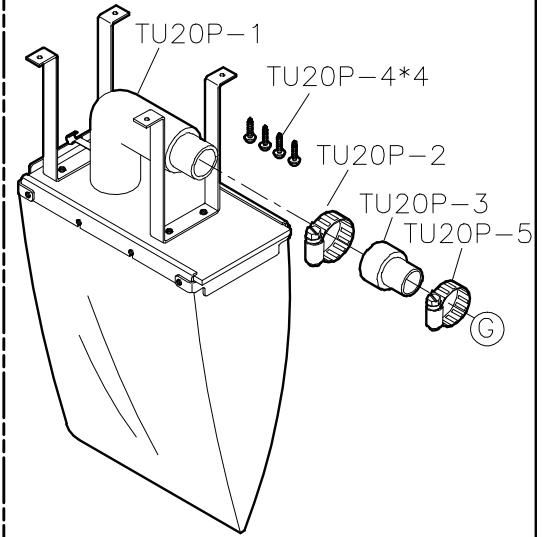
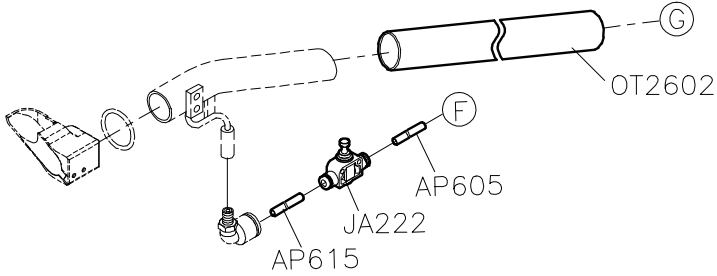
Date

2022/5/25



SIRUBA PARTS LIST	Series	Parts Group	Subclass / Remark	Page
	C007K/C007KD	CR-K	* : UTP/UTQ is not collocatec with	2/3
	C007L/C007LX			Date
	C858K/C007KP			2021/8/24

A

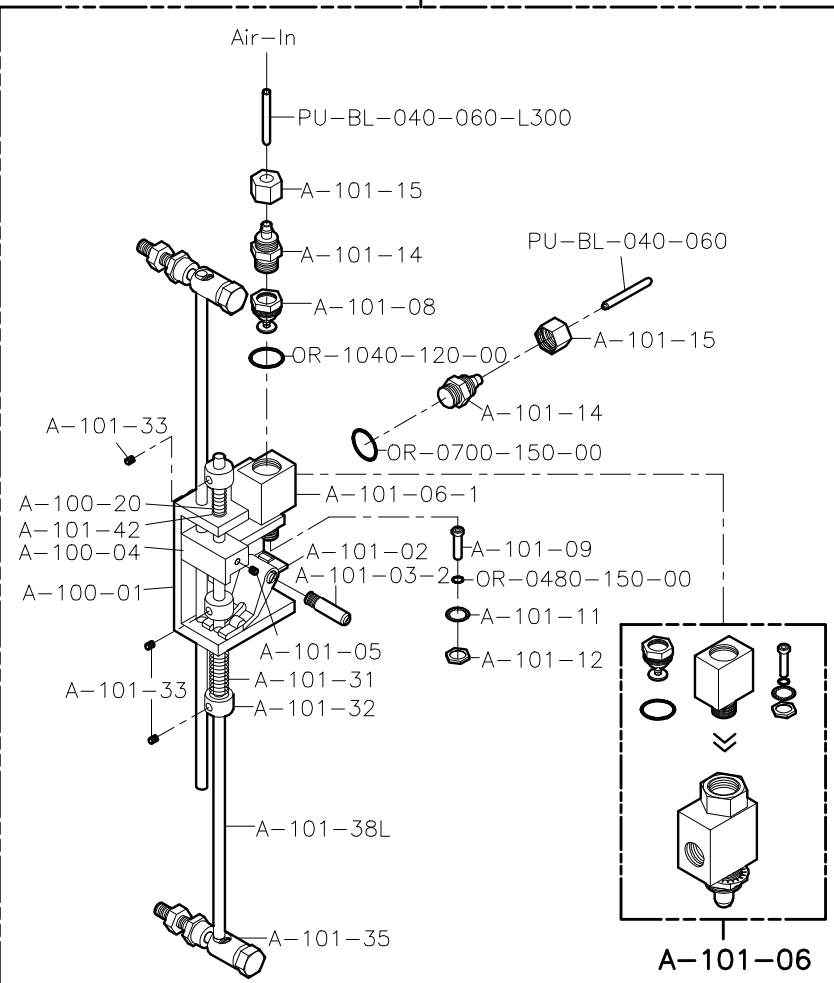


B

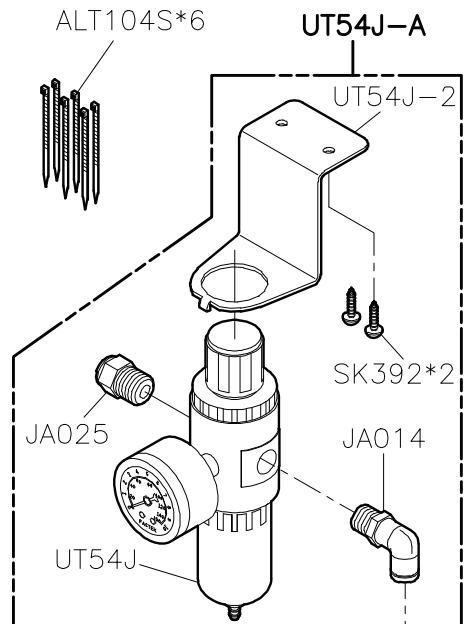
*A-100ST-E

TU20P-E

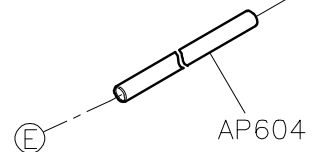
C



D



E



1

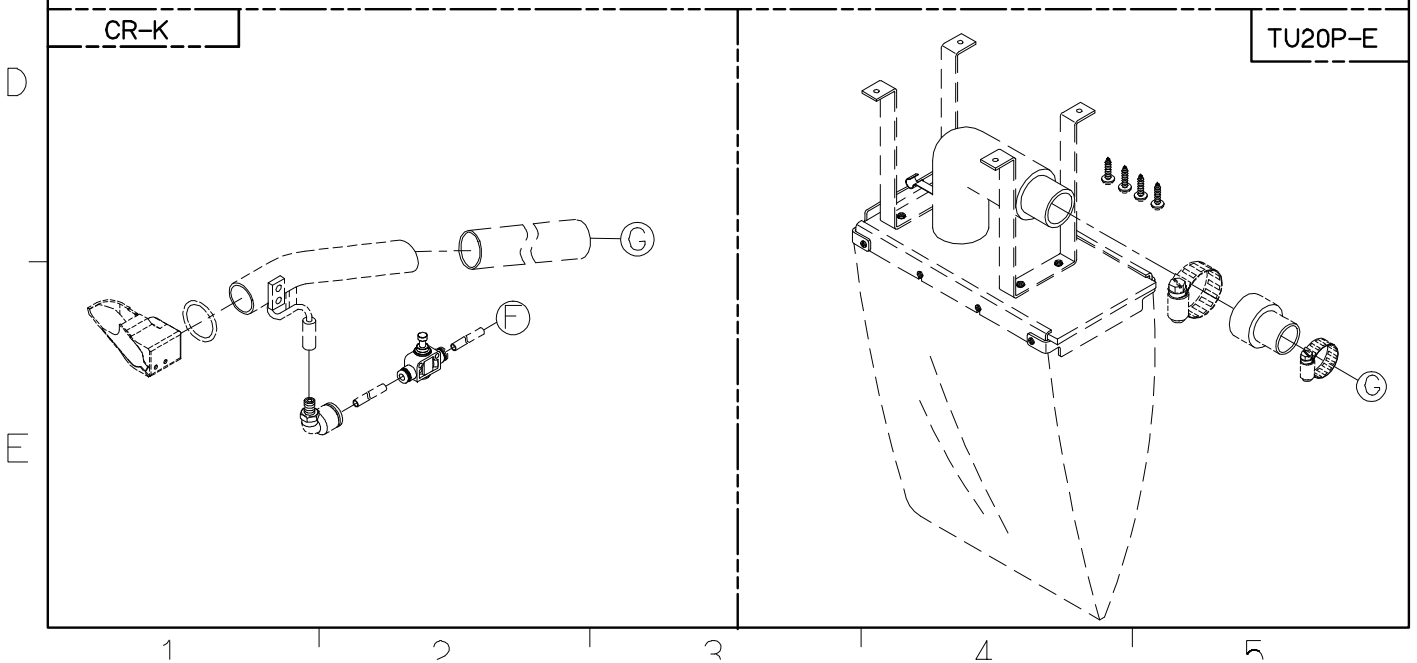
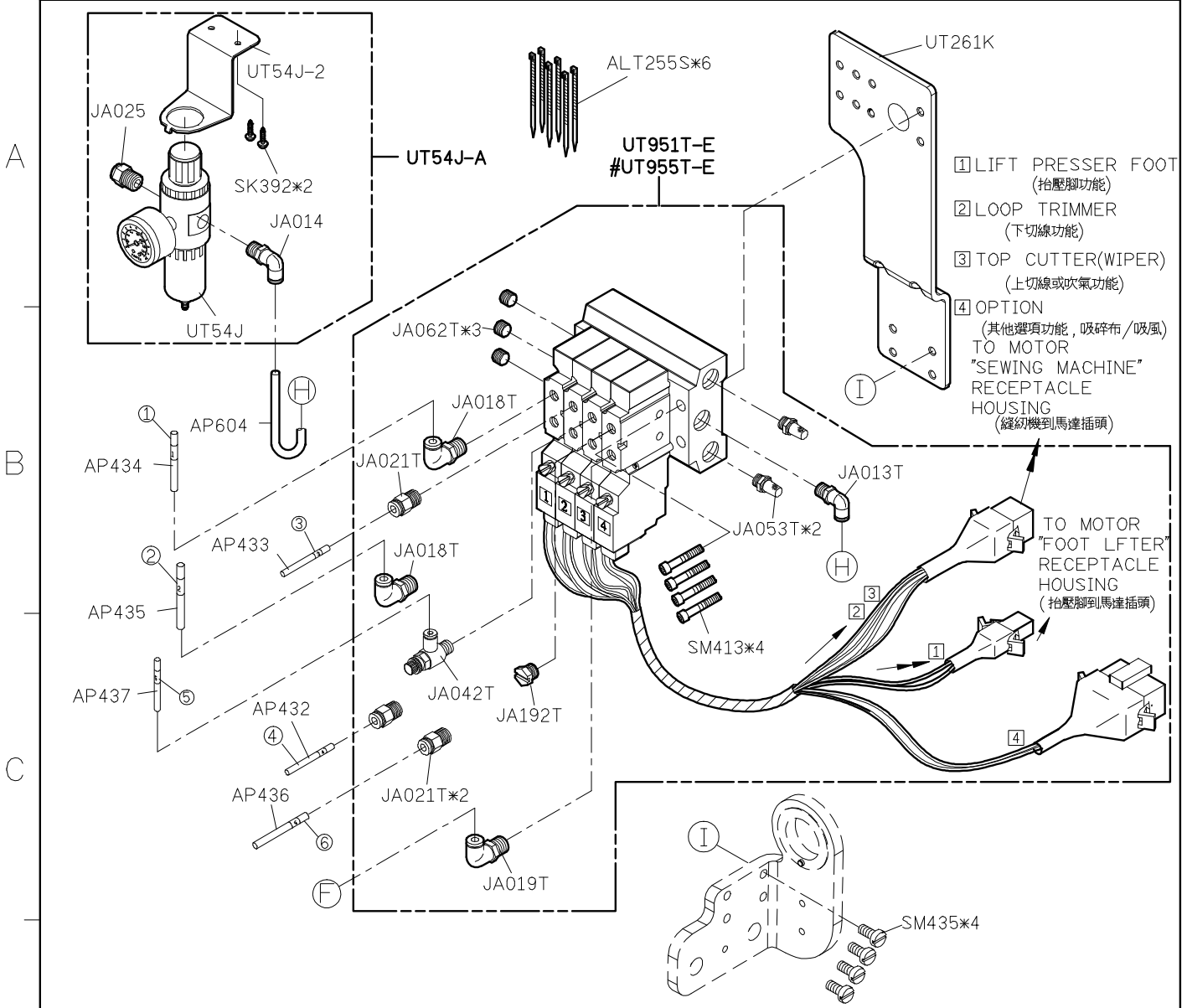
2

3

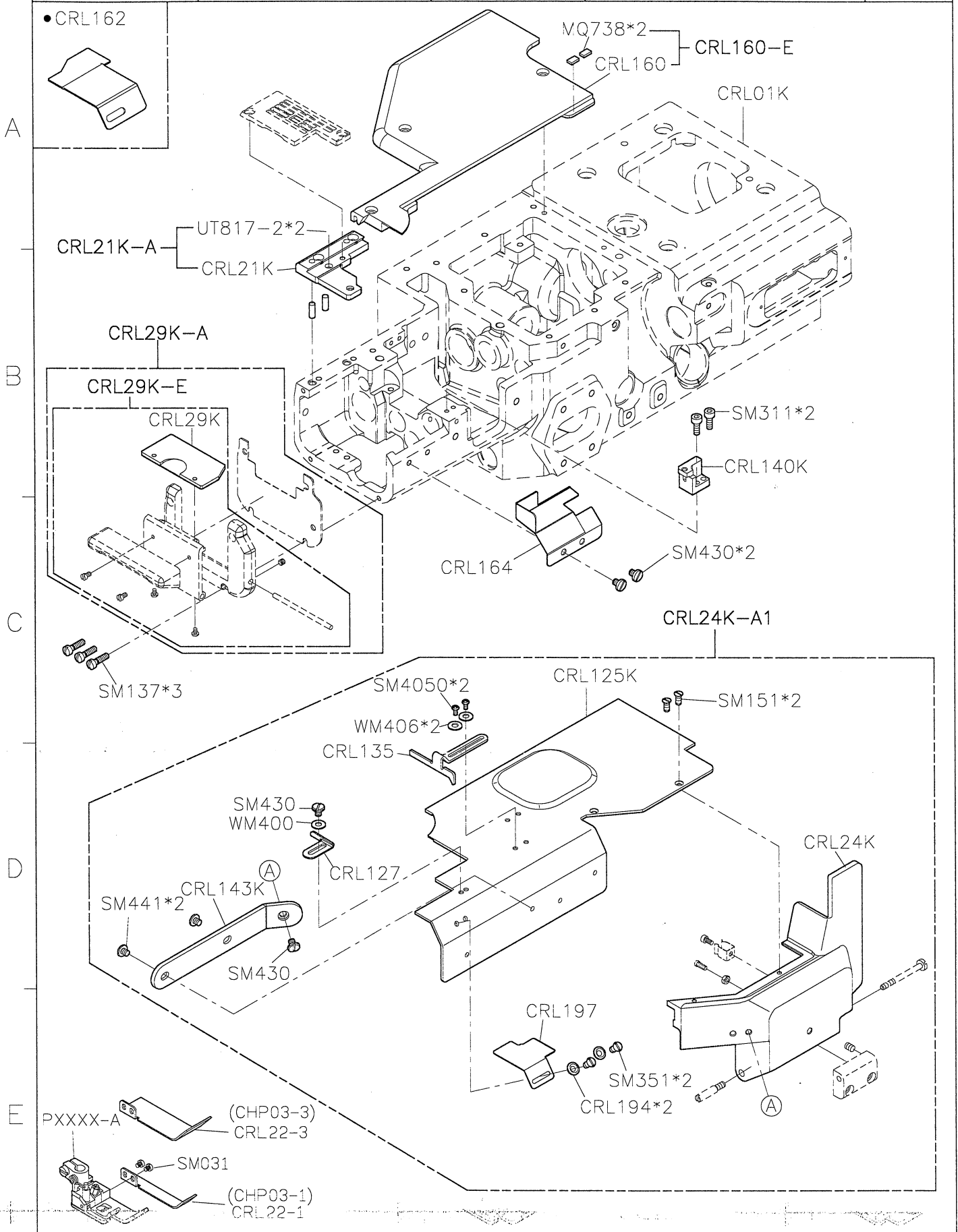
4

5

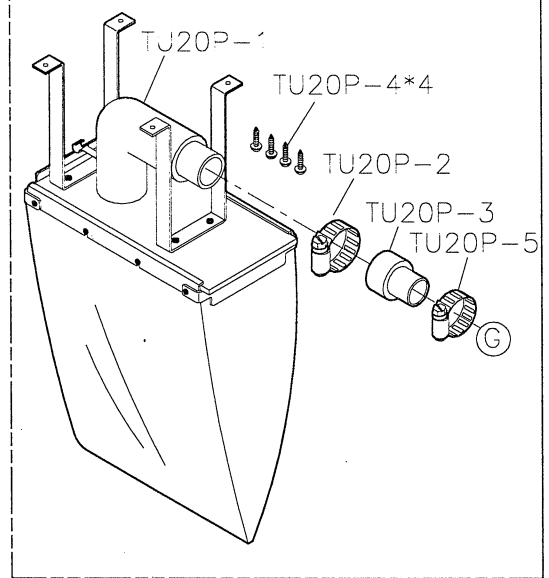
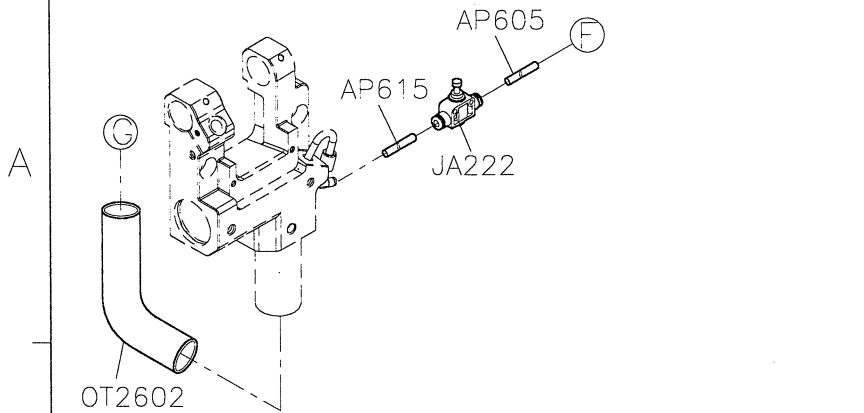
SIRUBA PARTS LIST	Series C007K/C007KD C858K/C007KP	Parts Group CR-K	Subclass / Remark I70M.I60S #: 1.DCT101ADE-E 2.Use for C007KD-CR(CX)	Page 3/3
				Date 2022/5/25



SIRUBA PARTS LIST	Series	Parts Group	Subclass / Remark	Page
	C007KP/C007K C858K	CRL-K	• : Use for general machine to re-equip	2/4
				Date 2019/09/17

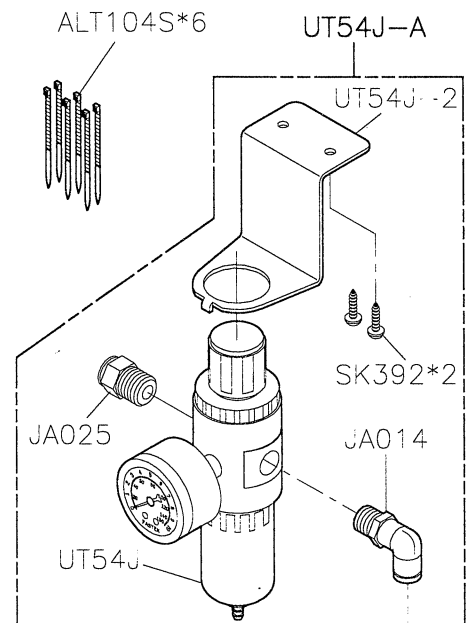
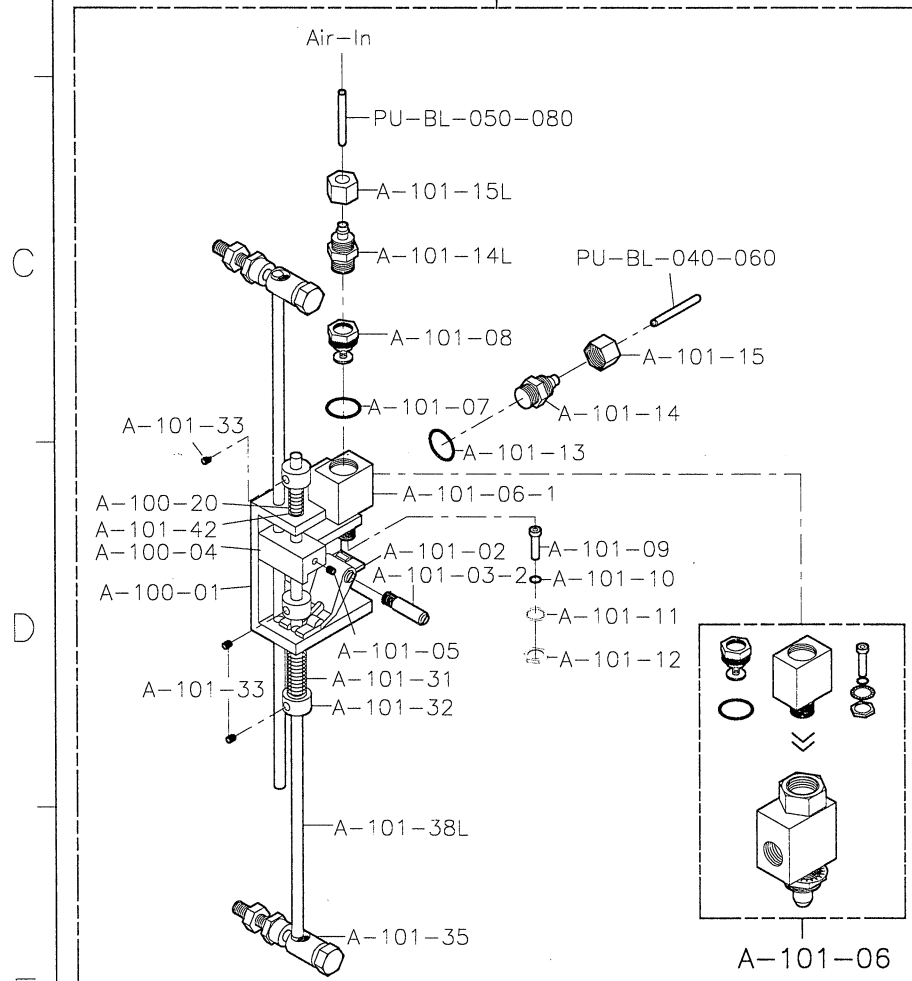


SIRUBA PARTS LIST	Series	Parts Group	Subclass / Remark	Page
	C007KP/C007K C858K	CRL-K	* : UTP/UTQ is not collocathec with	3/4
				Date 2019/09/17



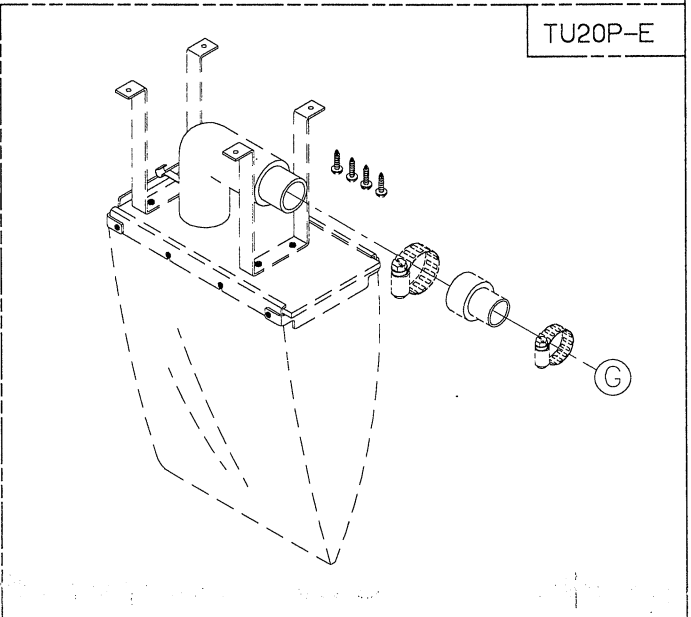
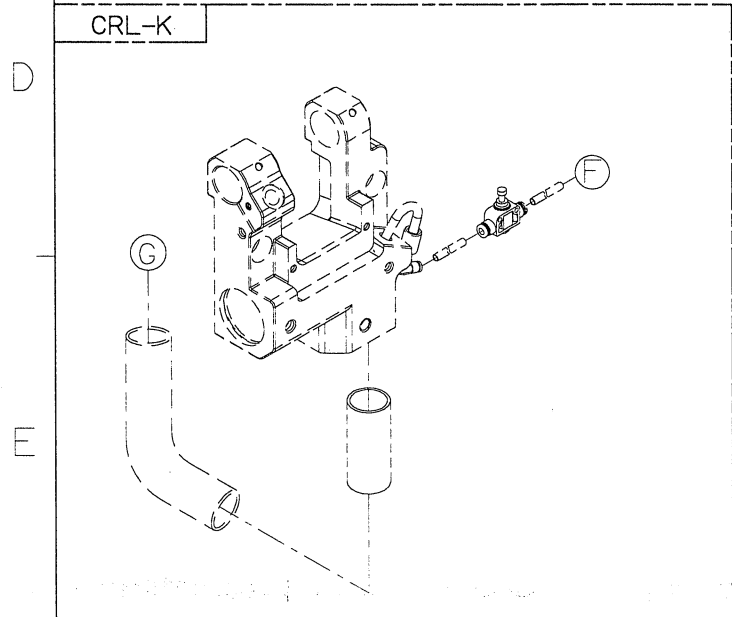
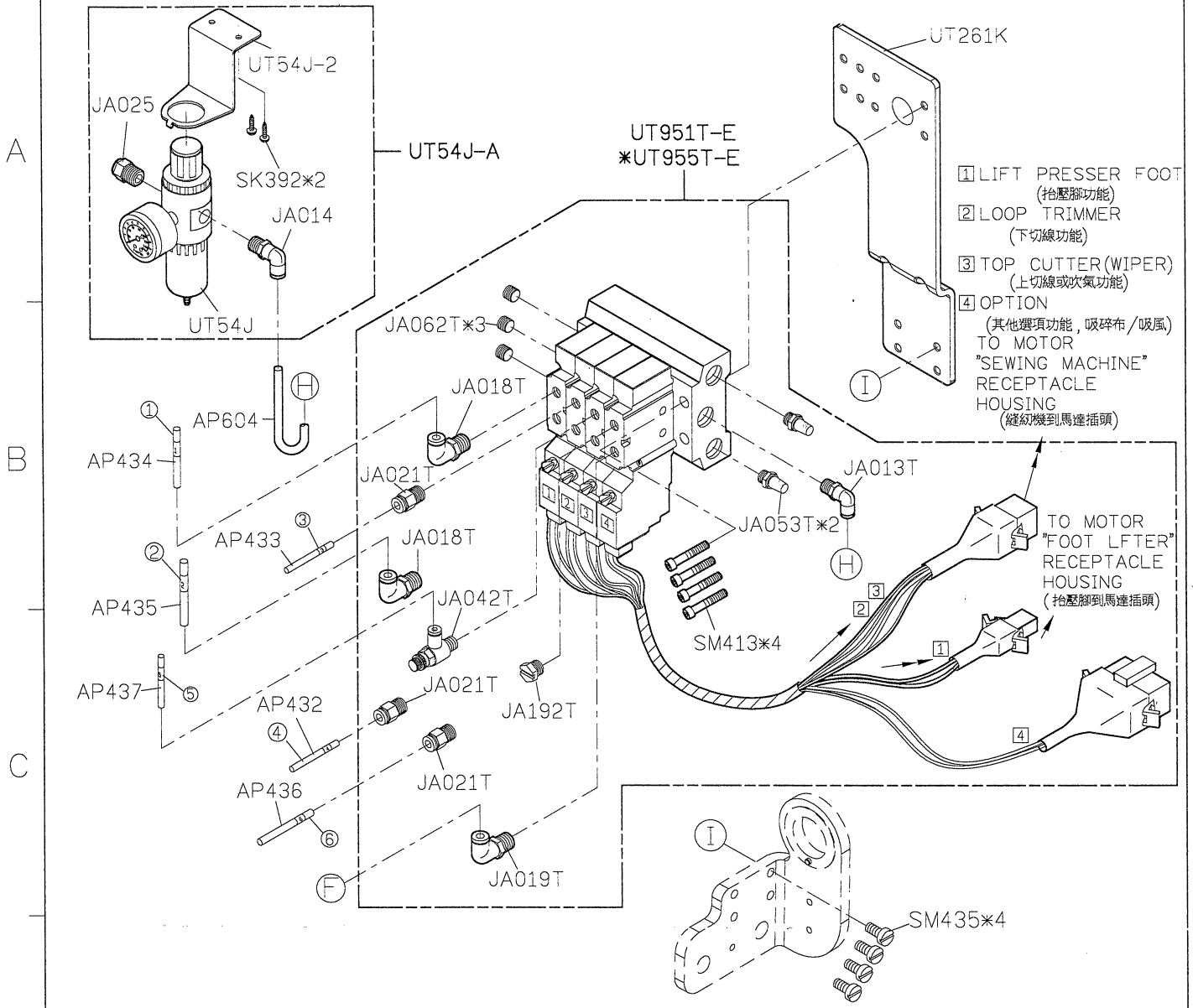
*A-100ST

TU20P-E



AP604 (E)

SIRUBA PARTS LIST	Series	Parts Group	Subclass / Remark	Page
	C007KP/C007K C858K	CRL-K	H i70M.i60S.DCP101ADE * : T=DCT101ADE	4/4
				Date
				2019/09/17



SIRUBA PARTS LIST	Series	Parts Group	Subclass / Remark	Page
	C007K/C007KD	CW-K		1/4
	C007KP/C858K			Date
	C007L/C007LX			2021/1/28

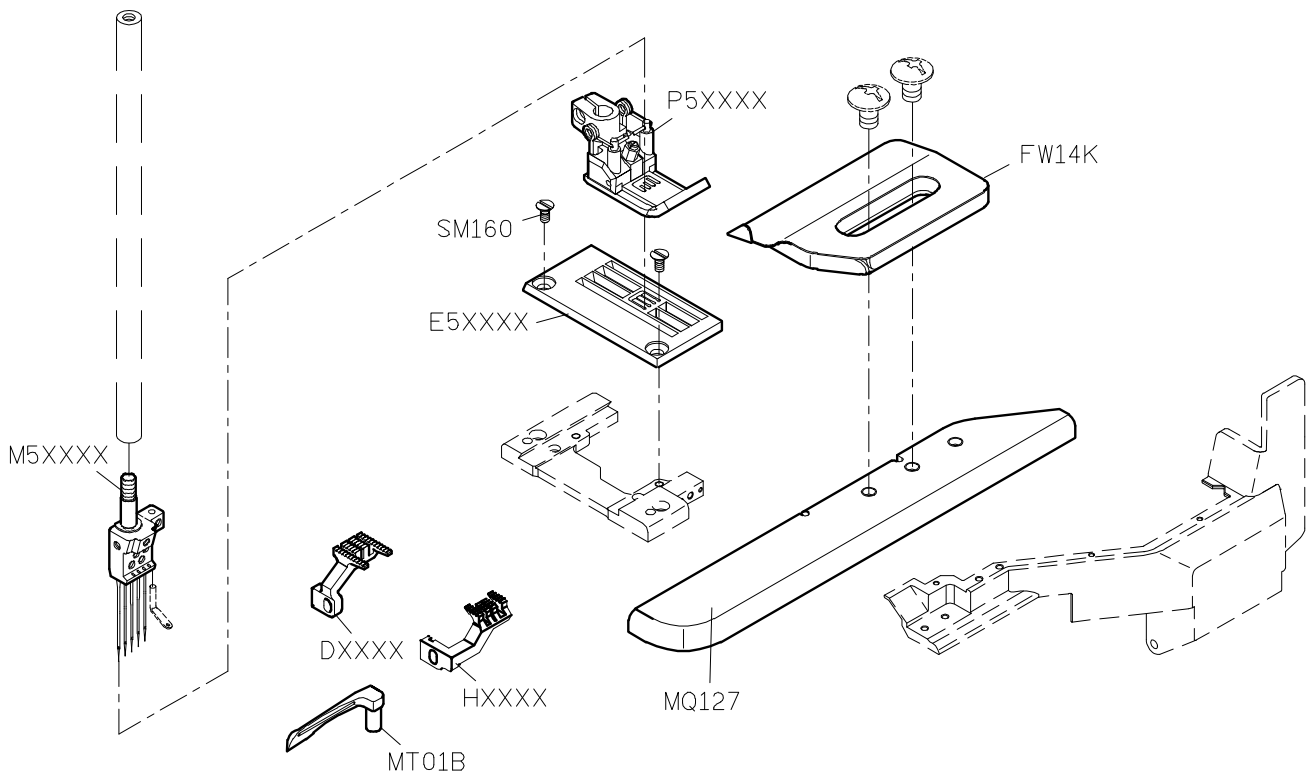
A

B

C

D

E



1

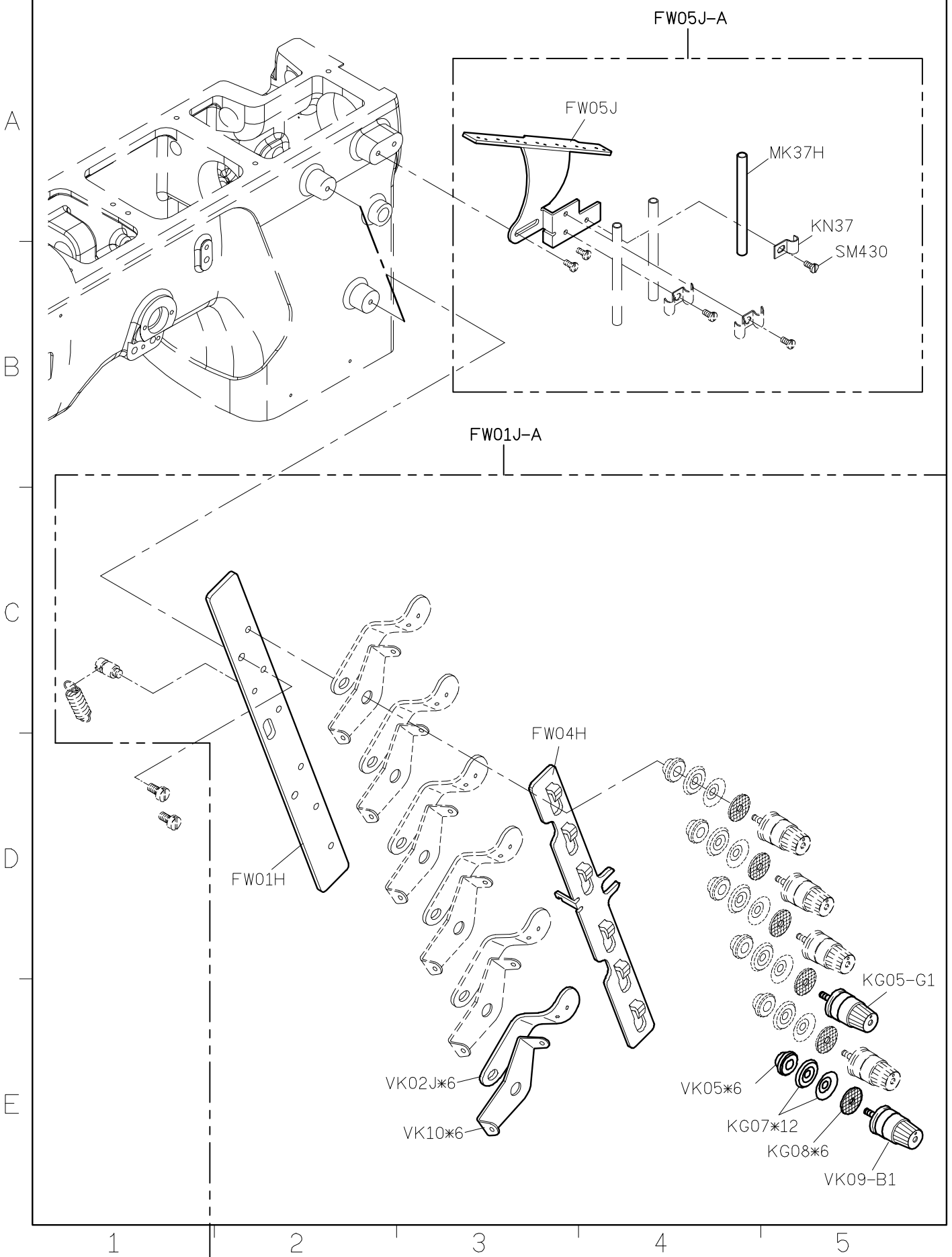
2

3

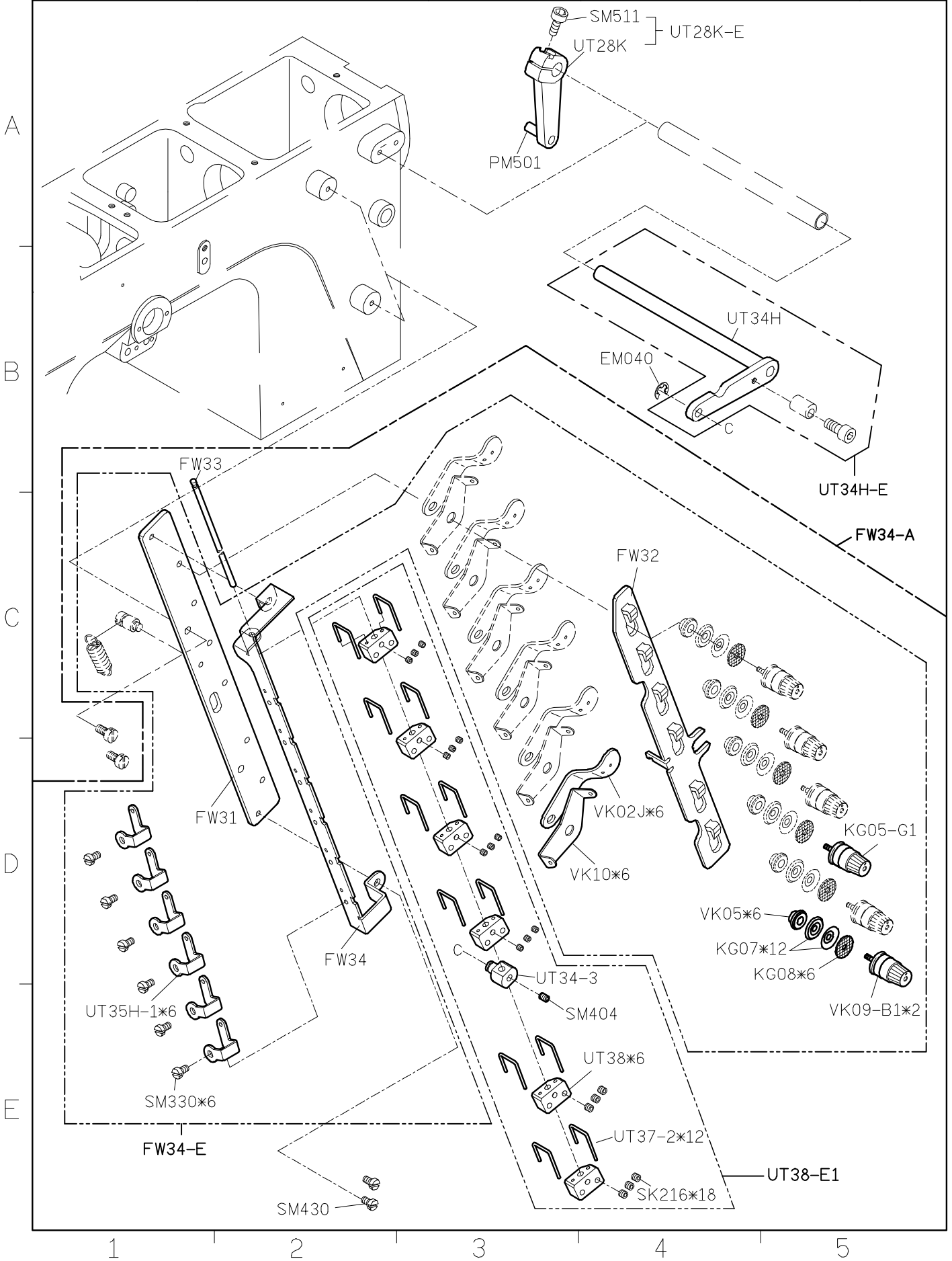
4

5

SIRUBA PARTS LIST	Series	Parts Group	Subclass / Remark	Page
	C007K/C007KD	CW-K		2/4
	C007KP/C858K			Date
	C007L/C007LX			2021/1/28

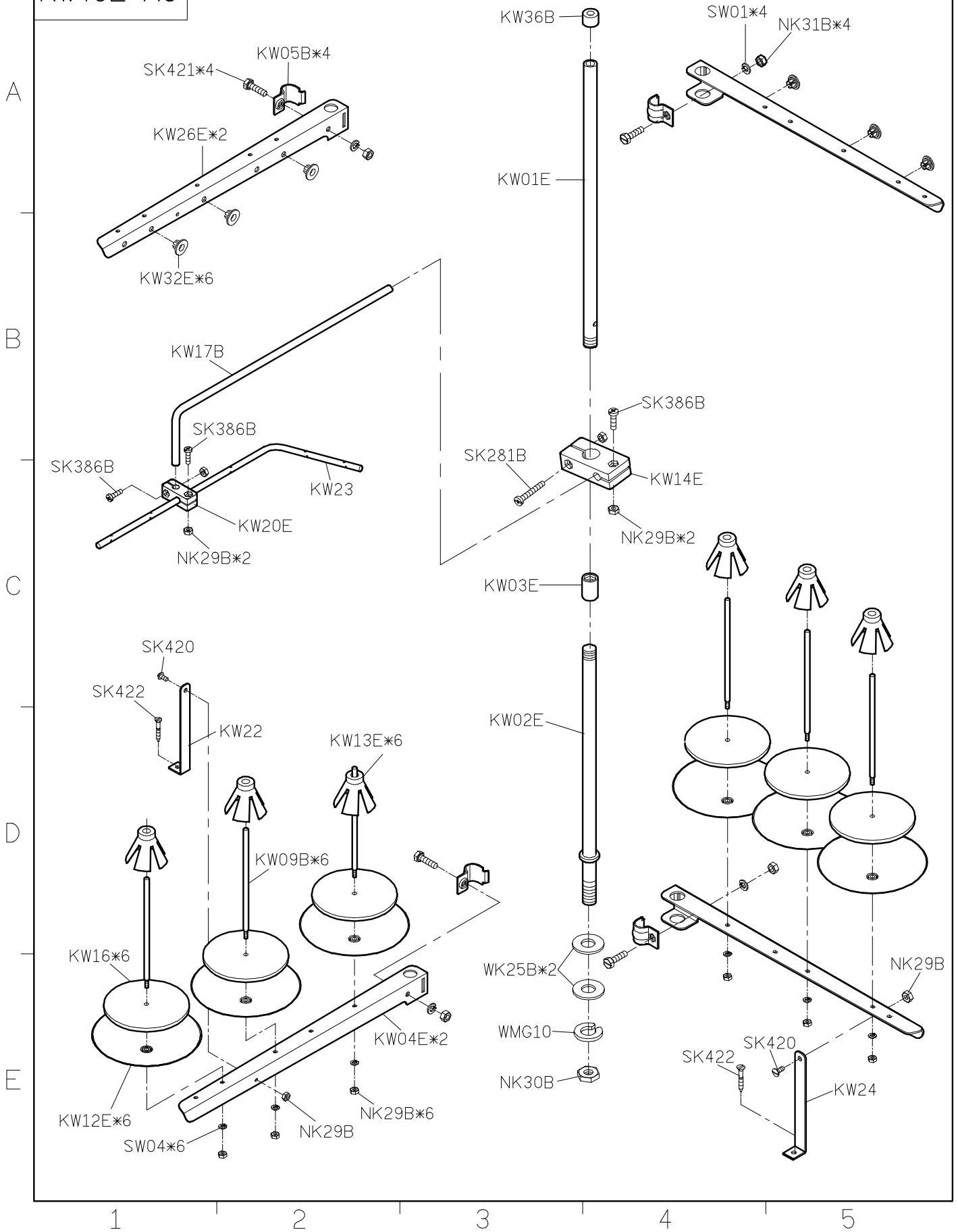


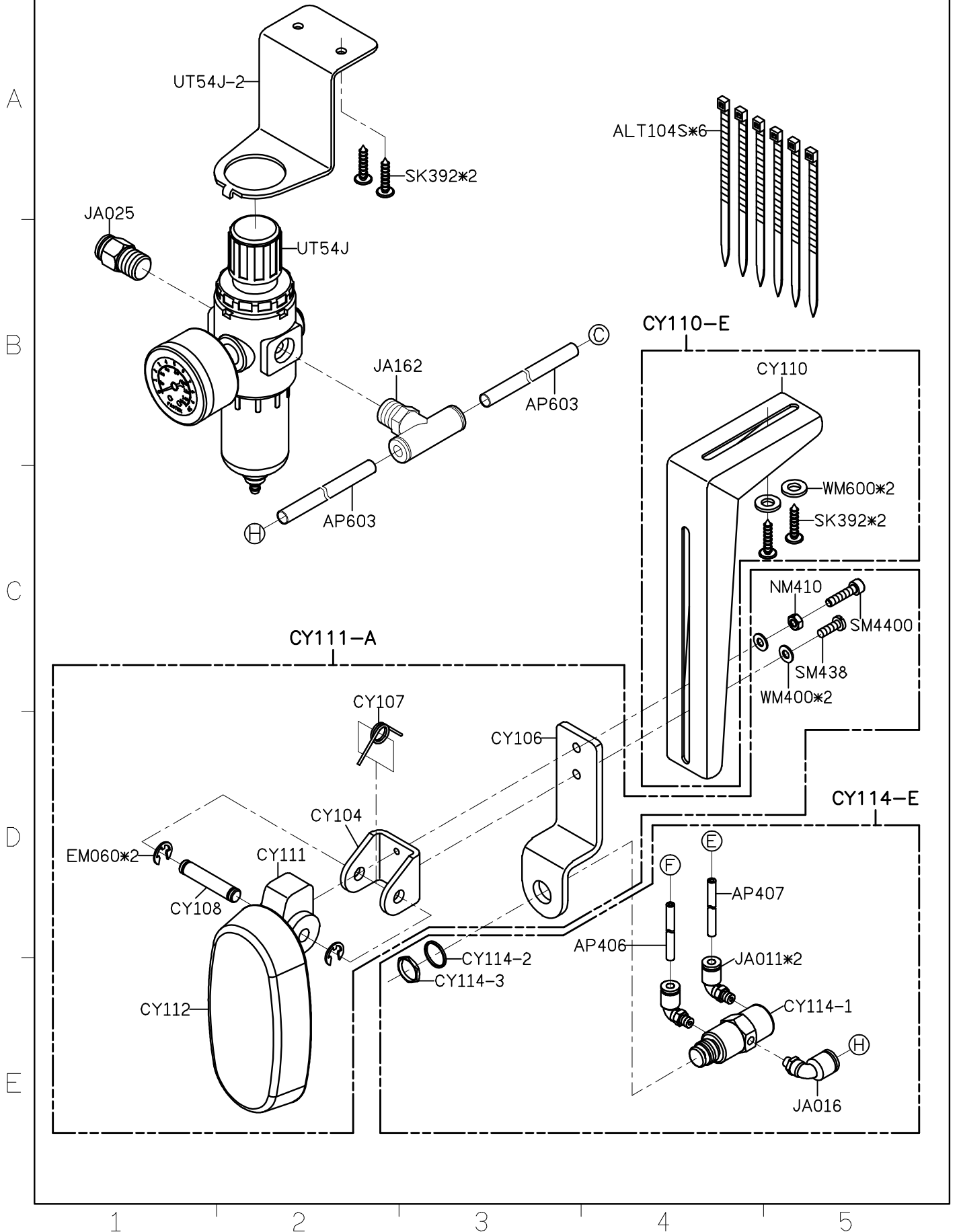
SIRUBA PARTS LIST	Series	Parts Group	Subclass / Remark	Page
	C007K/C007KD	CW-K	For UTQ	3/4
	C007KP/C858K			Date
	C007L/C007LX			2021/1/28

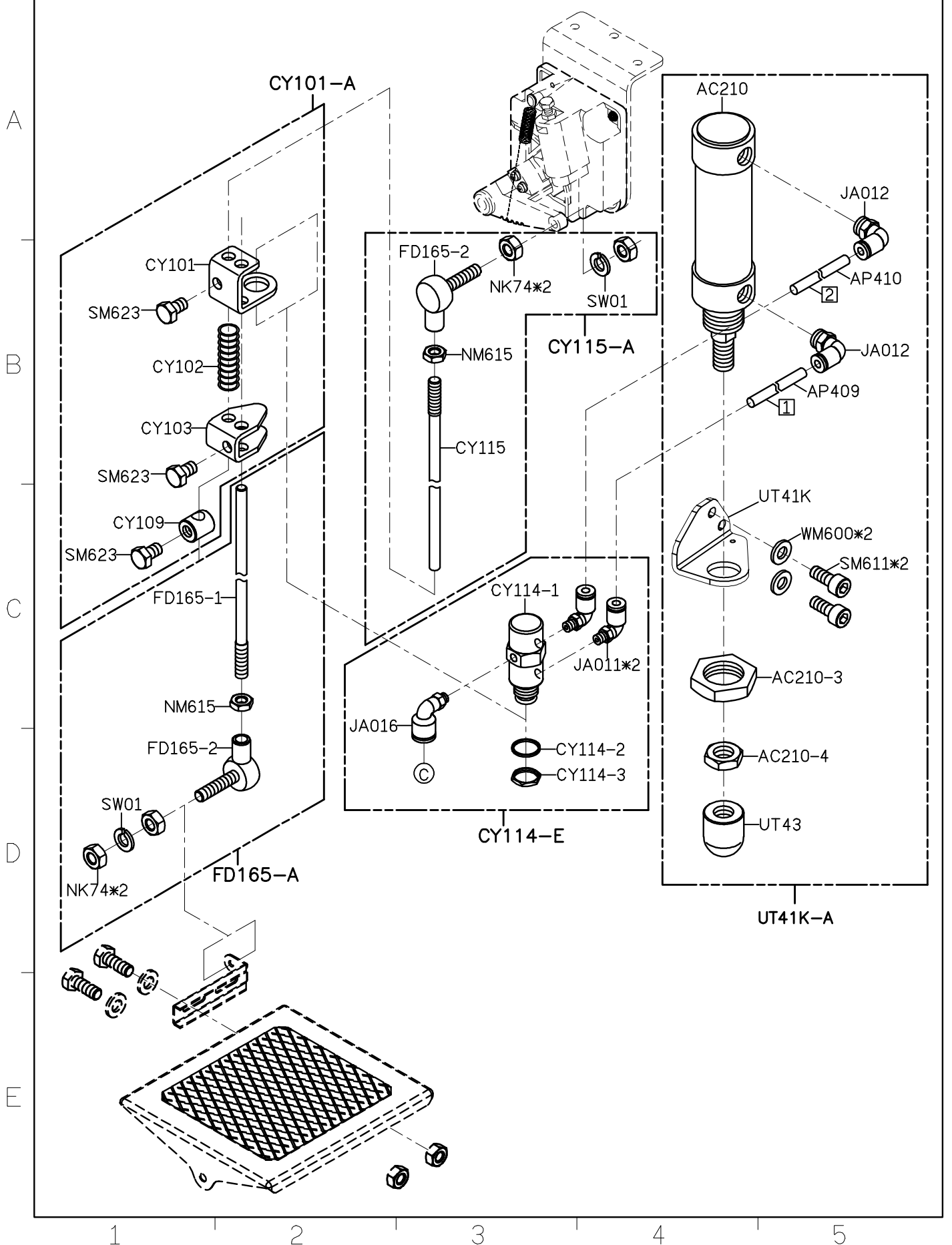


SIRUBA PARTS LIST	Series	Parts Group	Subclass / Remark	Page
	C007K/C007KD	CW-K		4/4
	C007KP/C858K			Date
	C007L/C007LX			2021/1/28

KW40E-A3







SIRUBA PARTS LIST	Series	Parts Group	Subclass / Remark	Page
	C007K/C007KD	CZP-K		1/2
	C007KP/C858K			Date
				2018/8/29

CZP01K-A

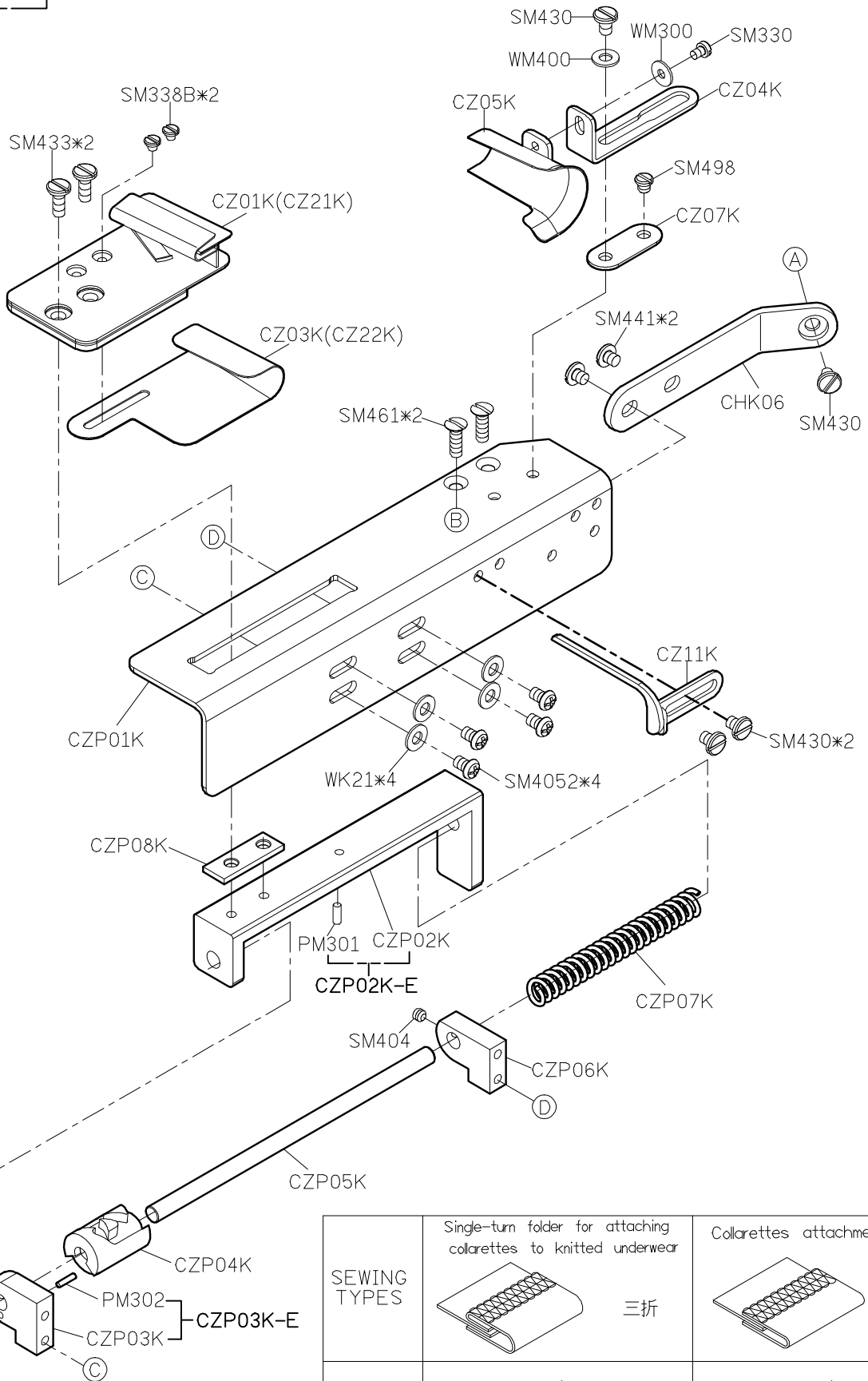
A

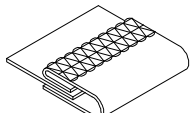
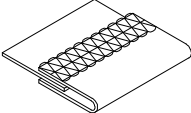
B

C

D

E



SEWING TYPES	Single-turn folder for attaching collarettes to knitted underwear  三折	Collarettes attachment 2 ply  二折
CODE	CZ01K/CZ03K	CZ21K/CZ22K

1

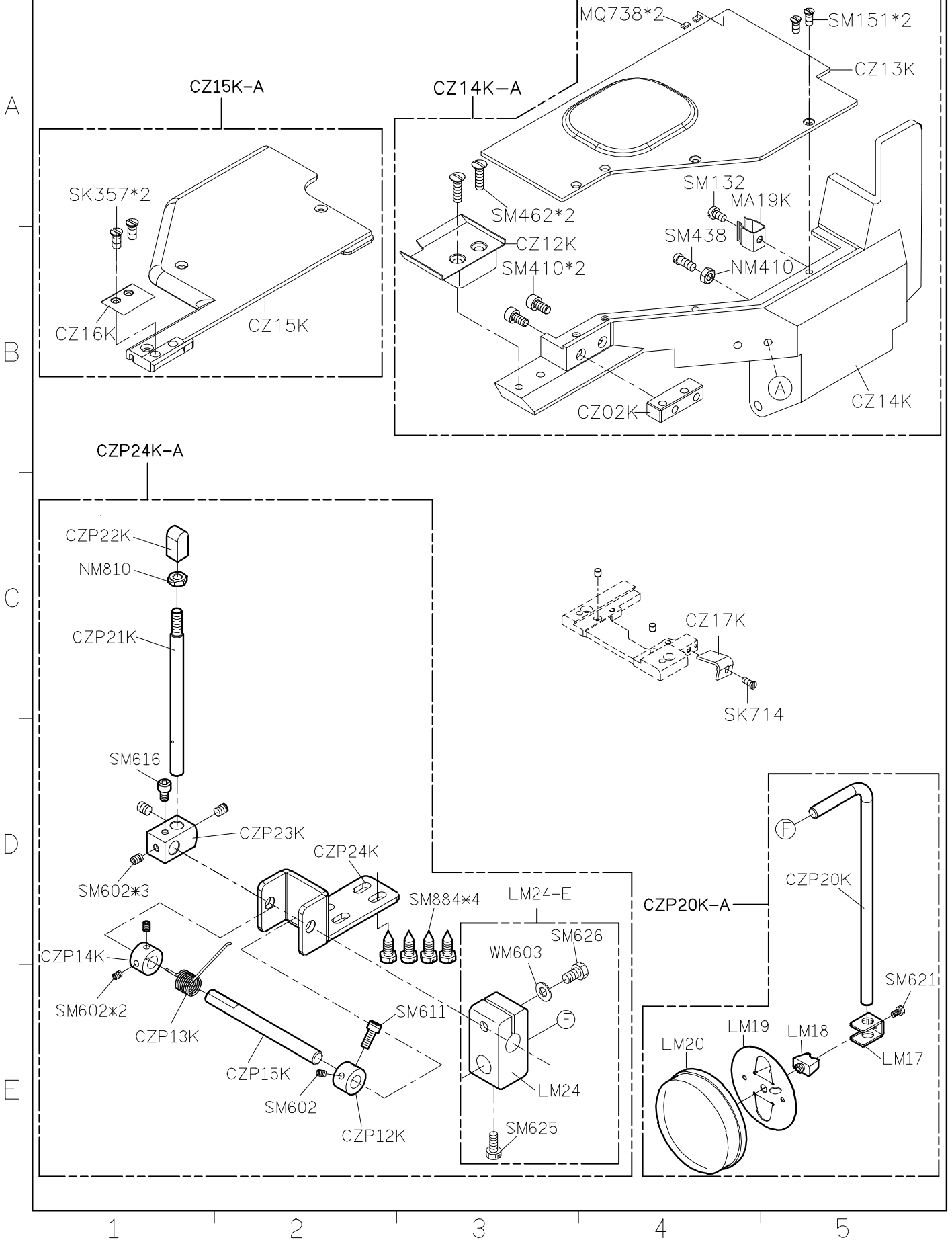
2

3

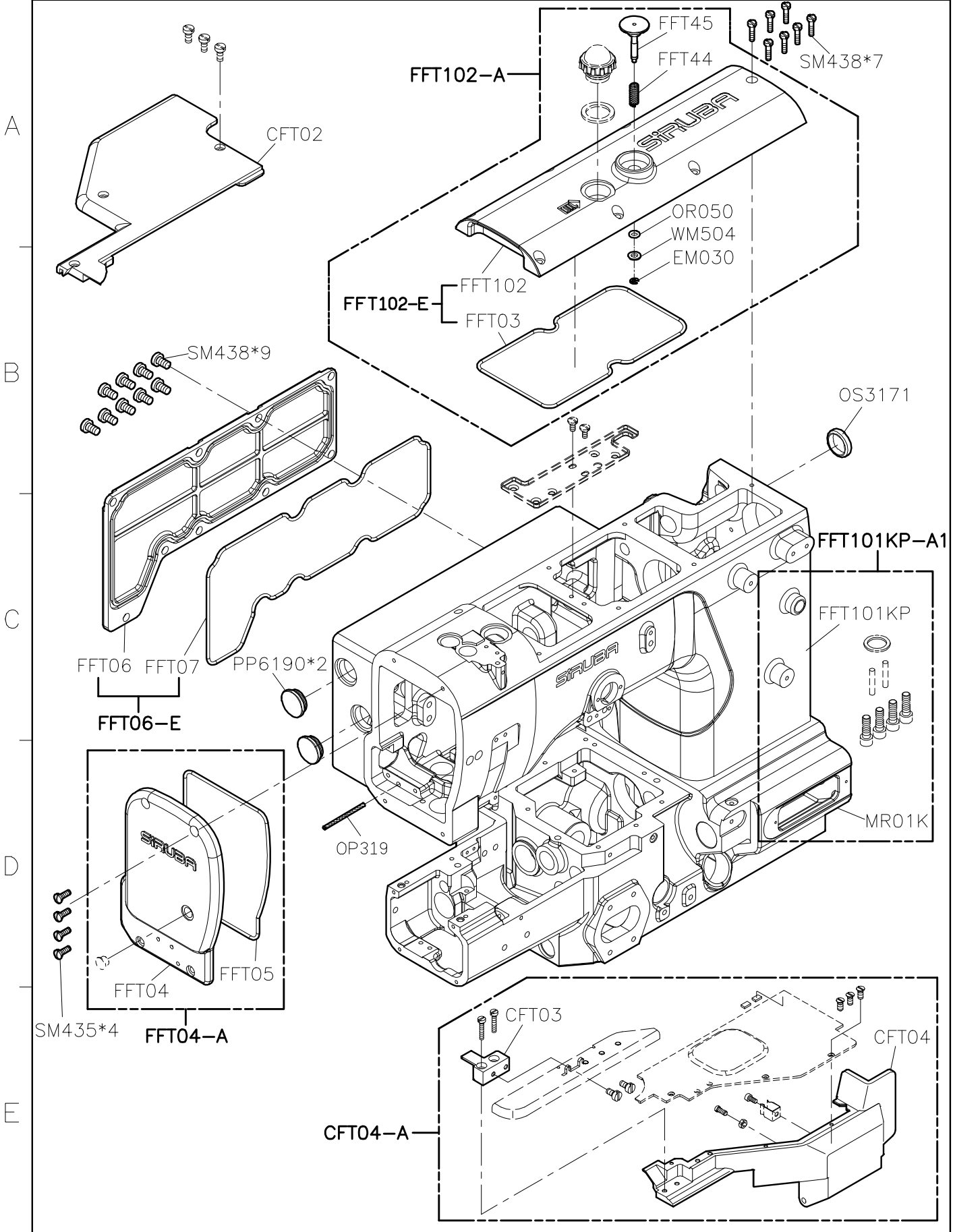
4

5

SIRUBA PARTS LIST	Series	Parts Group	Subclass / Remark	Page
	C007K/C007KD	CZP-K		2/2
	C007KP/C858K			Date
				2018/06/11



SIRUBA PARTS LIST	Series	Parts Group	Subclass / Remark	Page
	C007KP	FFT	With Direct-Drive Motor	1/7
				Date
				2024/6/28



SIRUBA

PARTS LIST

Series

C007KD/C007KP

Parts Group

FFT

Subclass / Remark

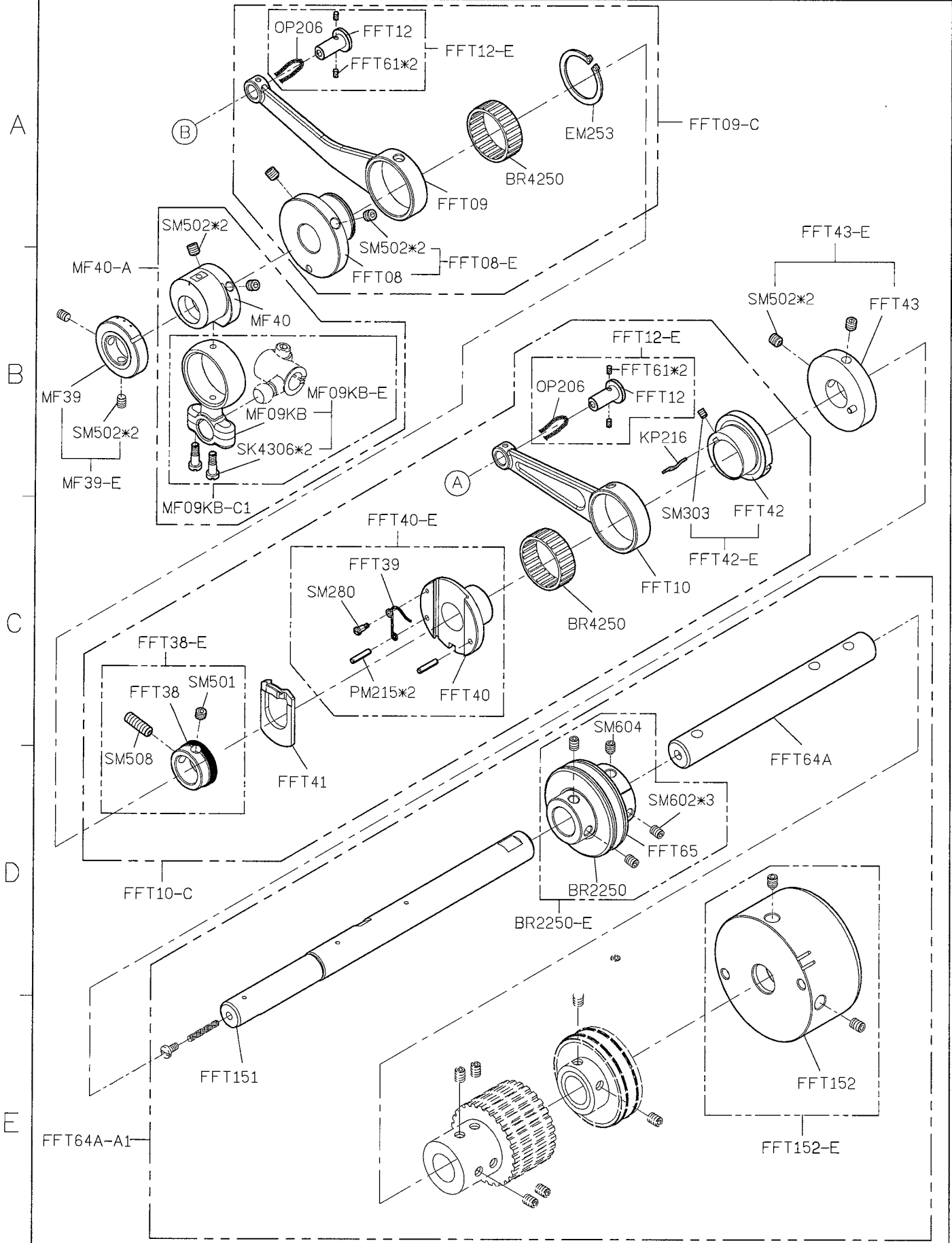
With Direct-Drive Motor

Page

3/7

Date

2018/02/23



1

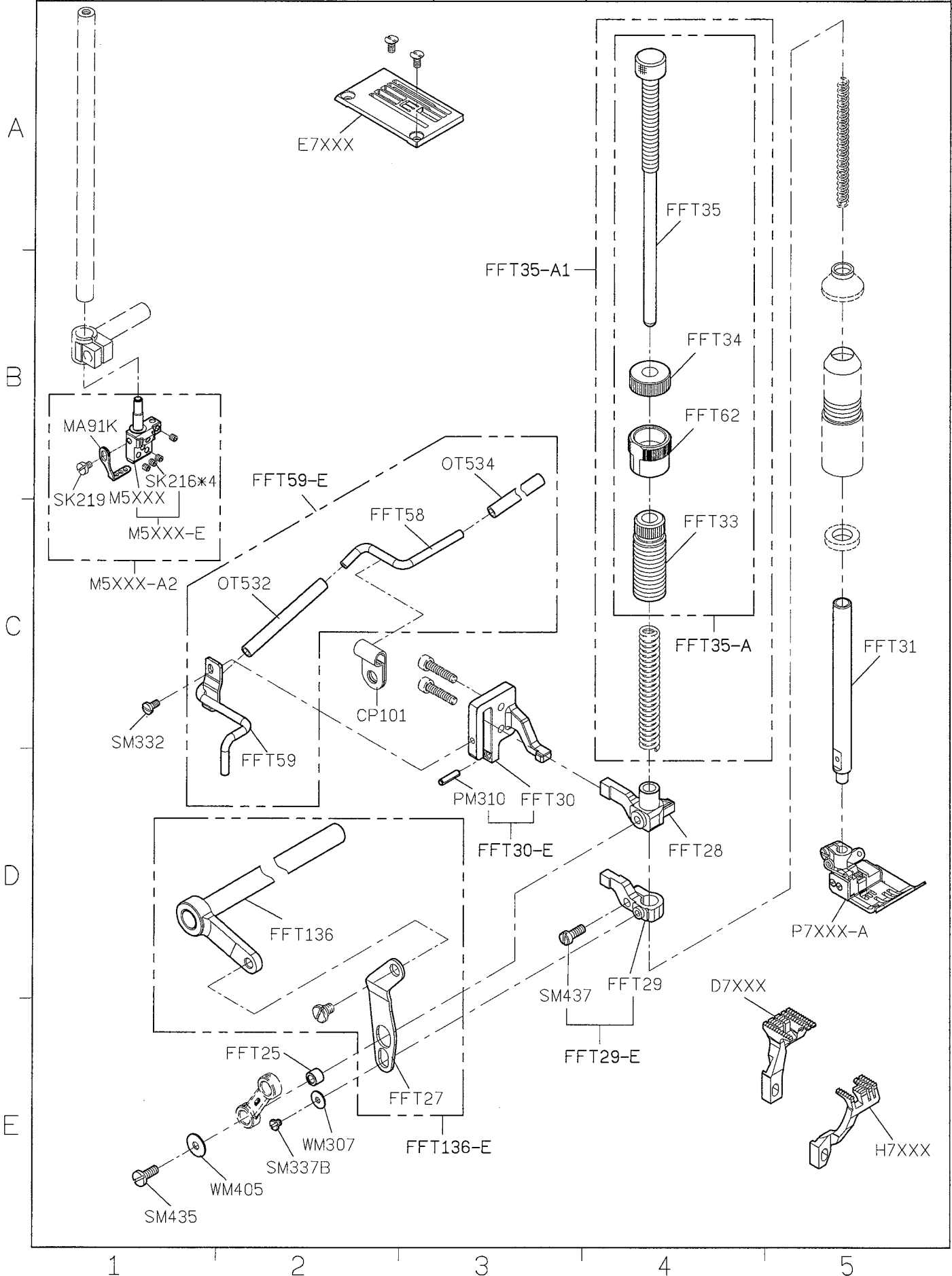
2

3

4

5

SIRUBA PARTS LIST	Series	Parts Group	Subclass / Remark	Page
	C007KD/C007KP	FFT	With Direct-Drive Motor	4/7
				Date 2018/7/31



SIRUBA
PARTS LIST

Series

C007KP

Parts Group

FFT

Subclass / Remark

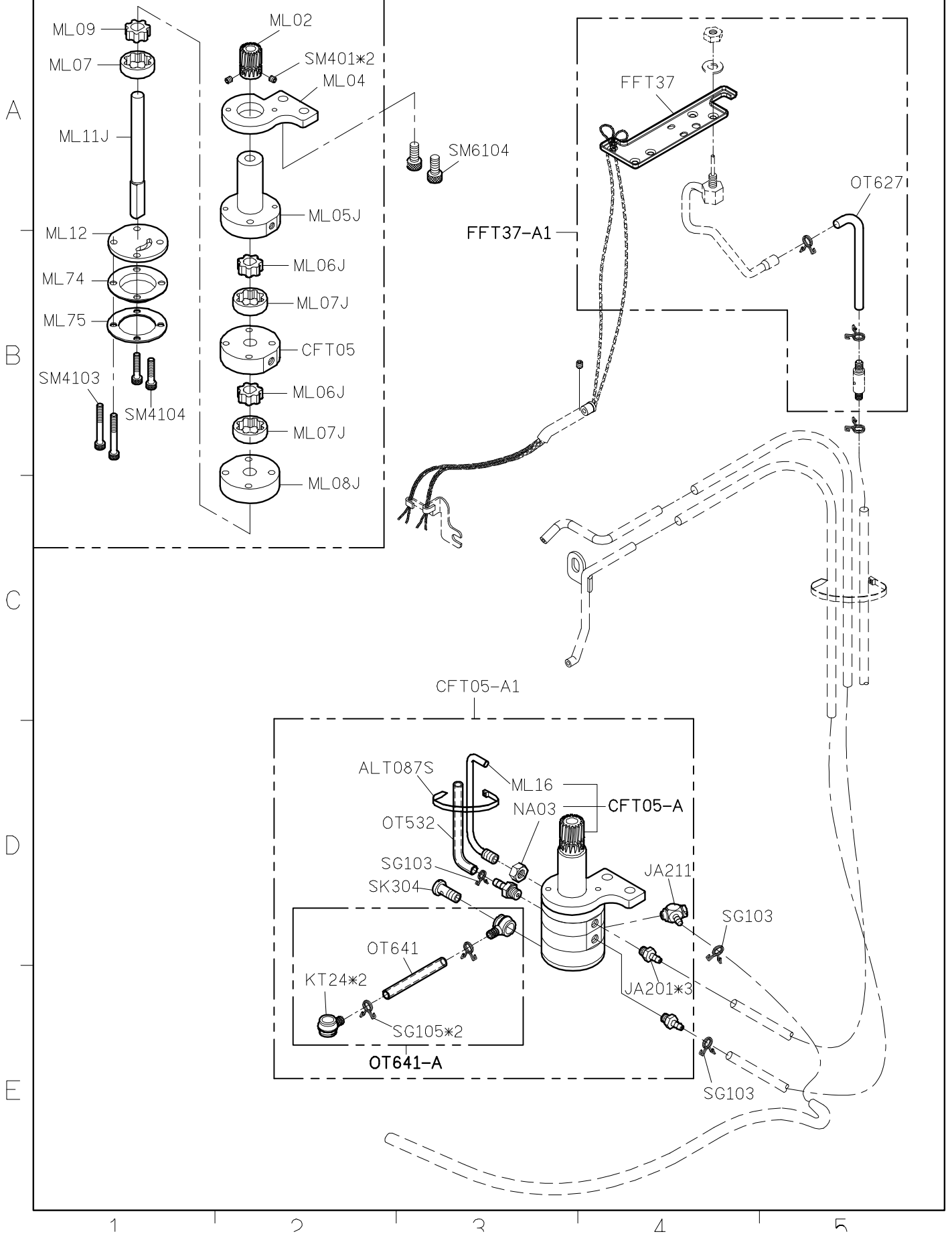
With Direct-Drive Motor

Page

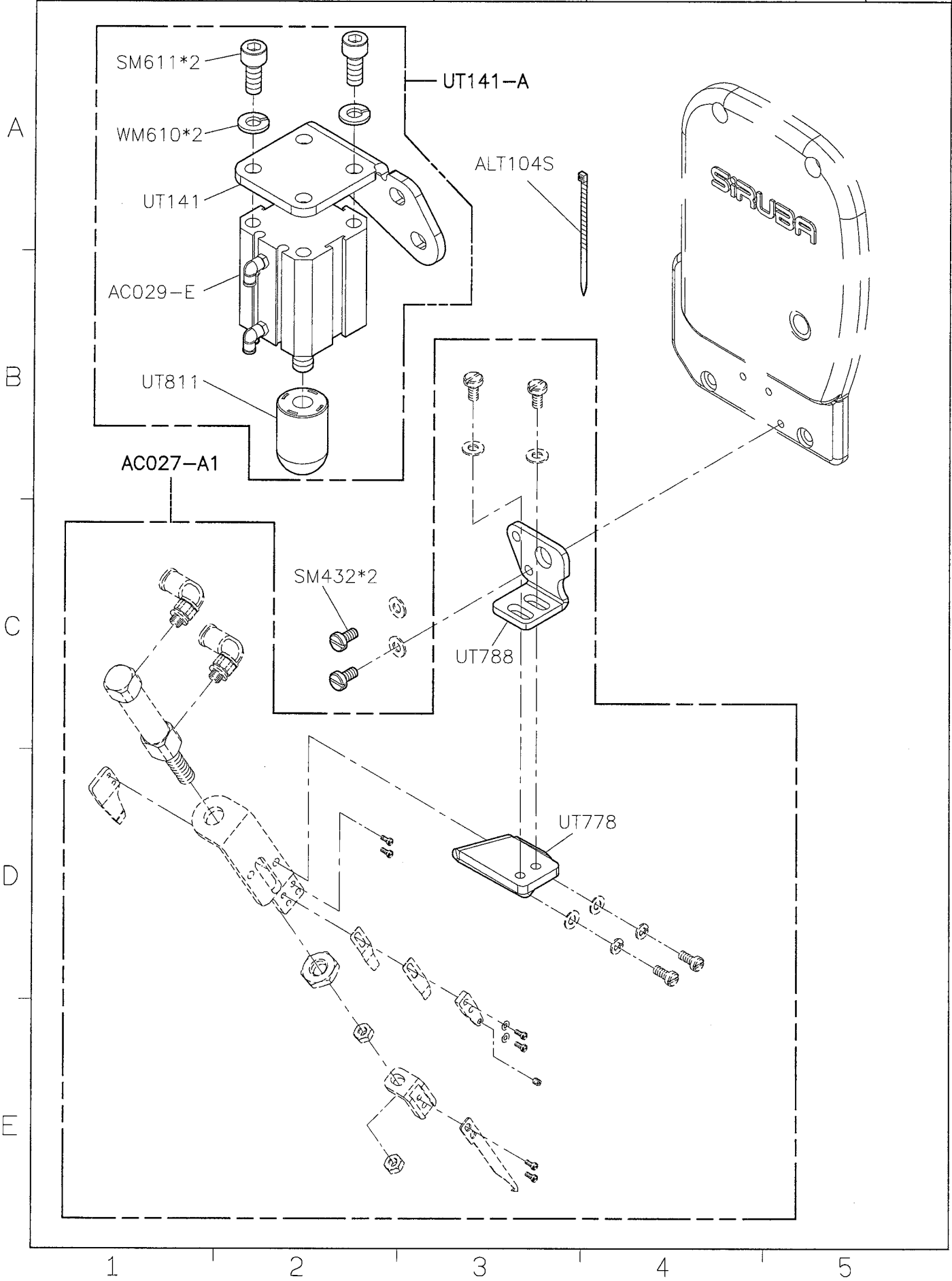
5/7

Date

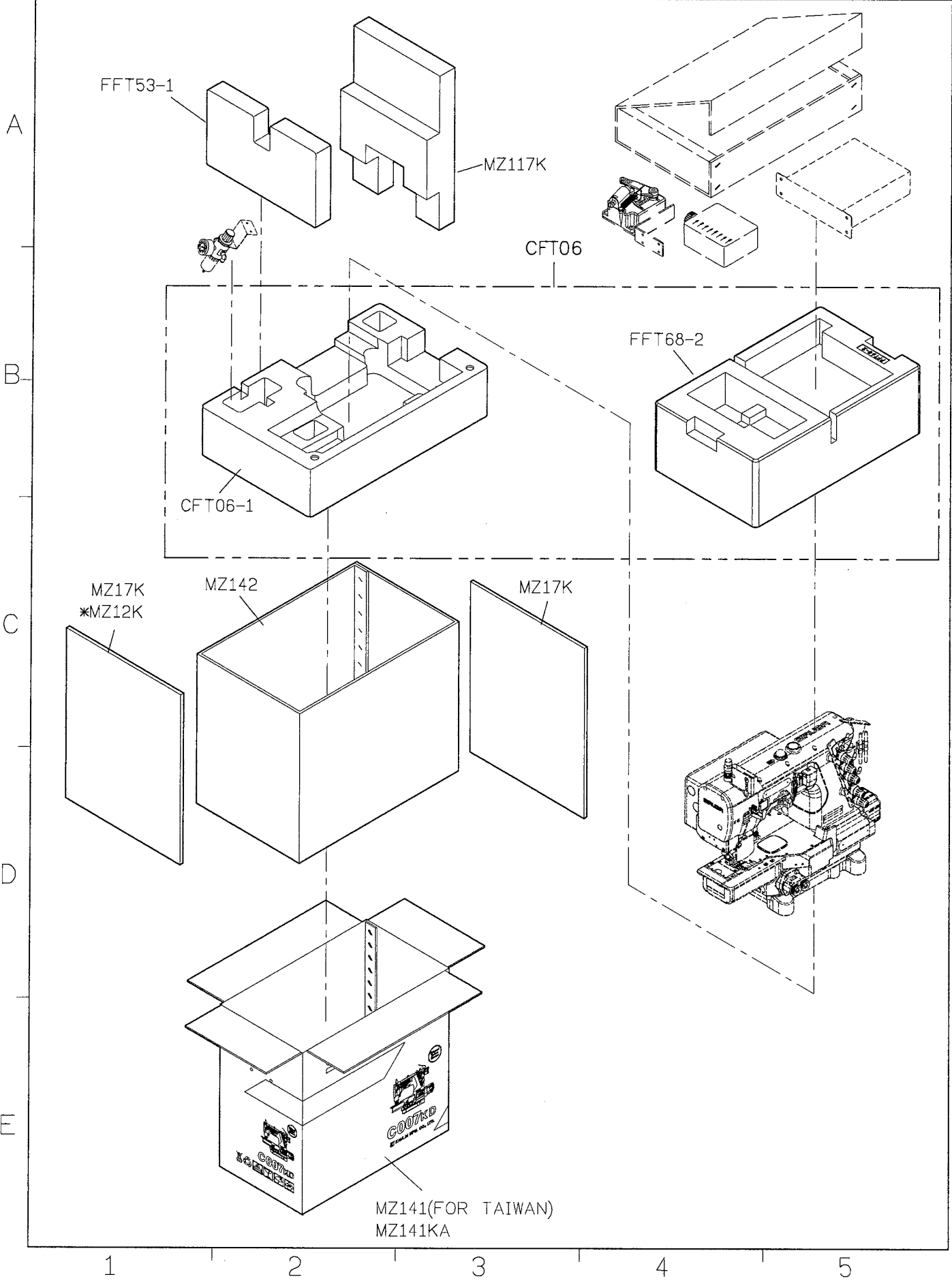
2024/6/28



SIRUBA PARTS LIST	Series	Parts Group	Subclass / Remark	Page
	C007KD/C007KP	FFT	With Direct-Drive Motor	6/7
				Date
				2016/8/19



SIRUBA PARTS LIST	Series	Parts Group	Subclass / Remark	Page
	C007KD/C007KP	FFT	With Direct-Drive Motor * Use for UT	7/7
				Date
				2018/7/31



SIRUBA
PARTS LIST

Series
C007K/C007KD
C007KP/C858K

Parts Group
RLQ-K

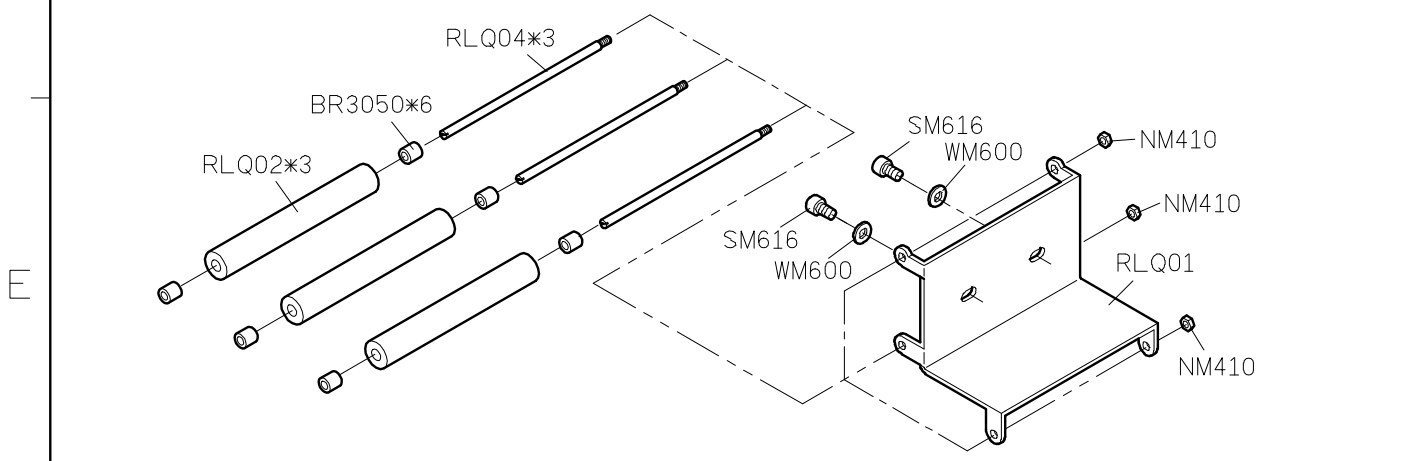
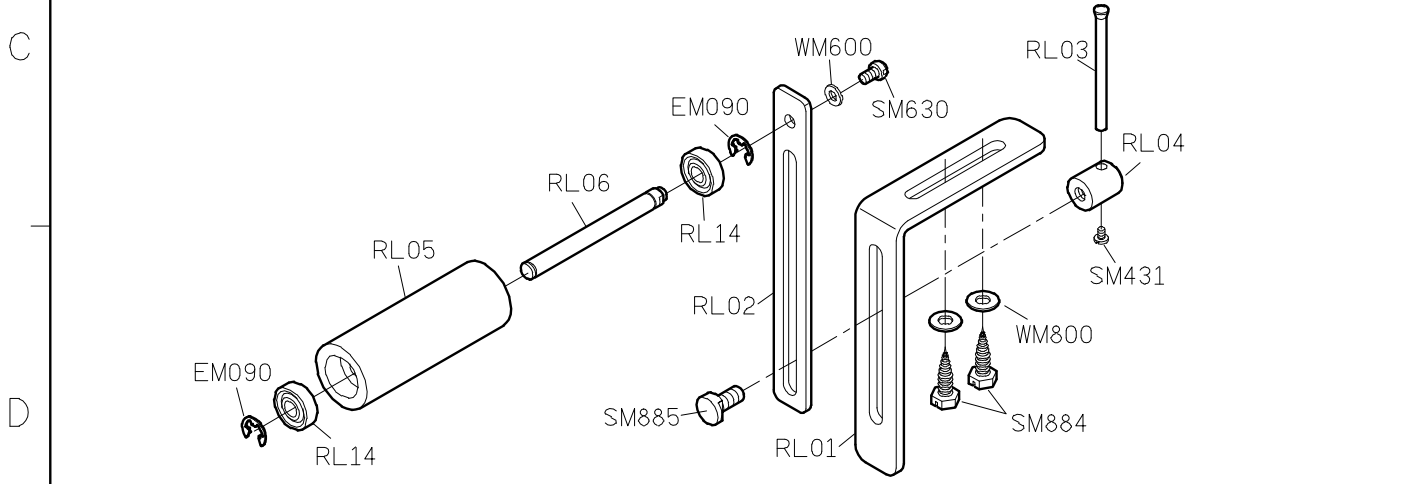
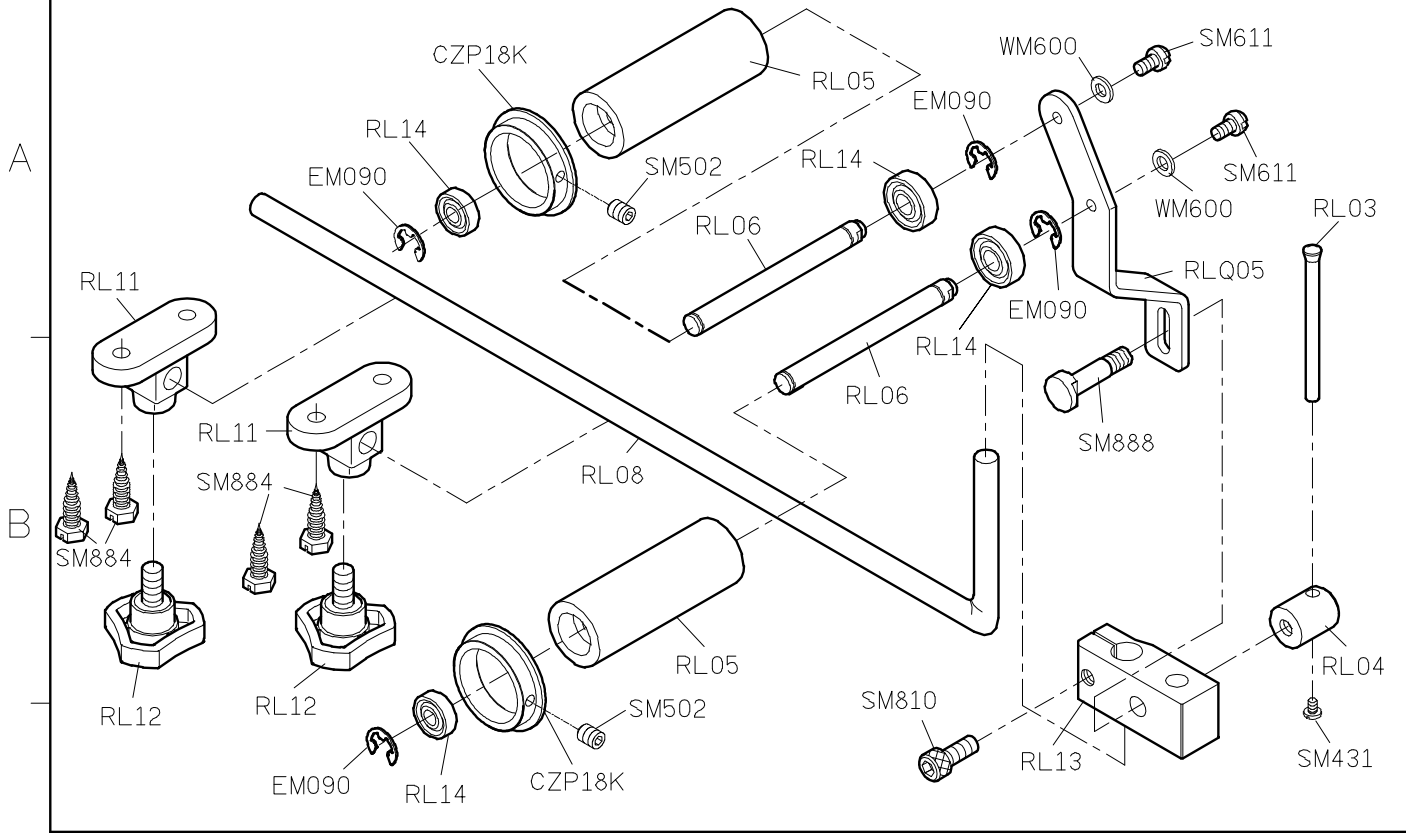
Subclass / Remark

Page

1/1

Date

2016/8/29



SIRUBA

PARTS LIST

Series

C007KP

Parts Group

ST-600W

Subclass / Remark

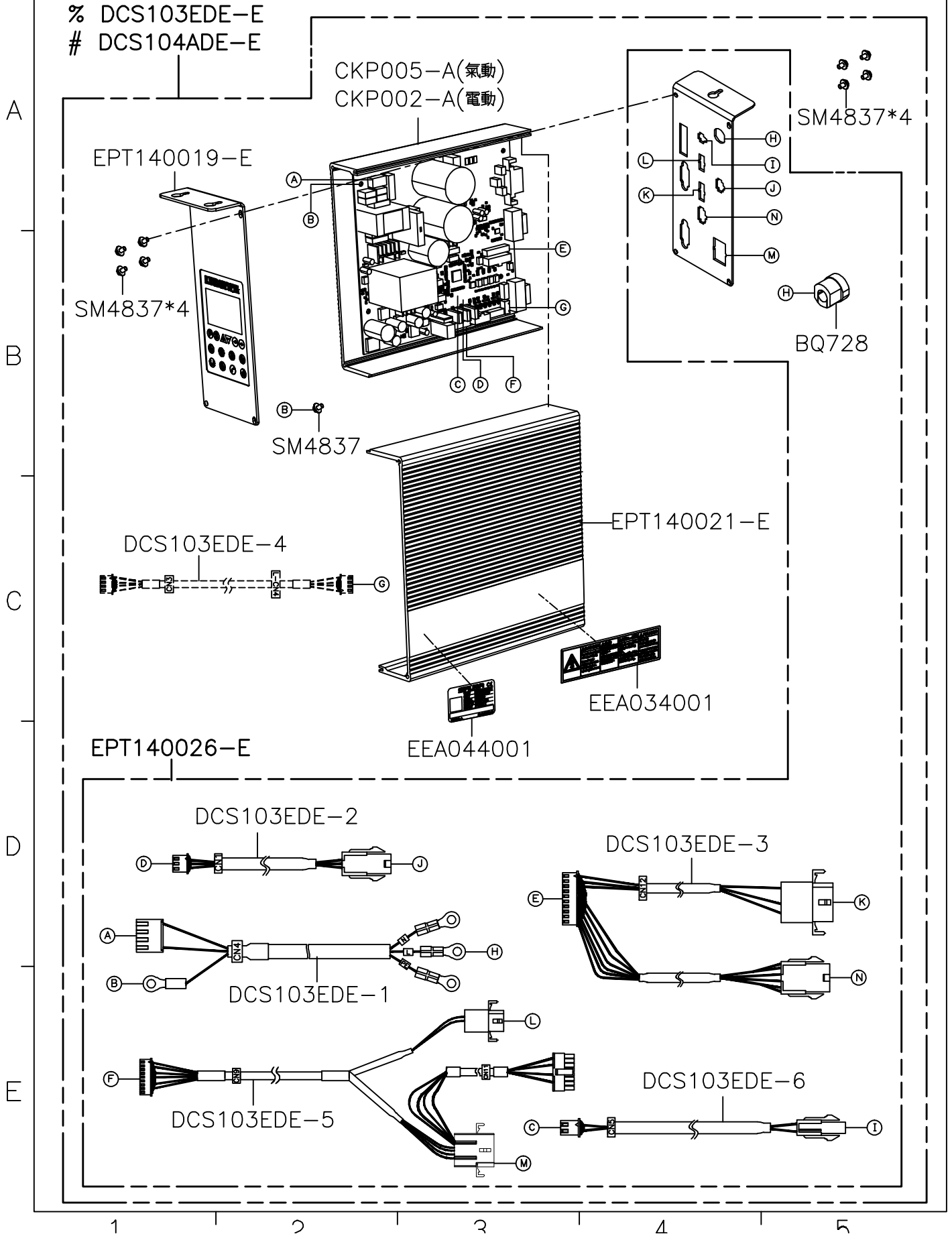
For Direct-Drive Motor
For Pneumatic Automatic
% For Electric Automatic

Page

1/7

Date

2024/7/18



SIRUBA PARTS LIST	Series	Parts Group	Subclass / Remark	Page
	C007KP	ST-600W	-	2/7
				Date
				2023/11/9

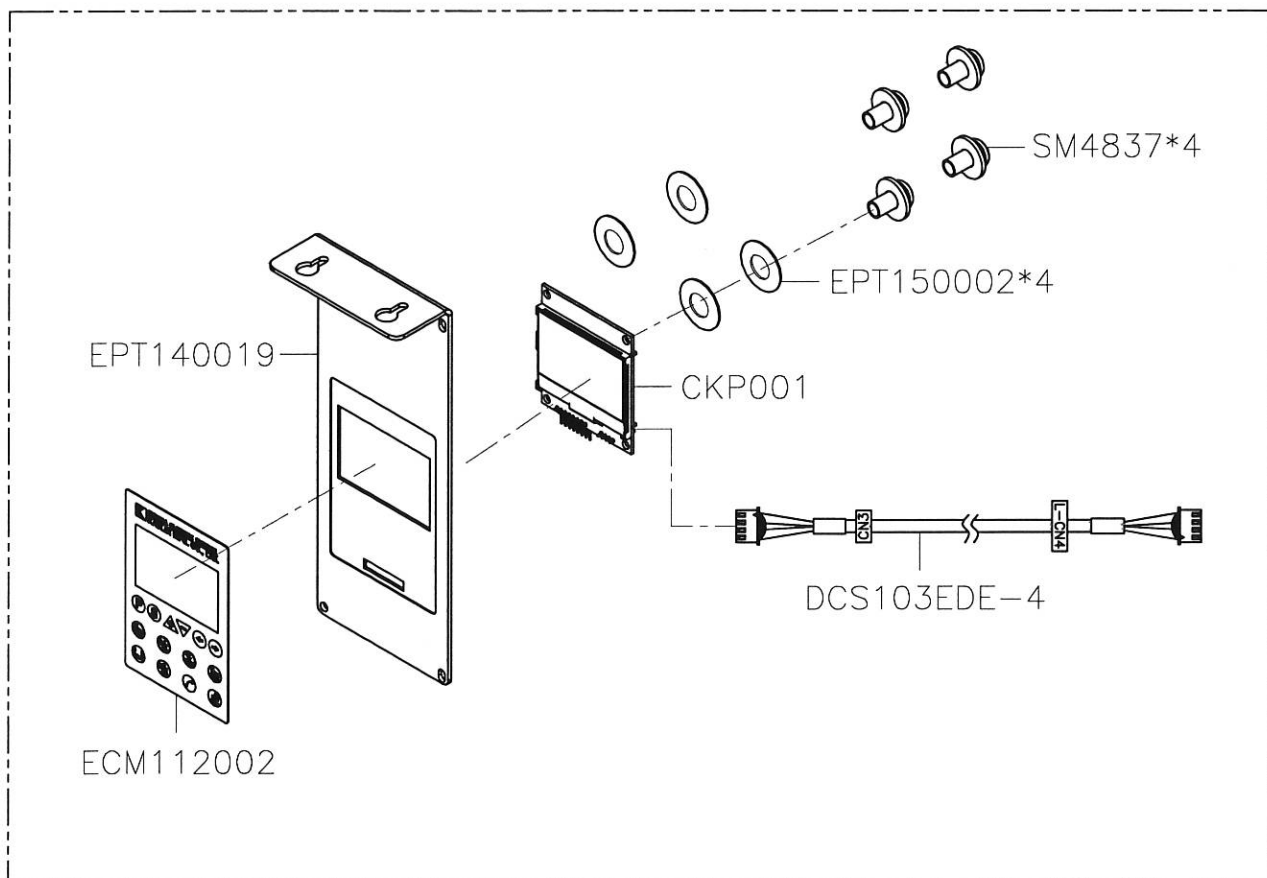
A

B

C

D

E



EPT140019-E

1

2

3

4

5

SIRUBA PARTS LIST	Series	Parts Group	Subclass / Remark	Page
	C007KP	ST-600W	-	3/7
				Date
				2023/11/9

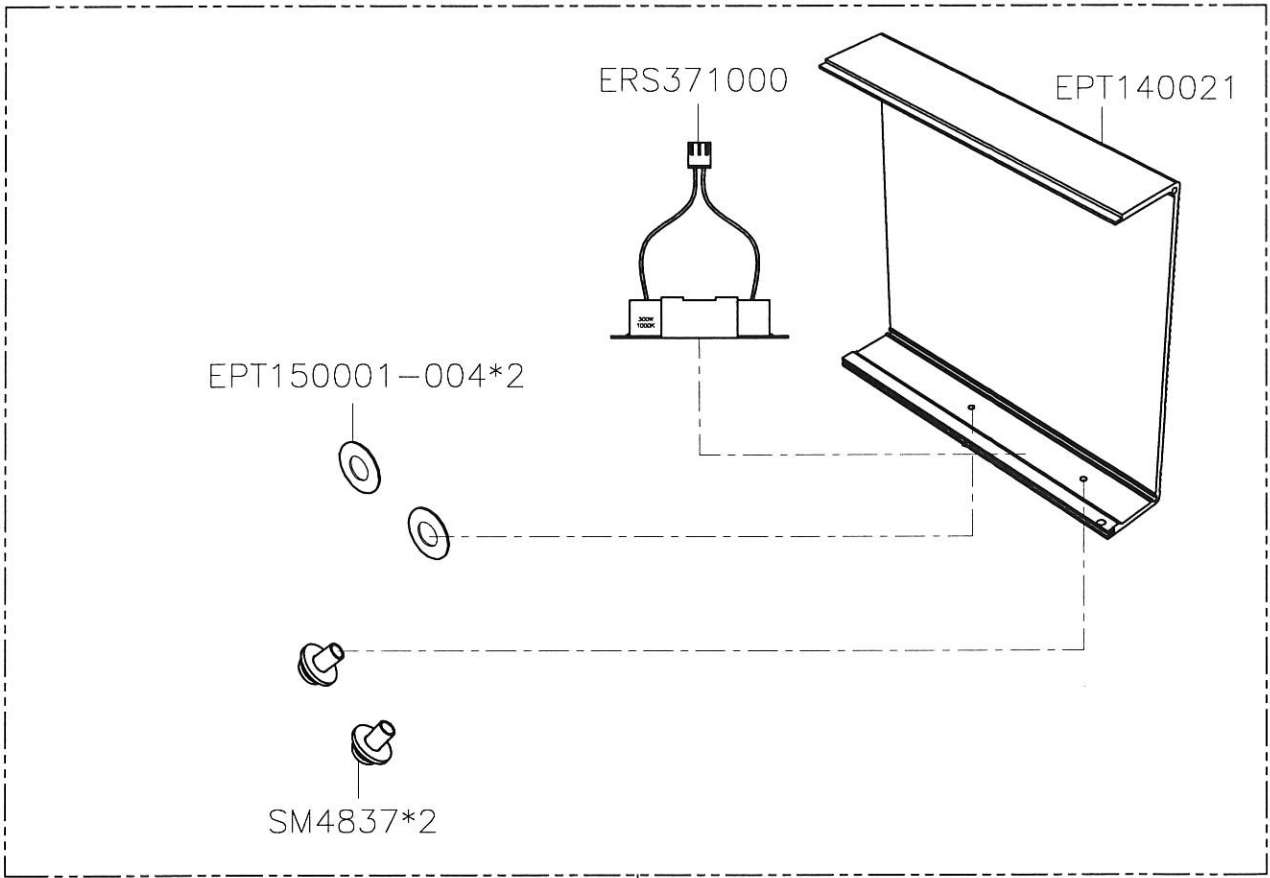
A

B

C

D

E



EPT140021-E

1

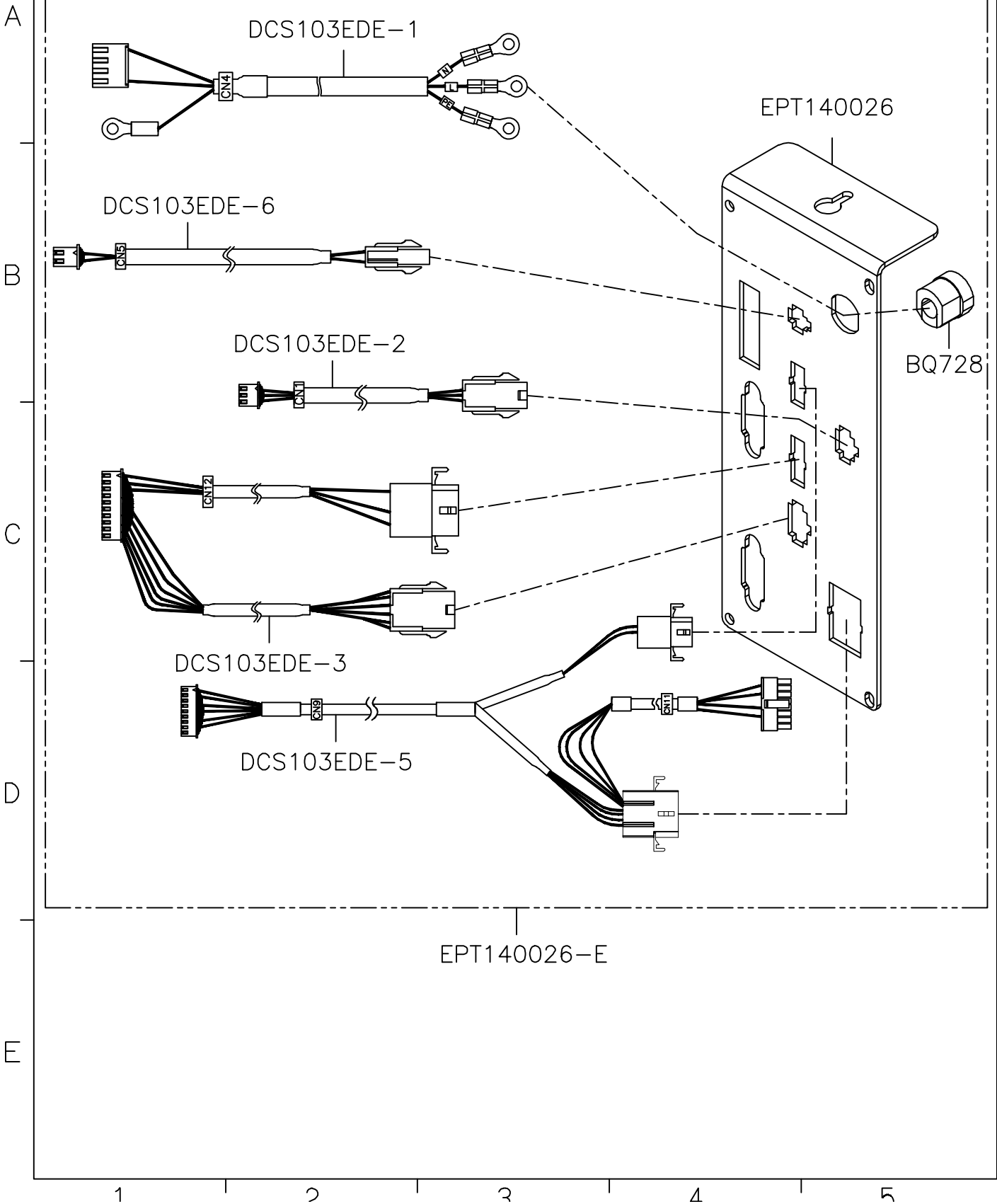
2

3

4

5

SIRUBA PARTS LIST	Series	Parts Group	Subclass / Remark	Page
	C007KP	ST-600W	-	4/7
				Date
				2024/7/18



SIRUBA PARTS LIST	Series	Parts Group	Subclass / Remark	Page
	C007KP	ST-600W	-	5/7
				Date
				2023/11/9

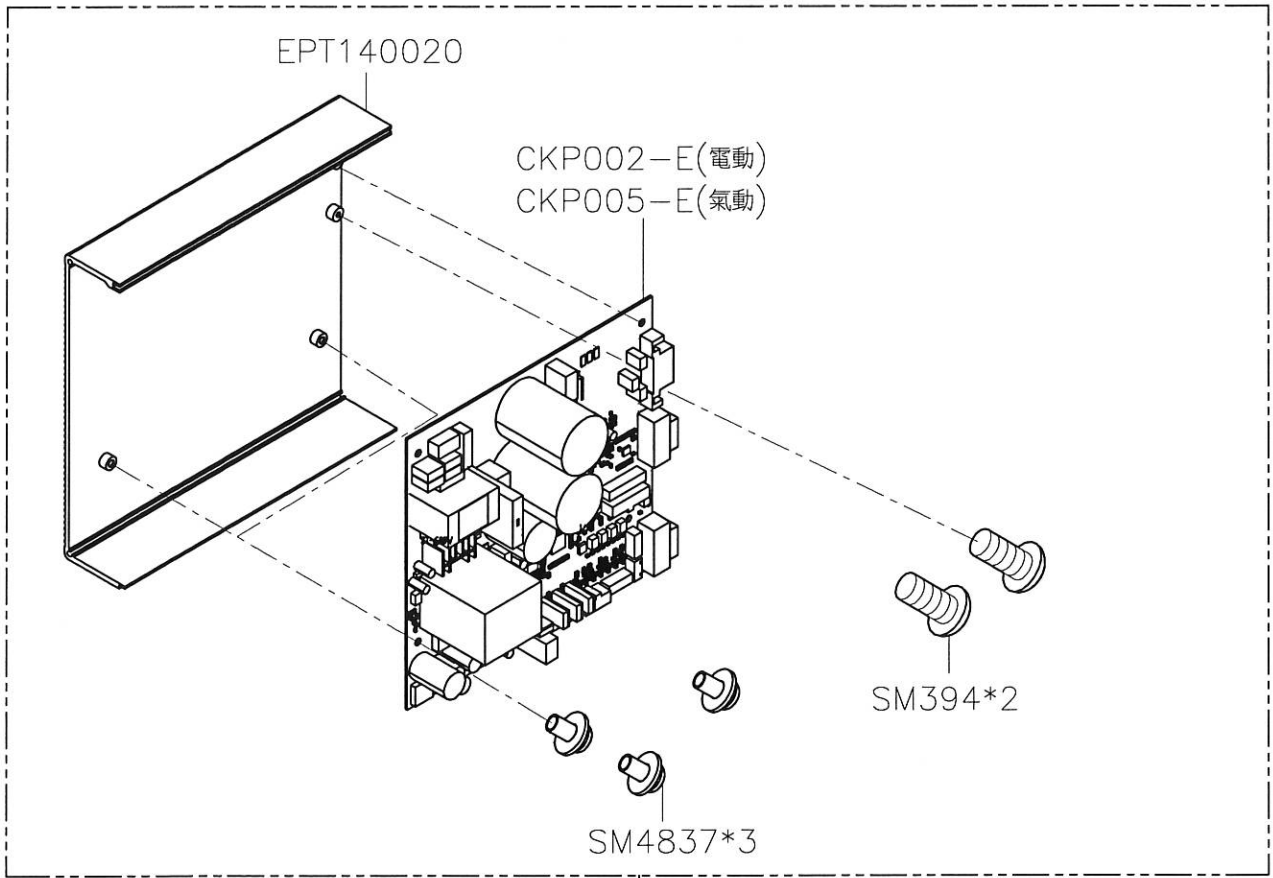
A

B

C

D

E



EPT140020

CKP002-E(電動)

CKP005-E(氣動)

SM394*2

SM4837*3

CKP005-A(氣動)

CKP002-A(電動)

1

2

3

4

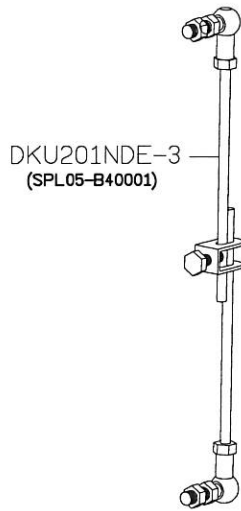
5

SIRUBA PARTS LIST	Series	Parts Group	Subclass / Remark	Page
	C007KP	ST-600W	For Driect-Drive Motor # For Pneumatic Automatic % For Electric Automatic	6/7
				Date
				2023/11/9

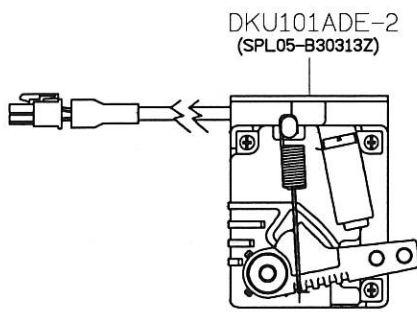
A

% DCS103EDE-A1
DCS104ADE-A1

B

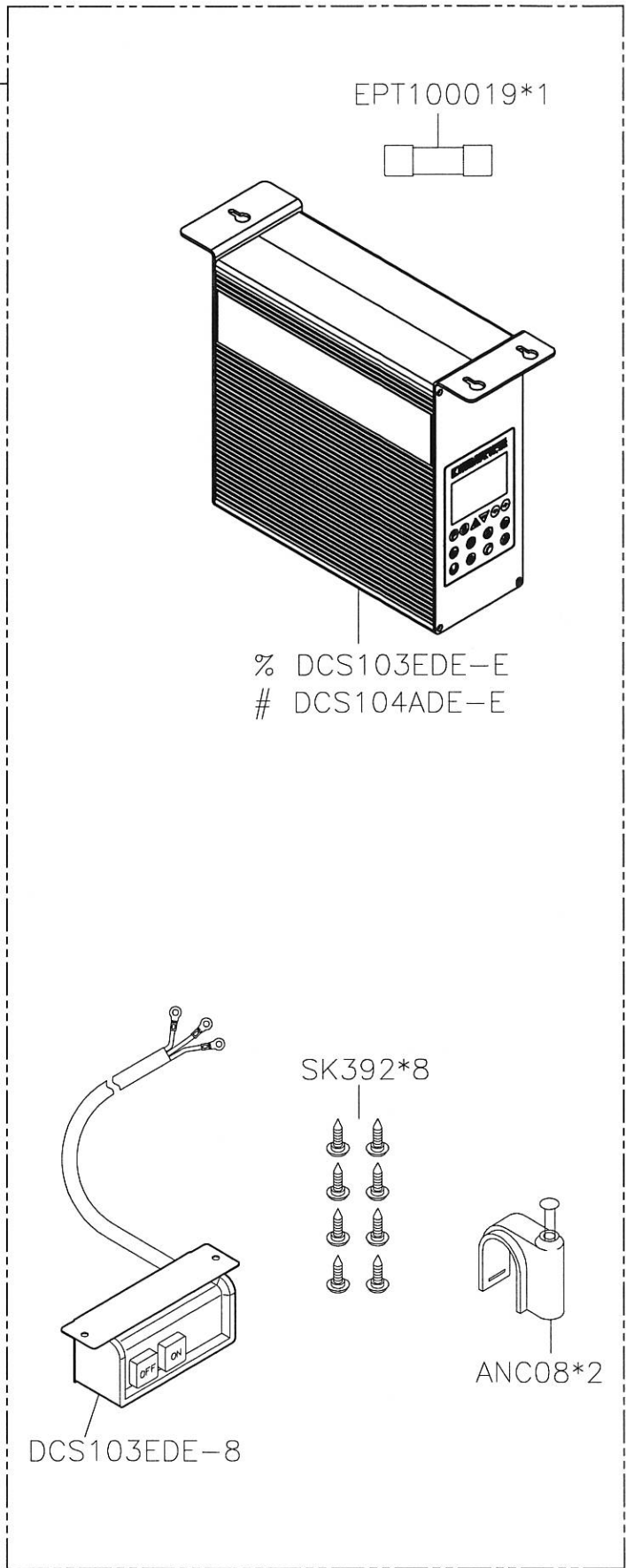


C



D

E



1

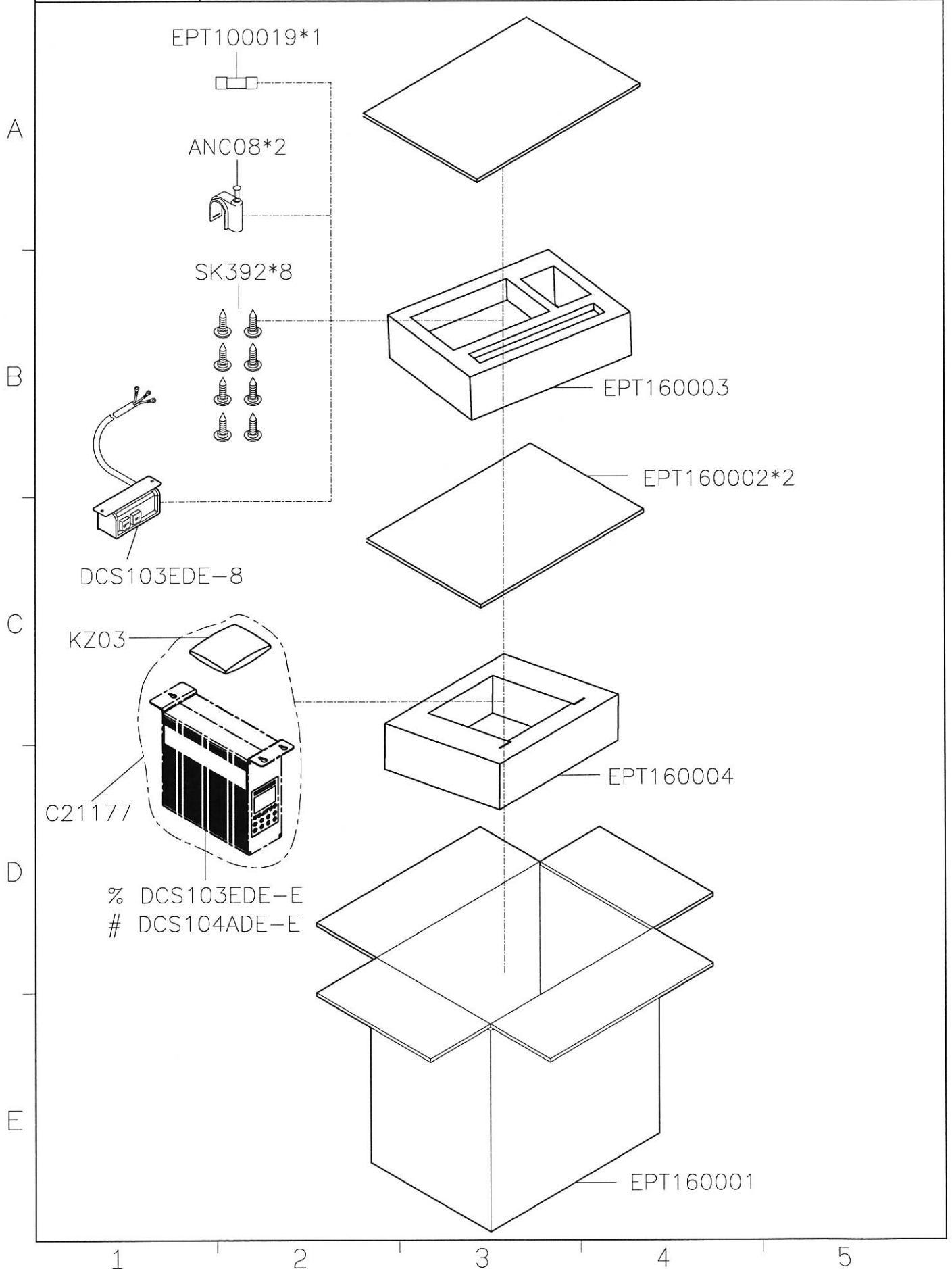
2

3

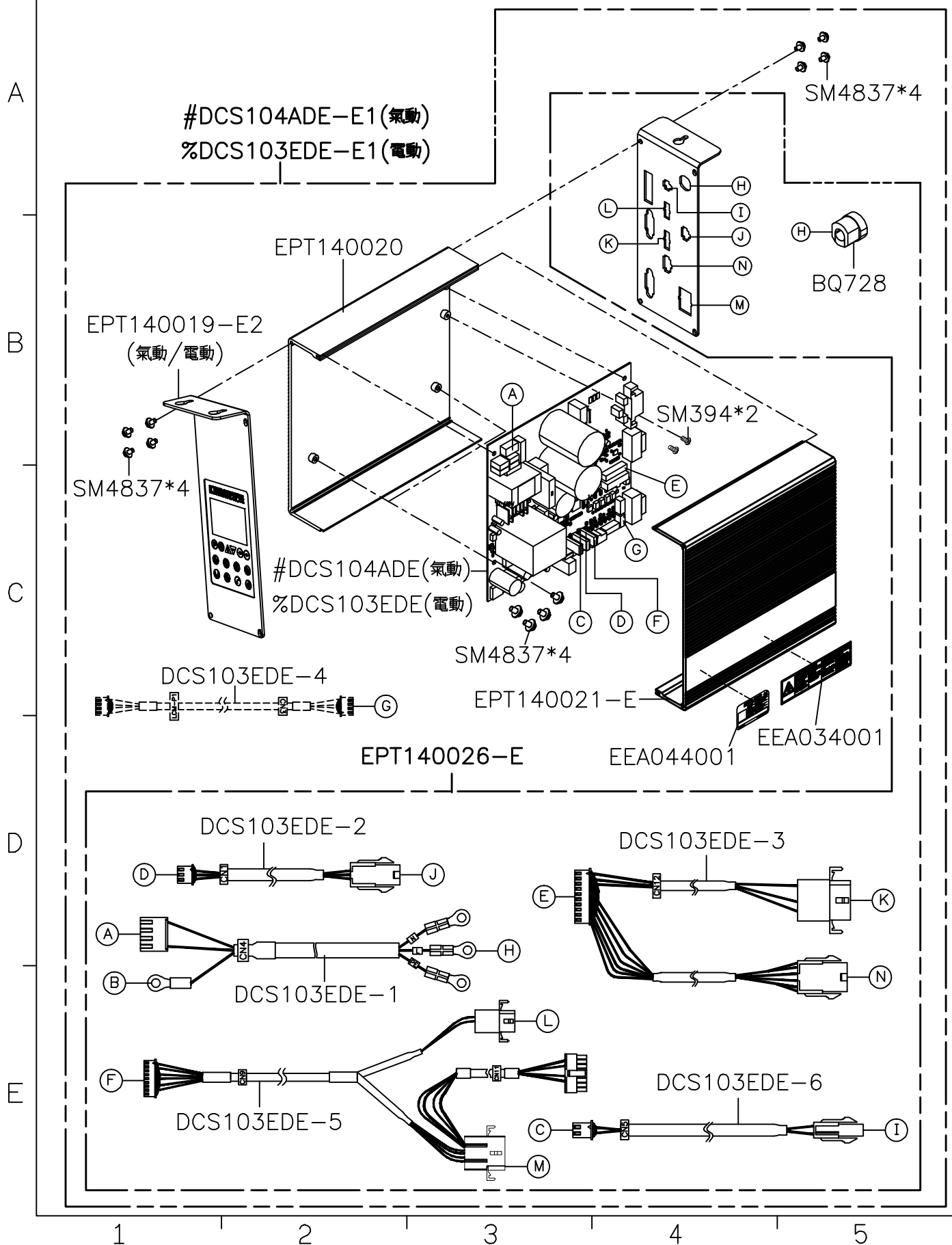
4

5

SIRUBA PARTS LIST	Series	Parts Group	Subclass / Remark	Page
	C007KP	ST-600W	For Direct-Drive Motor # For Pneumatic Automatic % For Electric Automatic	7/7 Date 2023/11/9



SIRUBA PARTS LIST	Series	Parts Group	Subclass / Remark	Page
	C007KP	ST-600W-01	# For Pneumatic Automatic % For Electric Automatic	1/6
				Date
				2024/9/06



SIRUBA PARTS LIST	Series	Parts Group	Subclass / Remark	Page
	C007KP	ST-600W-01	-	2/6
				Date
				2024/09/08

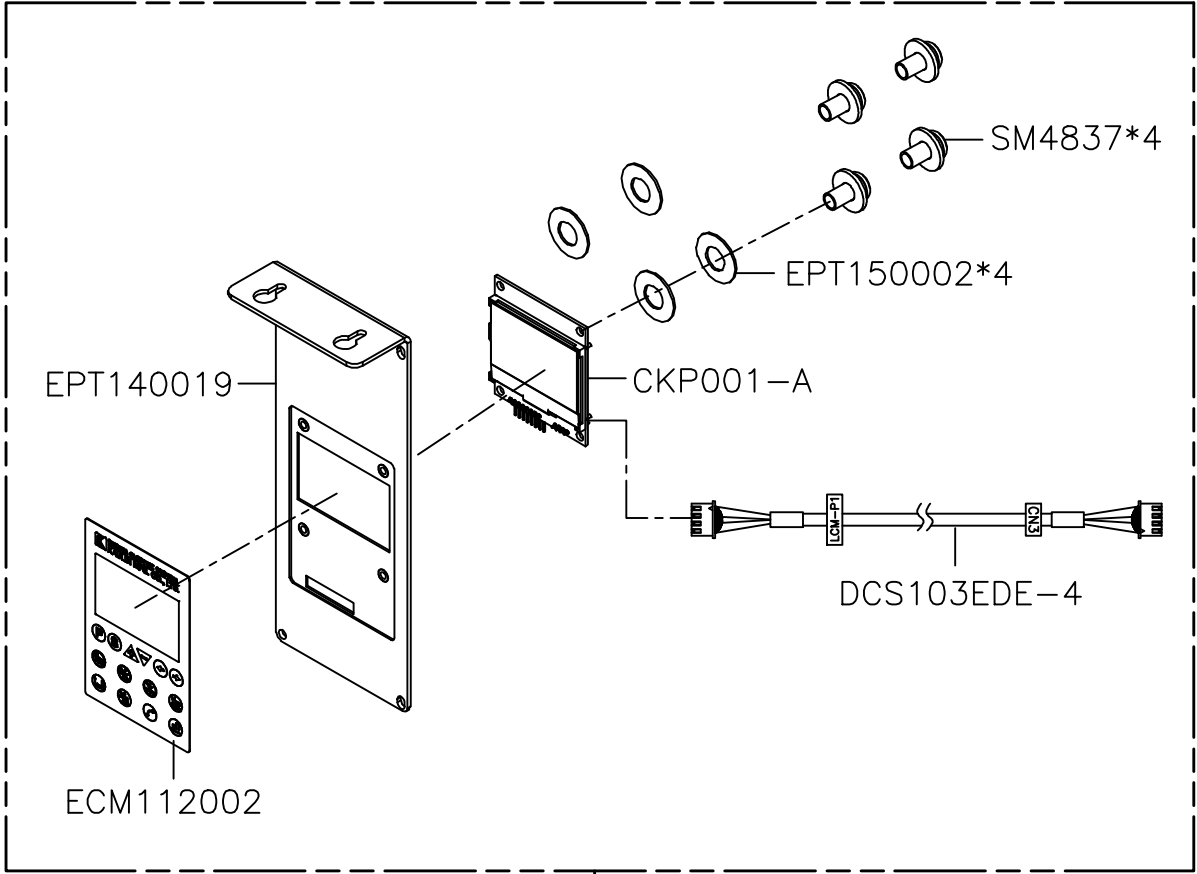
A

B

C

D

E



EPT140019-E2

1

2

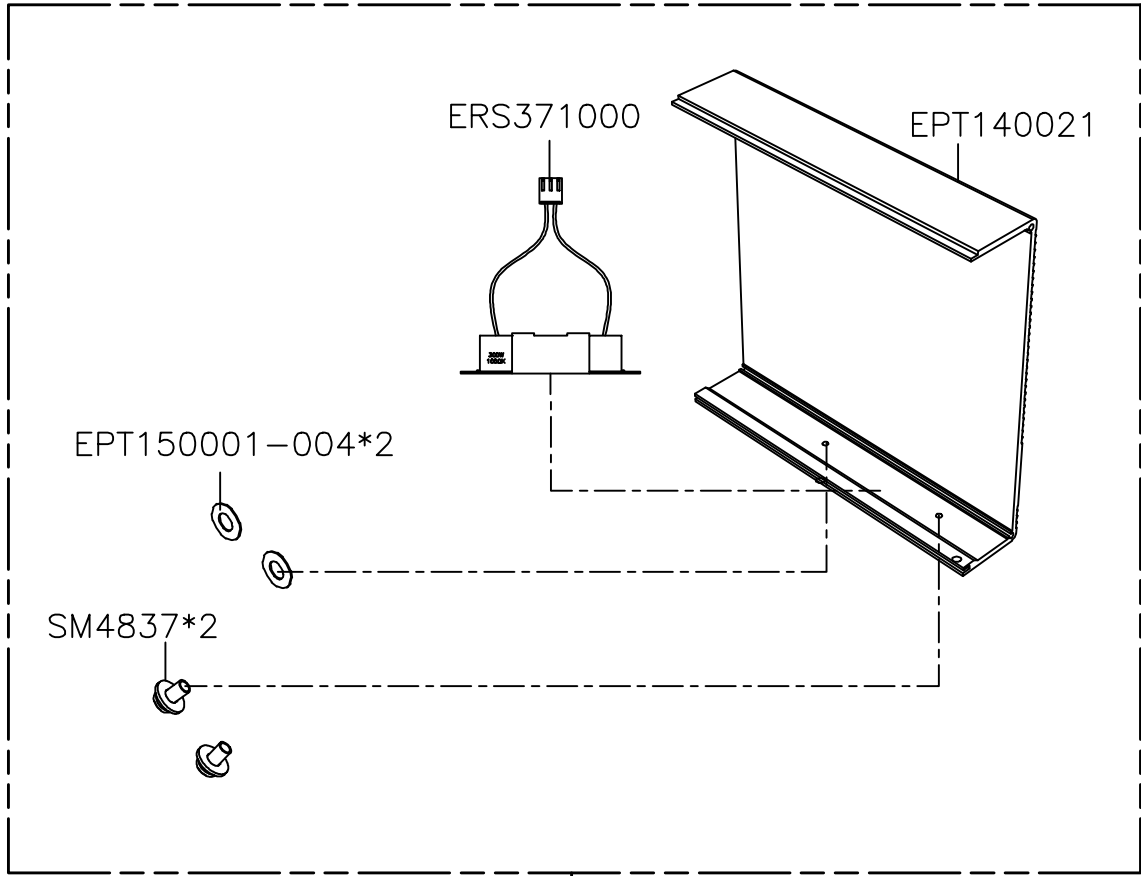
3

4

5

SIRUBA PARTS LIST	Series	Parts Group	Subclass / Remark	Page
	C007KP	ST-600W-01	-	3/6
				Date
				2024/09/08

A
B
C
D
E



EPT140021-E

1 2 3 4 5

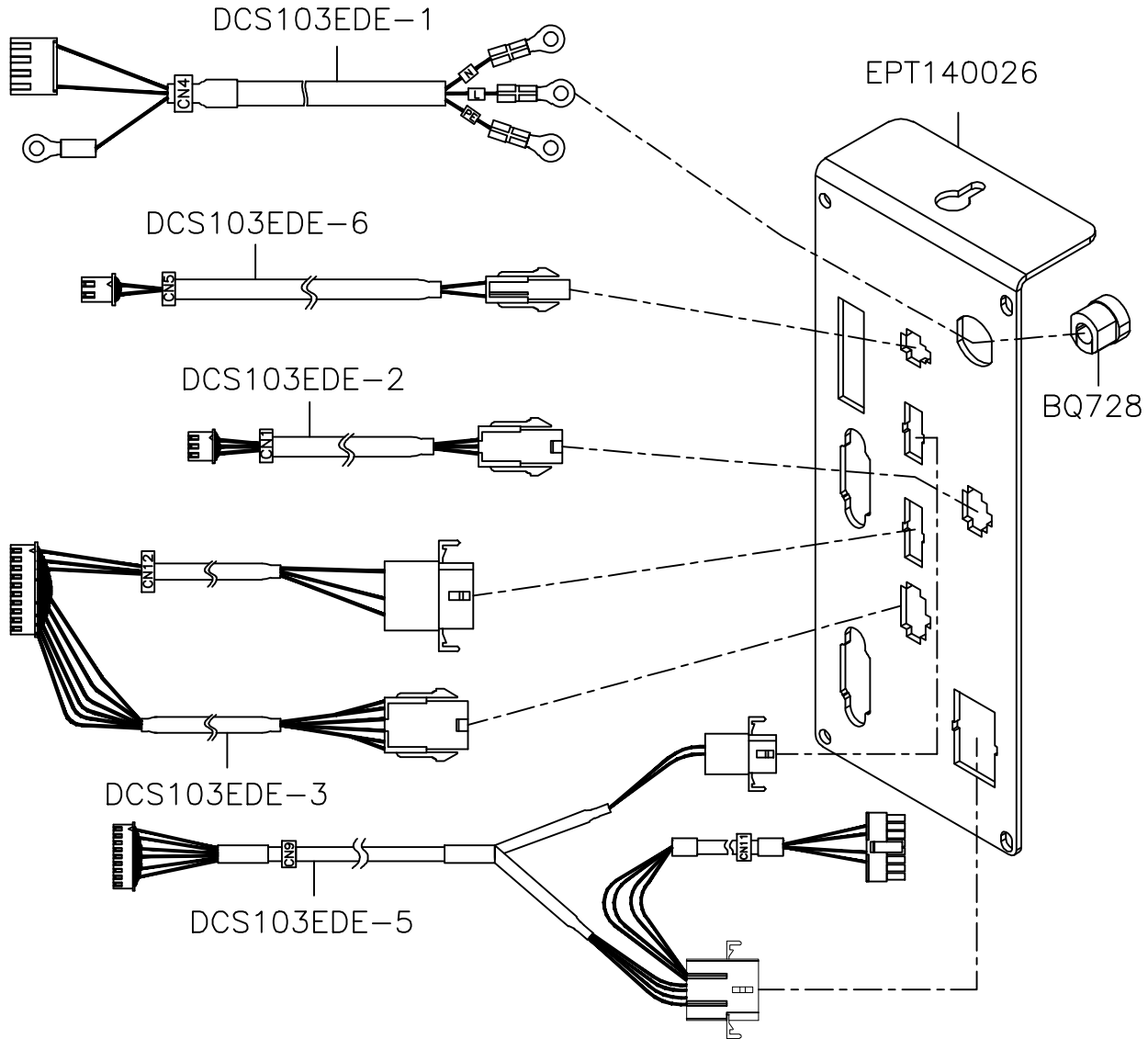
A

B

C

D

E



EPT140026-E

1

2

3

4

5

SIRUBA PARTS LIST	Series	Parts Group	Subclass / Remark	Page
	C007KP	ST-600W-01	# For Pneumatic Automatic % For Electric Automatic	5/6
				Date
				2024/9/06

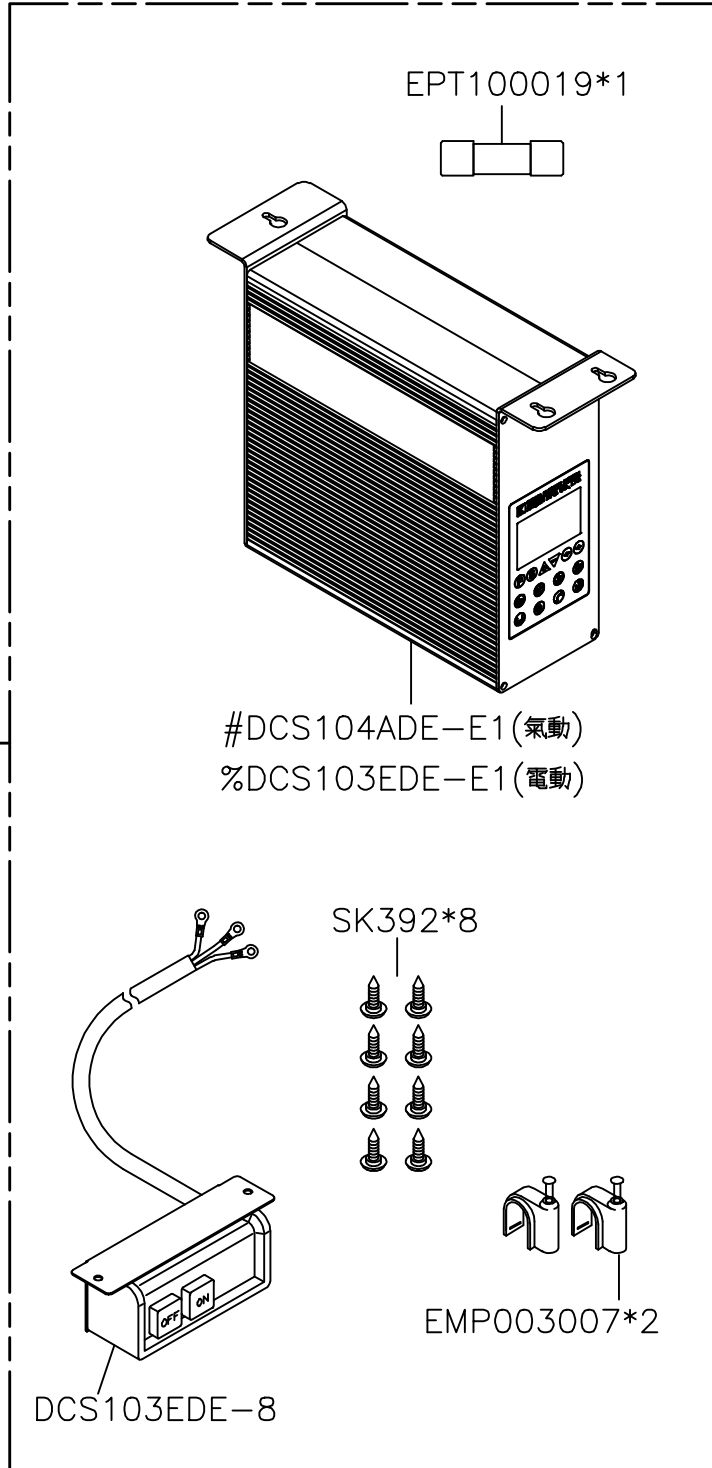
A

B

C

D

E



#DCS104ADE-A2(氣動)
%DCS103EDE-A2(電動)

#DCS104ADE-E1(氣動)
%DCS103EDE-E1(電動)

DCS103EDE-8

EPT100019*1

SK392*8

EMP003007*2

1

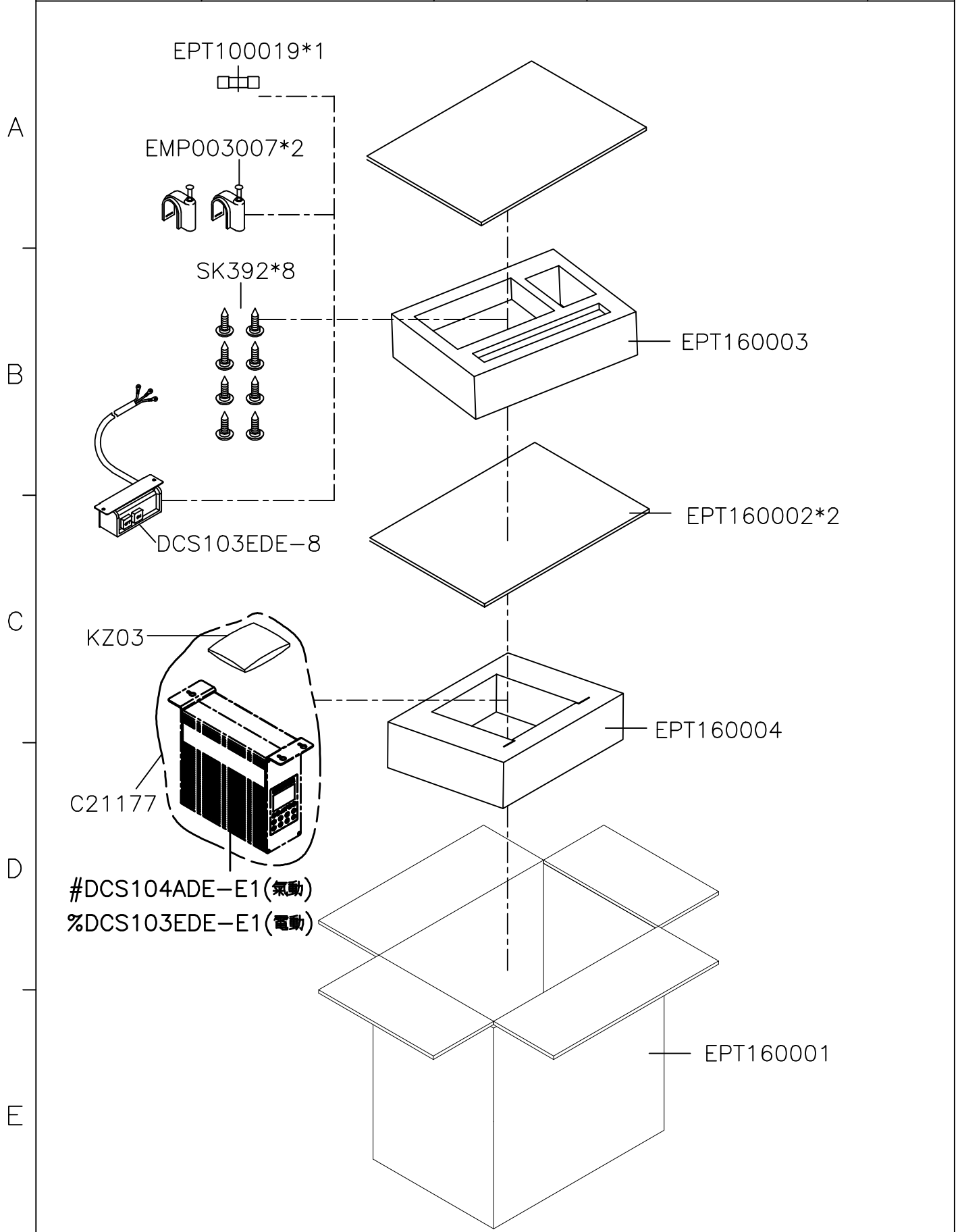
2

3

4

5

SIRUBA PARTS LIST	Series	Parts Group	Subclass / Remark	Page
	C007KP	ST-600W-01	# For Pneumatic Automatic % For Electric Automatic	6/6
				Date
				2024/09/08



SIRUBA

PARTS LIST

Series

**C007K/C007KD
C007KP/C858K**

Parts Group

UTP(UTQ)-K

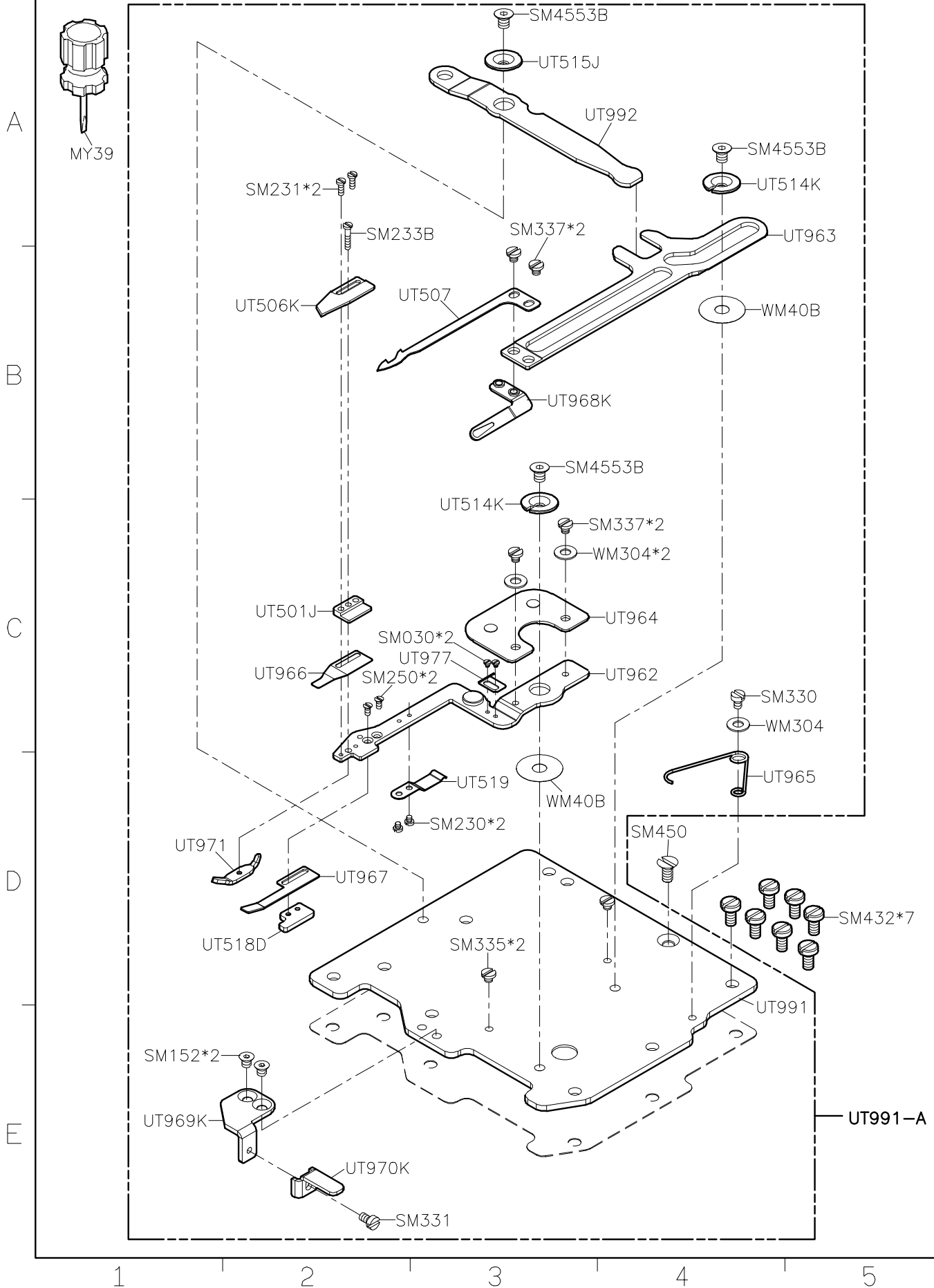
Subclass / Remark

Page

1/10

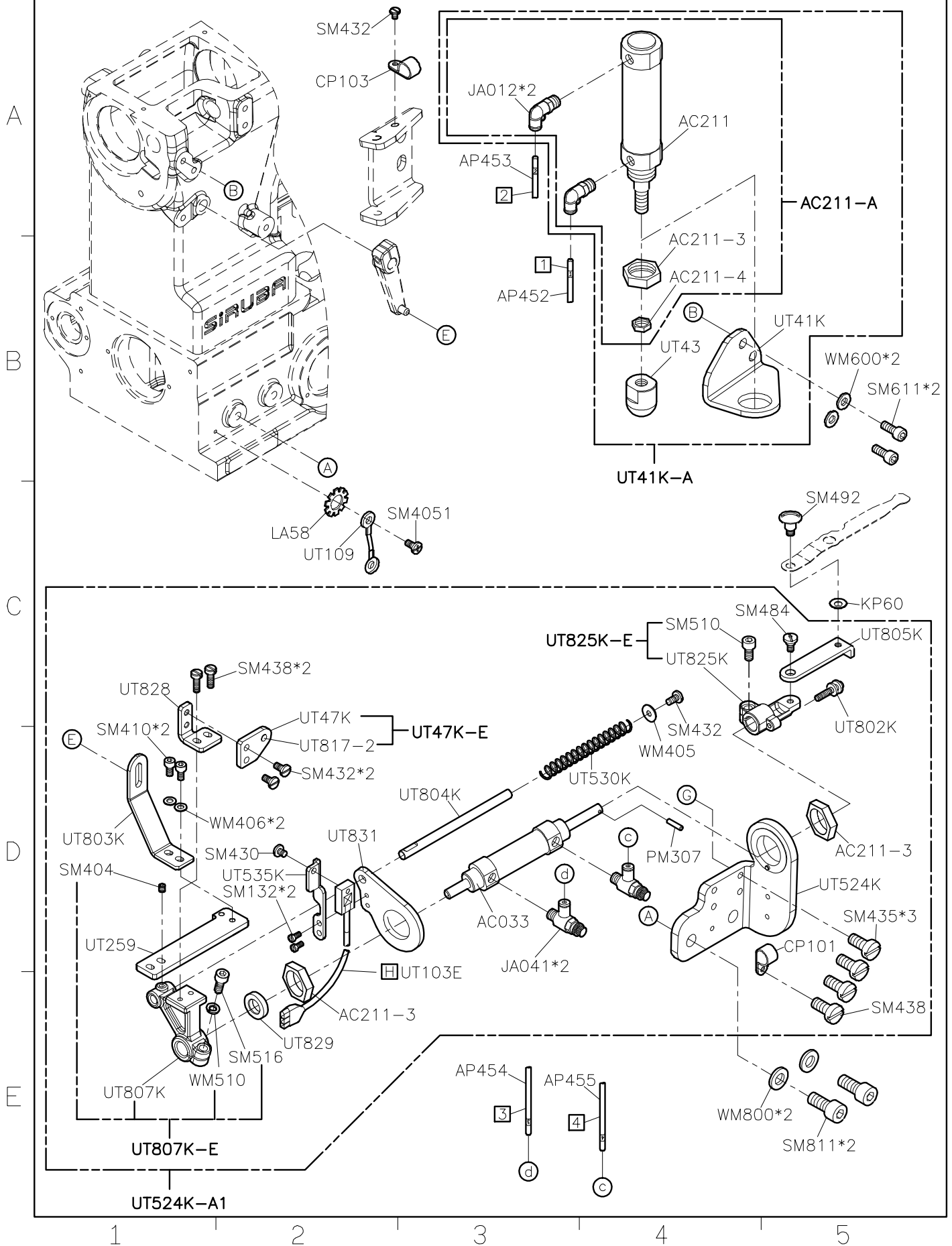
Date

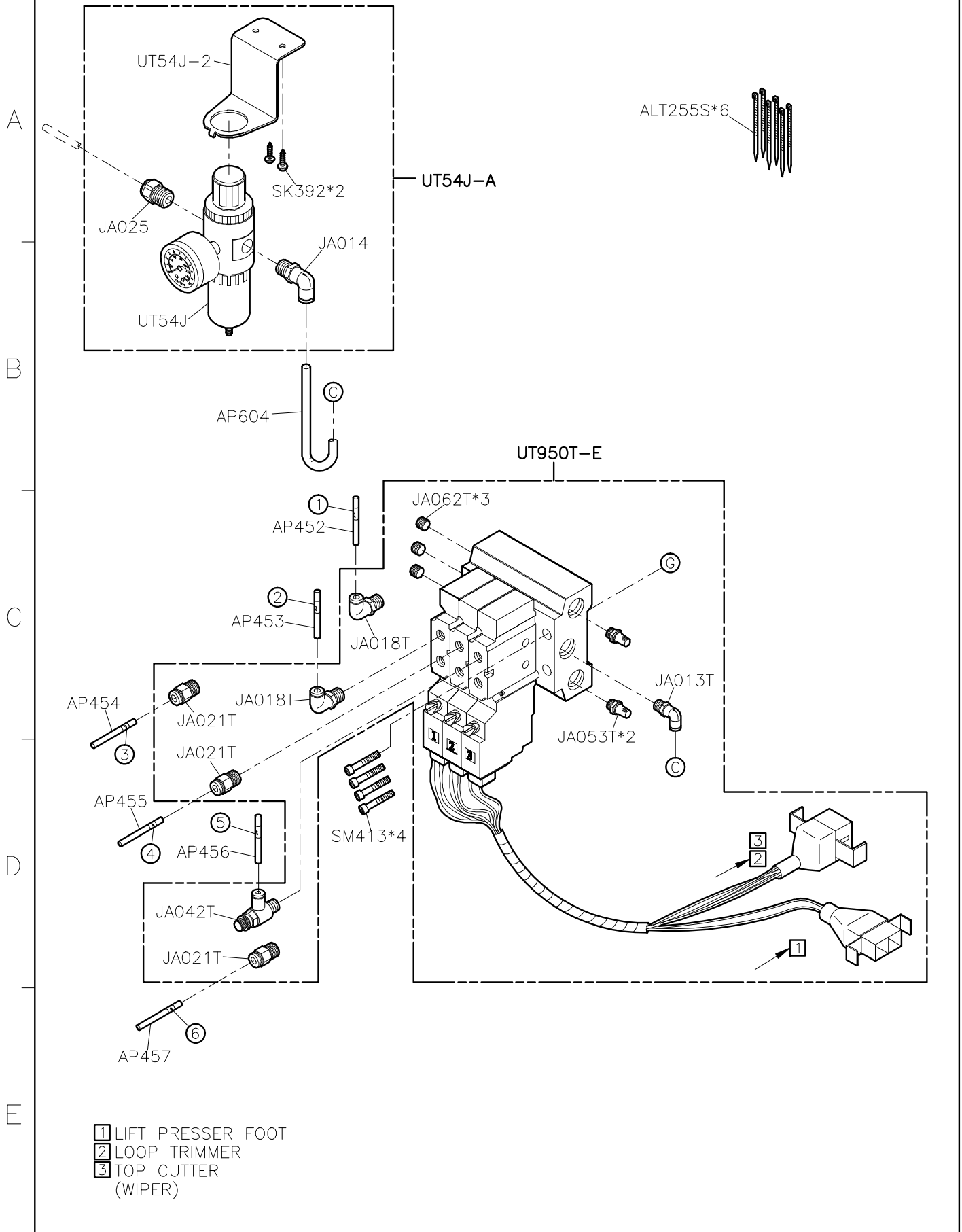
2020/3/12



SIRUBA**PARTS LIST****Series****C007K/C007KD
C007KP/C858K****Parts Group****UTP(UTQ)-K****Subclass / Remark**

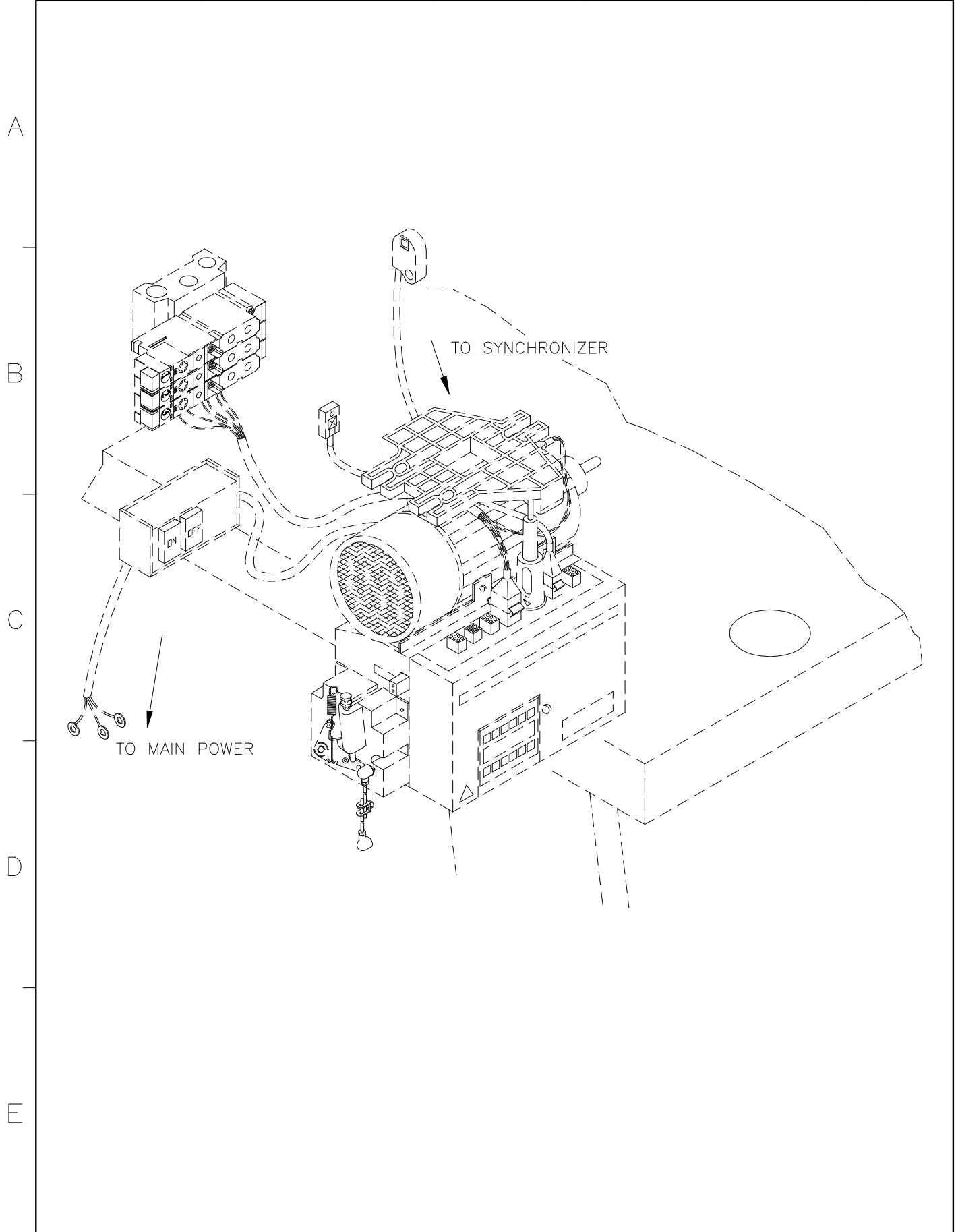
☐ : Use for H brand motor

Page**2/10****Date****2020/4/16**



- 1** LIFT PRESSER FOOT
- 2** LOOP TRIMMER
- 3** TOP CUTTER (WIPER)

SIRUBA PARTS LIST	Series	Parts Group	Subclass / Remark	Page
	C007K/C007KD	UTP(UTQ)-K		5/10
	C007KP/C858K			Date
				2020/3/12



SIRUBA

PARTS LIST

Series

**C007K/C007KD
C007KP/C858K**

Parts Group

UTP(UTQ)-K

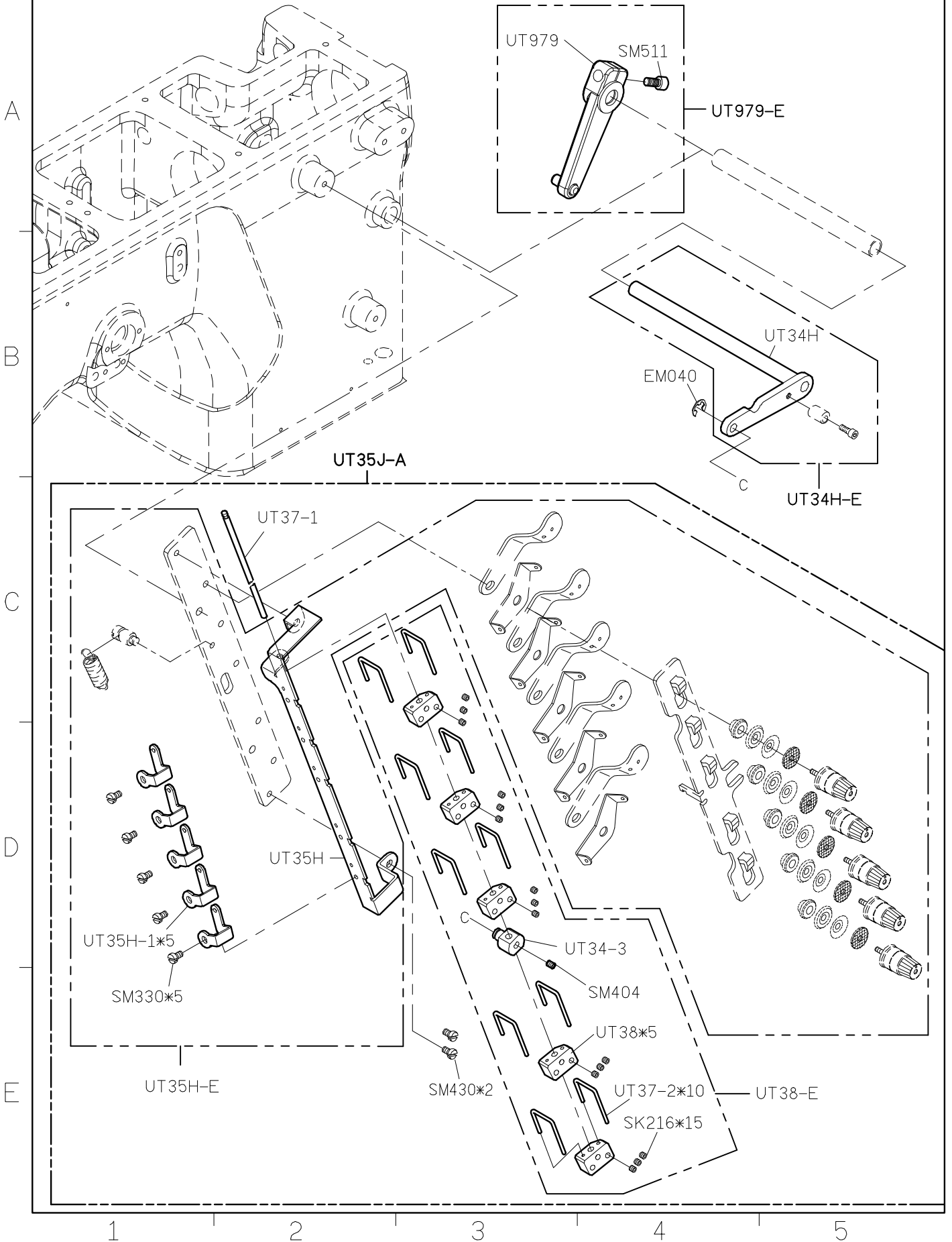
Subclass / Remark

Page

6/10

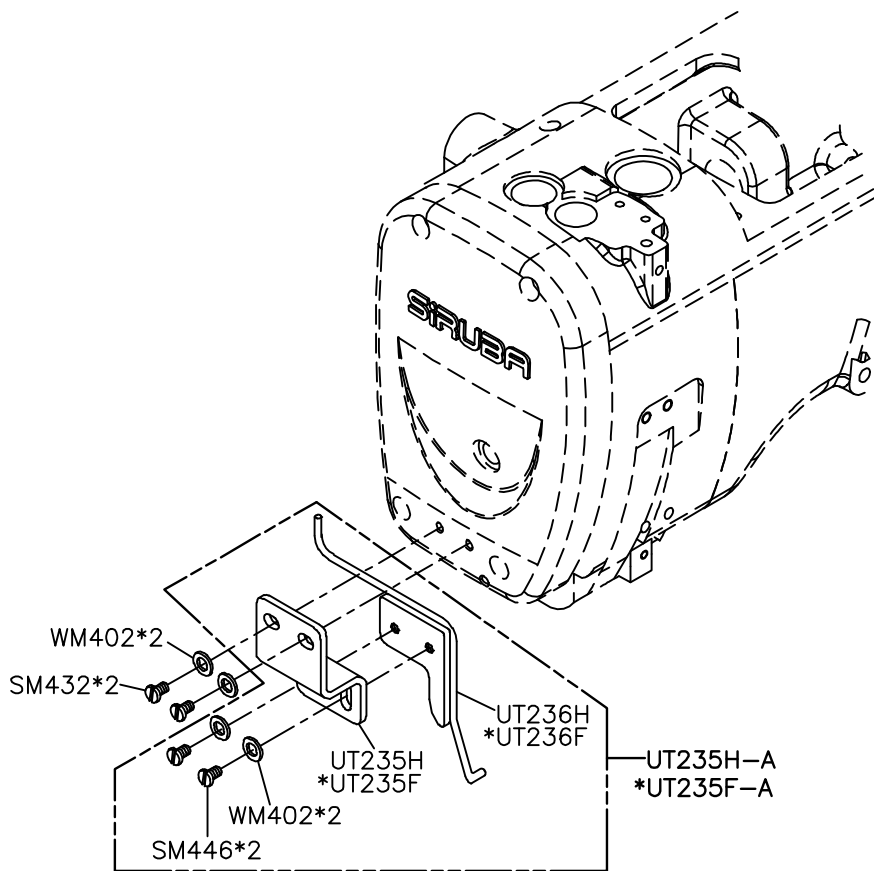
Date

2020/3/12

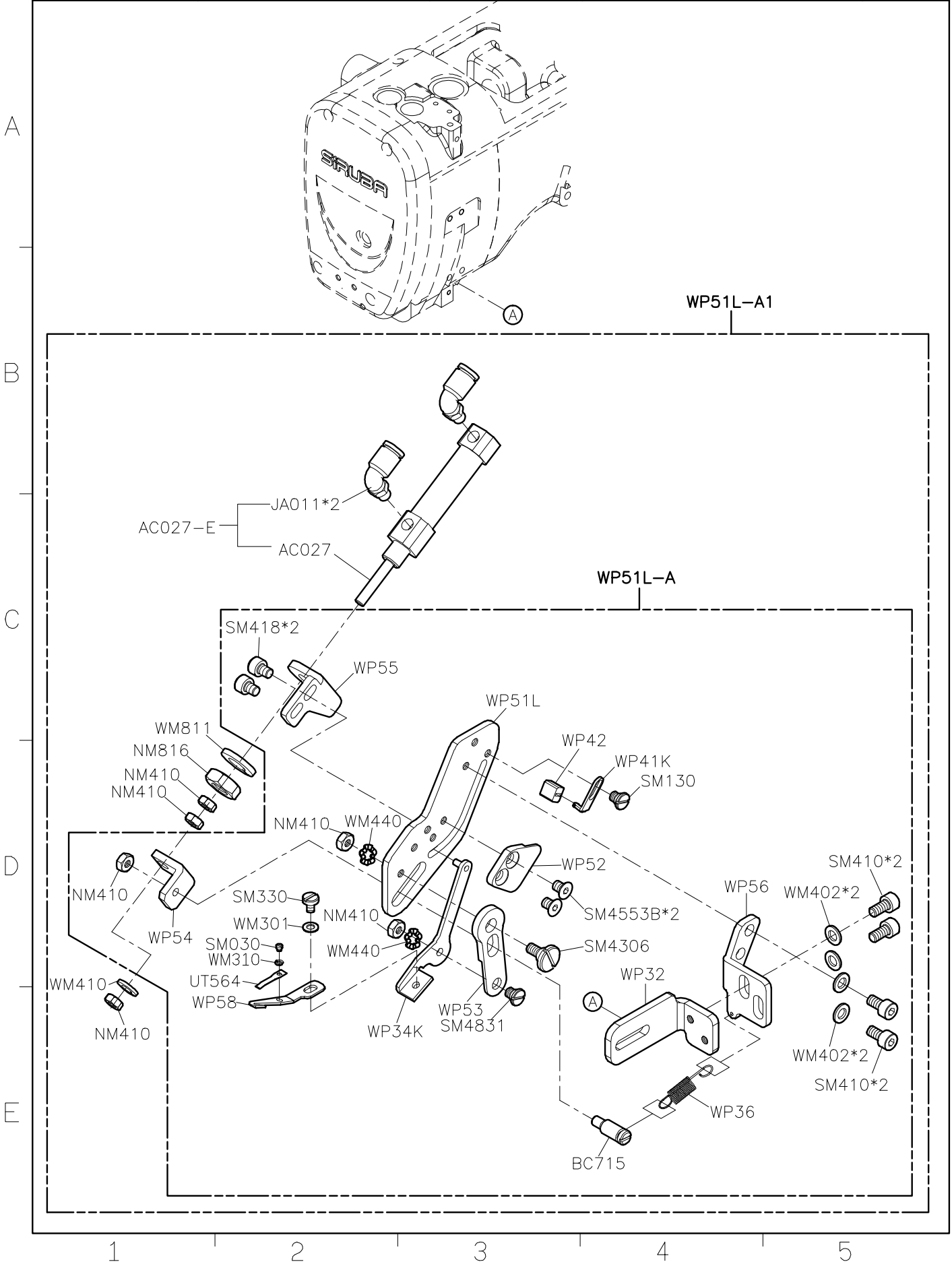


SIRUBA PARTS LIST	Series	Parts Group	Subclass / Remark	Page
	C007K/C007KD	UTQ-K	*Use for FFT	7/10
	C007KP/C858K			Date
	2022/06/22			

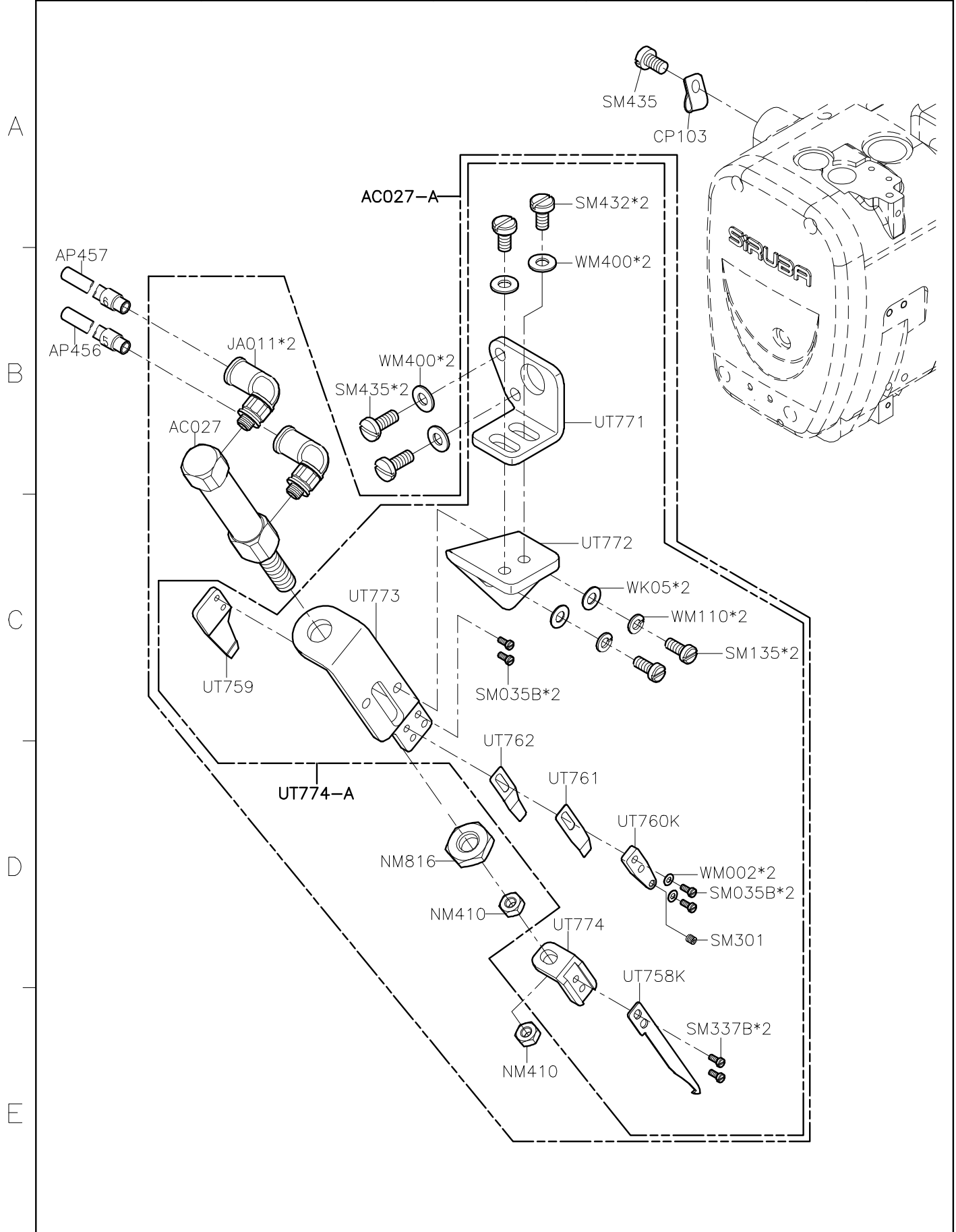
FOR LEFT SIDE



SIRUBA PARTS LIST	Series	Parts Group	Subclass / Remark	Page
	C007K/C007KD	UTQ-K1	For allocation	8/10
	C007KP/C858K			Date
				2020/4/17



SIRUBA PARTS LIST	Series	Parts Group	Subclass / Remark	Page
	C007K/C007KD	UTP-K		9/10
	C007KP/C858K			Date
				2020/3/12



1

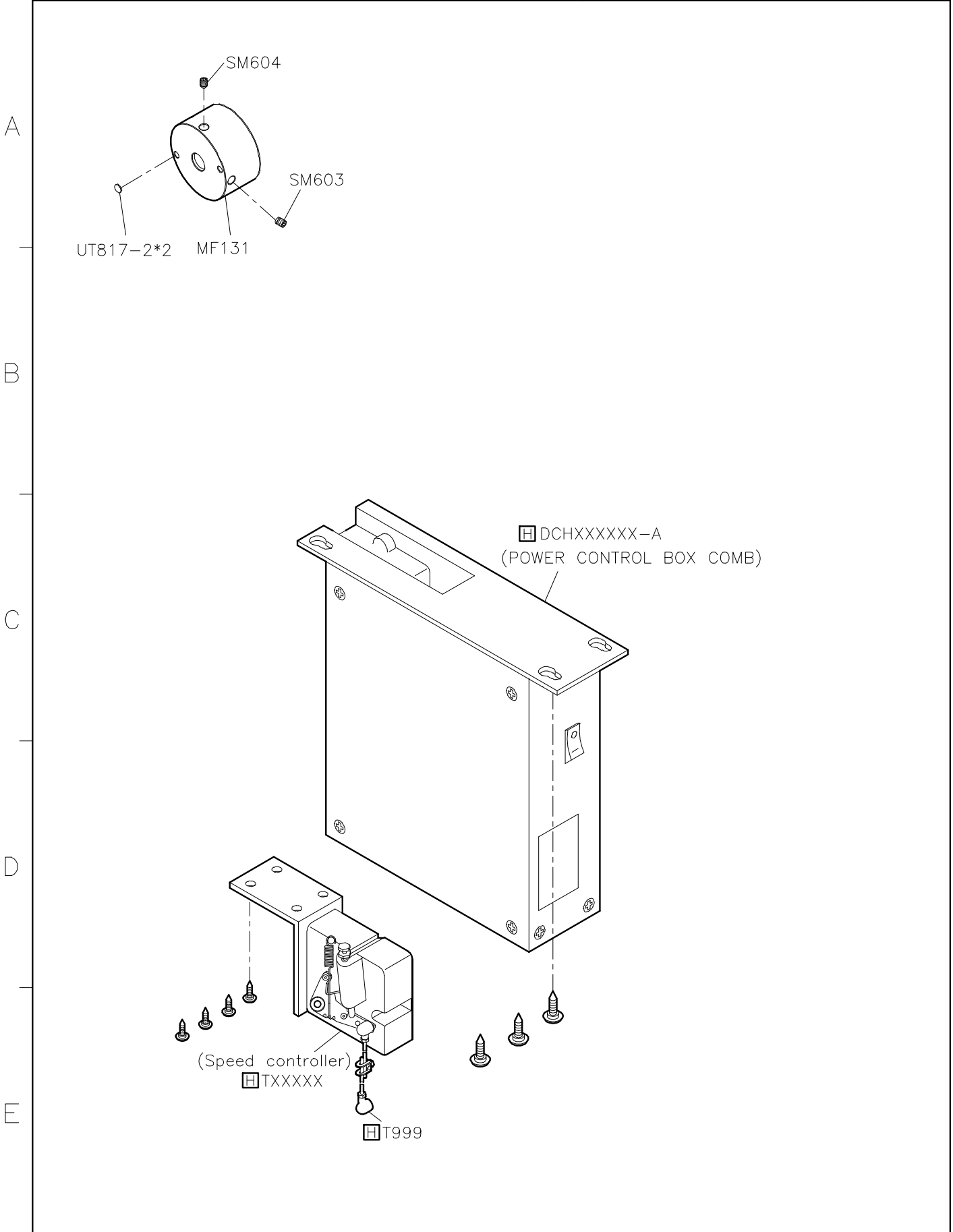
2

3

4

5

SIRUBA PARTS LIST	Series	Parts Group	Subclass / Remark	Page
	C007K/C007KD C007KP/C858K	UTP(UTQ)-K	For C007KD ☐H : Use for H brand motor (i-60)	10/10
				Date 2020/3/12



1

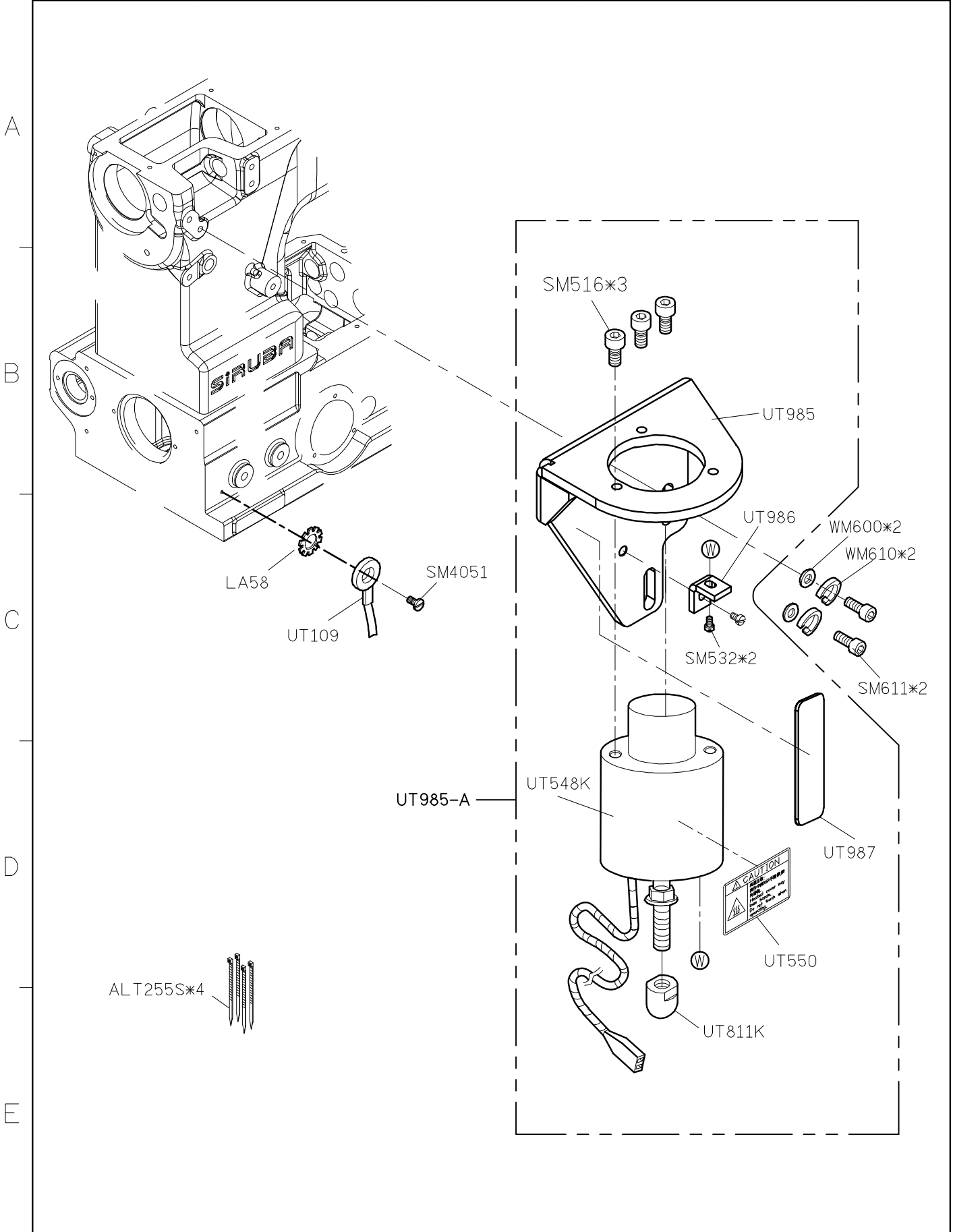
2

3

4

5

SIRUBA PARTS LIST	Series	Parts Group	Subclass / Remark	Page
	C007K/C007KD	UTR(UTS)-K		3/10
	C007KP/C858K			Date
				2020/4/17



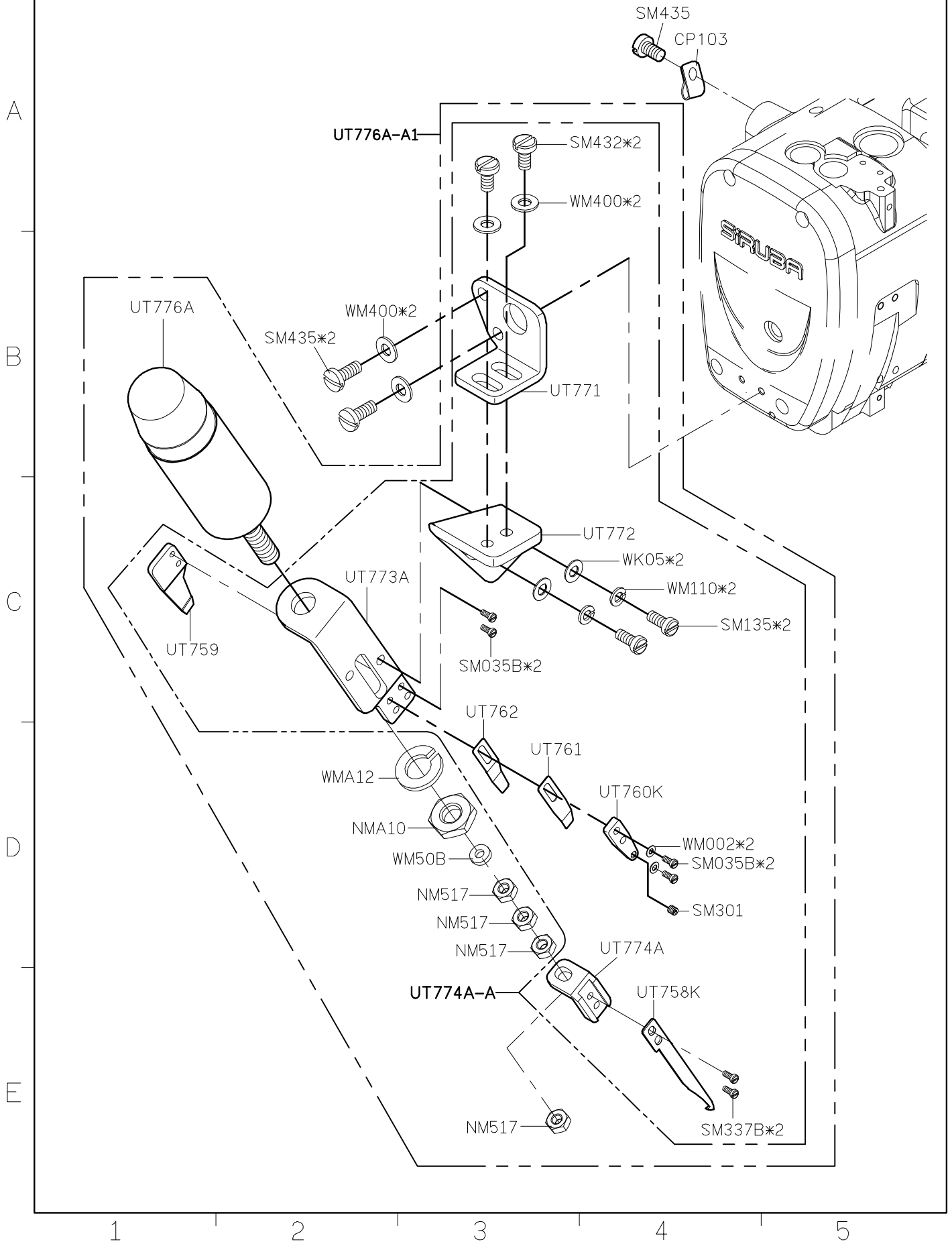
1

2

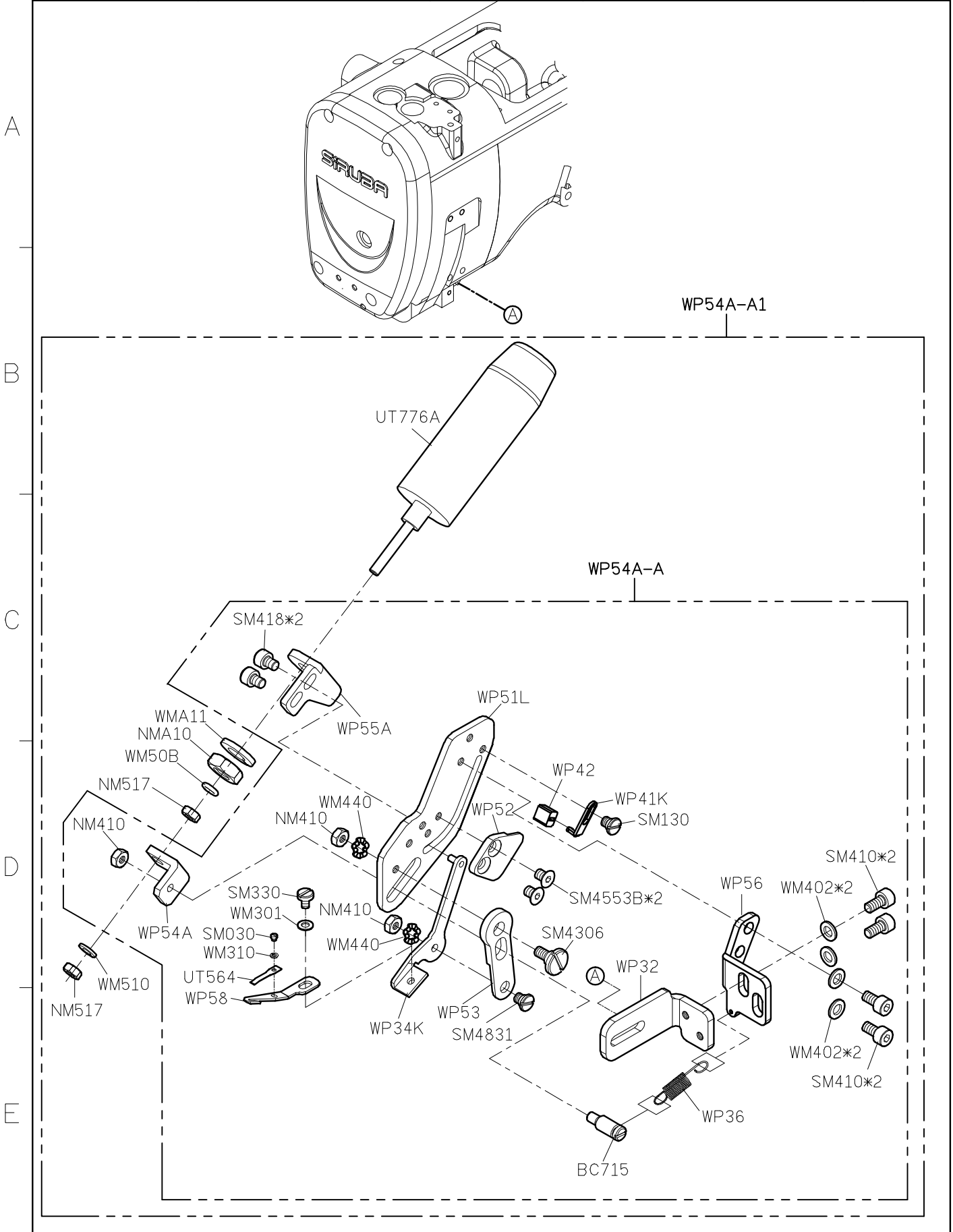
3

4

5



SIRUBA PARTS LIST	Series	Parts Group	Subclass / Remark	Page
	C007K/C007KD	UTS-K		7/10
	C007KP/C858K			Date
				2020/4/17



1

2

3

4

5