

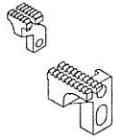












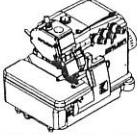

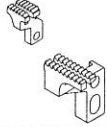












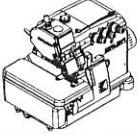

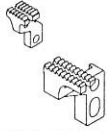












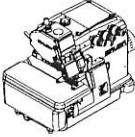

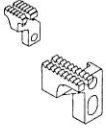















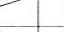
 <b>SIRUBA</b> GAUGE PARTS LIST	Series							Remark							Page	Date
	700L														1 / 4	2023/5/23

 機 型 MODEL		 針板 NEEDLE PLATE	 送具 FEED DOG	 送具 FEED DOG	 押具 PRESSER FOOT	 勾 針 LOOPER	 針留 NEEDLE CLAMP	 束 子 COLLER	 衝 程 CRANK	 衝 程 CRANK	 大 心 Crankshaft	 勾針連桿座 Upper Looper Holder	 過線器 Bracket	 下刀架 Lower Knife Holder	 針 號 NEEDLE		
737L	503M-3-04	E268	D210K	D207	H204K	P220-A1	LP231	KG231K-E	KJ247L-E	KF203-E	KJ206-E	KD201L	KJ236N	KJ219	KR209	DCX27#11	
	504F-2-04	E250	D201K	D207	H201K	P201-14A	LP225	KG231K-E	KJ247L-E	KF203-E	KJ206-E	KD201L	KJ236N	KJ219	KR209	DCX27#9	
	504F-2-15	E275	D201K	D217	H201K	P214P-A	LP225	KG231K-E	KJ247L-E	KF203-E	KJ206-E	KD201L	KJ236N	KJ219	KR209	DCX27#9	
	504F-2-02/GAL	E233K	D201K	D217	H201K	P214P-2A	LP225	KG231K-E	KJ247L-E	KF203-E	KJ206-E	KD201L	KJ236N	KJ219	KR209	DCX27#9	
	504M-2-15	E207K	D201K	D209	H201K	P211-A	LP225	KG231K-E	KJ247L-E	KF203-E	KJ206-E	KD201L	KJ236N	KJ219	KR209	DCX27#9	
	504M-3-04	E268	D210K	D207	H204K	P220-A1	LP225	KG231K-E	KJ247L-E	KF203-E	KJ206-E	KD201L	KJ236N	KJ219	KR209	DCX27#11	
	504M-3-04/LFC-3	E268	D210K	D207	H204K	P216-3	LP225	KG231K-E	KJ247L-E	KF203-E	KJ206-E	KD201L	KJ236N	KJ219	KR209	DCX27#11	
	504M-3-04/ECA-U	E222U	D210K	D207	H204K	P201-14A1	LP225	KG231K-E	KJ247L-E	KF203-E	KJ206-E	KD201L	KJ236N	KJ219	KR209	DCX27#11	
	504M-3-04/ECB-U	E222U	D210K	D207	H204K	P201-14A1	LP225	KG231K-E	KJ247L-E	KF203-E	KJ206-E	KD201L	KJ236N	KJ219	KR209	DCX27#11	
	504M-3-04/VTE-U	E222U	D210K	D207	H204K	P201-14A1	LP225	KG231K-E	KJ247L-E	KF203-E	KJ206-E	KD201L	KJ236N	KJ219	KR209	DCX27#11	
	WR/LFC-3	E246						LP225	KG231K-E	KJ247L-E	KF203-E	KJ206-E	KD201L	KJ236N	KJ219	DCX27#11	
	504M-3-05	E274	D210K	D207	H204K	P220-A1	LP225	KG231K-E	KJ247L-E	KF203-E	KJ206-E	KD201L	KJ236N	KJ219	KR209	DCX27#11	
	504M-7-04/BK	E232	D203K	D207	H203K	P202-2A	LP225	KG231K-E	KJ247L-E	KF203-E	KJ206-E	KD201L	KJ236N	KJ219	KR209	DCX27#11	
	505F-2-04	E250	D201K	D207	H201K	P203-A	LP225	KG231K-E	KJ247L-E	KF203-E	KJ206-E	KD201L	KJ236N	KJ219	KR209	DCX27#9	
	504F-2-15/VTE	E275	D201K	D217	H201K	P214P-A	LP225	KG231K-E	KJ247L-E	KF203-E	KJ206-E	KD201L	KJ236N	KJ219	KR209	DCX27#9	
	504M-3-04/ECA	E268	D210K	D207	H204K	P220-A3	LP225	KG231K-E	KJ247L-E	KF203-E	KJ206-E	KD201L	KJ236N	KJ219	KR209	DCX27#11	
	504M-3-04/ECB	E268	D210K	D207	H204K	P220-A3	LP225	KG231K-E	KJ247L-E	KF203-E	KJ206-E	KD201L	KJ236N	KJ219	KR209	DCX27#11	
	504M-3-04/VTE	E268	D210K	D207	H204K	P220-A3	LP225	KG231K-E	KJ247L-E	KF203-E	KJ206-E	KD201L	KJ236N	KJ219	KR209	DCX27#11	
	504M-3-03/BKF	E263	D210K	D217	H204K	P202-5A	LP225	KG231K-E	KJ247L-E	KF203-E	KJ206-E	KD201L	KJ236N	KJ219	KR209	DCX27#11	
	504M-3-04/BKF	E264	D210K	D217	H204K	P202-5A	LP225	KG231K-E	KJ247L-E	KF203-E	KJ206-E	KD201L	KJ236N	KJ219	KR209	DCX27#11	
504M-3-05/BKF	E265	D210K	D217	H204K	P202-5A	LP225	KG231K-E	KJ247L-E	KF203-E	KJ206-E	KD201L	KJ236N	KJ219	KR209	DCX27#11		
747L	512M-3-25	E276	D210K	D207	H204K	P220-A2	LP228	KG242K-E	KJ247L-E	KF215-E	KJ203-E	KD201L	KJ208N	KJ219	KR209	DCX27#11*2	
	512M-3-34	E236	D210K	D207	H204K	P214-A	LP228	KG254K-E	KJ247L-E	KF215-E	KJ203-E	KD201L	KJ228N	KJ219	KR209	DCX27#14*2	
	514M-8-24/GA	E252	D202K	D207	H202K	P204-A	LP226	KG242K-E	KJ246L-E	KF203-E	KJ203-E	KD201L	KJ208N	KJ219	KR209	DCX27#11*2	
	503M-2-23	E278	D201K	D207	H201K	P220-A5	LP231	KG242K-E	KJ246L-E	KF203-E	KJ203-E	KD201L	KJ208N	KJ219	KR209	DCX27#11*2	
	514M-3-24	E252	D210K	D207	H204K	P220-A2	LP226	KG242K-E	KJ246L-E	KF203-E	KJ203-E	KD201L	KJ208N	KJ219	KR209	DCX27#11*2	
	514M-3-24/TG	E252	D210K	D207	H204K	P226-A	LP226	KG242K-E	KJ246L-E	KF203-E	KJ203-E	KD201L	KJ208N	KJ219	KR209	DCX27#11*2	
	514M-3-24/LFC-3	E252	D210K	D207	H204K	P216-4	LP226	KG242K-E	KJ246L-E	KF203-E	KJ203-E	KD201L	KJ208N	KJ219	KR209	DCX27#11*2	
	514M-3-24/ECA-U	E229U	D210K	D207	H204K	P201U-A1	LP226	KG242K-E	KJ246L-E	KF203-E	KJ203-E	KD201L	KJ208N	KJ219	KR209	DCX27#11*2	

SIRUBA GAUGE PARTS LIST		Series							Remark							Page	Date
		700L														2 / 4	2023/01/03
																	
機 型 MODEL		針板 NEEDLE PLATE	送 具 FEED DOG		送 具 FEED DOG	押 具 PRESSER FOOT	勾 針 LOOPER	針留 NEEDLE CLAMP	束 子 COLLER	衝 程 CRANK	衝 程 CRANK	大 心 Crankshaft	勾針連桿座 Upper Looper	過線器 Bracket	下刀架 Lower Knife	針 號 NEEDLE	
747L	514M-3-24/ECB-U	E229U	D210K	D207	H204K	P201U-A1	LP226	KG242K-E	KJ246L-E	KF203-E	KJ203-E	KD201L	KJ208N	KJ219	KR209	DCX27#11*2	
	514M-3-24/VTE-U	E229U	D210K	D207	H204K	P201U-A1	LP226	KG242K-E	KJ246L-E	KF203-E	KJ203-E	KD201L	KJ208N	KJ219	KR209	DCX27#11*2	
	514M-3-24/EC	E252	D210K	D207	H204K	P220-A2	LP226	KG242K-E	KJ246L-E	KF203-E	KJ203-E	KD201L	KJ208N	KJ219	KR209	DCX27#11*2	
	514M-3-24/CIE	E252	D210K	D207	H204K	P220-A2	LP226	KG242K-E	KJ246L-E	KF203-E	KJ203-E	KD201L	KJ208N	KJ219	KR209	DCX27#11*2	
	514M-3-24/ECA	E252	D210K	D207	H204K	P220-A4	LP226	KG242K-E	KJ246L-E	KF203-E	KJ203-E	KD201L	KJ208N	KJ219	KR209	DCX27#11*2	
	514M-3-24/ECB	E252	D210K	D207	H204K	P220-A4	LP226	KG242K-E	KJ246L-E	KF203-E	KJ203-E	KD201L	KJ208N	KJ219	KR209	DCX27#11*2	
	514M-3-24/VTA	E252	D210K	D207	H204K	P220-A2	LP226	KG242K-E	KJ246L-E	KF203-E	KJ203-E	KD201L	KJ208N	KJ219	KR209	DCX27#11*2	
	514M-3-24/VTE	E252	D210K	D207	H204K	P220-A2	LP226	KG242K-E	KJ246L-E	KF203-E	KJ203-E	KD201L	KJ208N	KJ219	KR209	DCX27#11*2	
	514M-3-24/VT/UC	E252	D210K	D207	H204K	P220-A4	LP226	KG242K-E	KJ246L-E	KF203-E	KJ203-E	KD201L	KJ208N	KJ219	KR209	DCX27#11*2	
	514M-3-24/ECA/BKT	E209P	D210P	D207	H204P	P220-A4	LP226	KG242K-E	KJ246L-E	KF203-E	KJ203-E	KD201L	KJ208N	KJ219	KR209	DCX27#11*2	
	514M-3-24/BKF	E247K	D203	D217	H240	P202-4A	LP226	KG242K-E	KJ246L-E	KF203-E	KJ203-E	KD201L	KJ208N	KJ219	KR209	DCX27#11*2	
	514M-3-25	E276	D210K	D207	H204K	P220-A2	LP226	KG242K-E	KJ246L-E	KF203-E	KJ203-E	KD201L	KJ208N	KJ219	KR209	DCX27#11*2	
	514M-3-25/TG	E276	D210K	D207	H204K	P226-A	LP226	KG242K-E	KJ246L-E	KF203-E	KJ203-E	KD201L	KJ228N	KJ219	KR209	DCX27#11*2	
	514M-3-25/LFC-3	E276	D210K	D207	H204K	P216-4	LP226	KG242K-E	KJ246L-E	KF203-E	KJ203-E	KD201L	KJ208N	KJ219	KR209	DCX27#11*2	
	514H-3-28	E239	D210K	D207	H204K	P201-8A	LP227A	KG242K-E	KJ248L-E	KF203-E	KJ203-E	KD201LA	KJ228N	KJ238	KR209	DCX27#11*2	
	514H-3-28/ECA-U	E239U	D210K	D207	H204K	P201-8A1	LP227A	KG242K-E	KJ248L-E	KF203-E	KJ203-E	KD201LA	KJ228N	KJ238	KR209	DCX27#11*2	
	514H-3-28/ECA	E239	D210K	D207	H204K	P201-8A1	LP227A	KG242K-E	KJ248L-E	KF203-E	KJ203-E	KD201LA	KJ228N	KJ238	KR209	DCX27#11*2	
	514H-3-28/ECB	E239	D210K	D207	H204K	P201-8A1	LP227A	KG242K-E	KJ248L-E	KF203-E	KJ203-E	KD201LA	KJ228N	KJ238	KR209	DCX27#11*2	
	514H-3-28/VTE	E239	D210K	D207	H204K	P201-8A1	LP227A	KG242K-E	KJ248L-E	KF203-E	KJ203-E	KD201LA	KJ228N	KJ238	KR209	DCX27#11*2	
	514M-3-23	E249	D210K	D209	H204K	P220-A2	LP226	KG242K-E	KJ246L-E	KF203-E	KJ203-E	KD201L	KJ208N	KJ219	KR209	DCX27#11*2	
514M-3-23/ECB-U	E251U	D210K	D207	H204K	P220-A2	LP226	KG242K-E	KJ246L-E	KF203-E	KJ203-E	KD201L	KJ208N	KJ219	KR209	DCX27#11*2		
514M-3-23/BKF	E248K	D203	D217	H240	P202-3A	LP226	KG242K-E	KJ246L-E	KF203-E	KJ203-E	KD201L	KJ208N	KJ219	KR209	DCX27#11*2		
514M-7-23/BK	E210	D203K	D207	H203K	P202-A	LP226	KG242K-E	KJ246L-E	KF203-E	KJ203-E	KD201L	KJ208N	KJ219	KR209	DCX27#11*2		
514M-7-24/BK	E247	D203K	D207	H203K	P202-A	LP226	KG242K-E	KJ246L-E	KF203-E	KJ203-E	KD201L	KJ208N	KJ219	KR209	DCX27#11*2		
514H-4-24	E226	D212	D207	H210	P220-A	LP230	KG242K-E	KJ248L-E	KF203-E	KJ203-E	KD201LA	KJ228N	KJ238	KR209	DCX27#16*2		
514H-4-24/TG	E226	D212	D207	H210	P226-A	LP230	KG242K-E	KJ248L-E	KF203-E	KJ203-E	KD201LA	KJ228N	KJ238	KR209	DCX27#16*2		
514H-4-25/ECA-U	E225U	D212	D207	H210	P201U-A1	LP230	KG242K-E	KJ248L-E	KF203-E	KJ203-E	KD201LA	KJ228N	KJ238	KR209	DCX27#16*2		
514H-4-25/ECB-U	E225U	D212	D207	H210	P201U-A1	LP230	KG242K-E	KJ248L-E	KF203-E	KJ203-E	KD201LA	KJ228N	KJ238	KR209	DCX27#16*2		

SIRUBA GAUGE PARTS LIST		Series							Remark							Page	Date
		700L														3 / 4	2023/01/03
																	
機 型 MODEL		針板 NEEDLE PLATE	送 具 FEED DOG		送 具 FEED DOG	押 具 PRESSER FOOT	勾 針 LOOPER	針留 NEEDLE CLAMP	束 子 COLLER	衝 程 CRANK	衝 程 CRANK	大 心 Crankshaft	勾針連桿座 Upper Looper Holder	過線器 Bracket	下刀架 Lower Knife Holder	針 號 NEEDLE	
747L	514H-4-25	E225	D212	D207	H210	P220-A	LP230	KG242K-E	KJ248L-E	KF203-E	KJ203-E	KD201LA	KJ228N	KJ238	KR209	DCX27#16*2	
	514H-4-25/TG	E225	D212	D207	H210	P226-A	LP230	KG242K-E	KJ248L-E	KF203-E	KJ203-E	KD201LA	KJ228N	KJ238	KR209	DCX27#16*2	
	514H-7-24/BK	E247	D203K	D207	H203K	P202-A	LP230	KG242K-E	KJ248L-E	KF203-E	KJ203-E	KD201LA	KJ228N	KJ238	KR209	DCX27#16*2	
	514H-7-25/BK	E248	D203K	D207	H203K	P202-A	LP230	KG242K-E	KJ248L-E	KF203-E	KJ203-E	KD201LA	KJ228N	KJ238	KR209	DCX27#16*2	
757L	516M-8-35/GA	E213	D204K	D207	H205K	P508J-A	LP226	KG253K-E	KJ247L-E	KF203-E	KJ206-E	KD201L	KJ236N	KJ219	KR219	DCX27#14*2	
	516M-8-55/GA	E214	D205K	D207	H206K	P509J-A	LP226	KG255K-E	KJ247L-E	KF203-E	KJ206-E	KD201L	KJ236N	KJ219	KR219	DCX27#14*2	
	516L-2-24	E215	D206	D207	H207	P500J-A	LP225	KG252K-E	KJ247L-E	KF203-E	KJ206-E	KD201L	KJ236N	KJ219	KR219	DCX27#14*2	
	516L-2-24/CTE	E215	D206	D207	H207	P500J-A	LP225	KG252K-E	KJ247L-E	KF203-E	KJ206-E	KD201L	KJ236N	KJ219	KR219	DCX27#14*2	
	516L-2-35	E216	D206	D207	H212	P504K-A	LP225	KG253K-E	KJ247L-E	KF203-E	KJ206-E	KD201L	KJ236N	KJ219	KR219	DCX27#14*2	
	516M-3-35	E269	D208K	D207	H208K	P504K-A	LP226	KG253K-E	KJ247L-E	KF203-E	KJ206-E	KD201L	KJ236N	KJ219	KR219	DCX27#11*2	
	516M-3-35/PS	E227	D208K	D207	H214K	P504JS-A	LP226	KG253K-E	KJ247L-E	KF203-E	KJ206-E	KD201L	KJ236N	KJ219	KR219	DCX27#14*2	
	516M-3-35/ECA-U	E217U	D208K	D207	H214K	P504J-A	LP226	KG253K-E	KJ247L-E	KF203-E	KJ206-E	KD201L	KJ236N	KJ219	KR219	DCX27#11*2	
	516M-3-35/ECB-U	E217U	D208K	D207	H214K	P504J-A	LP226	KG253K-E	KJ247L-E	KF203-E	KJ206-E	KD201L	KJ236N	KJ219	KR219	DCX27#11*2	
	516M-3-35/CTE	E217U	D208K	D207	H214K	P504J-A	LP226	KG253K-E	KJ247L-E	KF203-E	KJ206-E	KD201L	KJ236N	KJ219	KR219	DCX27#11*2	
	516M-3-35/ECA	E269	D208K	D207	H208K	P504K-A	LP226	KG253K-E	KJ247L-E	KF203-E	KJ206-E	KD201L	KJ236N	KJ219	KR219	DCX27#11*2	
	516M-3-35/ECB	E269	D208K	D207	H208K	P504K-A	LP226	KG253K-E	KJ247L-E	KF203-E	KJ206-E	KD201L	KJ236N	KJ219	KR219	DCX27#11*2	
	516M-3-55	E254	D208K	D207	H209K	P502K-A	LP226	KG255K-E	KJ247L-E	KF203-E	KJ206-E	KD201L	KJ236N	KJ219	KR219	DCX27#14*2	
	516M-3-55/PS	E228	D208K	D207	H215K	P502JS-A	LP226	KG255K-E	KJ247L-E	KF203-E	KJ206-E	KD201L	KJ236N	KJ219	KR219	DCX27#14*2	
	516M-3-55/FCA-U	E218U	D208K	D207	H209K	P502J-A	LP226	KG255K-E	KJ247L-E	KF203-E	KJ206-E	KD201L	KJ236N	KJ219	KR219	DCX27#11*2	
	516M-3-55/ECB-U	E218U	D208K	D207	H209K	P502J-A	LP226	KG255K-E	KJ247L-E	KF203-E	KJ206-E	KD201L	KJ236N	KJ219	KR219	DCX27#11*2	
	516M-3-55/CTE	E218U	D208K	D207	H209K	P502J-A	LP226	KG255K-E	KJ247L-E	KF203-E	KJ206-E	KD201L	KJ236N	KJ219	KR219	DCX27#11*2	
	516M-3-55/ECA	E254	D208K	D207	H209K	P502K-A	LP226	KG255K-E	KJ247L-E	KF203-E	KJ206-E	KD201L	KJ236N	KJ219	KR219	DCX27#14*2	
	516M-3-55/ECB	E254	D208K	D207	H209K	P502K-A	LP226	KG255K-E	KJ247L-E	KF203-E	KJ206-E	KD201L	KJ236N	KJ219	KR219	DCX27#14*2	
	516H-3-55	E259	D602	D601	H220A	P964-A	LP233	KG255K-E	KJ246L-E	KF215-E	KJ203-E	KD201LA	KJ208N	KJ233	KR223	DCX27#21*2	
516H-3-55/FCA-U	E218U	D602	D601	H220A	P964-A	LP233	KG255K-E	KJ246L-E	KF215-E	KJ203-E	KD201LA	KJ208N	KJ233	KR223	DCX27#21*2		
516H-3-56	E260	D602	D601	H220A	P964-A	LP233	KG255K-E	KJ246L-E	KF215-E	KJ203-E	KD201LA	KJ208N	KJ233	KR223	DCX27#21*2		
516X-3-55	E259	D602	D601	H220A	P964-A	LP233	KG601-E	KJ246L-E+KJ234	KF203-E	KJ602-E	KD601	KJ601K	KJ233	KR223	DCX27#21*2		
516X-3-56	E260	D602	D601	H220A	P964-A	LP233	KG601-E	KJ246L-E+KJ234	KF203-E	KJ602-E	KD601	KJ601K	KJ233	KR223	DCX27#21*2		

SiRUBA GAUGE PARTS LIST		Series					Remark										Page	Date
		700L															4 / 4	2023/01/03
																		
機 型 MODEL		針板 NEEDLE PLATE	送 具 FEED DOG		送 具 FEED DOG	押 具 PRESSER FOOT	勾 針 LOOPER	針留 NEEDLE CLAMP	束 子 COLLER	衝 程 CRANK	衝 程 CRANK	大 心 Crankshaft	勾針連桿座 Upper Looper Holder	過線器 Bracket	下刀架 Lower Knife Holder	針 號 NEEDLE		
757L	516X-3-56/ECA-U	F234U	D602	D601	H220A	P964-A	LP233	KG601-E	KJ246L-E+KJ234	KF203-E	KJ602-E	KD601	KJ601K	KJ233	KR223	DCX27#21*2		
	516X-3-56/ECB-U	E234U	D602	D601	H220A	P964-A	LP233	KG601-E	KJ246L-E+KJ234	KF203-E	KJ602-E	KD601	KJ601K	KJ233	KR223	DCX27#21*2		
	516X-3-56/CTE	E234U	D602	D601	H220A	P964-A	LP233	KG601-E	KJ246L-E+KJ234	KF203-E	KJ602-E	KD601	KJ601K	KJ233	KR223	DCX27#21*2		
	401M-8-30/TA	E235	D211K	D222K	H216K	P224-A		KG266-E	KJ247L-E	KF203-E	KJ206-E	KD201L	TW201		KR219	DCX27#14*2		
	401M-8-50/TA	E238	D211K	D222K	H216K	P223-A		KG256K-E	KJ247L-E	KF203-E	KJ206-E	KD201L	TW201		KR219	DCX27#14*2		
767L	644M-3-324	E272	D208K	D207	H209K	P233K-A	LP226	KG433K-E	KJ246L-E	KF203-E	KJ203-E	KD201L	KJ208N	KJ219	KR219	DCX27#11*3		
	644M-3-324/ECB	E272	D208K	D207	H209K	P233K-A	LP226	KG433K-E	KJ246L-E	KF203-E	KJ203-E	KD201L	KJ208N	KJ219	KR219	DCX27#11*3		
	644M-3-324/CT	E272	D208K	D207	H209K	P233K-A	LP226	KG433K-E	KJ246L-E	KF203-E	KJ203-E	KD201L	KJ208N	KJ219	KR219	DCX27#11*3		
	644M-3-324/ECA-U	E219U	D208K	D207	H209K	P233J-A	LP226	KG433K-E	KJ246L-E	KF203-E	KJ203-E	KD201L	KJ208N	KJ219	KR219	DCX27#11*3		
	644M-3-324/ECB-U	E219U	D208K	D207	H209K	P233J-A	LP226	KG433K-E	KJ246L-E	KF203-E	KJ203-E	KD201L	KJ208N	KJ219	KR219	DCX27#11*3		
	644M-3-524	E273	D208K	D207	H209K	P255K-A	LP226	KG455K-E	KJ246L-E	KF203-E	KJ203-E	KD201L	KJ228N	KJ219	KR219	DCX27#11*3		
	644M-3-524/CT	E273	D208K	D207	H209K	P255K-A	LP226	KG455K-E	KJ246L-E	KF203-E	KJ203-E	KD201L	KJ228N	KJ219	KR219	DCX27#11*3		
644M-3-524/ECB-U	E224U	D208K	D207	H209K	P255J-A	LP226	KG455K-E	KJ246L-E	KF203-E	KJ203-E	KD201L	KJ228N	KJ219	KR219	DCX27#11*3			

**SIRUBA**

**PARTS LIST**

**Series**

**700L**

**Parts Group**

**KA**

**Subclass / Remark**

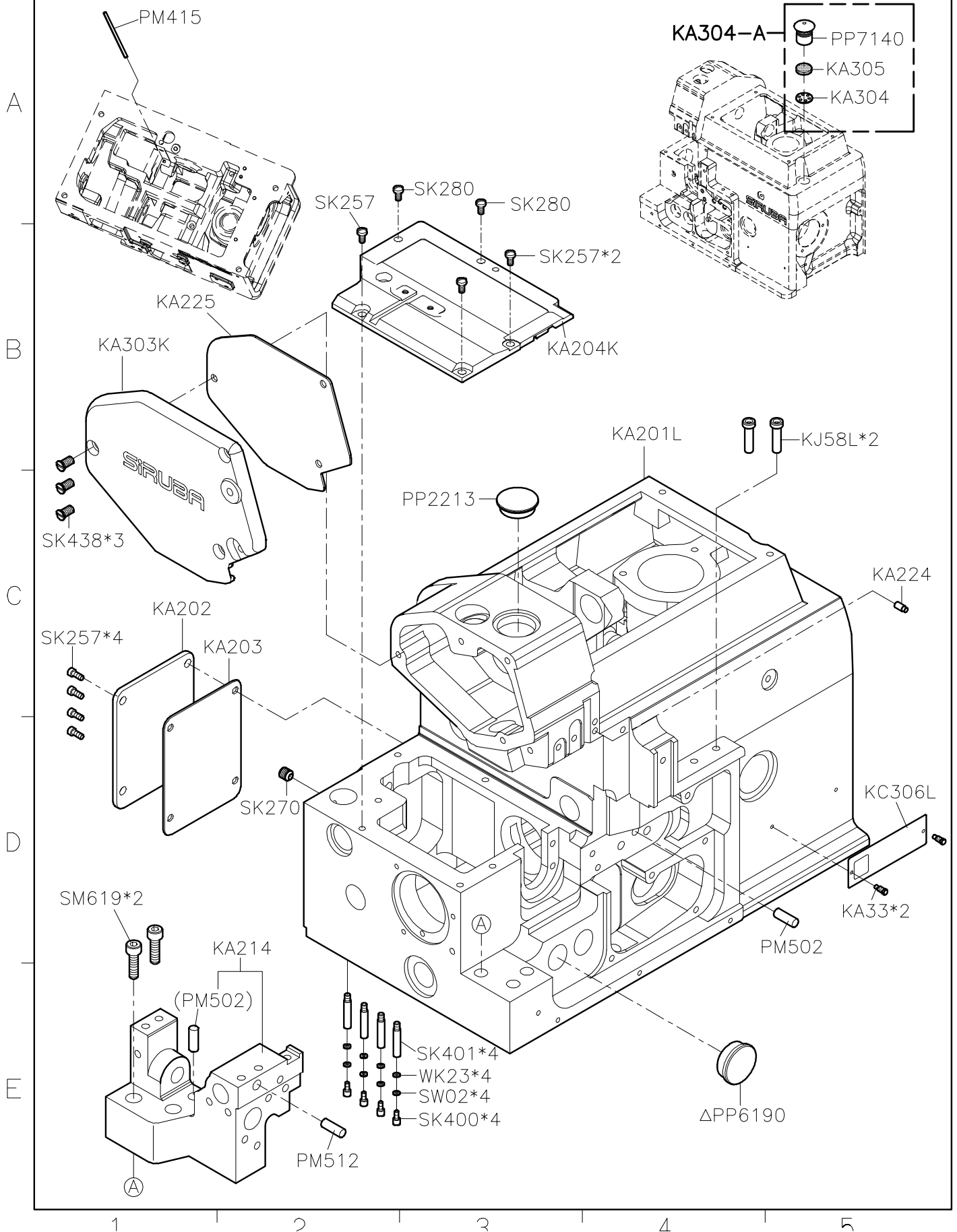
Δ: Use for #3(#4)

**Page**

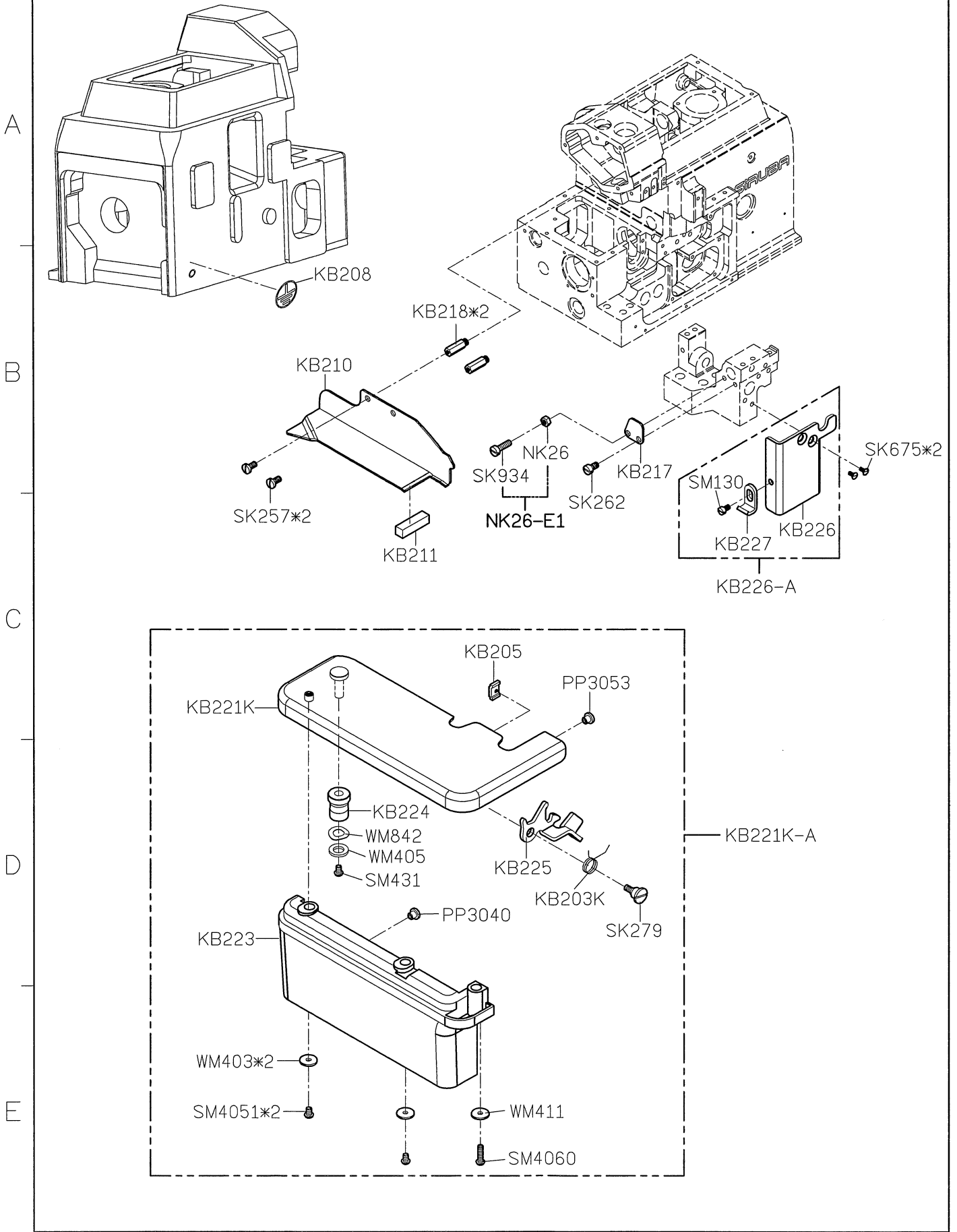
1/1

**Date**

2024/10/08



SIRUBA PARTS LIST	Series	Parts Group	Subclass / Remark	Page
	700L	KB		1/1
				Date
				2017/05/23

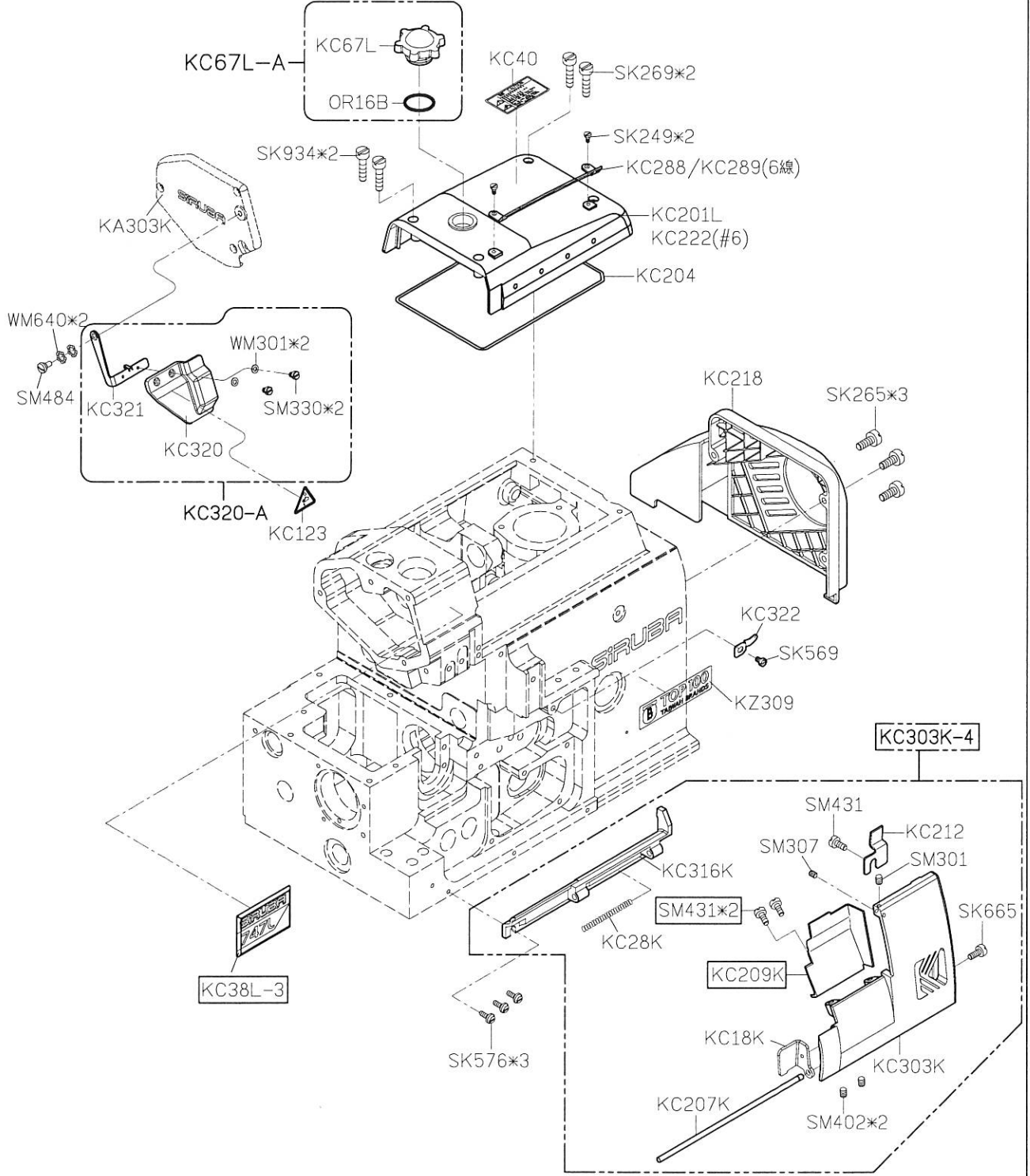


<b>SIRUBA</b> PARTS LIST	Series	Parts Group	Subclass / Remark	Page
	700L	KC		1/1
				Date
				2022/10/04

	700L
#3	KC38L-3
#4	KC38L-4
#5	KC38L-5
#6	KC38L-6

MODEL	#3/#4	#5/#6
PARTS NO	KC209K	KC219K
	KC303K-4	KC303K-5
	SM431*2	SM446*2

A  
B  
C  
D  
E



<b>SIRUBA</b> PARTS LIST	Series				Parts Group	Subclass / Remark	Page
	<b>700L</b>				<b>KD</b>		1/1
							Date
							2022/06/14

MODEL	#3/#4	#5/#6	H-3/-4/-7	X-3
PARTS NO	KD204	KD217	KD204	KD217
	SM603B	KD220	SM603B	KD220
	SK241*3	SK539*2 SK872*1	SK241*3	SK539*2 SK872*1
	KD201L	KD201LA	KD601	

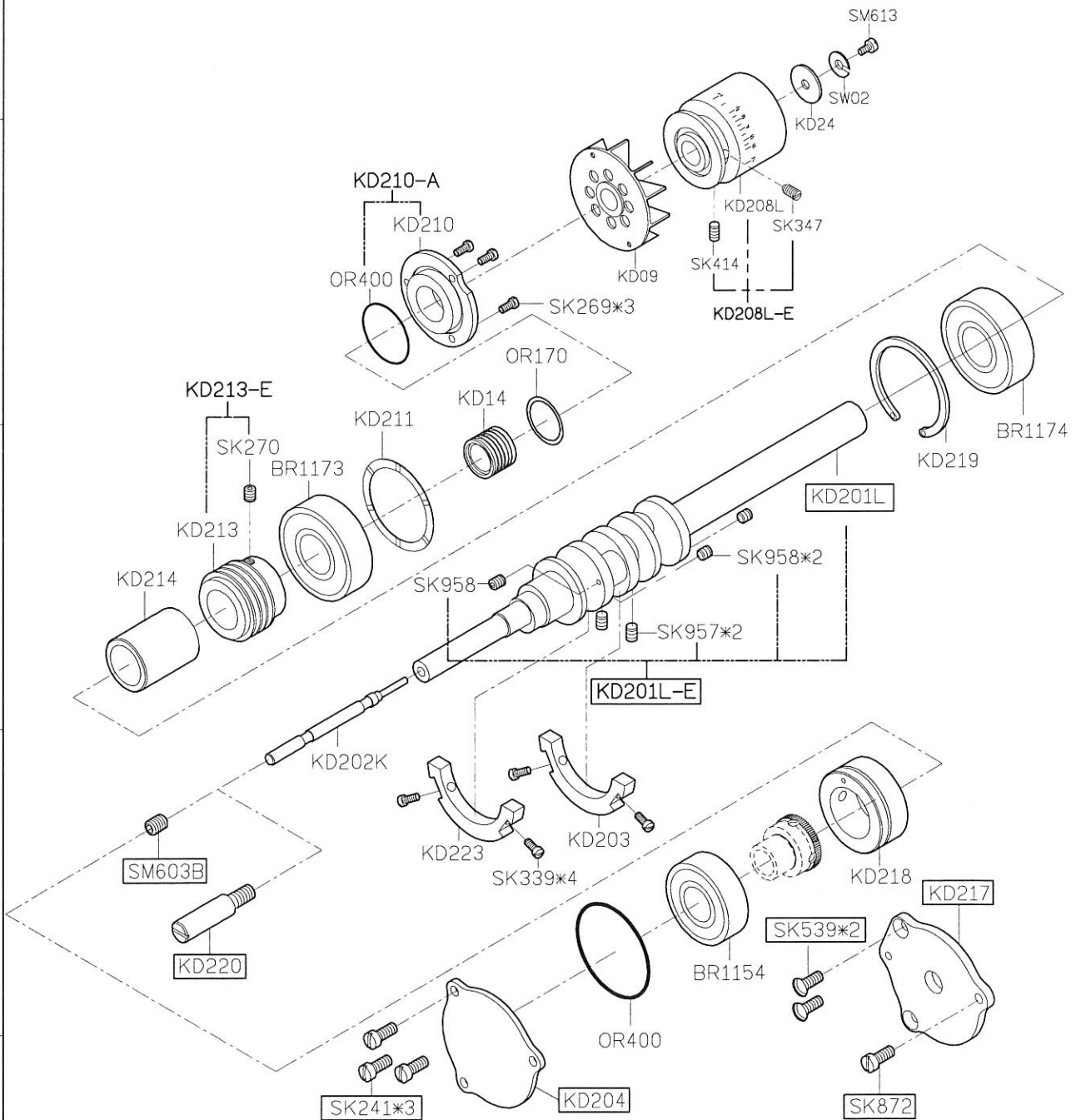
A

B

C

D

E



1

2

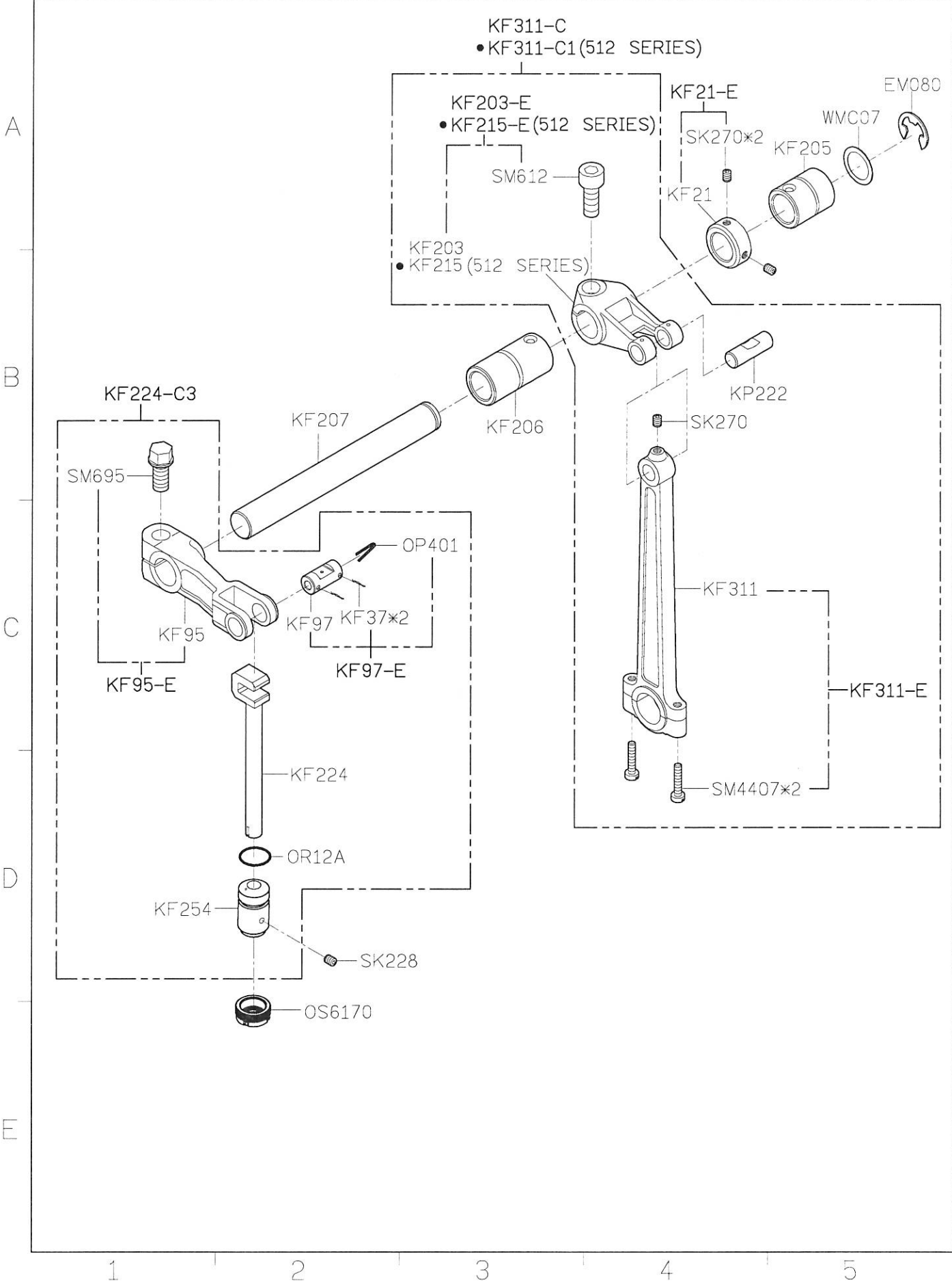
3

4

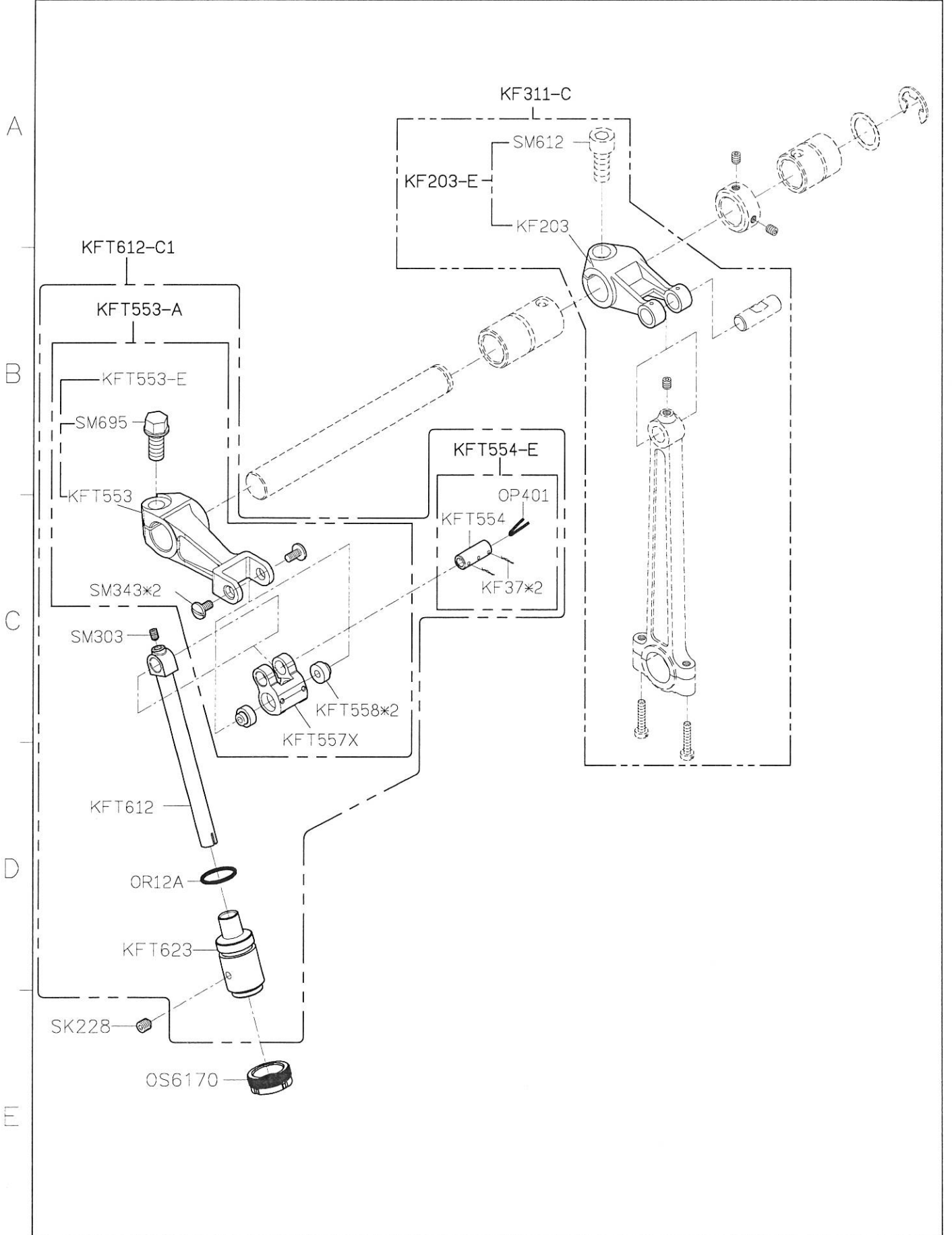
5



SIRUBA PARTS LIST	Series	Parts Group	Subclass / Remark	Page
	700L	KF		1/2
				Date
				2023/08/22

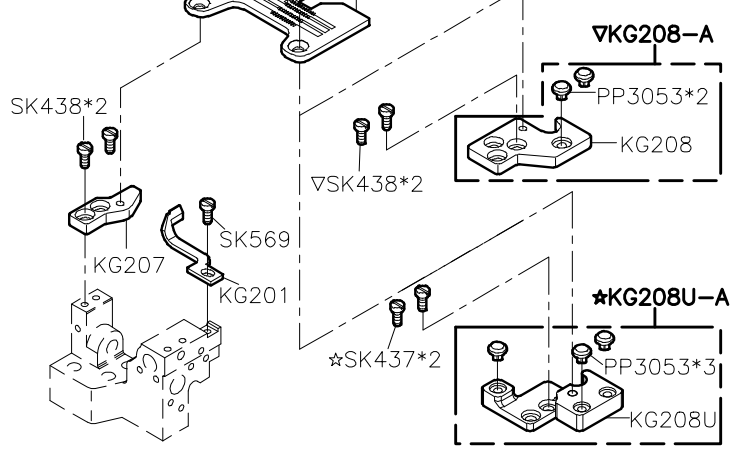
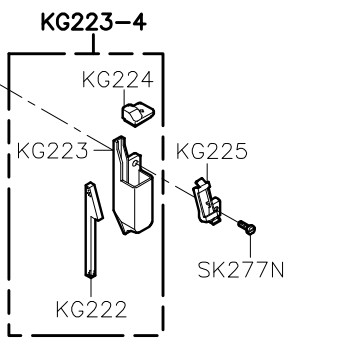
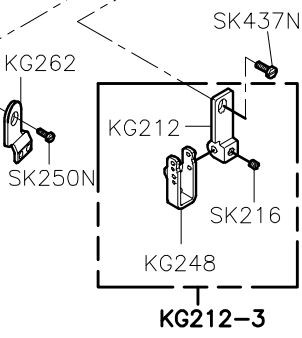
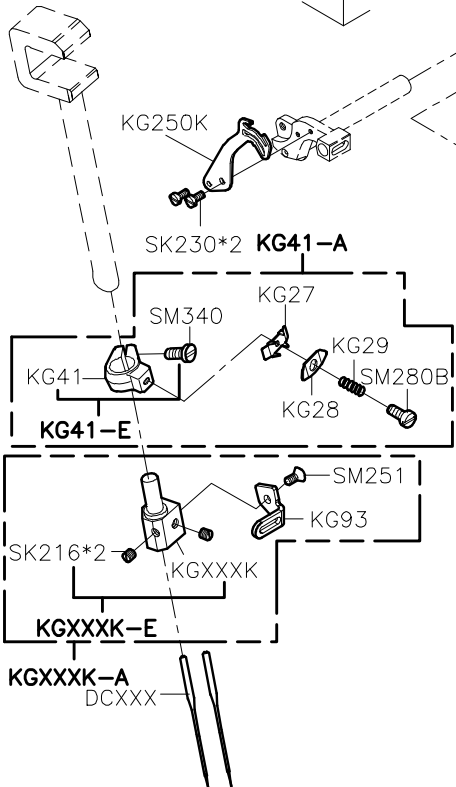
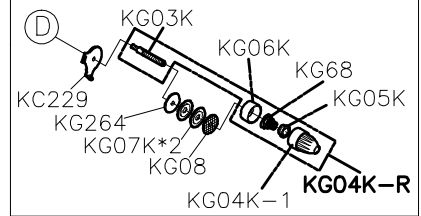
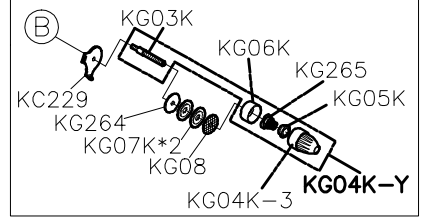
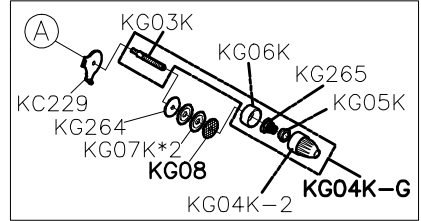
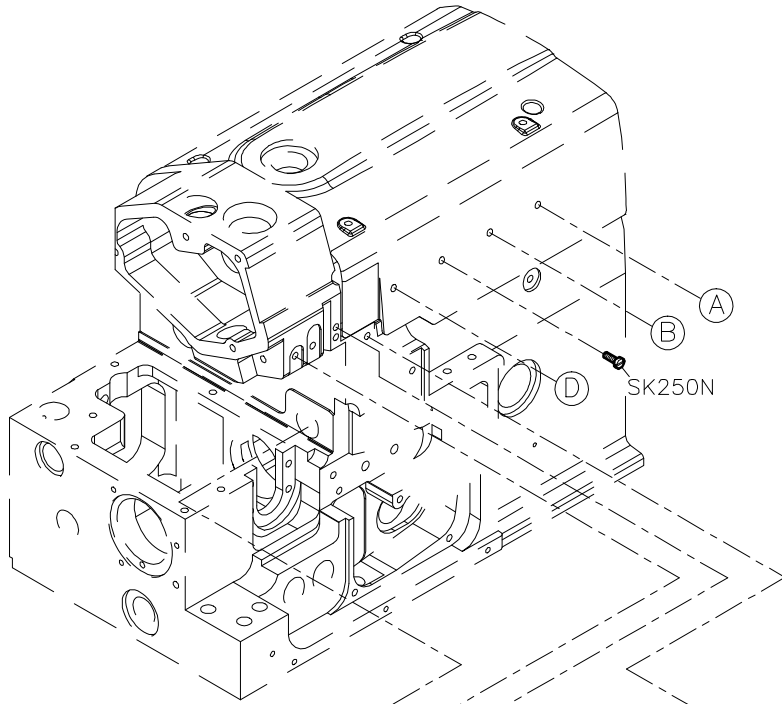


SiRUBA PARTS LIST	Series	Parts Group	Subclass / Remark	Page
	700L	KF	FOR X-3	2/2
				Date
				2023/08/22



SIRUBA PARTS LIST	Series	Parts Group	Subclass / Remark	Page
	700L	KG	Use for #3 此頁僅限3線機型專用 ★:Use for ECM(ECA-U)(ECB-U)(VE-U)(CTE-U) ▽:Use for without ECM(ECA-U)(ECB-U)(VE-U)(CTE-U)	1/4
				Date 2024/09/10

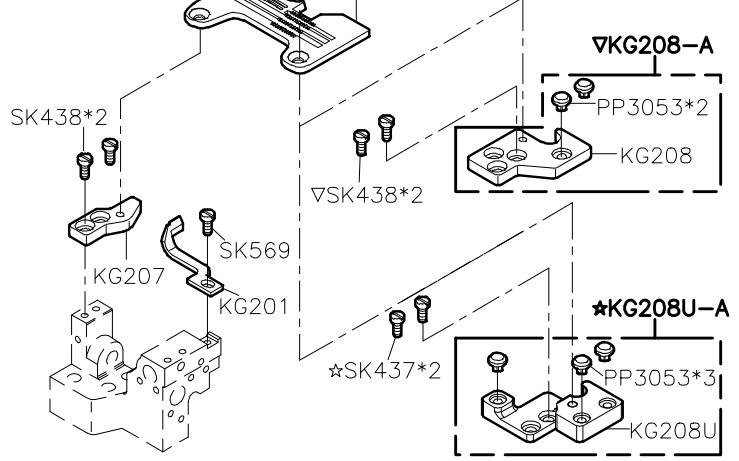
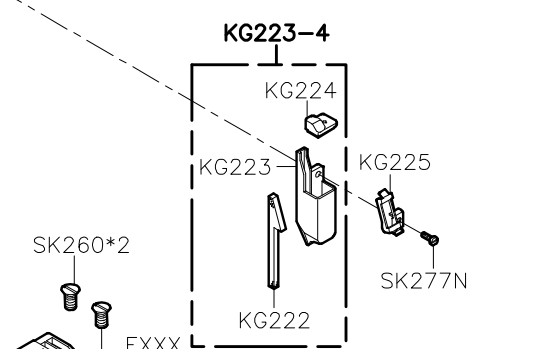
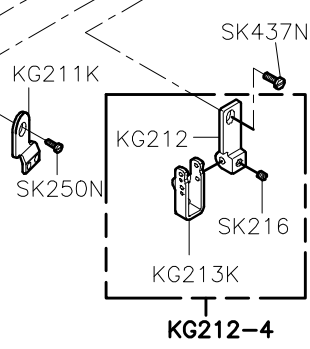
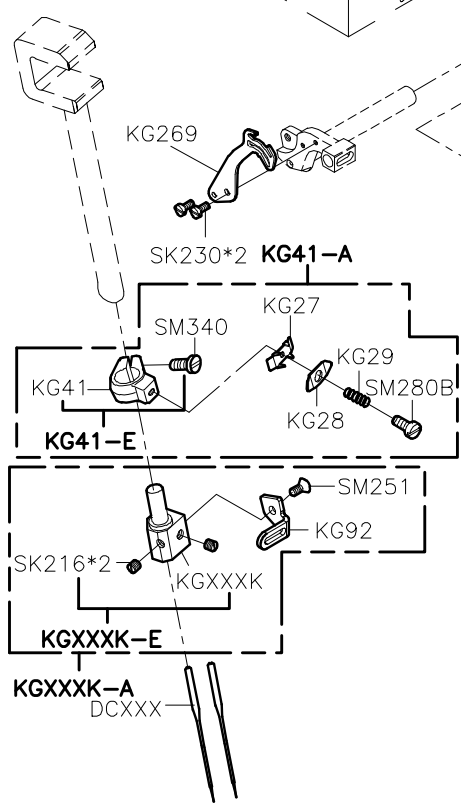
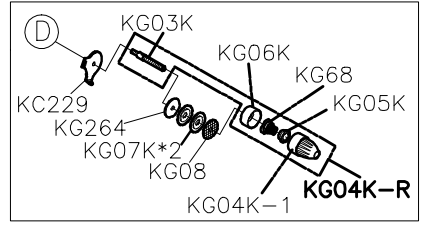
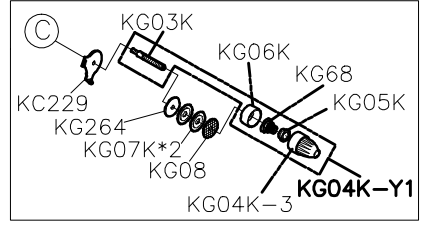
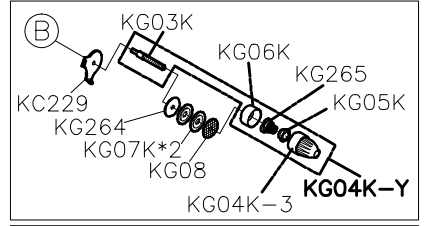
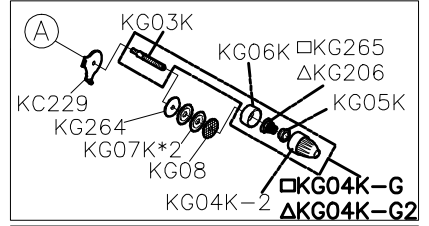
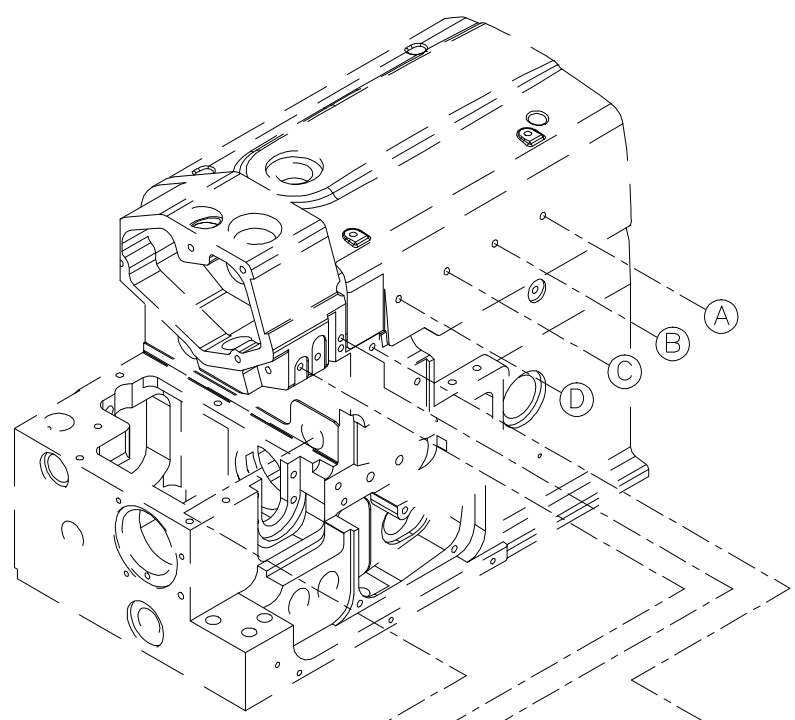
A  
B  
C  
D  
E



1 2 3 4 5

Use for #4 此頁僅限4線機型專用  
 Δ: Use for H-3(H-4)(X-3)  
 □: Use for without H-3(H-4)(X-3)  
 ☆: Use for ECM(ECA-U)(ECB-U)(VTE-U)(CTE-U)  
 ▽: Use for without ECM(ECA-U)(ECB-U)(VTE-U)(CTE-U)

A  
B  
C  
D  
E



**SIRUBA**  
**PARTS LIST**

**Series**  
**700L**

**Parts Group**  
**KG**

**Subclass / Remark**  
 Use for #5 此頁僅限5線機型專用  
 Δ: Use for H-3(H-4)(X-3)  
 □: Use for without H-3(H-4)(X-3)  
 ◇: Use for X-3  
 ◆: Use for without X-3  
 ☆: Use for EDM(ECA-U)(ECB-U)(VIE-U)(CIE-U)  
 ▼: Use for without EDM(ECA-U)(ECB-U)(VIE-U)(CIE-U)

**Page**  
3/4  
**Date**  
2024/09/10

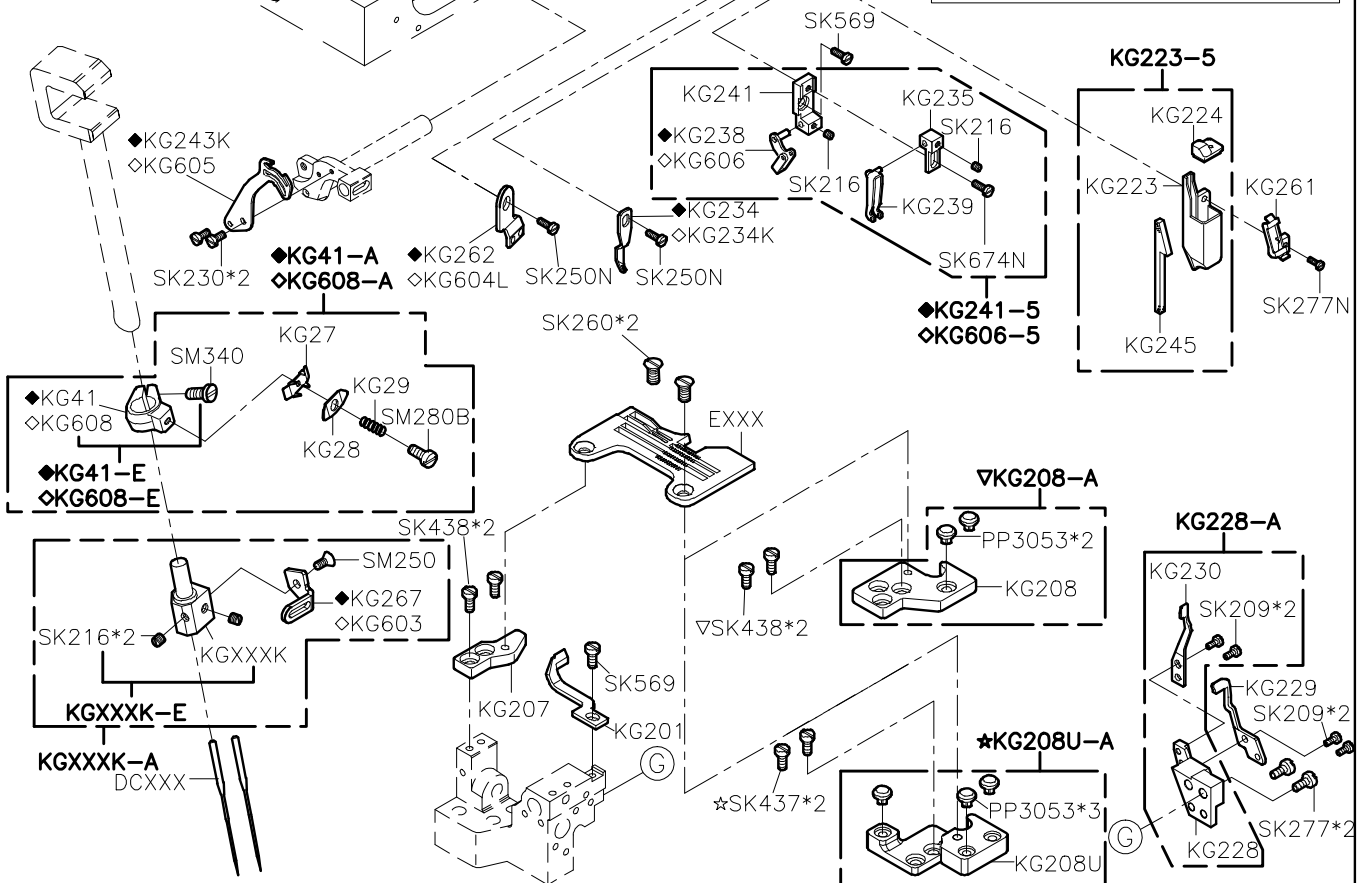
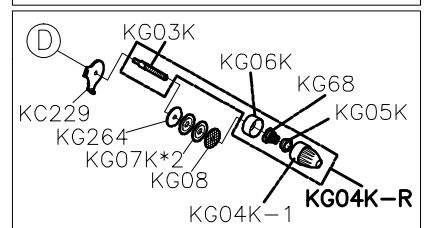
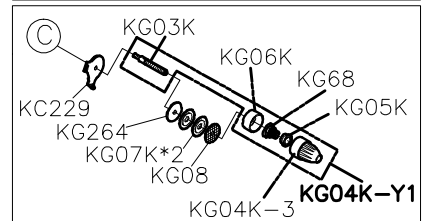
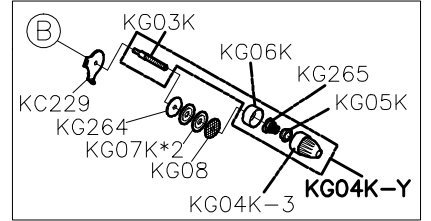
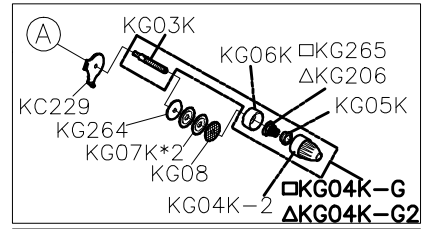
A

B

C

D

E



1

2

3

4

5

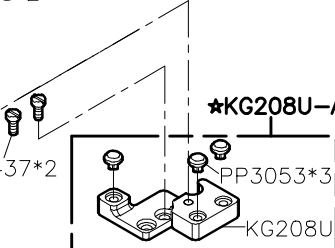
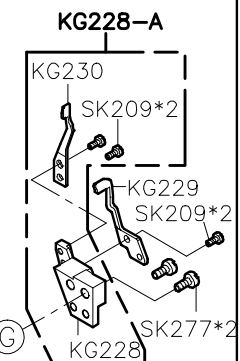
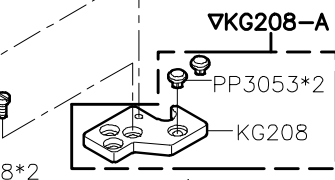
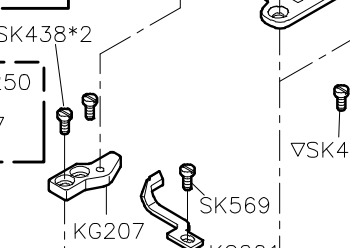
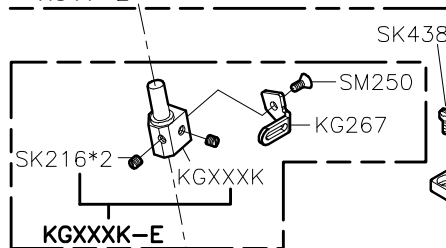
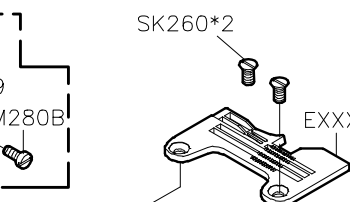
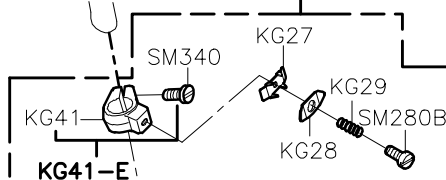
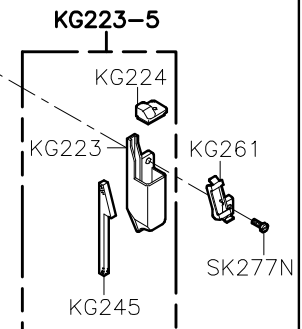
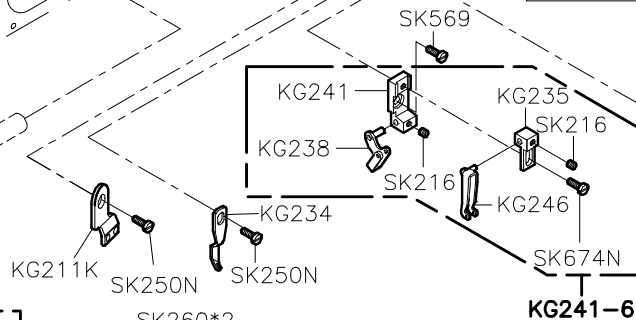
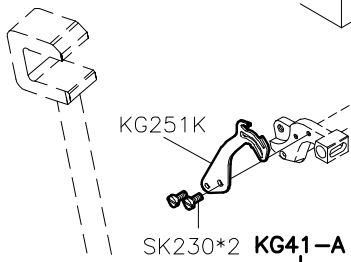
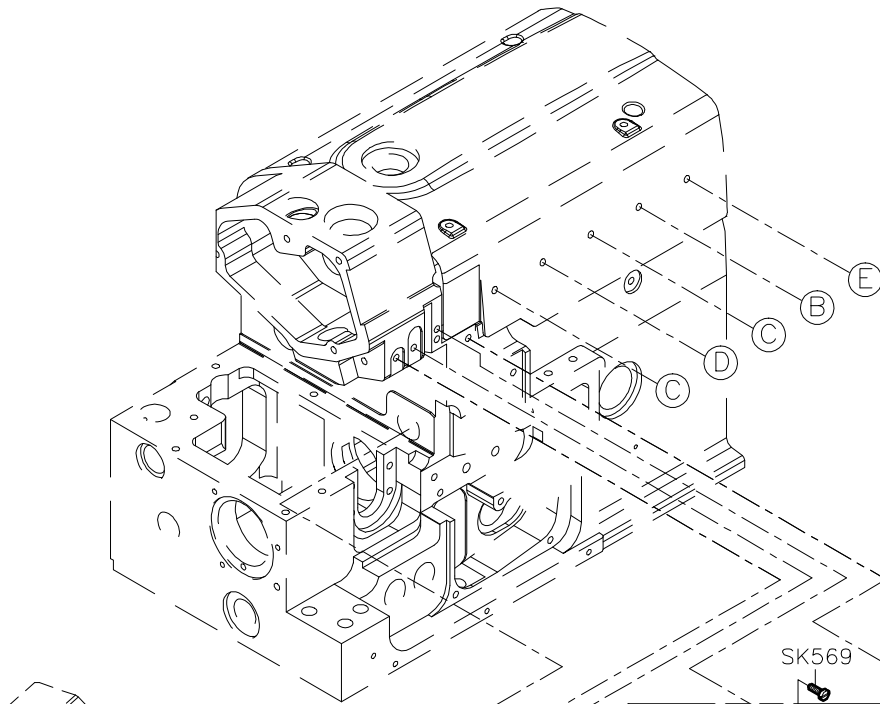
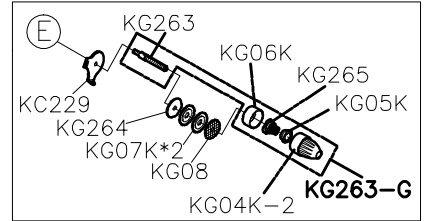
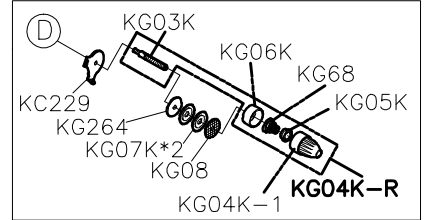
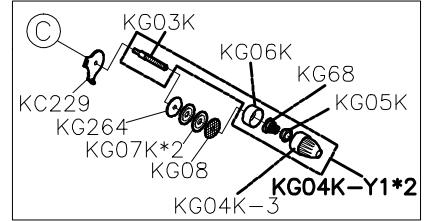
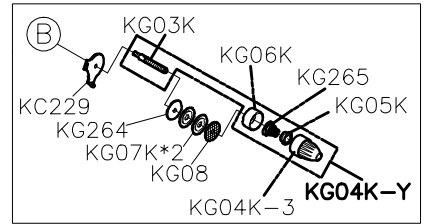
A

B

C

D

E



1

2

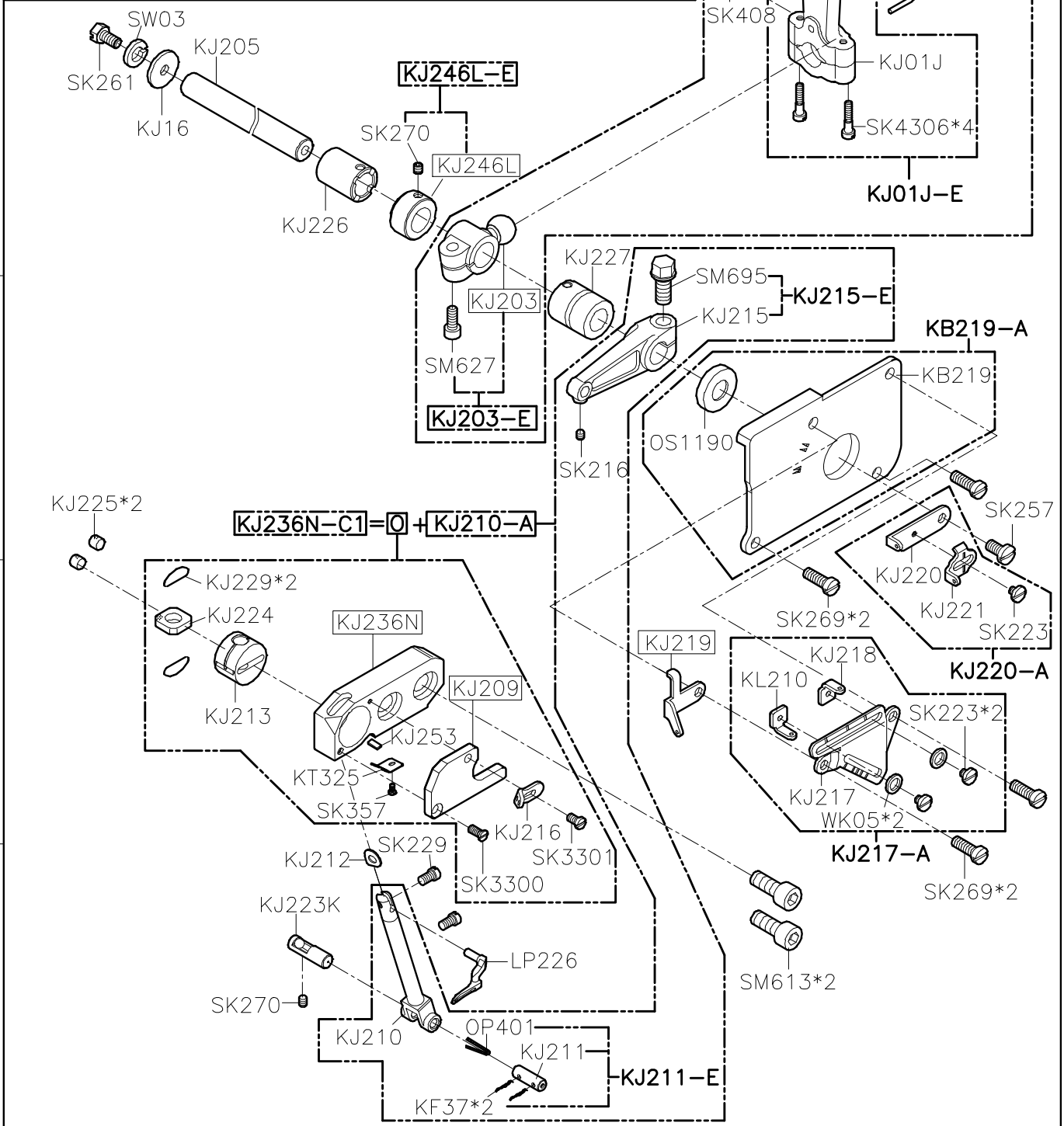
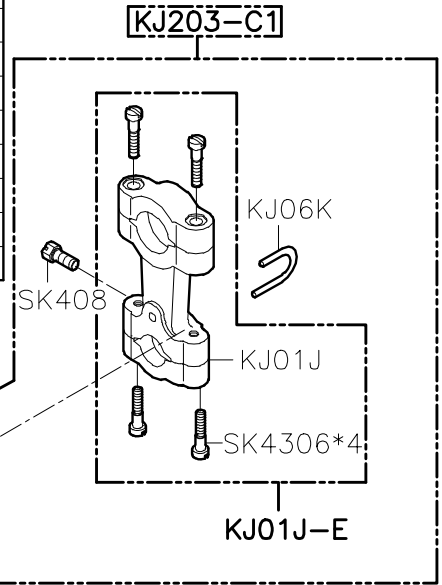
3

4

5

<b>SIRUBA</b> <b>PARTS LIST</b>	<b>Series</b>		<b>Parts Group</b>		<b>Subclass / Remark</b>		<b>Page</b>
	<b>700L</b>		<b>KJ</b>				<b>1/2</b>
							<b>Date</b>
							2022/11/07

MODEL	#3/#5	#4/#6	#4 H-3/H-4/H-7	#5 H-3	#5 X-3
PARTS NO	KJ247L-E	KJ246L-E	KJ248L-E	KJ246L-E	KJ246L-E+KJ234
	KJ206	KJ203	KJ203	KJ203	KJ602
	KJ206-E	KJ203-E	KJ203-E	KJ203-E	KJ602-E
	KJ206-C1	KJ203-C1	KJ203-C1	KJ203-C1	KJ602-C
	KJ236N	KJ208N	KJ228N	KJ208N	KJ601K
	KJ236N-C1	KJ208N-C1	KJ228N-C1	KJ208N-C1	KJ601K-C
		KJ219	KJ238	KJ233	KJ233
		KJ210	KJ210	KJ210	KJ603
		KJ210-A	KJ210-A	KJ210-A	KJ603-A
		KJ209	KJ209	KJ209	KJ609



SiRUBA PARTS LIST	Series	Parts Group	Subclass / Remark	Page
	700L	KJ	For H-3	2/2
				Date
				2022/06/27

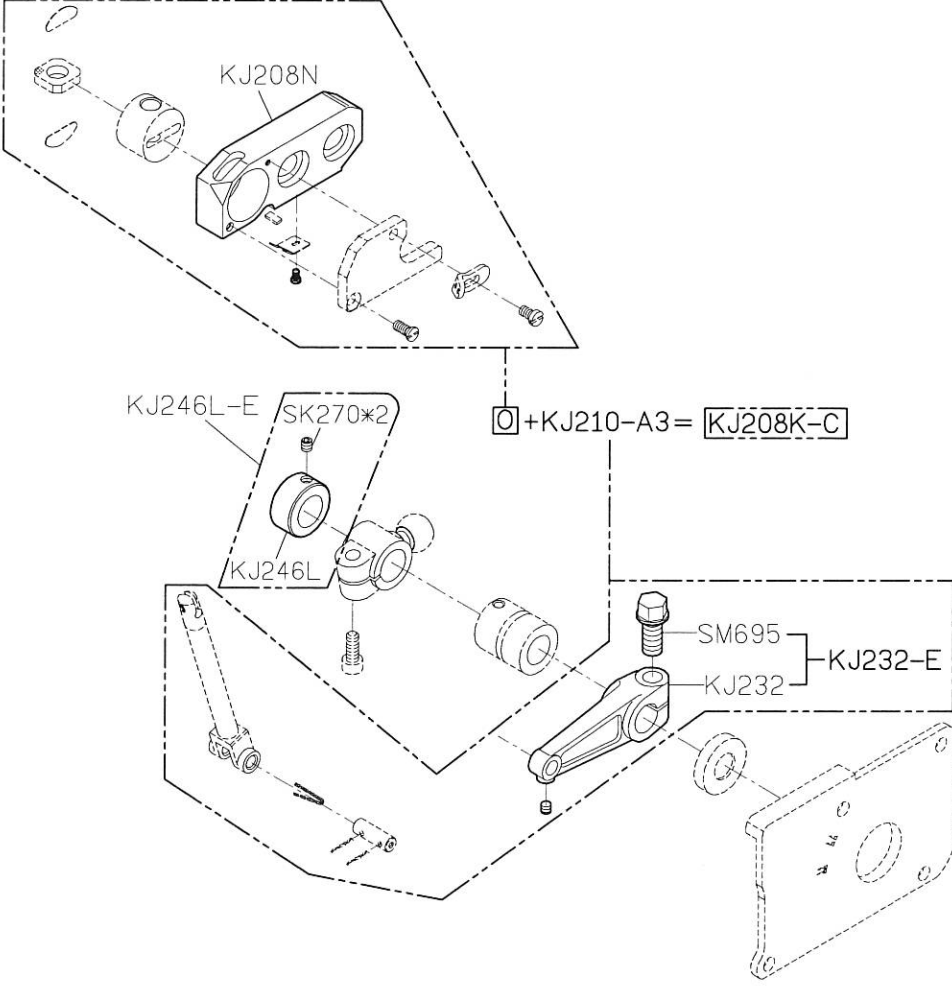
A

B

C

D

E





<b>SIRUBA</b> PARTS LIST	Series	Parts Group	Subclass / Remark	Page
	<b>700L</b>	<b>KL</b>		1/1
				Date
				2017/11/22

MODEL	#3/#4	#5/#6	H-3/H-4/H-7 SERIES	5# H-3 SERIES	5# X-3 SERIES
PARTS NO	KJ222		KJ222	KJ230	KFT597
	KL202		KL202A	KL202	KL202
	KL211-A		KL211-A1	KL211-A2	KFT597-A
	KL205	KL209			
	KL205-E	KL209-E			
	KL205-C	KL209-C			

A

B

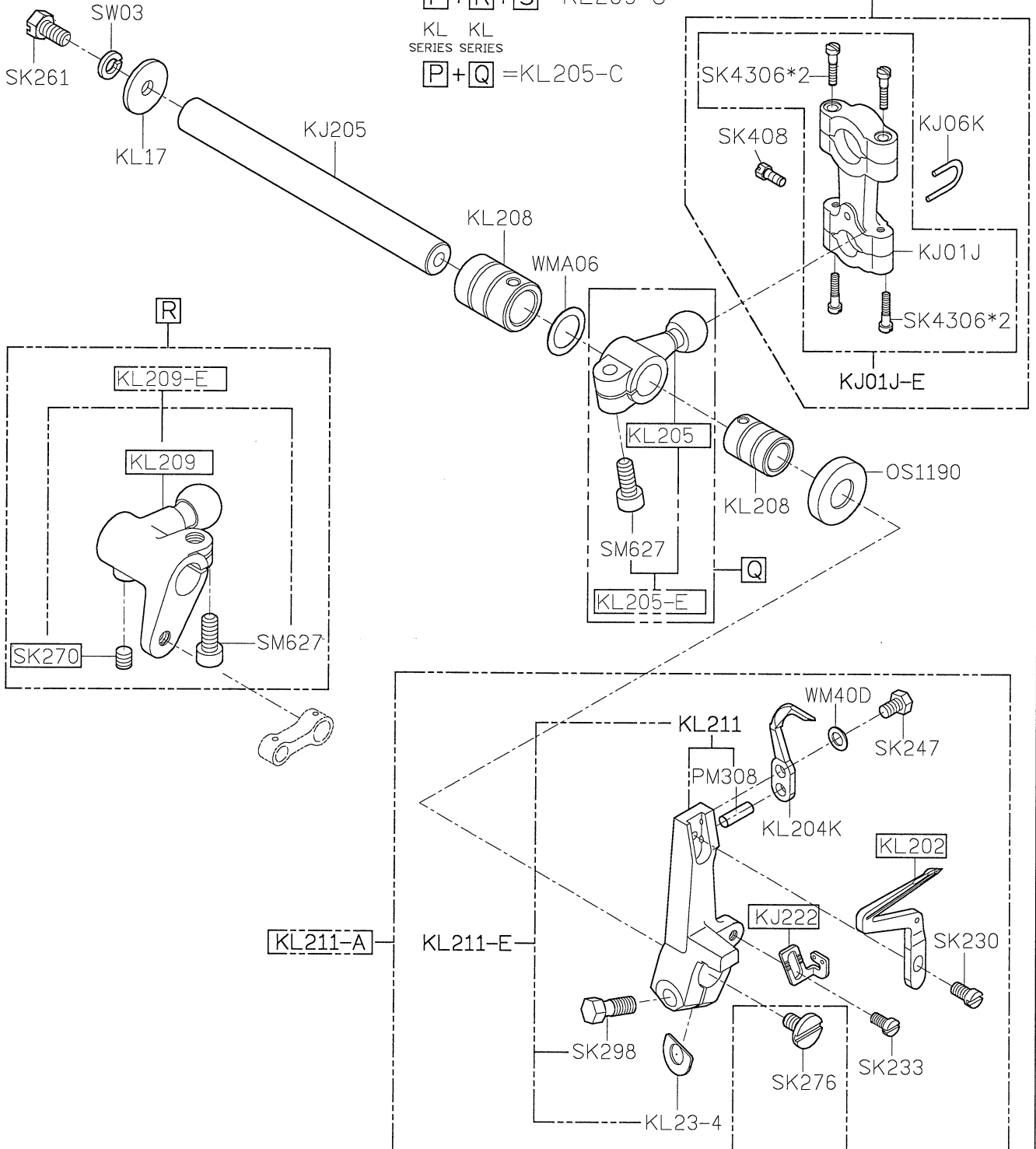
C

D

E

KL KL KM  
SERIES SERIES SERIES  
P + R + S = KL209-C

KL KL  
SERIES SERIES  
P + Q = KL205-C



1

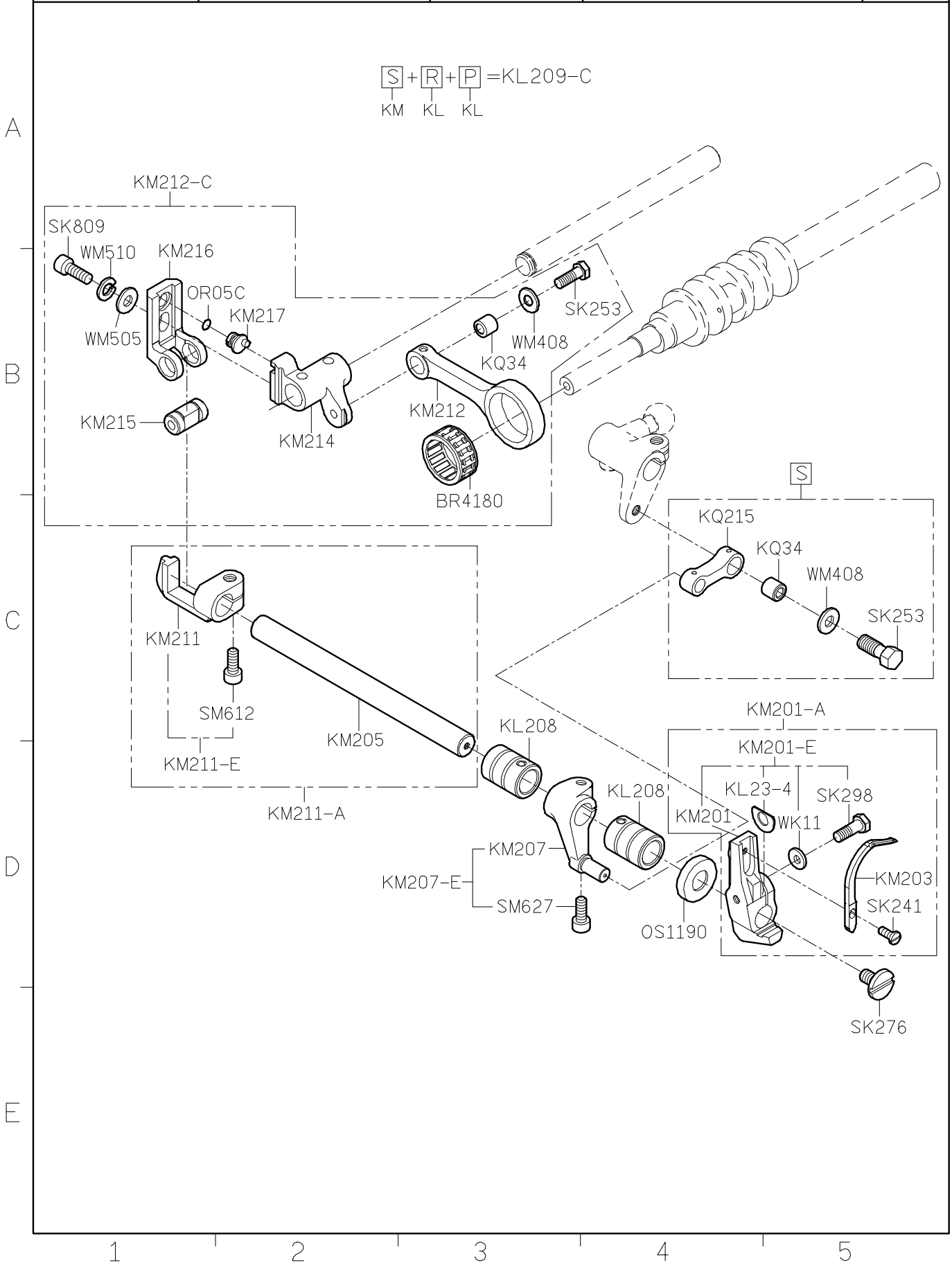
2

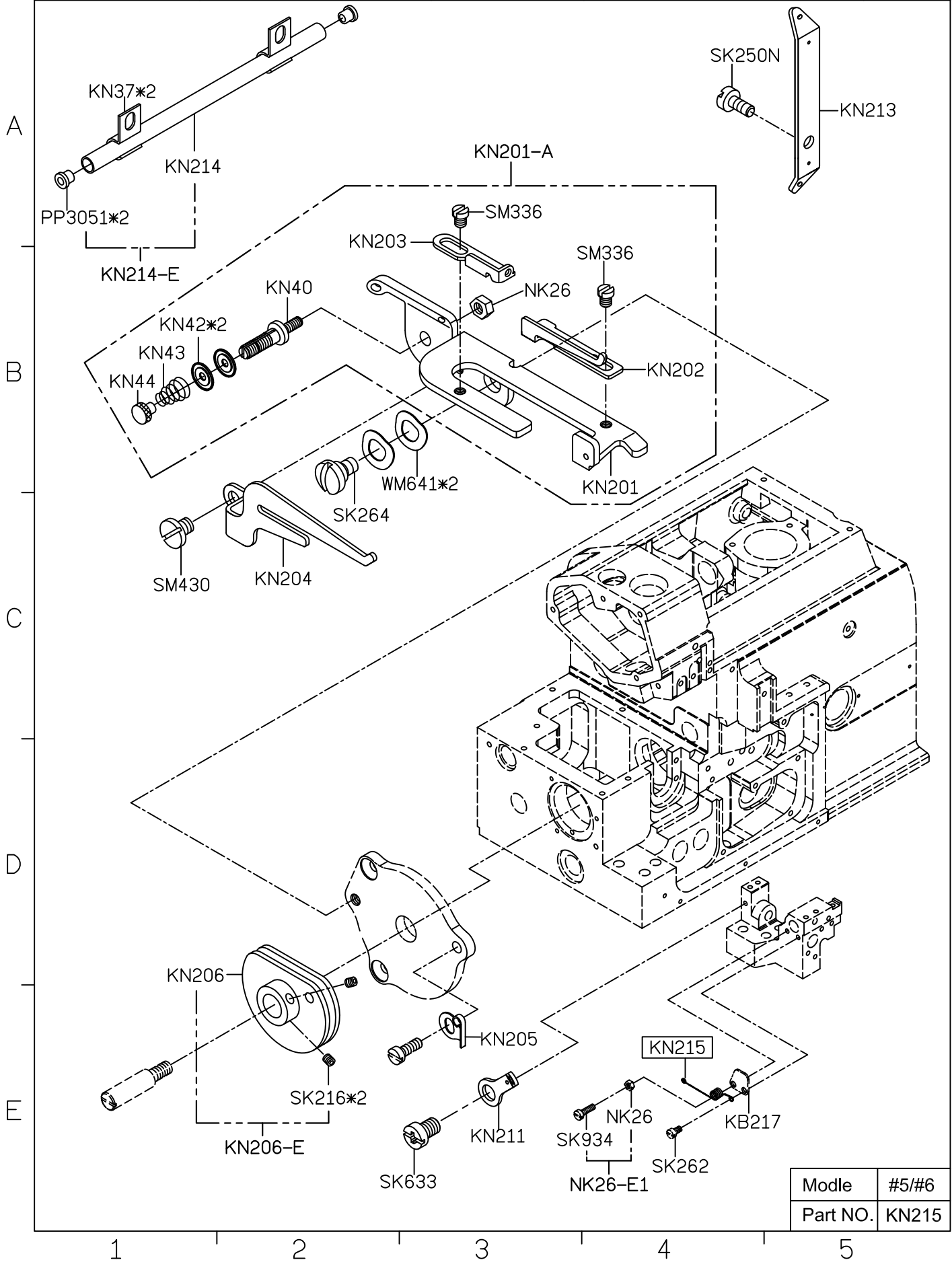
3

4

5

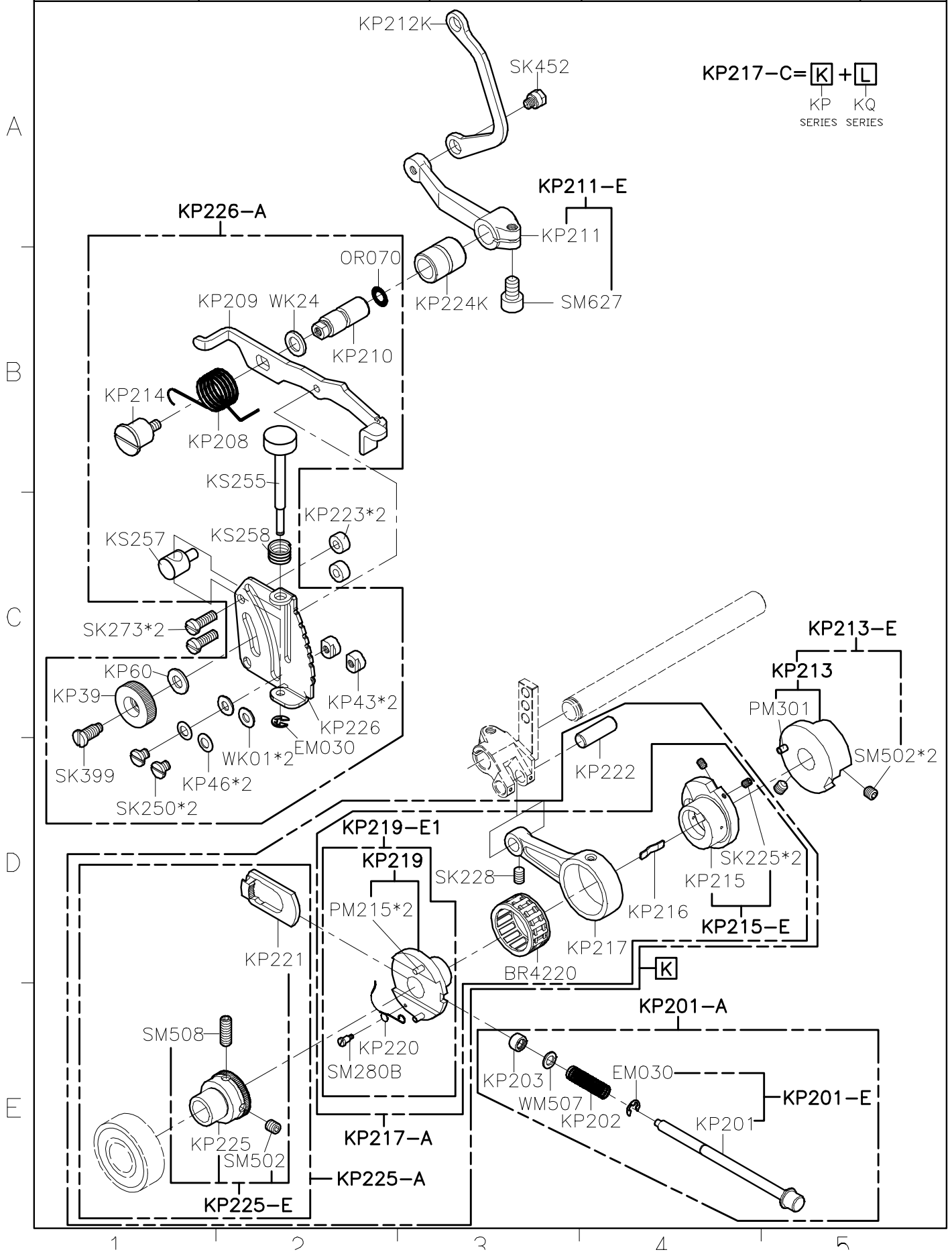
SiRUBA PARTS LIST	Series	Parts Group	Subclass / Remark	Page
	700L	KM		1/1
				Date
				2019/08/06

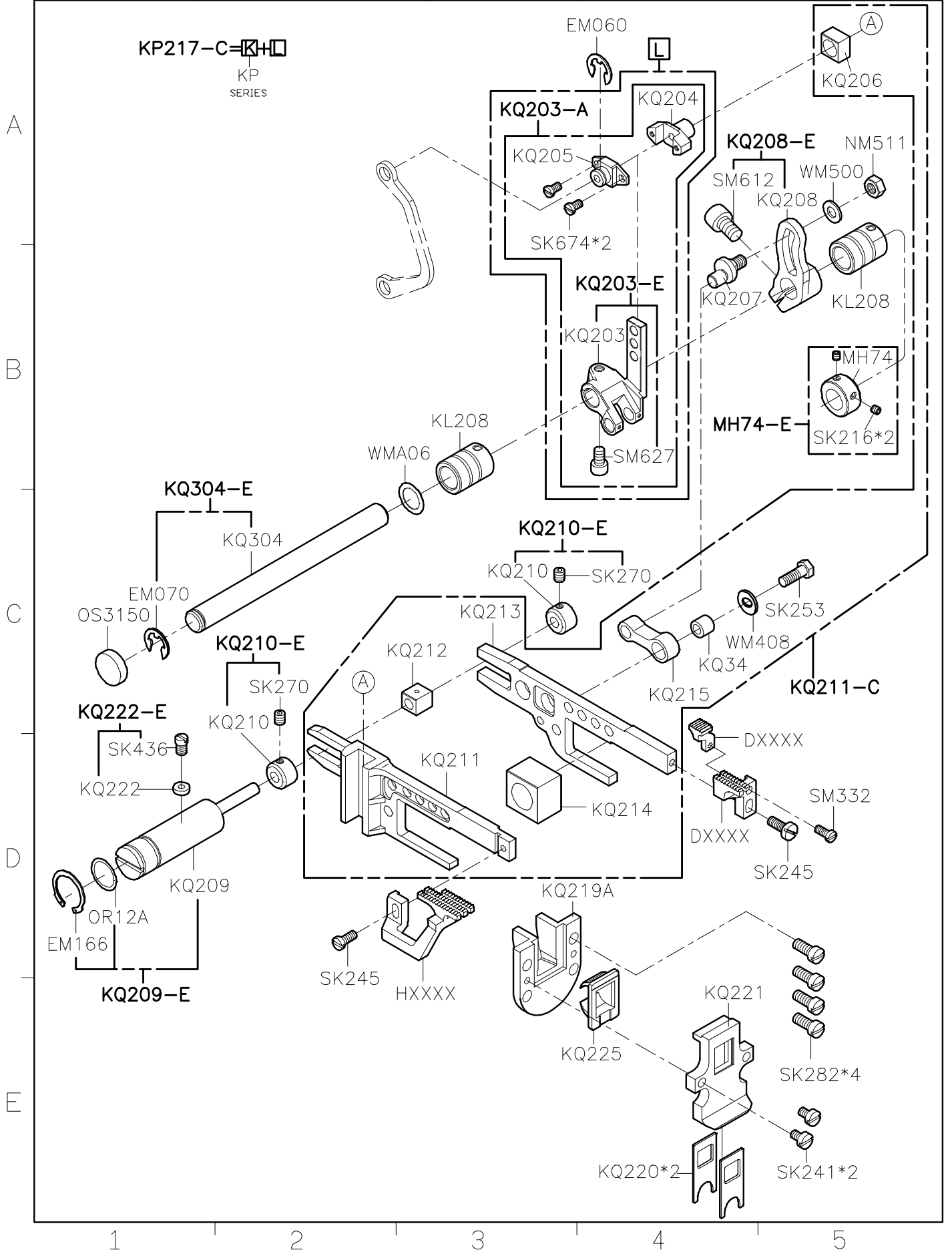




Modle	#5/#6
Part NO.	KN215

SIRUBA PARTS LIST	Series	Parts Group	Subclass / Remark	Page
	700L	KP		1/1
				Date
				2024/04/02





<b>SIRUBA</b> PARTS LIST	Series	Parts Group	Subclass / Remark	Page
	<b>700L</b>	<b>KR</b>		1/1
				Date
				2017/11/22

MODEL	#3/#4	#5/#6	#5 X-3
PARTS NO	KR202	KR218	KR218
	KR202-E	KR218-E	KR218-E
	KR311-C	KR311-C1	KR311-C1
	KR206K	KR221	KFT616
	KR206K-A	KR221-A	KFT596-A
	KR209	KR219	KR223
	KR209-A	KR219-A	KR223-A1
	KR35	KR35	KR35JK
	KR212	KFT614	

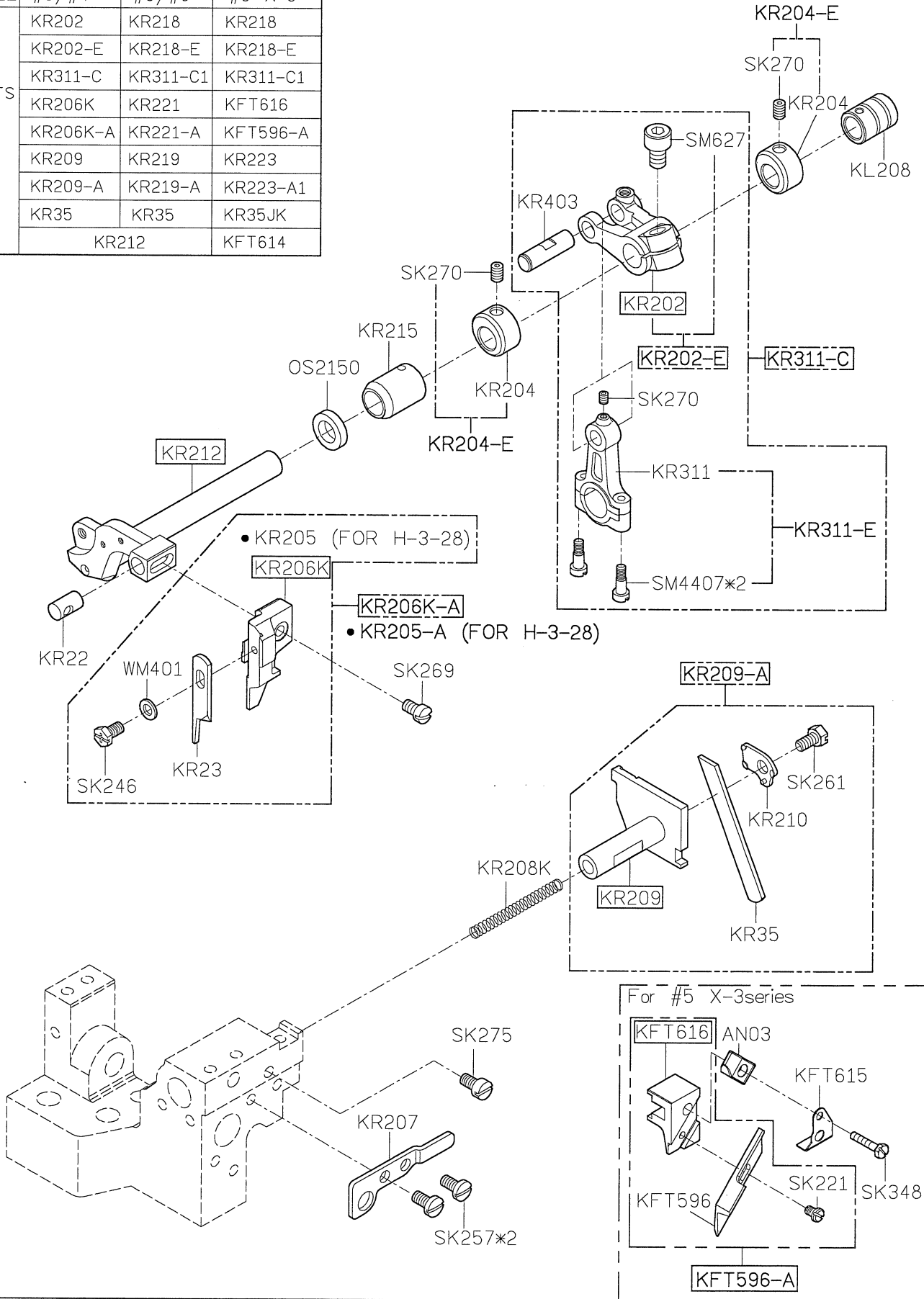
A

B

C

D

E



1

2

3

4

5

**SIRUBA**

PARTS LIST

Series

700L

Parts Group

KS

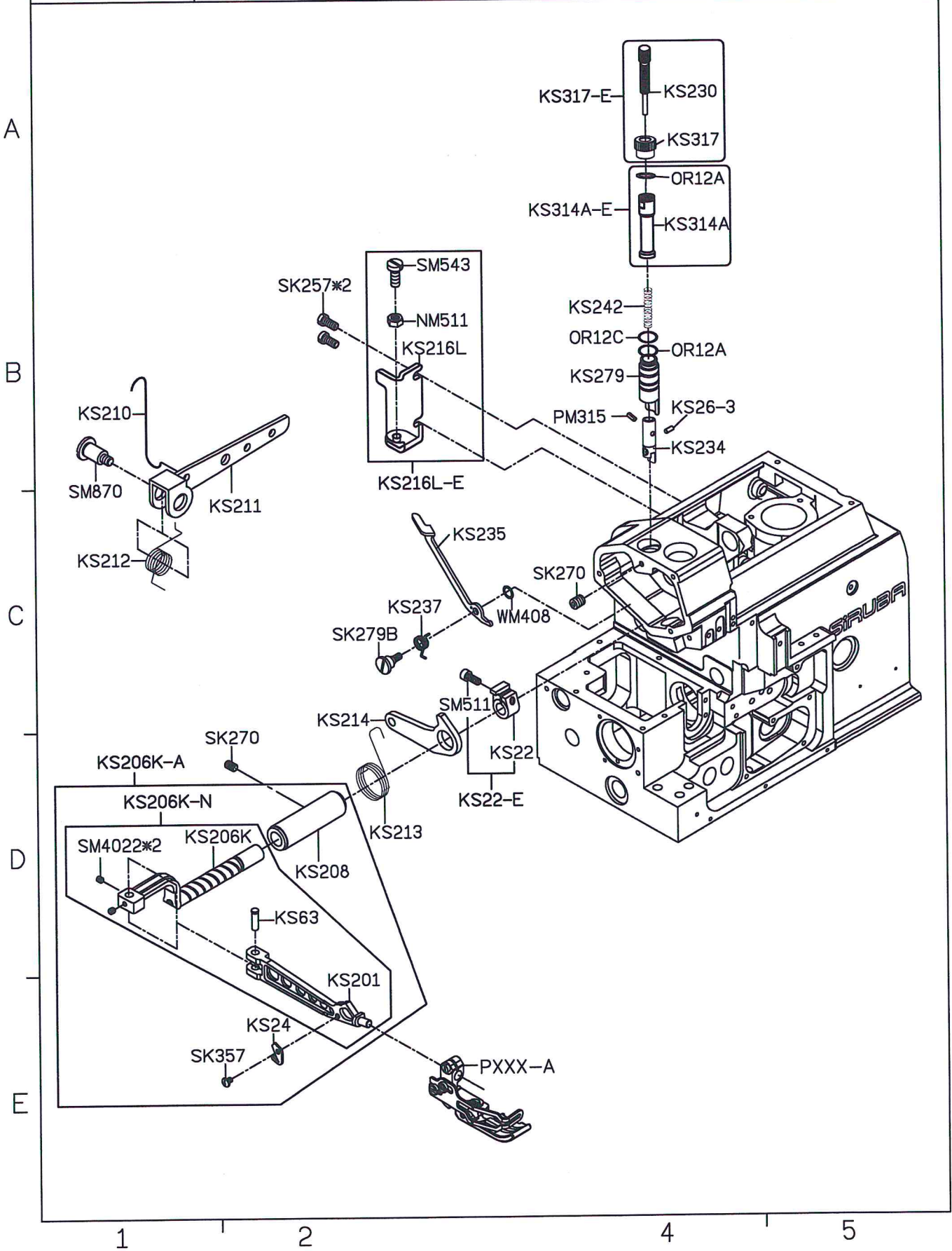
Subclass / Remark

Page

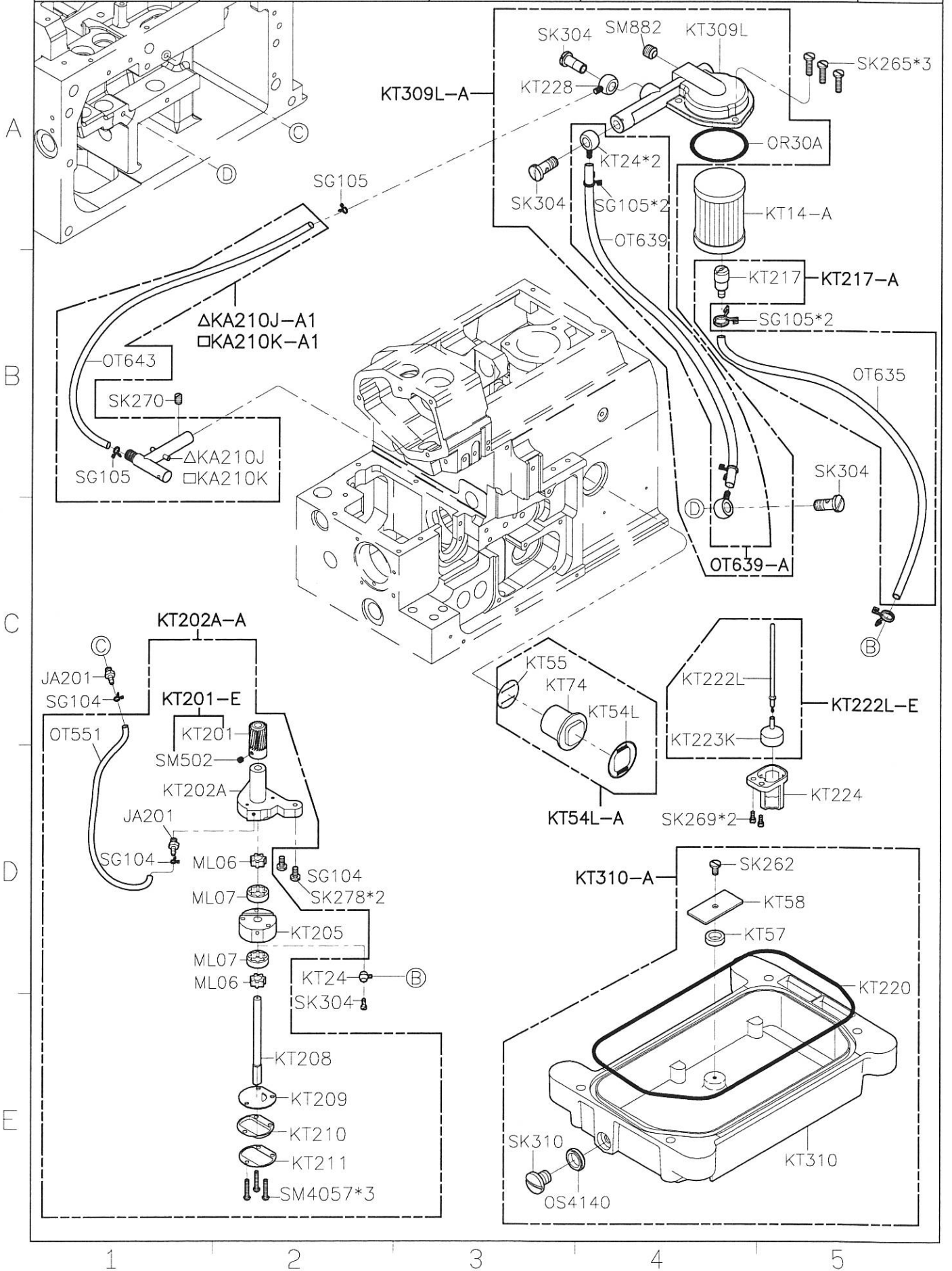
1/1

Date

2024/05/15



SIRUBA PARTS LIST	Series	Parts Group	Subclass / Remark	Page
	700L	KT	△: Use for X-3	1/1
			□: Use for without X-3	Date
				2025/02/25





**SIRUBA**

**PARTS LIST**

Series

**700L**

Parts Group

**KU**

Subclass / Remark

Page

1/1

Date

2017/05/23

MODEL	#3/#4	#5/#6
PARTS NO	KU40	KU39
	KU220-4	KU220-5
	KU207	KU209
	KU206	KU211
	KU203-4	KU203-5
	SK277	SK437

**KU60-A**  
(FOR 505F1-04)

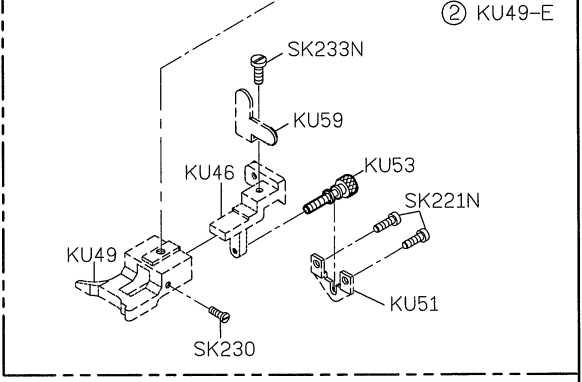
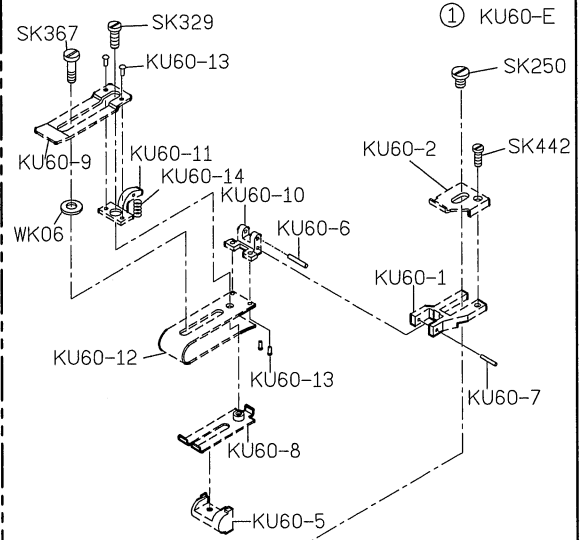
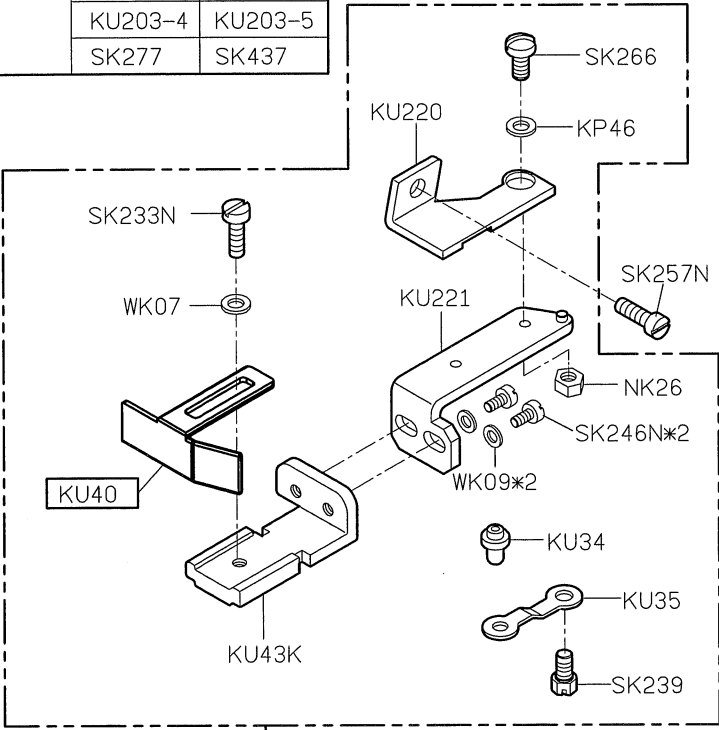
A

B

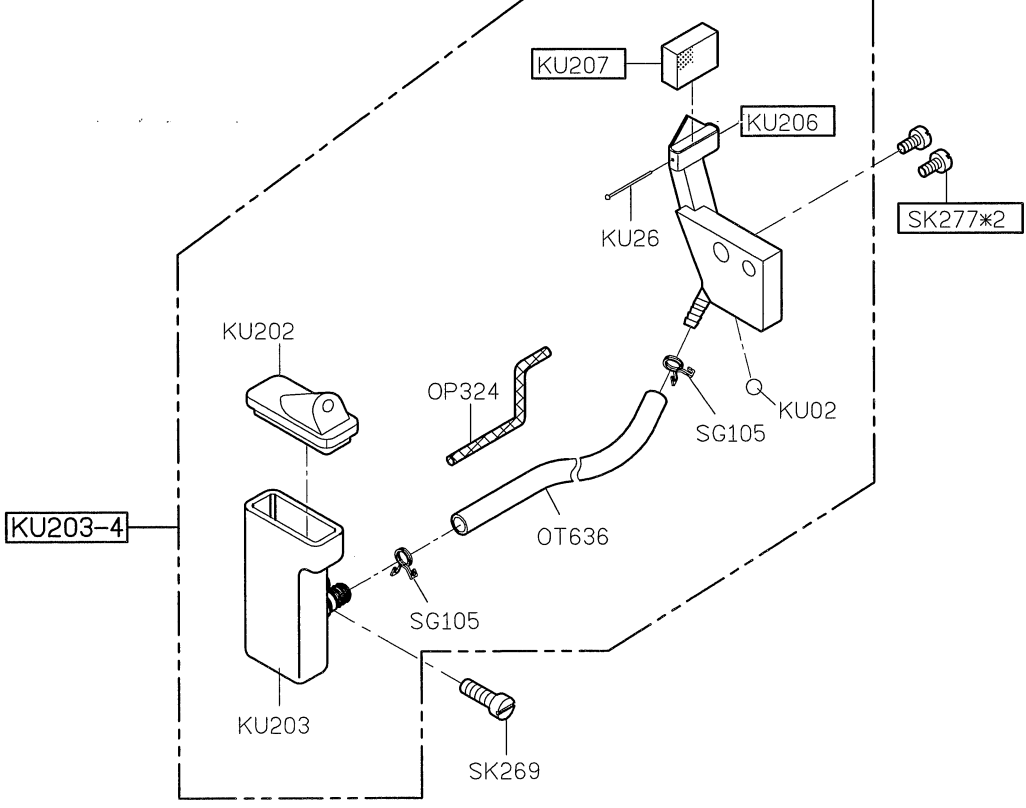
C

D

E

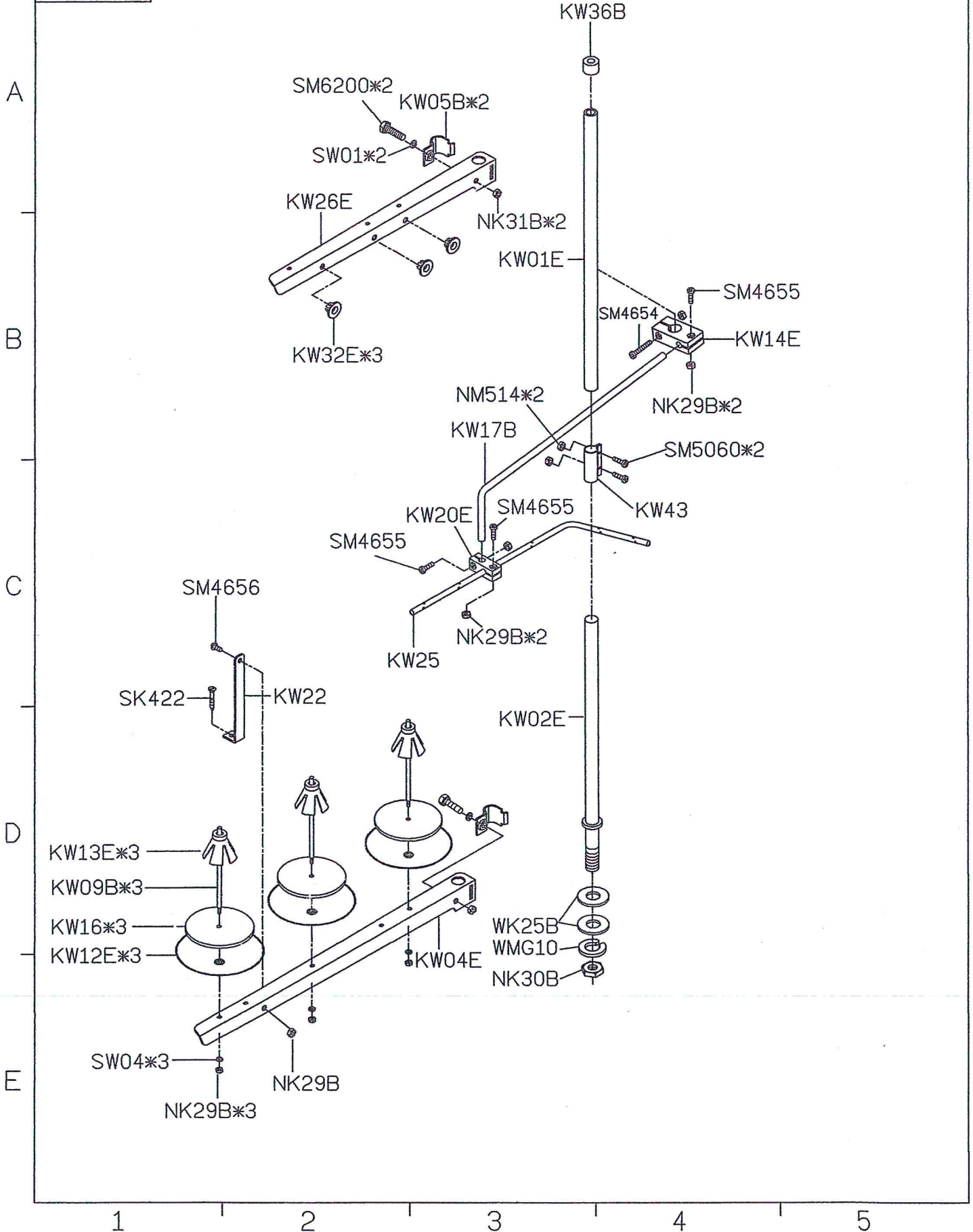


Option: **KU220-4**



<b>SIRUBA</b> PARTS LIST	Series	Parts Group	Subclass / Remark	Page
	拷克	<b>KW</b>		1/4
	Overlock			Date
	含MO6800系列			2022/07/11

KW40E-3

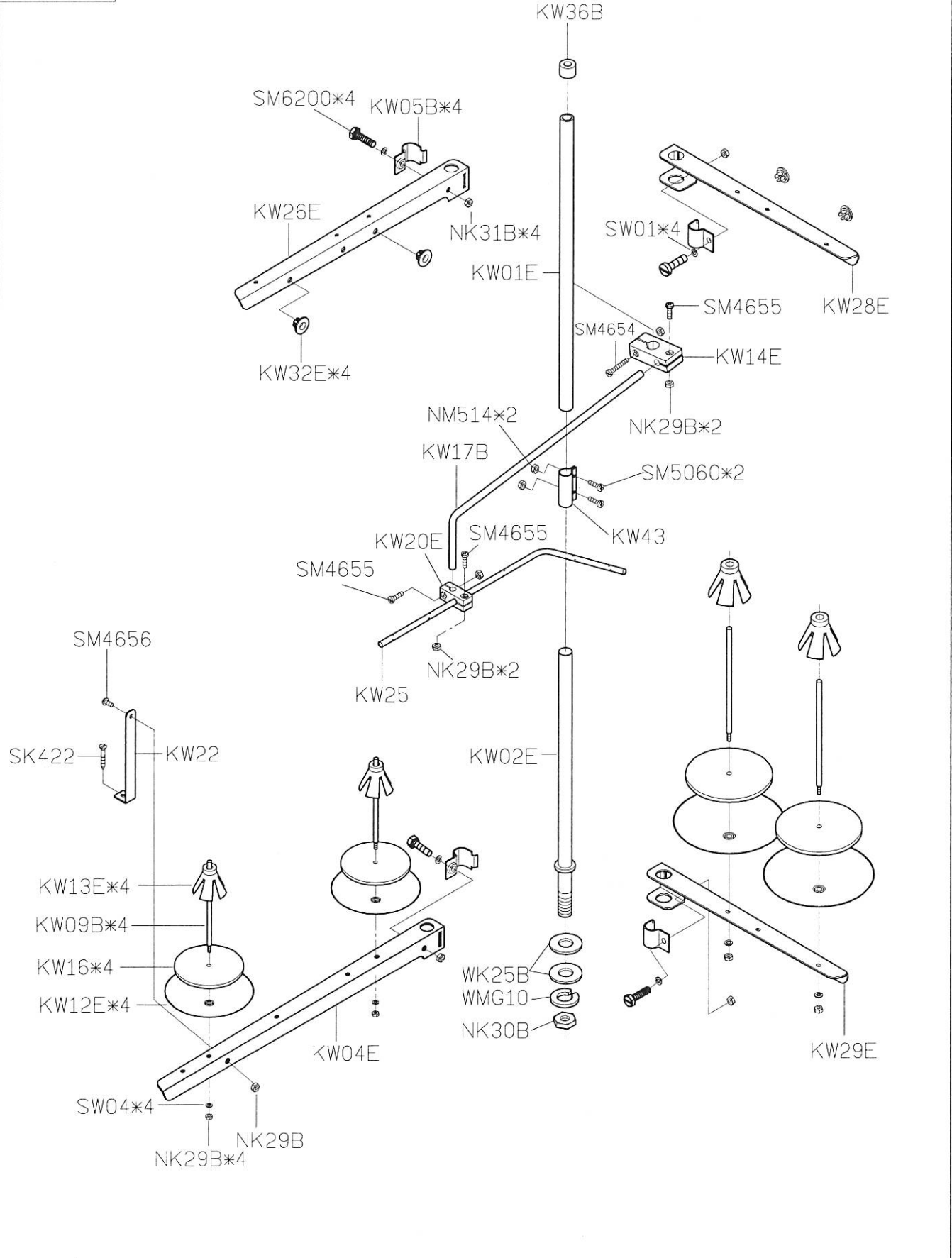


<b>SIRUBA</b> PARTS LIST	Series	Parts Group	Subclass / Remark	Page
	拷克	<b>KW</b>		2/4
	Overlock			Date
	含MO6800系列			2022/07/11

KW40E-4

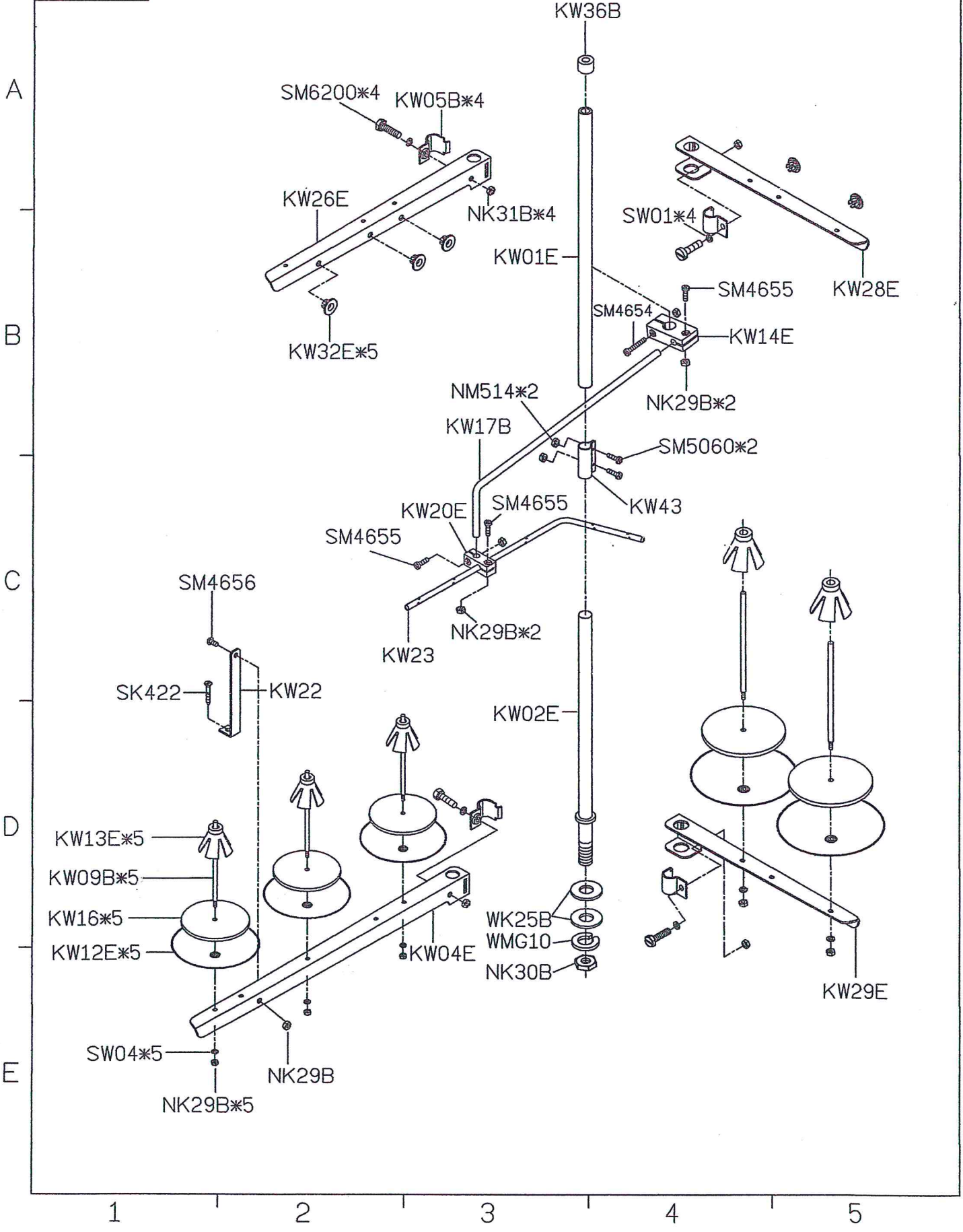
A  
B  
C  
D  
E

1 2 3 4 5



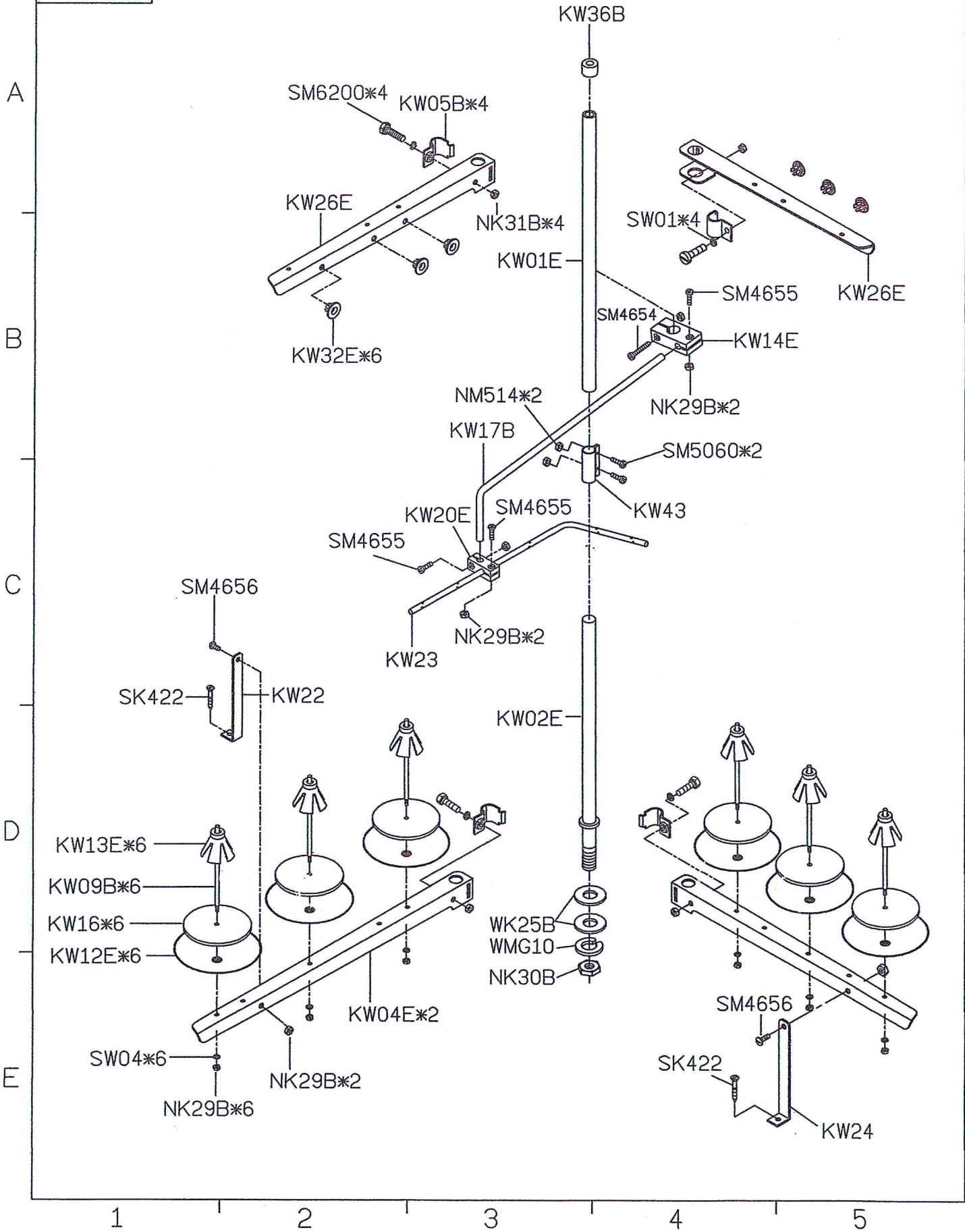
<b>SIRUBA</b>  <b>PARTS LIST</b>	Series	Parts Group	Subclass / Remark	Page
	拷克	<b>KW</b>		3/4
	Overlock			Date
	含MO6800系列			2022/07/11

KW40E-5



<b>SIRUBA</b> <b>PARTS LIST</b>	Series	Parts Group	Subclass / Remark	Page
	拷克	<b>KW</b>		4/4
	Overlock			Date
	含MO6800系列			2022/07/11

KW40E-6



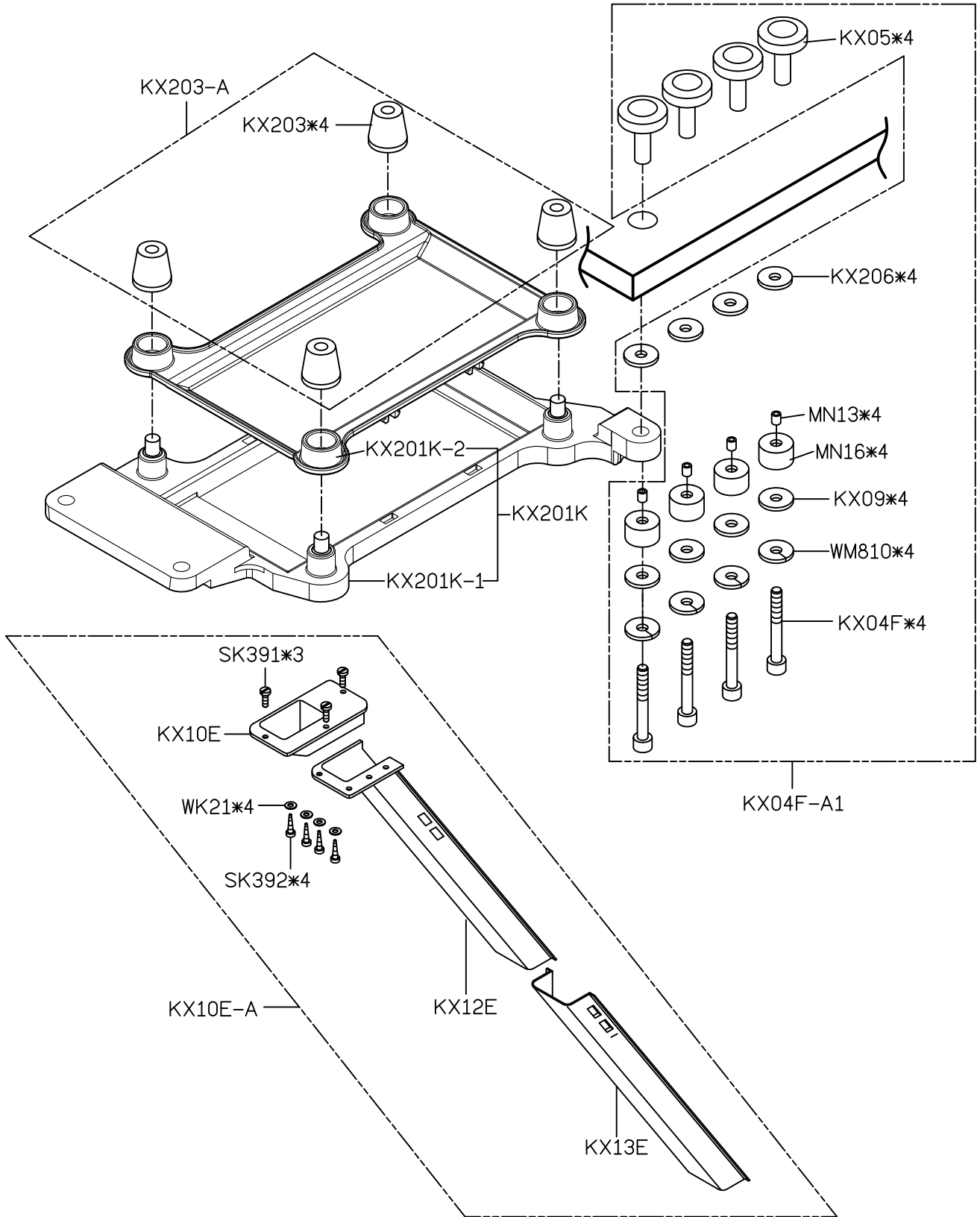
A

B

C

D

E



1

2

3

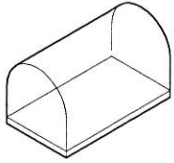
4

5

SiRUBA PARTS LIST	Series	Parts Group	Subclass Remark	Page
	700L	KY		1/1
				Date
				2022/06/23

A

KY01-1  
防塵罩



KY203-A  
油罐



KY03  
油壺



KY04  
漏斗

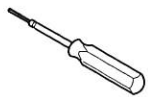


SK216  
螺絲

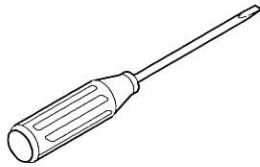


B

KY14  
內六角螺絲起子



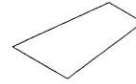
LY33  
一字起子



KY18  
鑷子



KY30  
針板紙

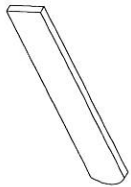


KY201JK  
工具袋



C

KR35  
下刀片



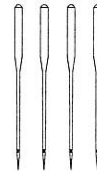
KT14-A  
濾油器



KZ03  
乾燥濟



針\*4  
車針



KY21-A/MY21-A  
鉤子/鍊條



D

E

1

2

3

4

5

<b>SIRUBA</b> PARTS LIST	Series	Parts Group	Subclass Remark	Page
	<b>700L</b>	<b>KZ</b>		1/1
				Date
				2022/06/07

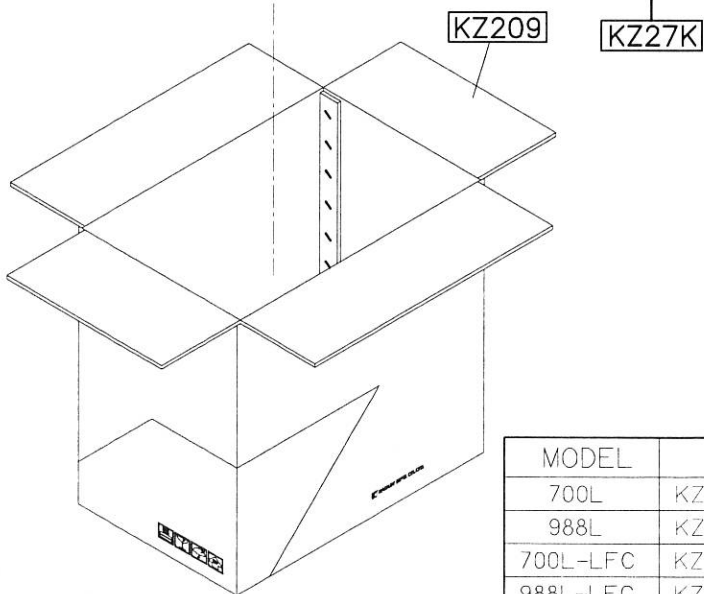
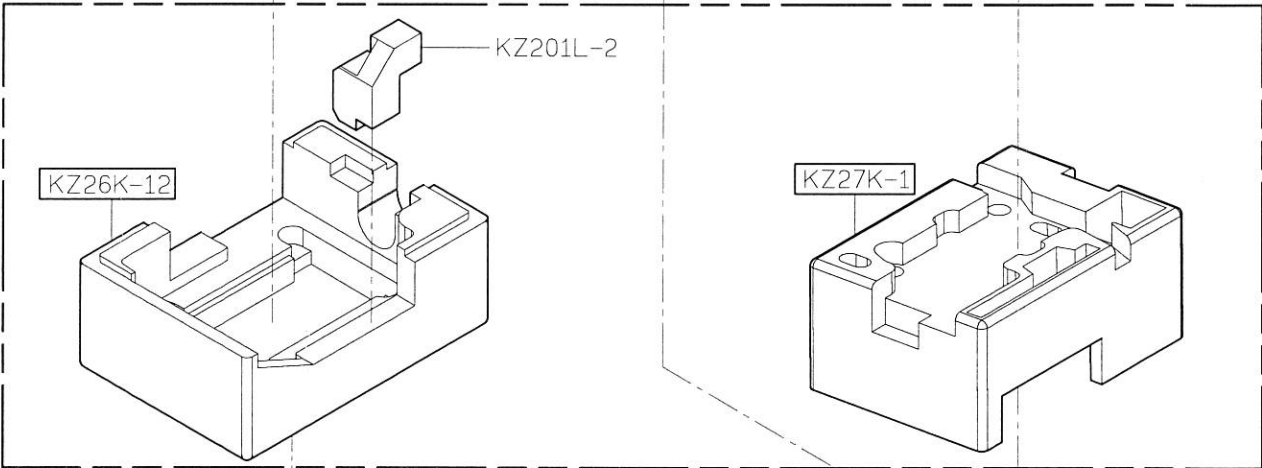
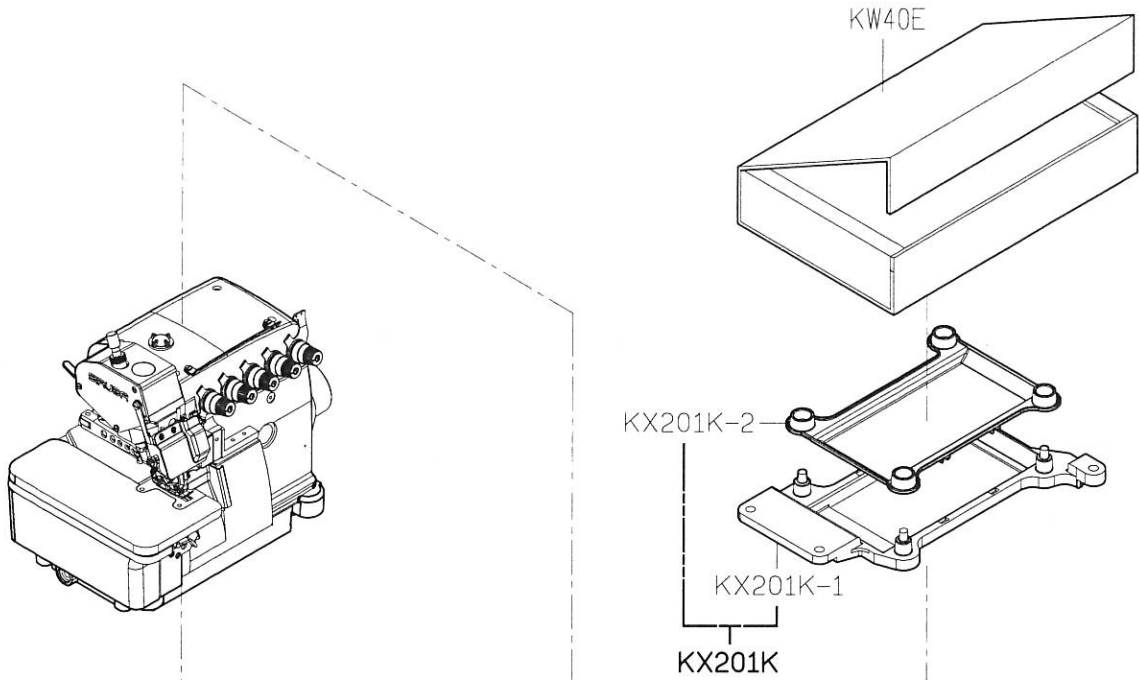
A

B

C

D

E



MODEL	PARTS NO		
700L	KZ209	KZ27K	KZ27K-1/KZ26K-12/KZ201-2
988L	KZ53P-1	KZ27K	KZ27K-1/KZ26K-12/KZ201-2
700L-LFC	KZ55P	KZ51K	KZ51K-1/KZ26K-2
988L-LFC	KZ55P-1	KZ51K	KZ51K-1/KZ26K-2

1

2

3

4

5



**SIRUBA**

TABLE  
CUT - OUT

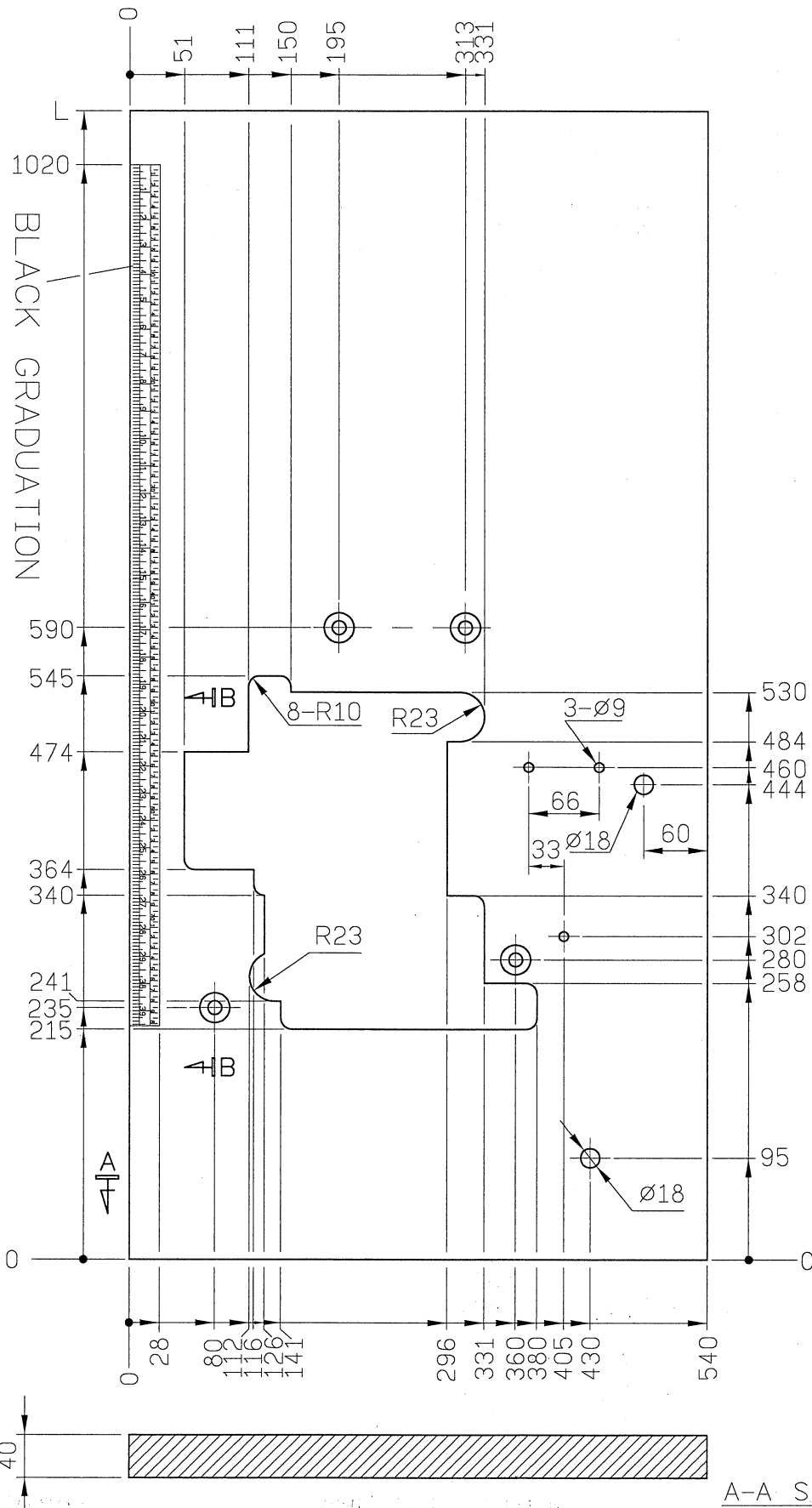
Series  
**700K/988**  
**700KT/700L**

Item Code  
**700K-T**

Subclass Remark

Mounting  
Semi-submerged  
Date  
2018/08/28

單位 / UNIT : mm  
所有尺寸公差 / TOLERANCE : ±2  
長度 (L) : 1070 / 重量 (W) : 10.5kg ±5%  
長度 (L) : 1200 / 重量 (W) : 11.5kg ±5%

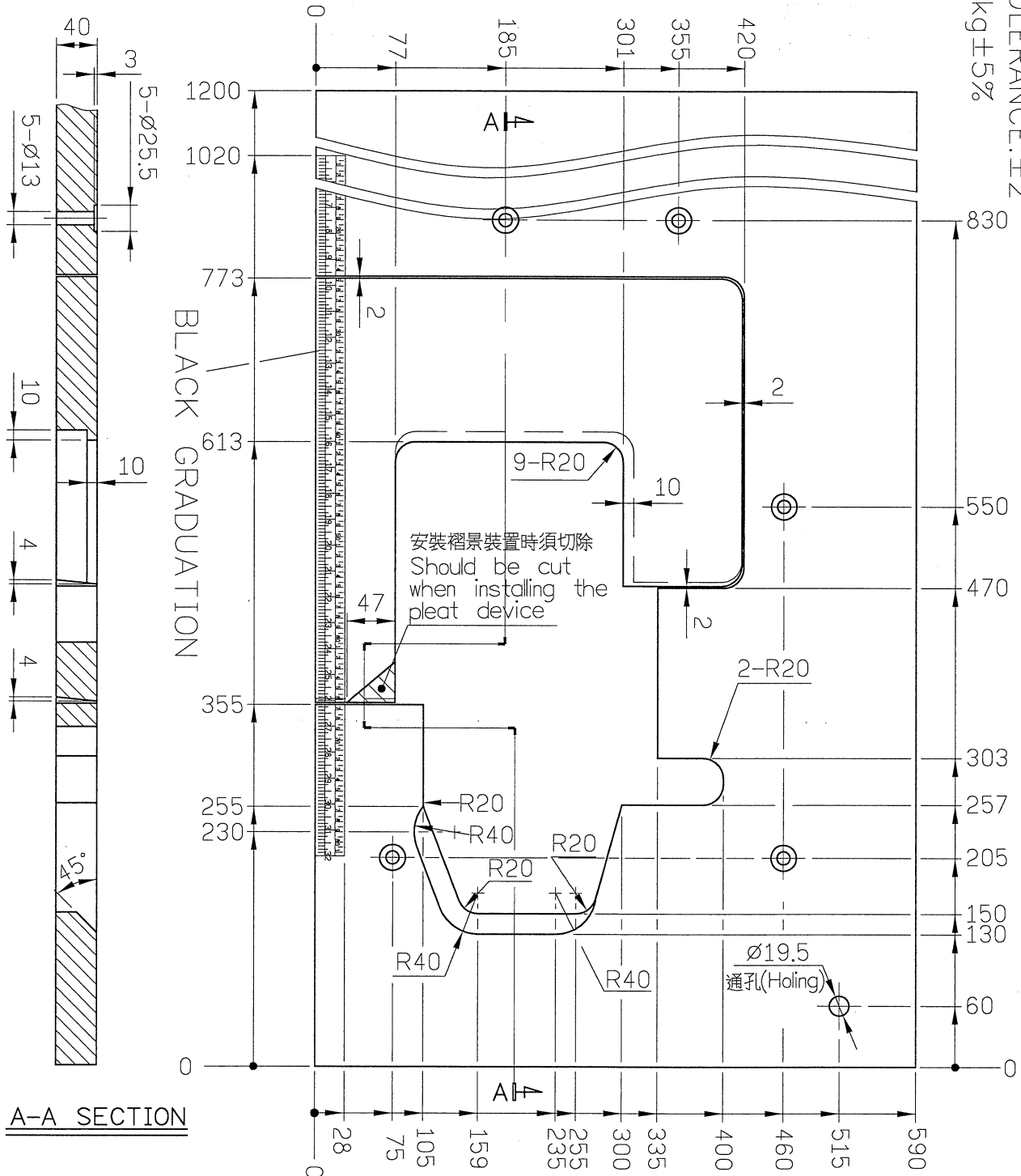


A-A SECTION

B-B SECTION

<b>SIRUBA</b> TABLE CUT - OUT	Series	Item Code	Subclass Remark	Mounting
	700K/988	700K-T2	需配TBK-1 (包含TB201) Collocate With TBK-1 (Including TB201)	Fully-submerged
	700L			Date
				2018/08/28

單位 / UNIT: mm  
 所有尺寸公差 / TOLERANCE: ±2  
 重量 (W): 12.4kg ±5%



**SIRUBA**TABLE  
CUT - OUT

Series

**700K/988**  
**700L**

Item Code

**700K-T3**

Subclass Remark

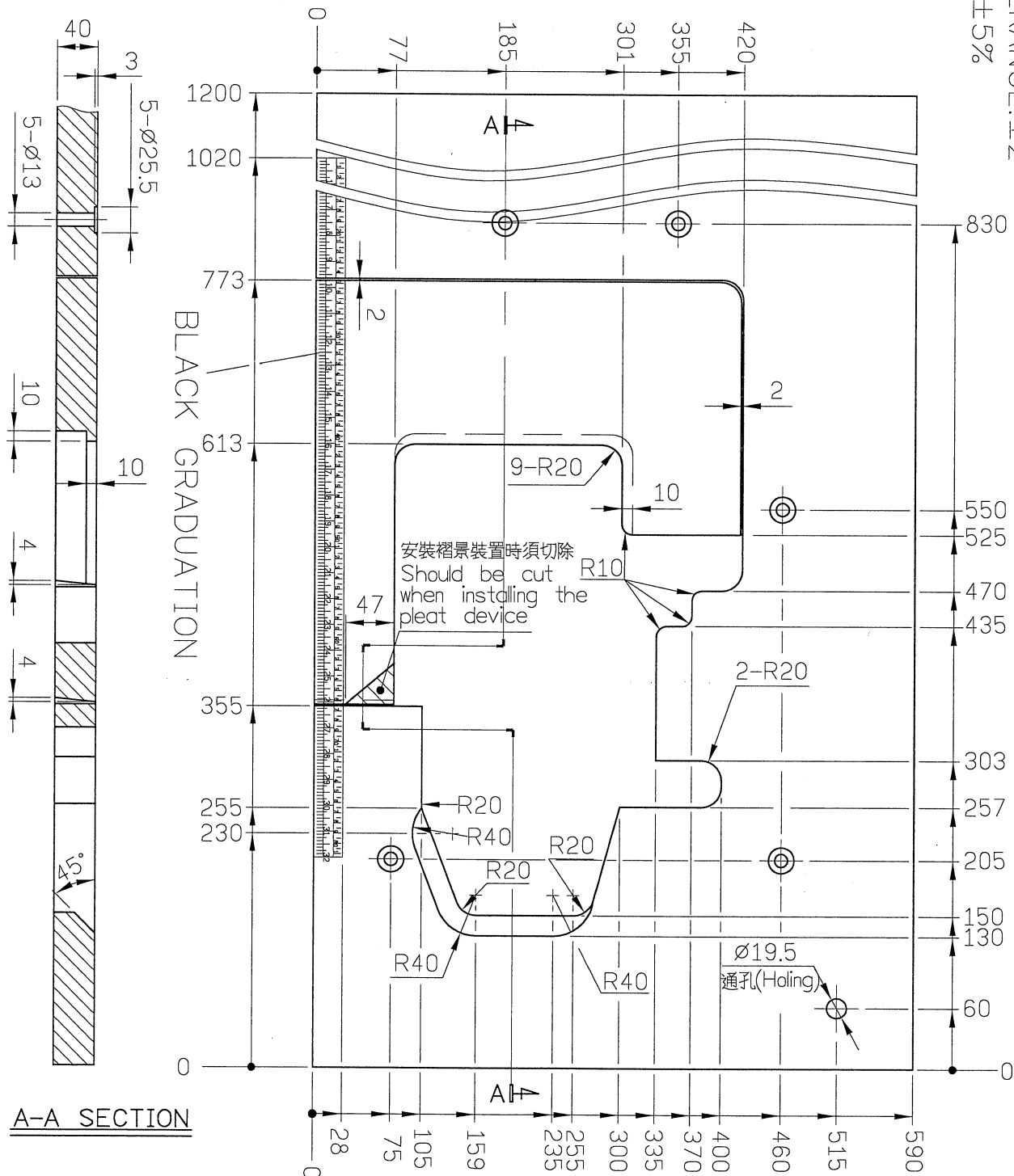
For:EC.CT.VT  
需配TBK-1(包含TB201)  
Collocate With  
TBK-1(Including TB201)

Mounting

Fully-submerged

Date

2018/08/28

單位 / UNIT: mm  
所有尺寸公差 / TOLERANCE: ±2  
重量 (W): 12.4kg ±5%

**SIRUBA**TABLE  
CUT - OUT

Series

700K/988

700L

Item Code

TB201

Subclass Remark

Mounting

Fully-submerged  
Fixed Table

Date

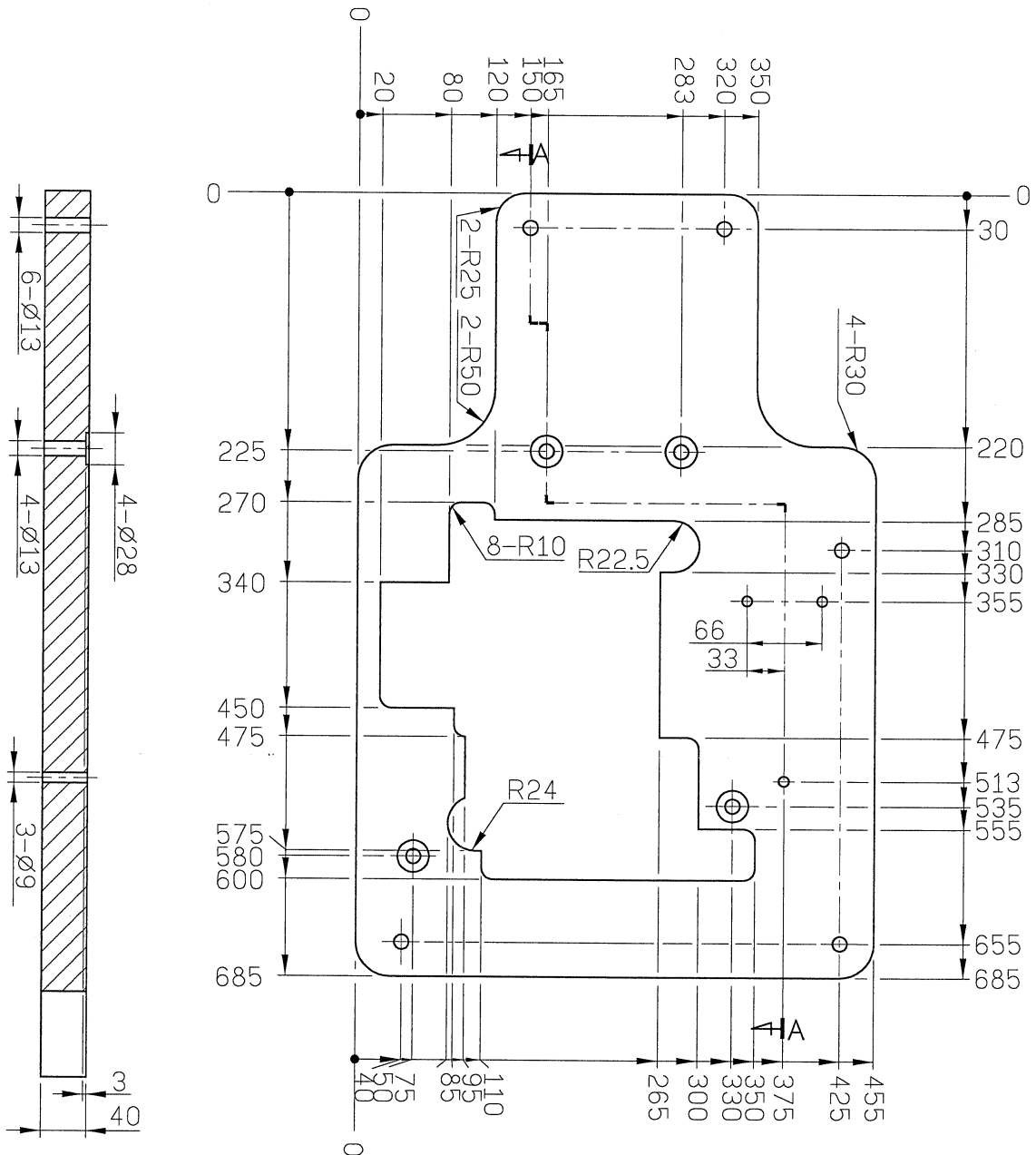
2018/08/28

單位/UNIT:mm

所有尺寸公差/DIFFERENCE:±2

重量(W):4.25kg±5%

全封邊灰格紋光塑面台板/Plastic Table With All Sides Sealed With Gray Plaid

A-A SECTION

**SIRUBA**

TABLE  
CUT - OUT

Series

700K/988/700KT  
700L/700LD

Item Code

700LD-T

Subclass Remark

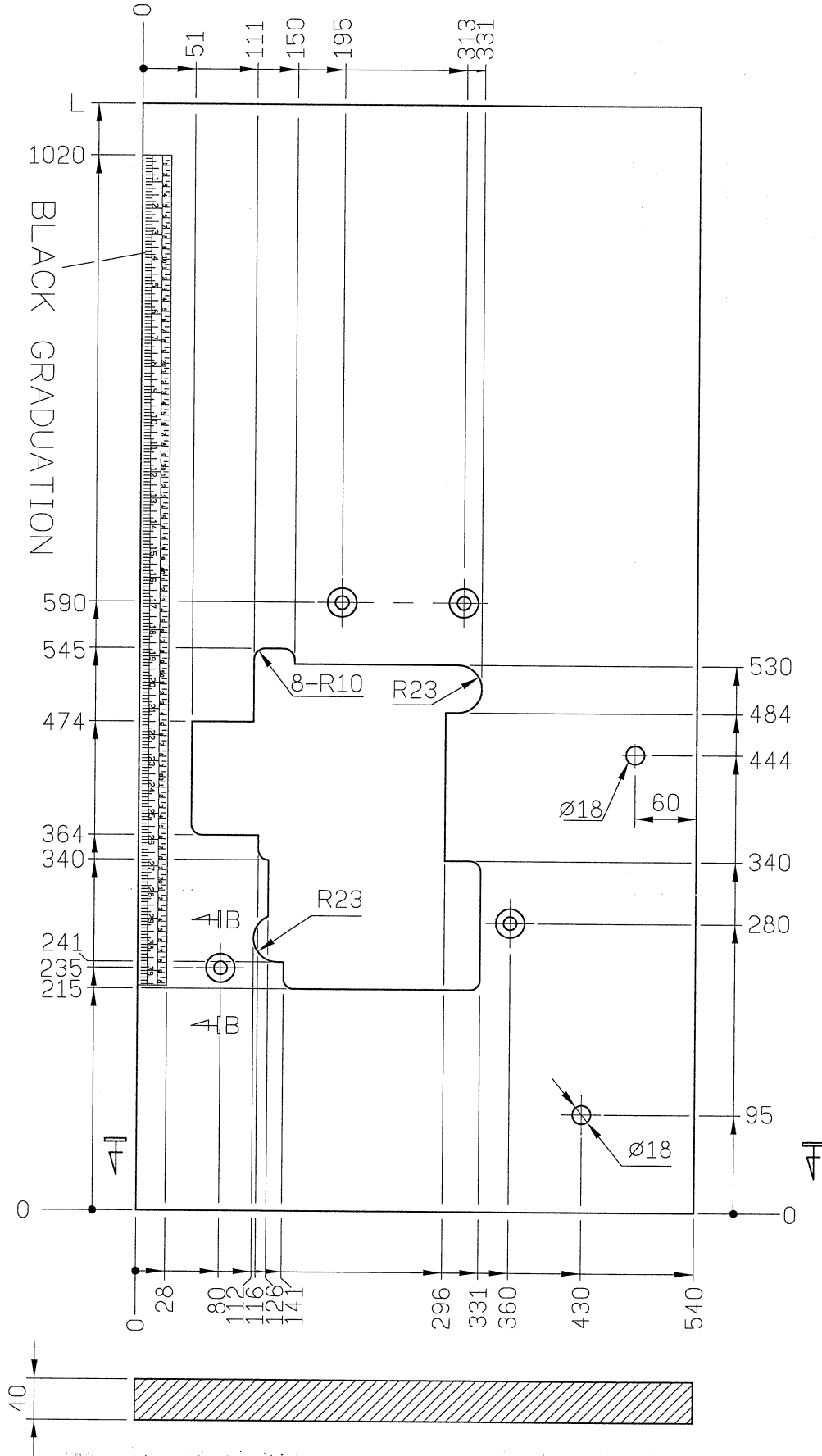
FOR 直驅用

Mounting

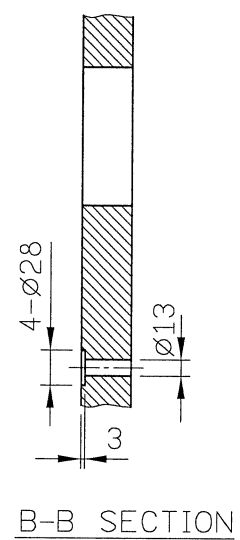
Semi-submerged

Date

2018/08/31



單位 / UNIT: mm  
所有尺寸公差 / TOLERANCE:  $\pm 2$   
長度 (L): 1200  
重量 (W):  $11.5 \text{Kg} \pm 5\%$



B-B SECTION