

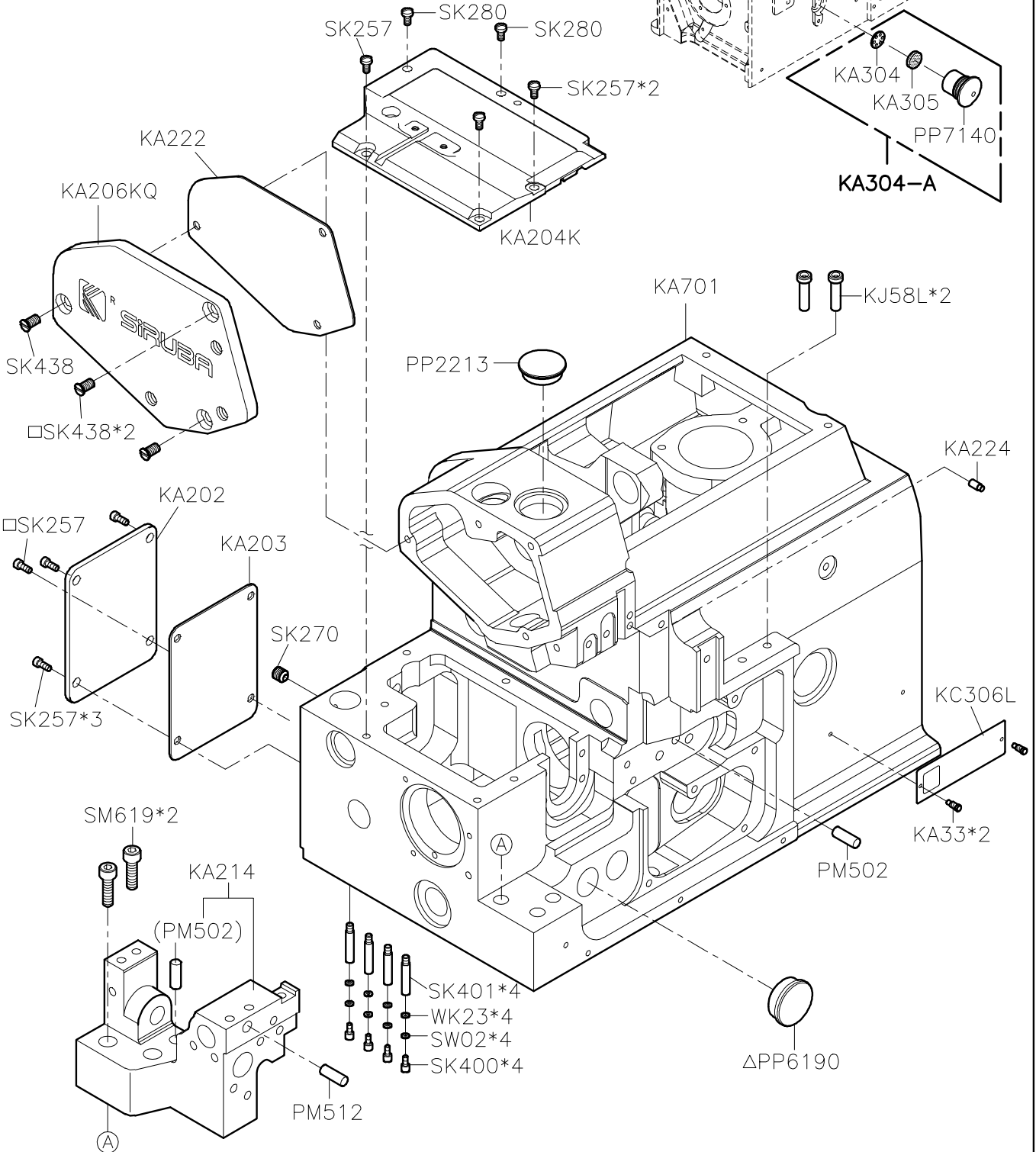
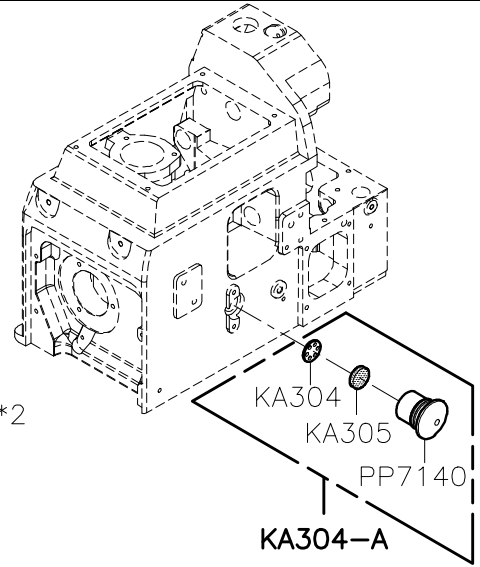
A

B

C

D

E



1

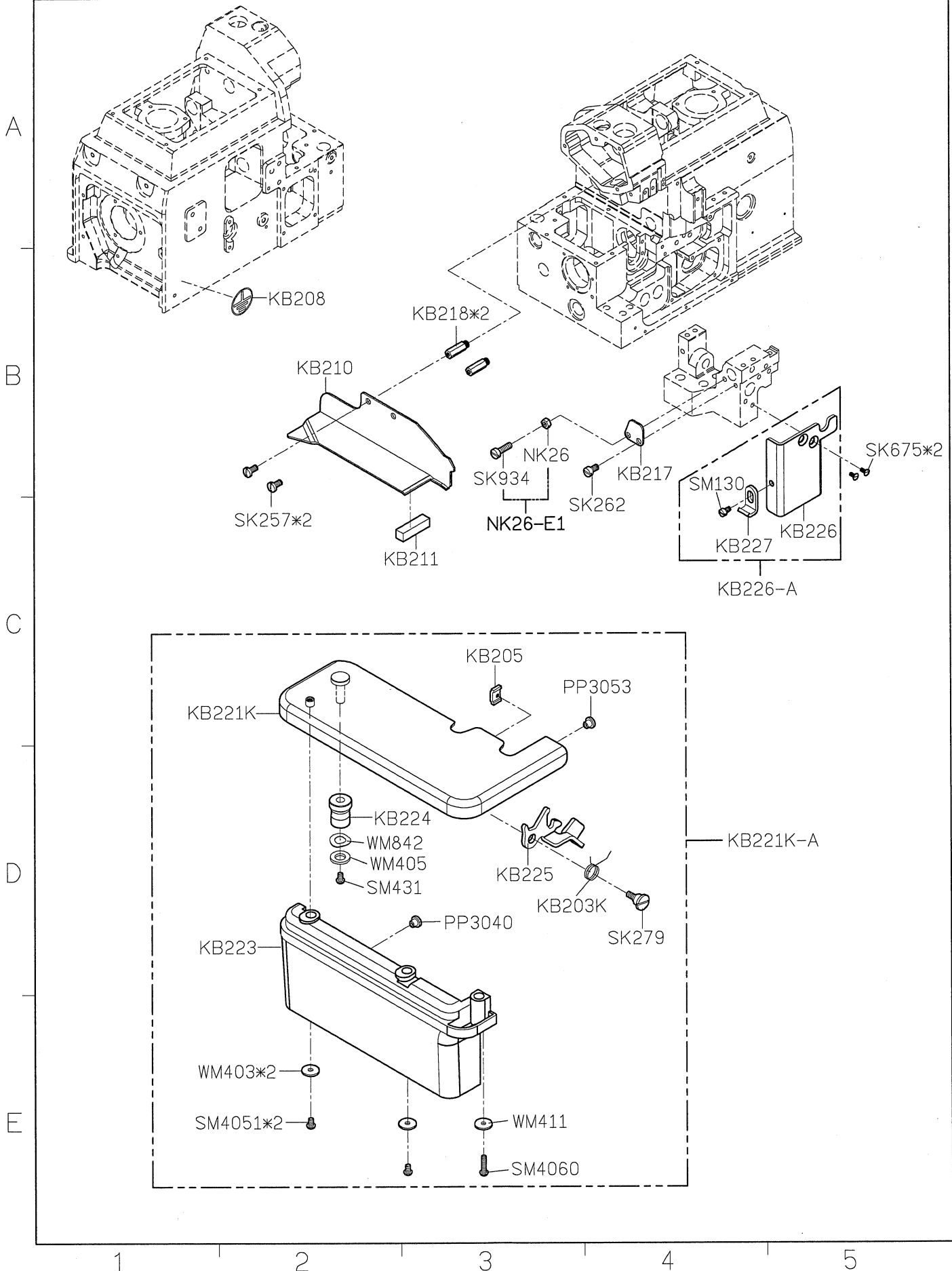
2

3

4

5

SIRUBA PARTS LIST	Series	Parts Group	Subclass / Remark	Page
	700LQ	KB		1/1
				Date
				2021/03/25



MODEL	#3/#4	#5/#6
	KC209K	<C219<
PARTS NO	KC303K-4	KC303K-5
	SM431*2	SM446*2

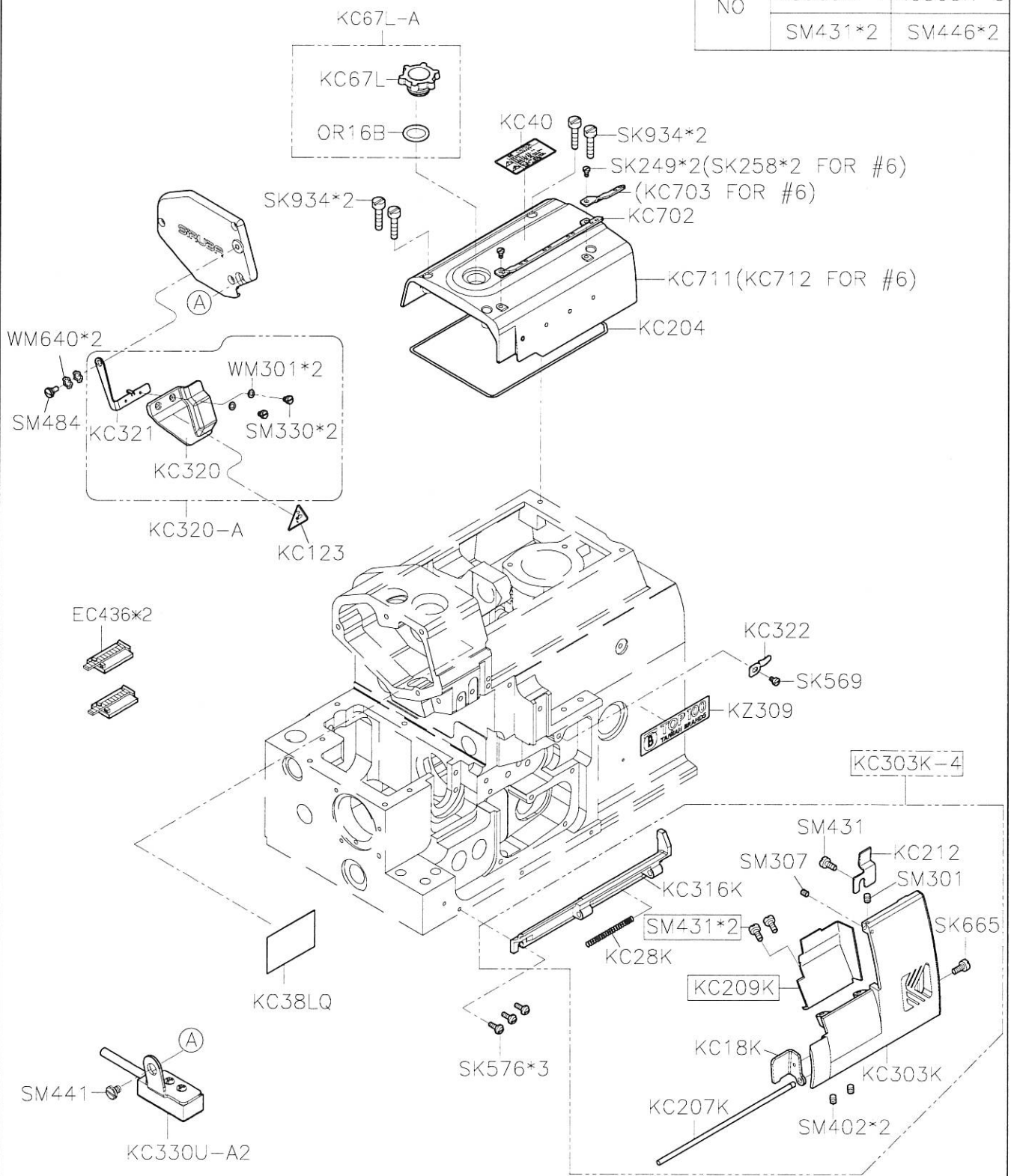
A

B

C

D

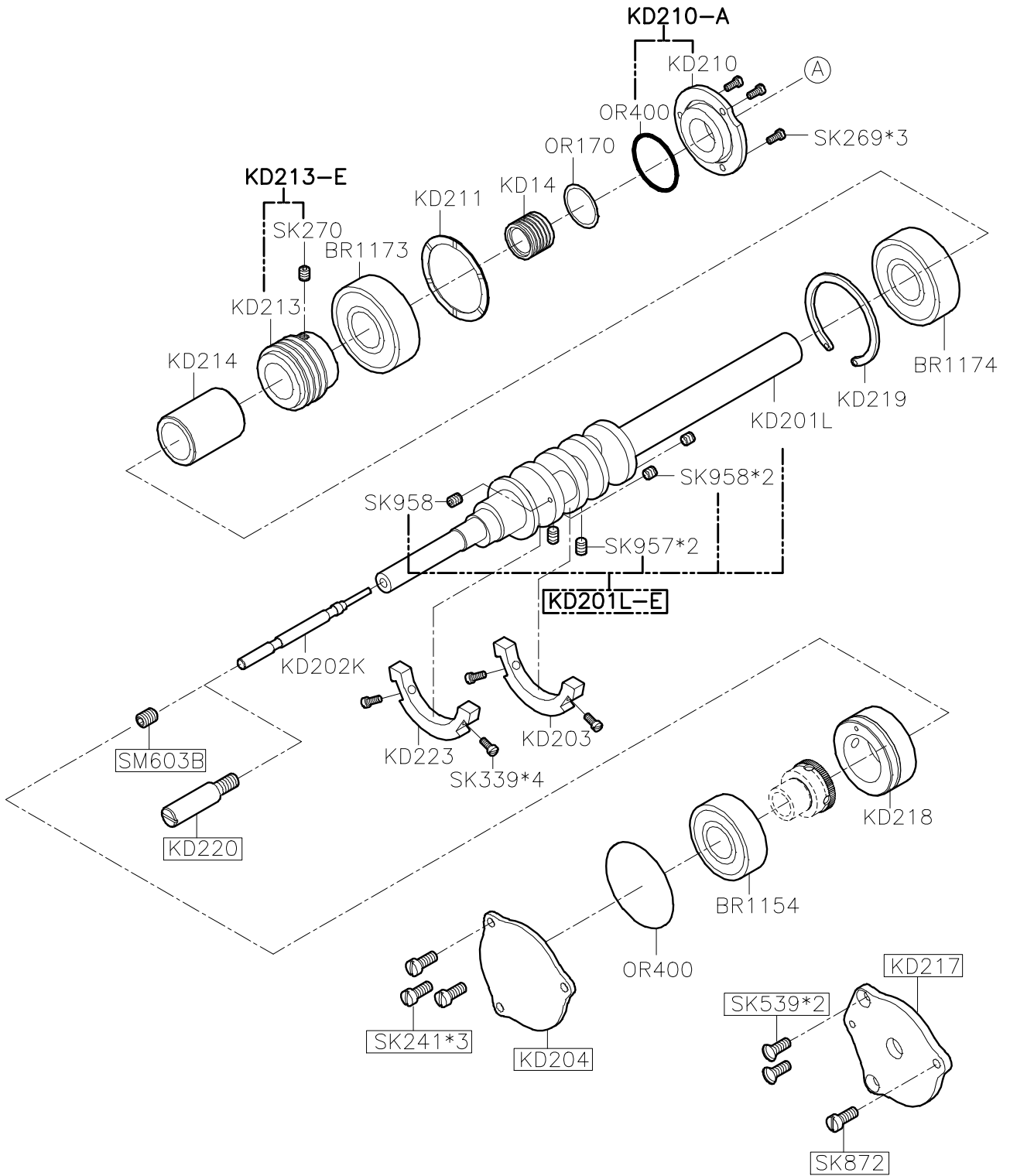
E



SIRUBA PARTS LIST	Series	Parts Group	Subclass / Remark	Page
	700LQ	KD		1/2
				Date
				2022/06/16

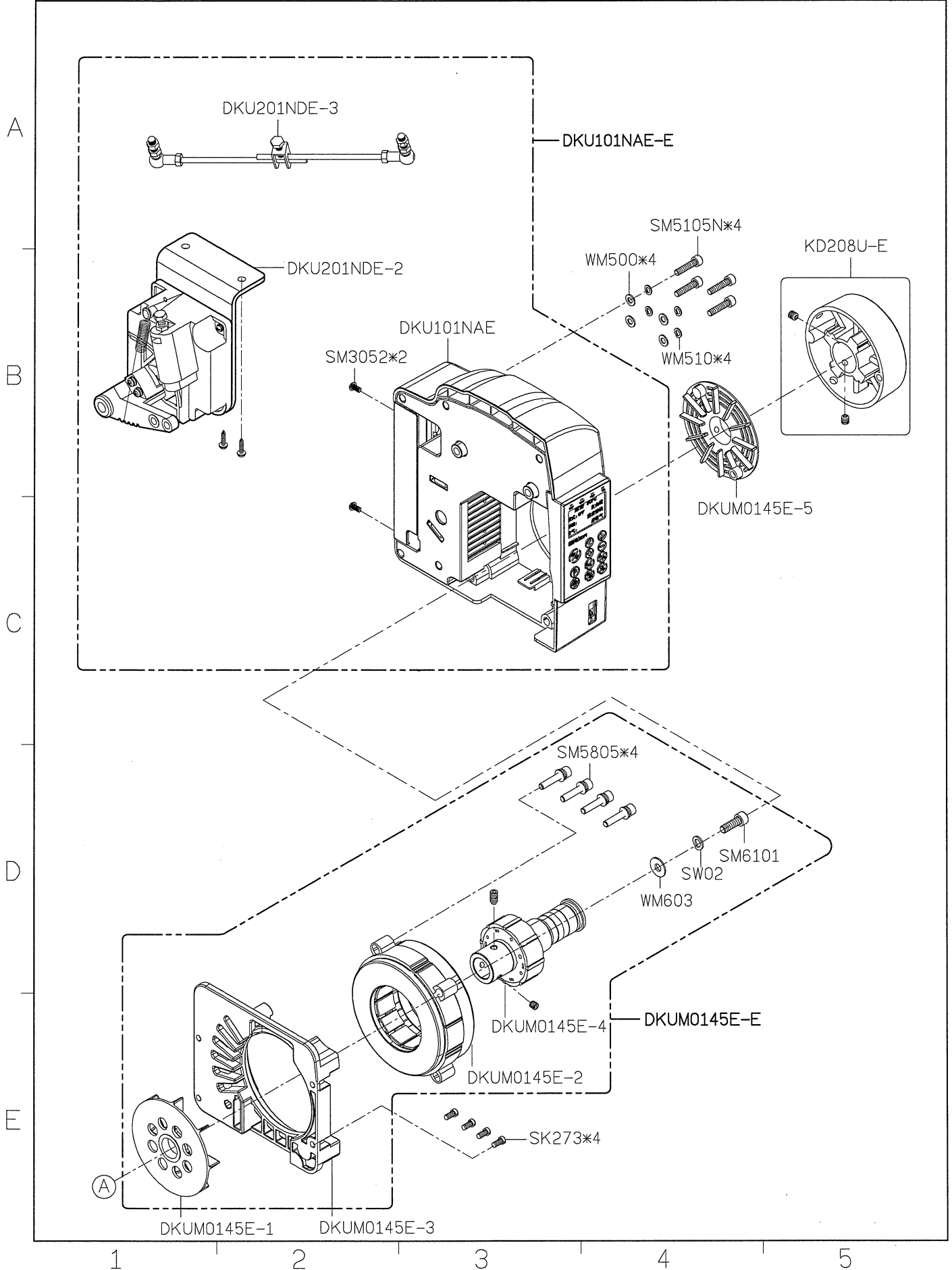
MODEL	#3/#4	#5/#6
	KD204	KD217
PARTS NO	SM603B	KD220
	SK241*3	SK539*2 SK872*1
	KD201L	

A
B
C
D
E

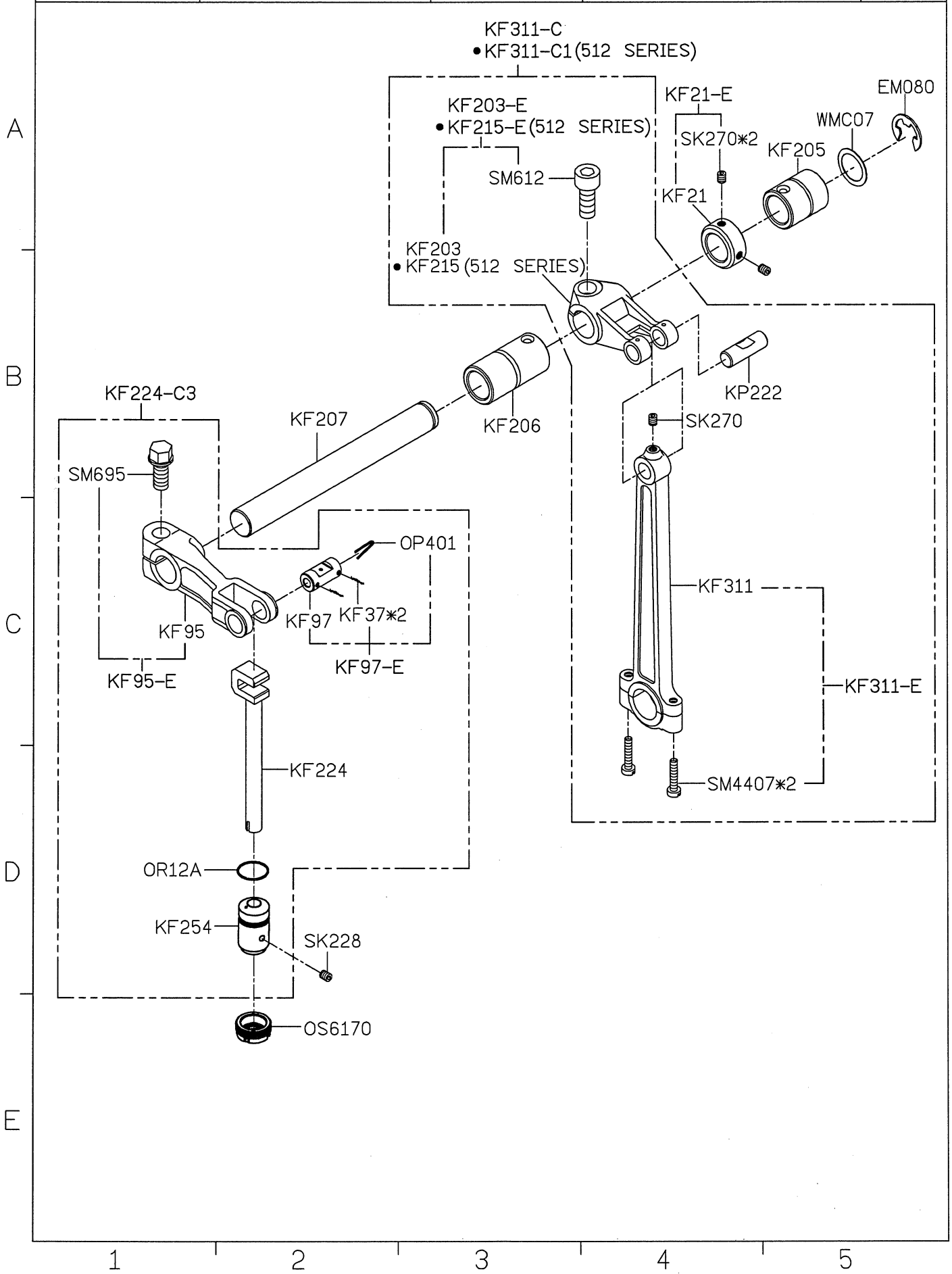


1 2 3 4 5

SIRUBA PARTS LIST	Series	Parts Group	Subclass / Remark	Page
	700LQ	KD		2/2
				Date
				2021/03/25



SIRUBA PARTS LIST	Series	Parts Group	Subclass / Remark	Page
	700LQ	KF		1/1
				Date
				2021/03/25



SIRUBA PARTS LIST	Series	Parts Group	Subclass / Remark	Page
	700LQ	KG	Use for #3 此頁僅限3線機型專用 ★:Use for ECM(ECA-U)(ECB-U)(VE-U)(TE-U) ▽:Use for without ECM(ECA-U)(ECB-U)(VE-U)(TE-U)	1/4 Date 2024/09/10

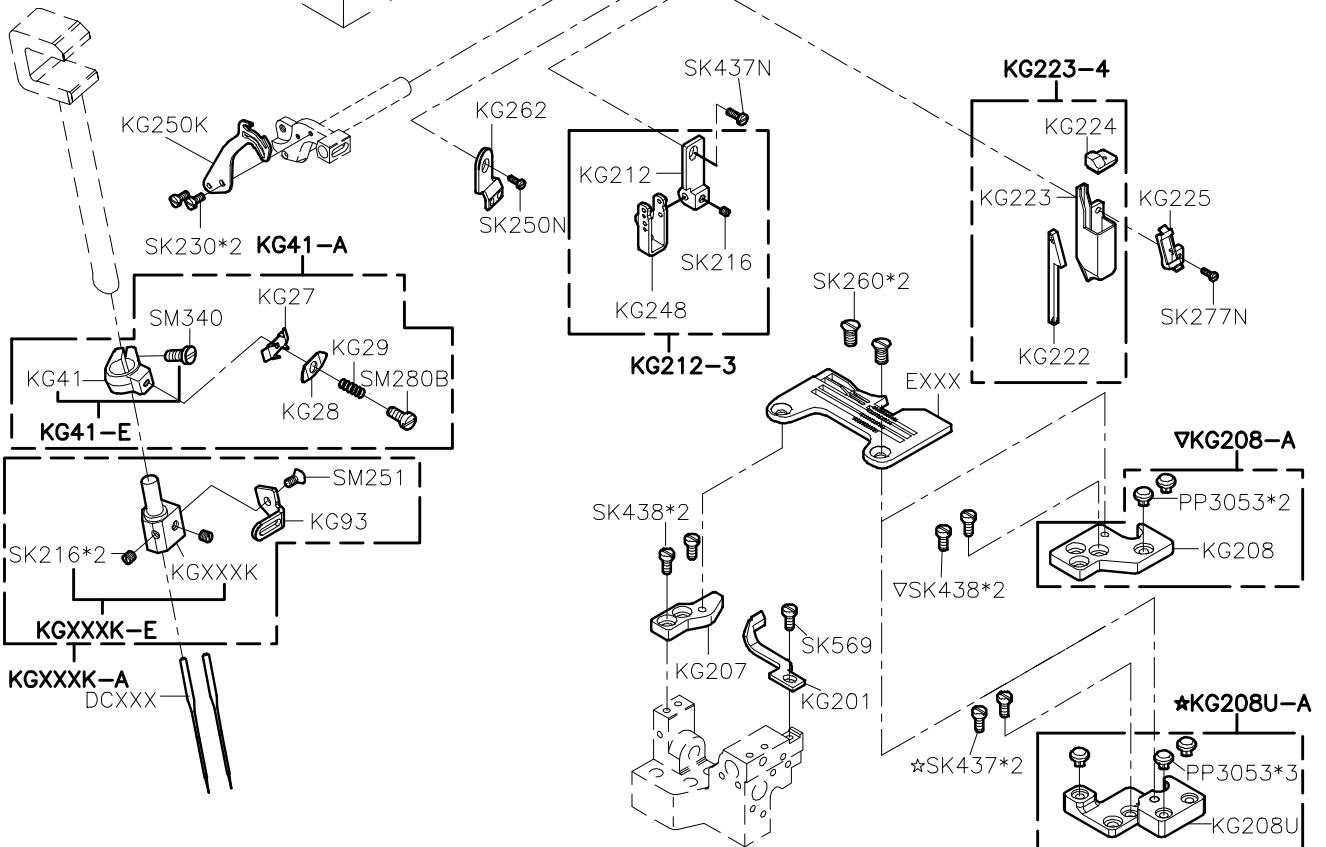
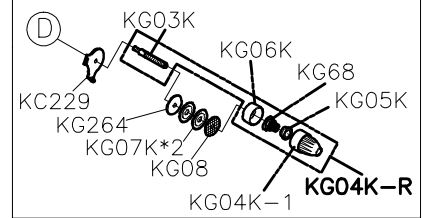
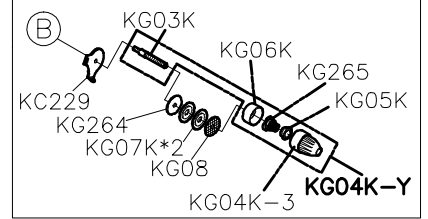
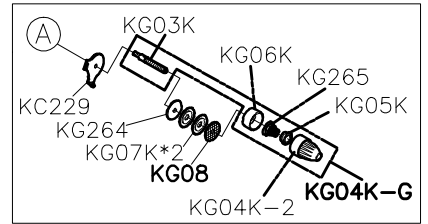
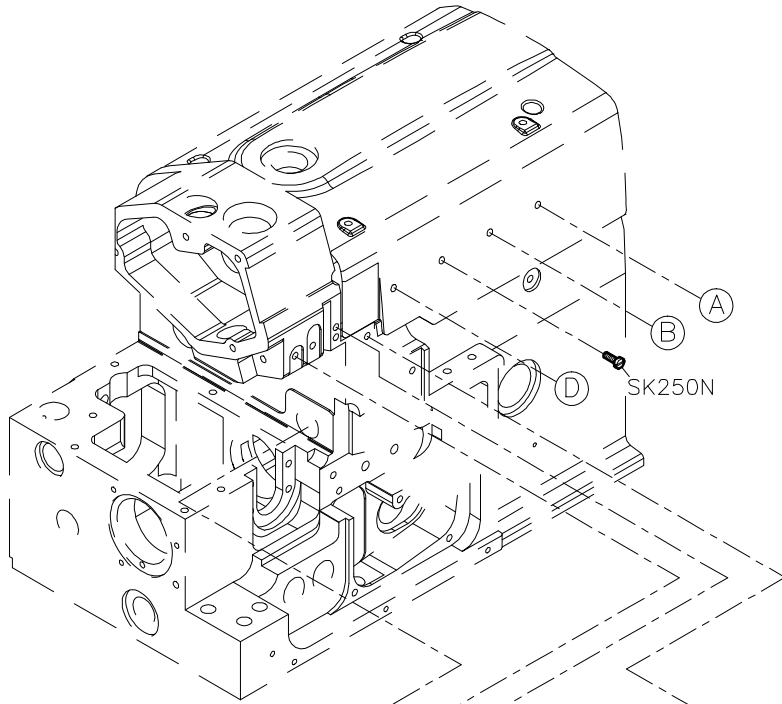
A

B

C

D

E



1

2

3

4

5

Use for #4 此頁僅限4線機型專用
 Δ: Use for H-3(H-4)(X-3)
 □: Use for without H-3(H-4)(X-3)
 ☆: Use for ECM(ECA-U)(ECB-U)(VTE-U)(CTE-U)
 ▽: Use for without ECM(ECA-U)(ECB-U)(VTE-U)(CTE-U)

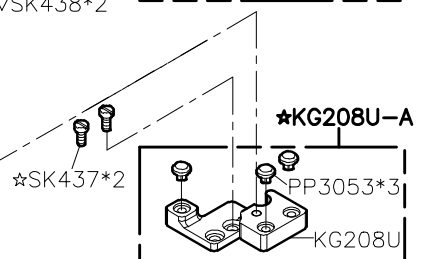
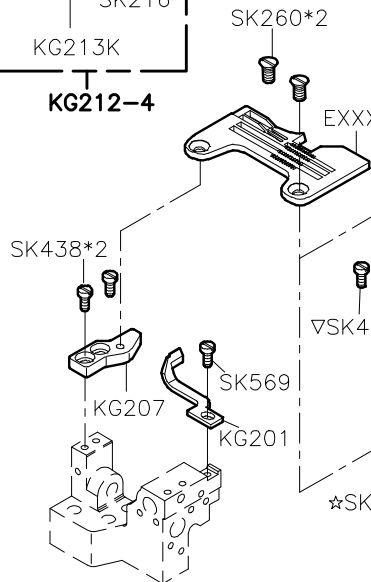
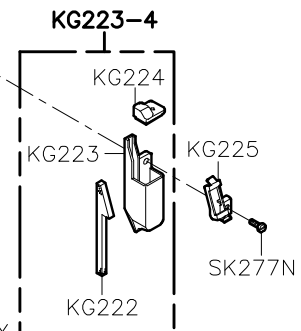
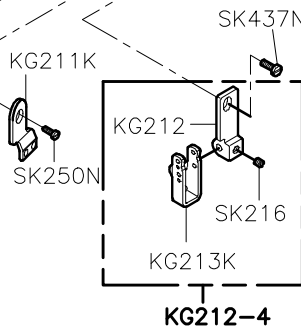
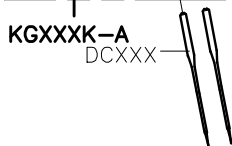
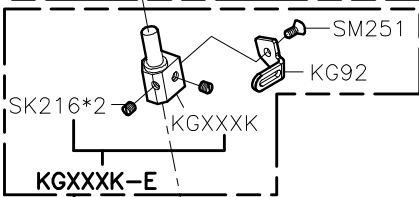
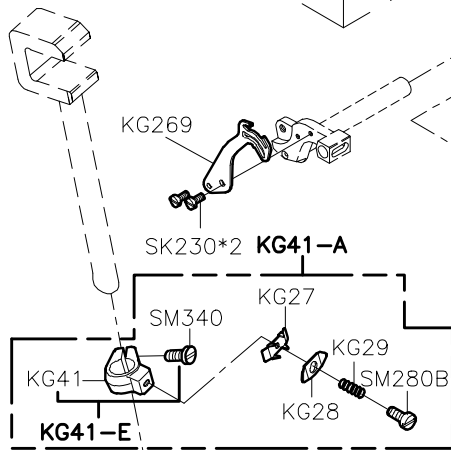
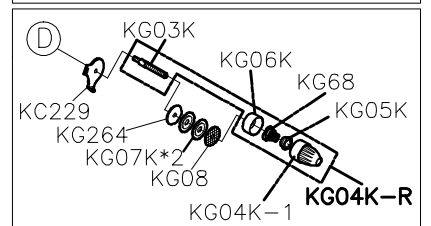
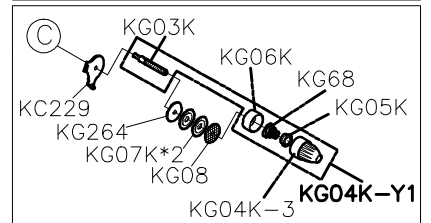
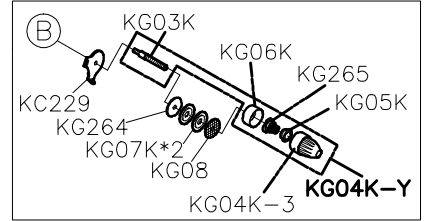
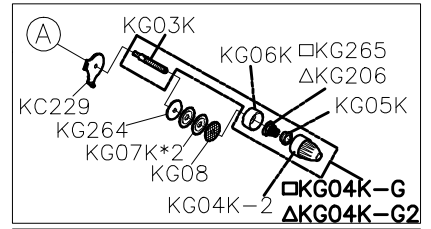
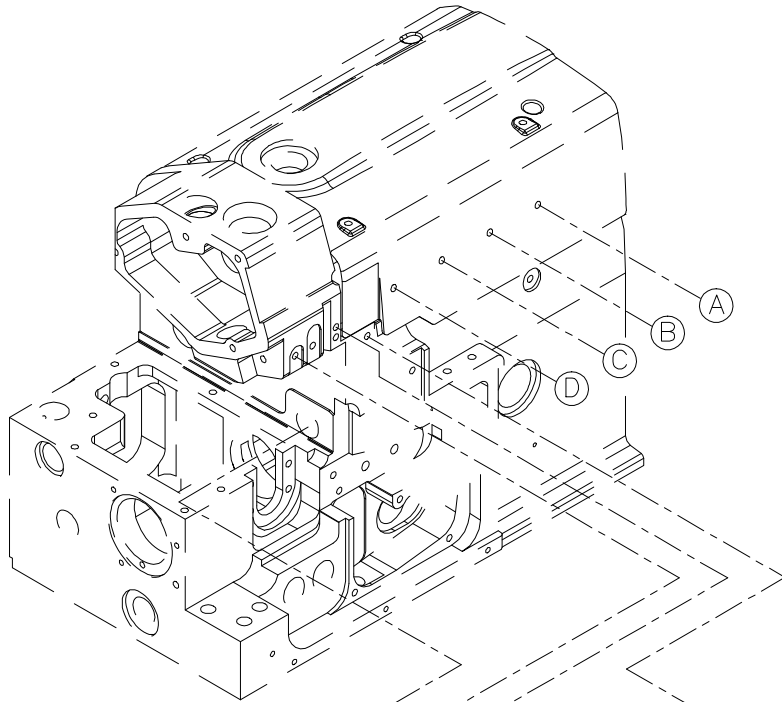
A

B

C

D

E



1

2

3

4

5

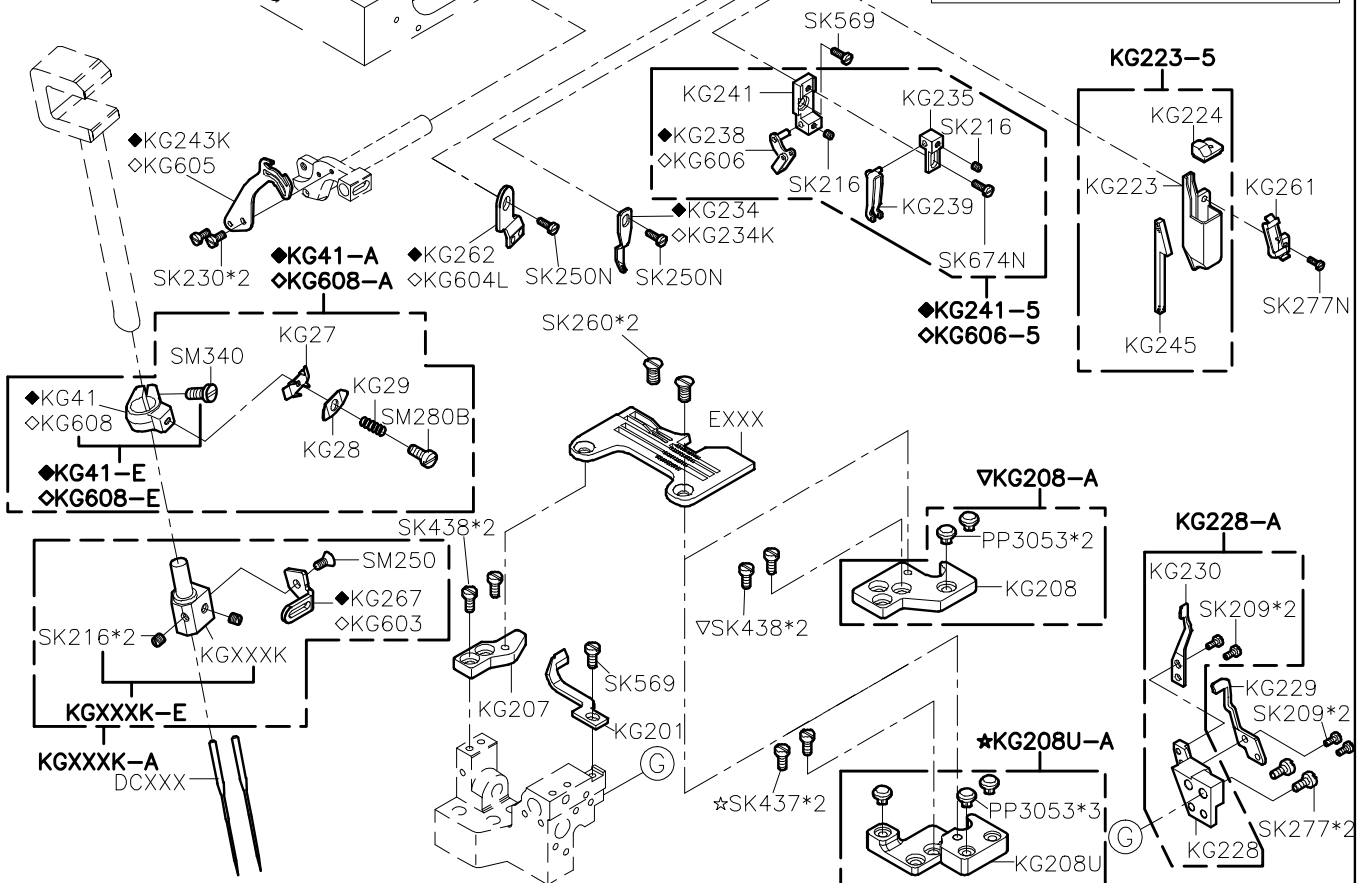
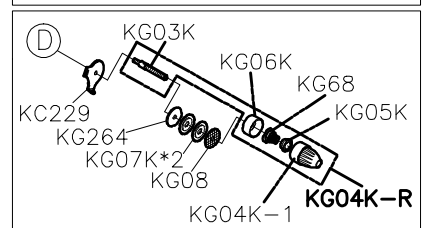
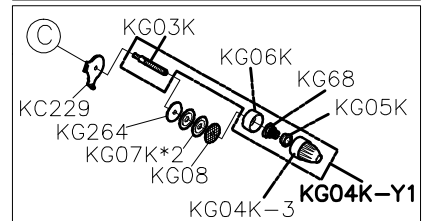
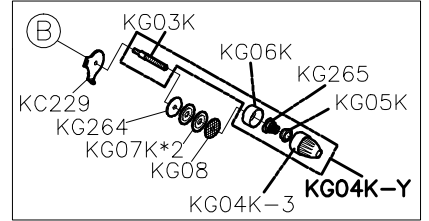
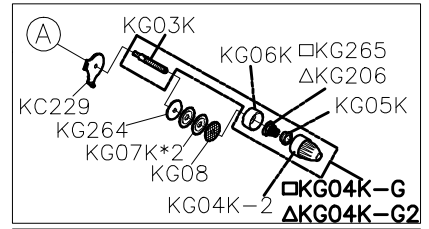
A

B

C

D

E



1

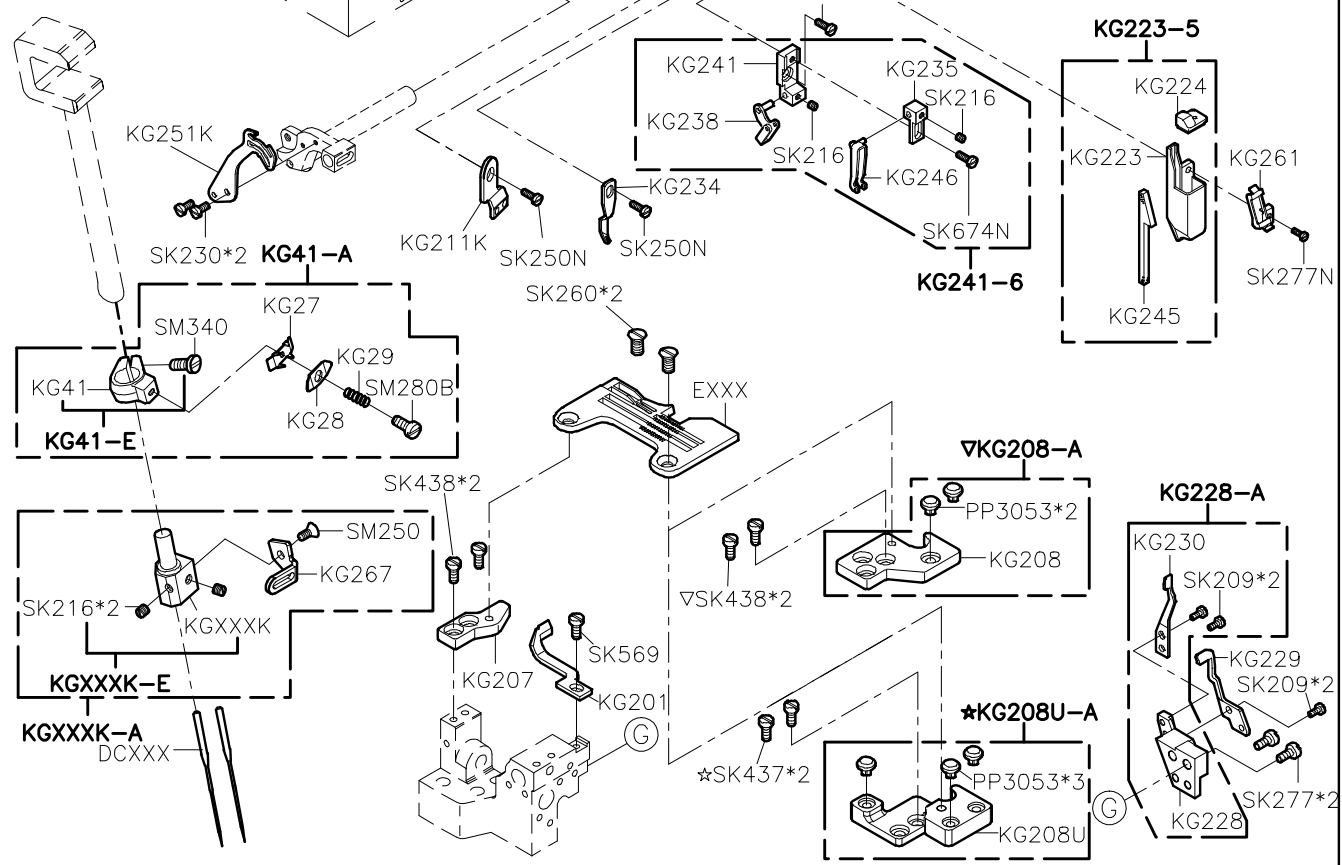
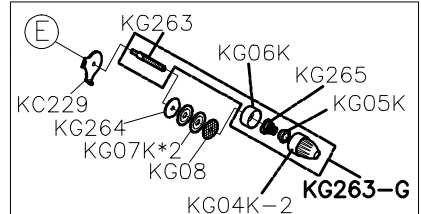
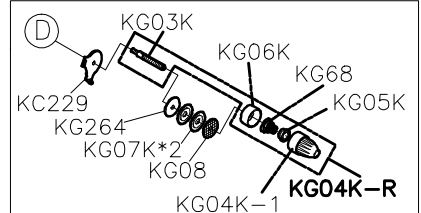
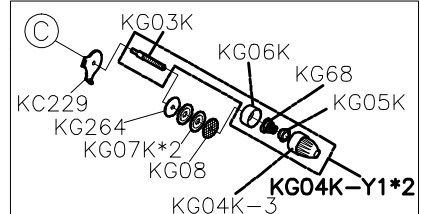
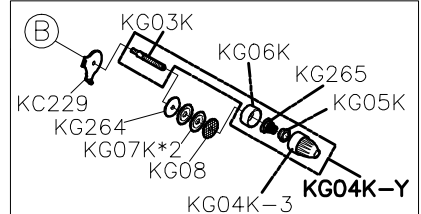
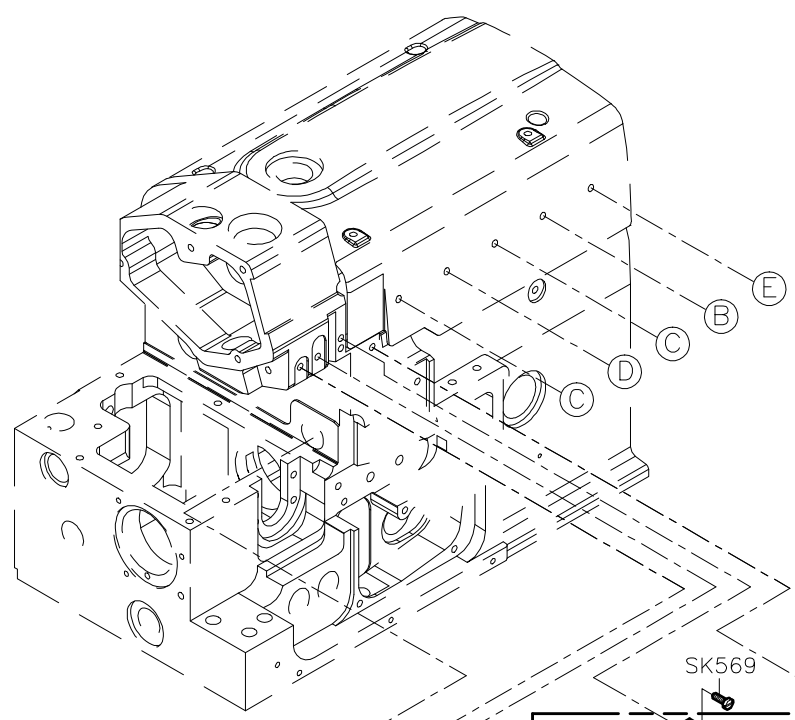
2

3

4

5

A
B
C
D
E



1 2 3 4 5

MODEL	#3/#5	#4/#6
PARTS NO	KJ247L-E	KJ246L-E
	KJ206	KJ203
	KJ206-E	KJ203-E
	KJ206-C1	KJ203-C1
	KJ245	KJ242
	KJ245-C2	KJ242-C2

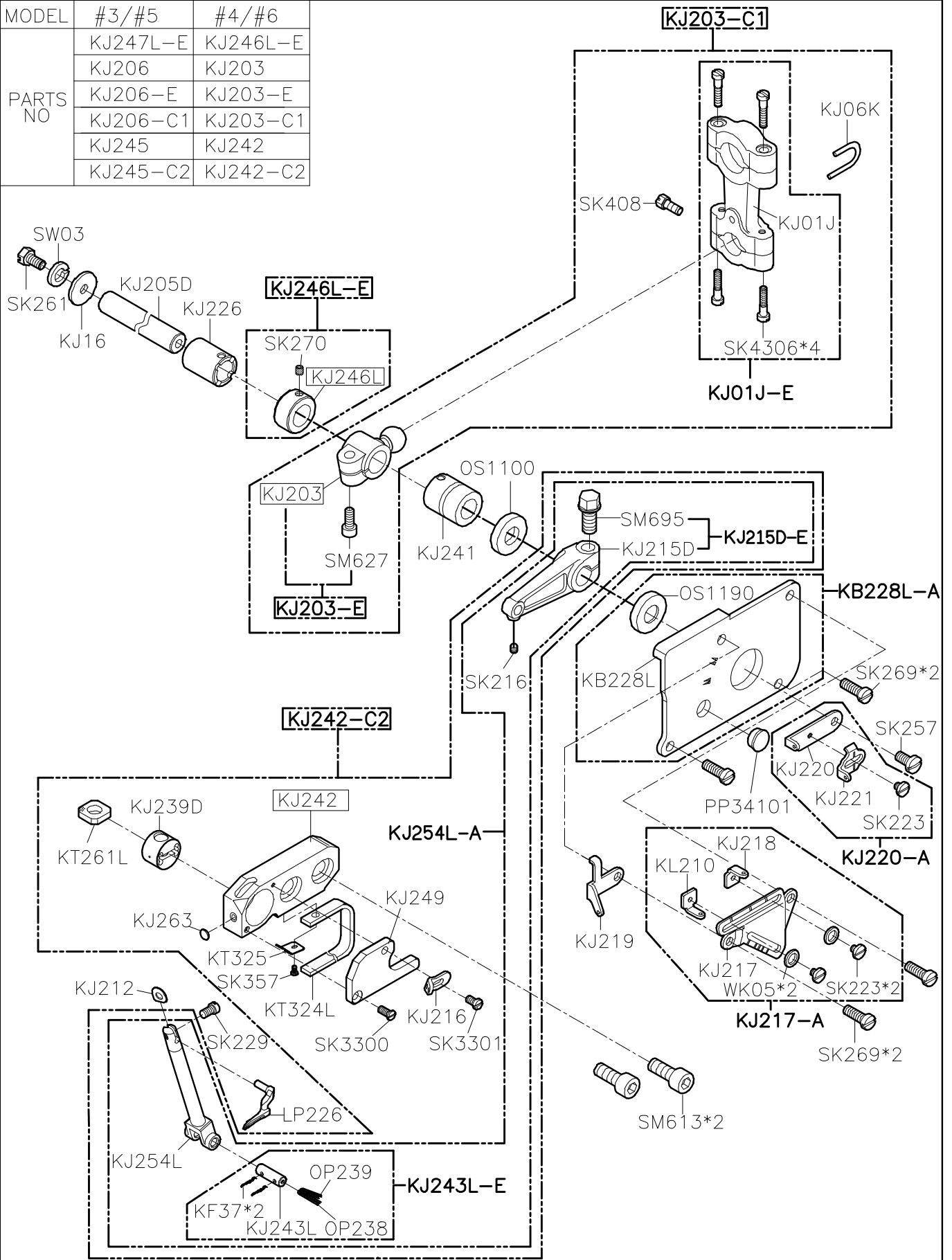
A

B

C

D

E



1

2

3

4

5

SIRUBA PARTS LIST	Series	Parts Group	Subclass / Remark	Page
	700LQ	KL		1/1
				Date
				2021/03/25

MODEL	#3/#4	#5/#6
PARTS NO	KJ222	
	KL202	
	KL211-A	
	KL205	KL209
	SK270	
	KL205-E	KL209-E
	KL205-C	KL209-C

KL KL KM
 SERIES SERIES SERIES
 $P+R+S=KL209-C$
 KL KL
 SERIES SERIES
 $P+Q=KL205-C$

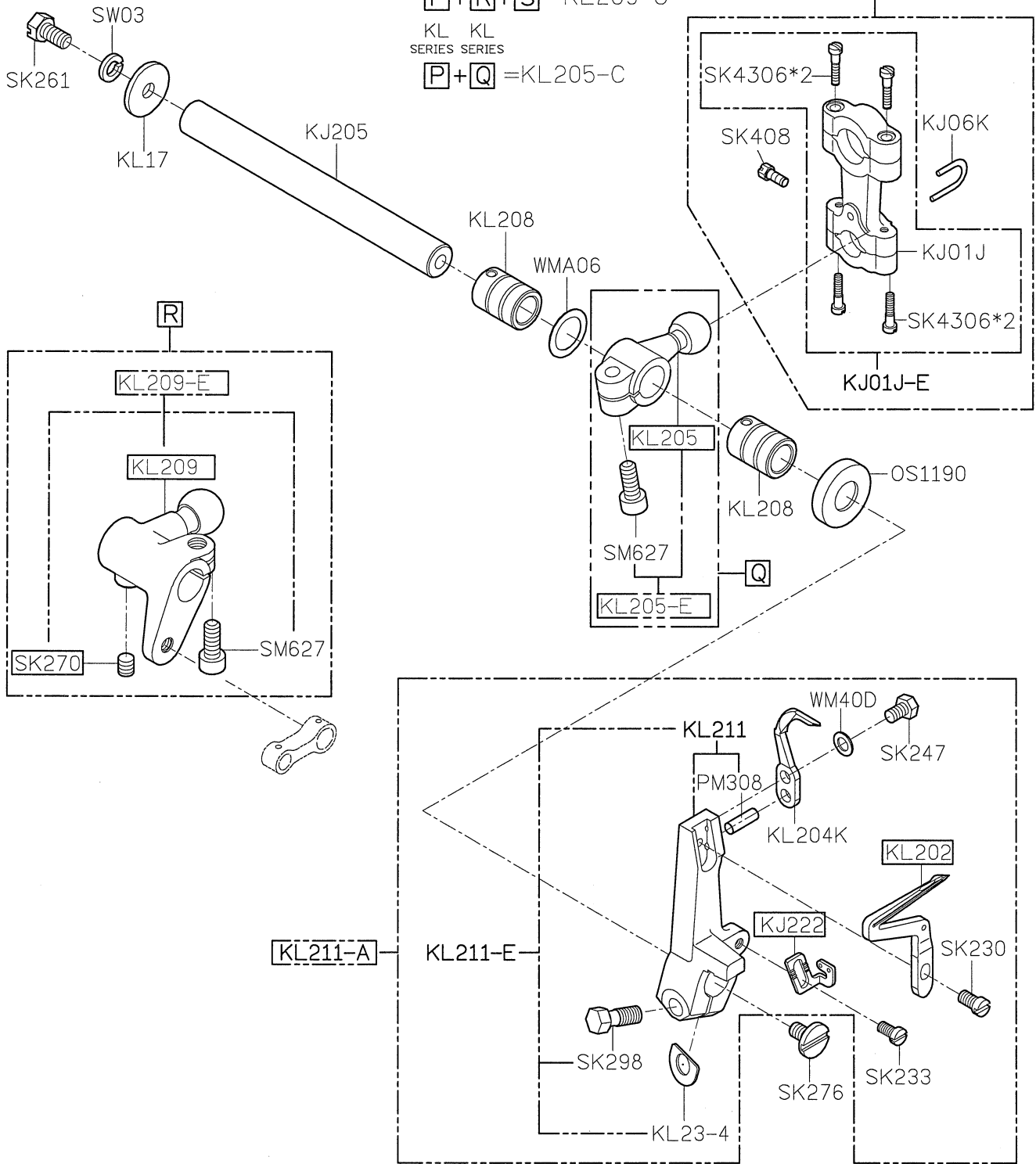
A

B

C

D

E



SIRUBA PARTS LIST	Series	Parts Group	Subclass / Remark	Page
	700LQ	KM		1/1
				Date
				2021/03/25

S + R + P = KL209-C
 KM KL KL

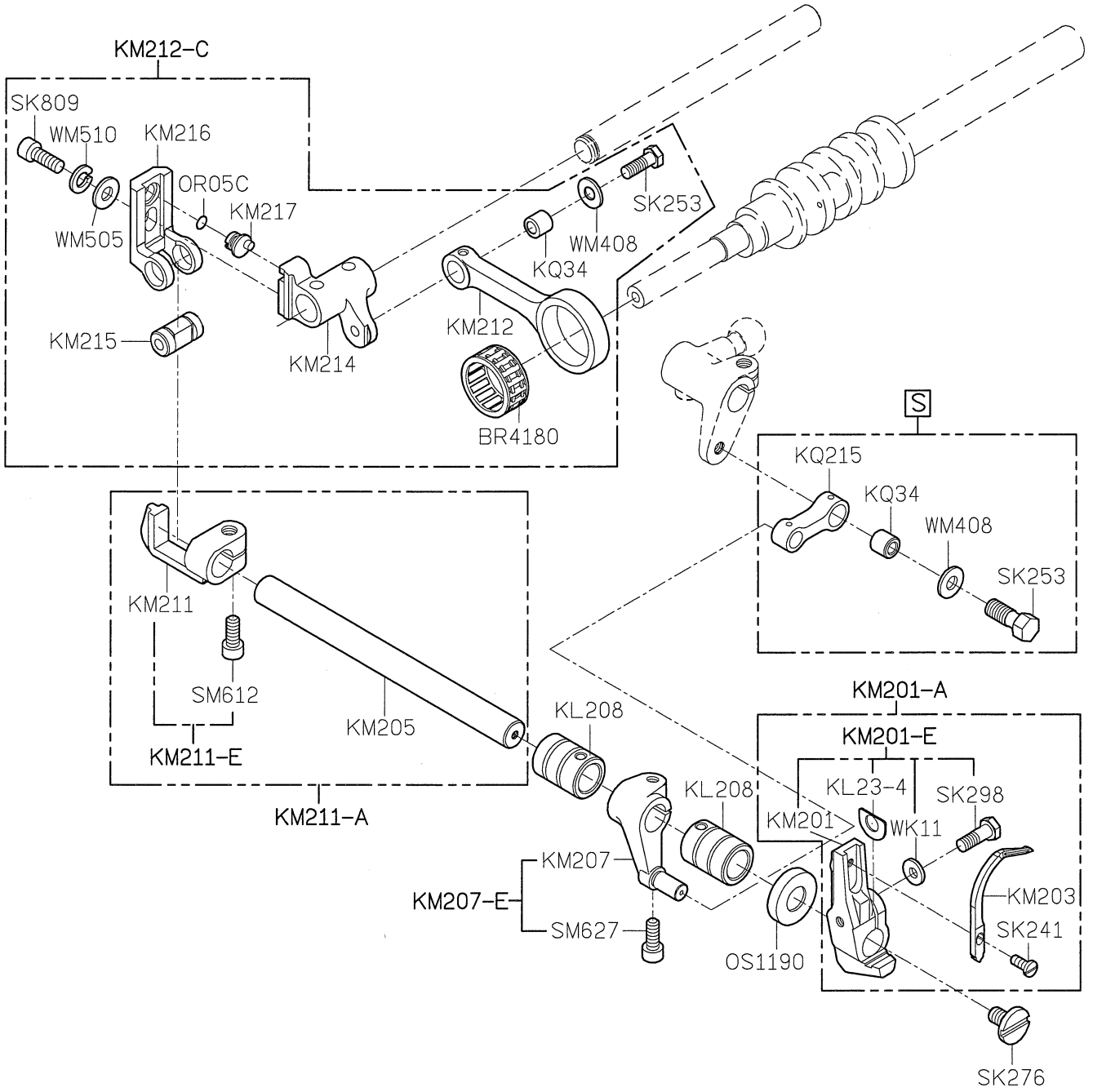
A

B

C

D

E



1

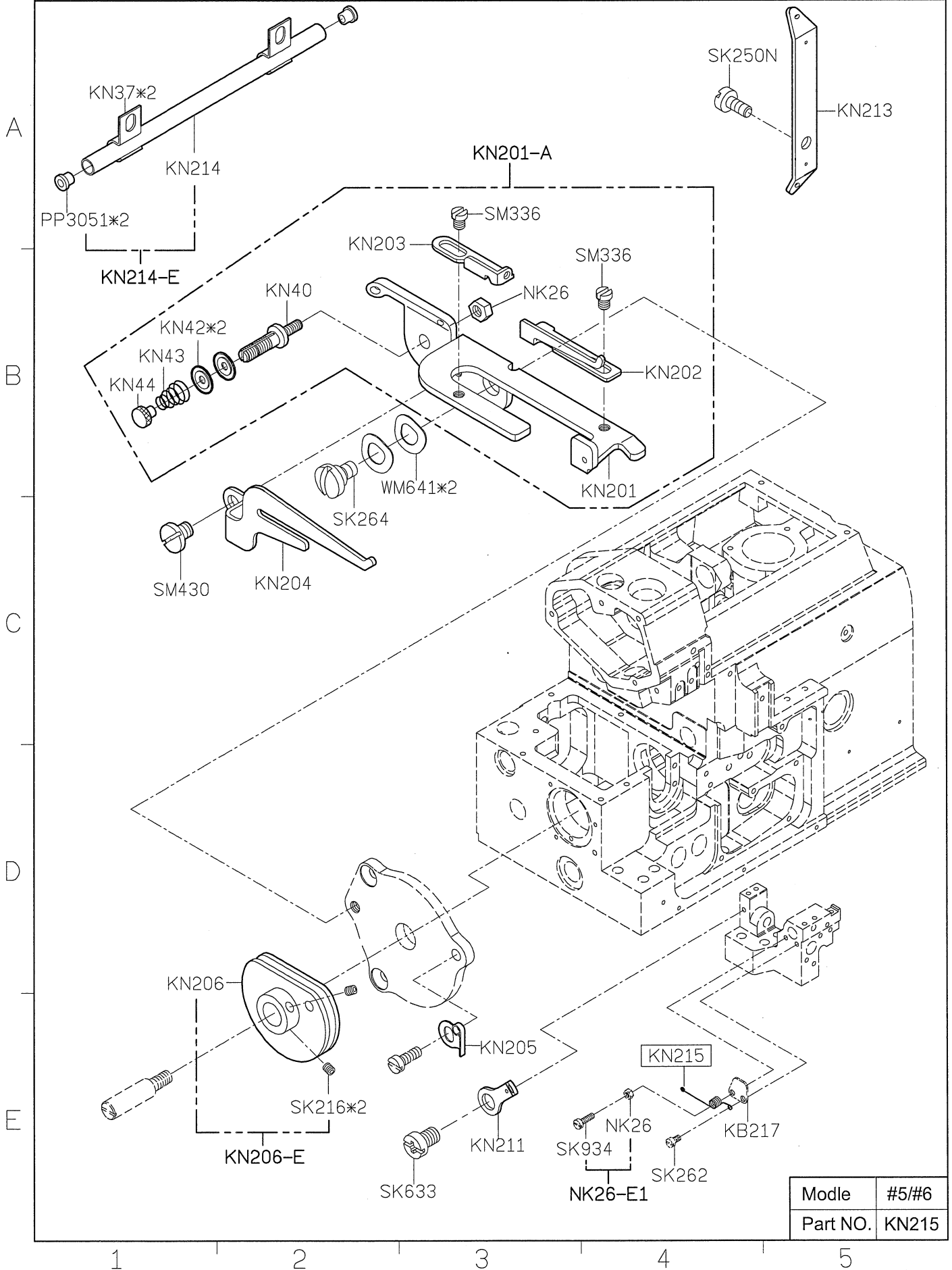
2

3

4

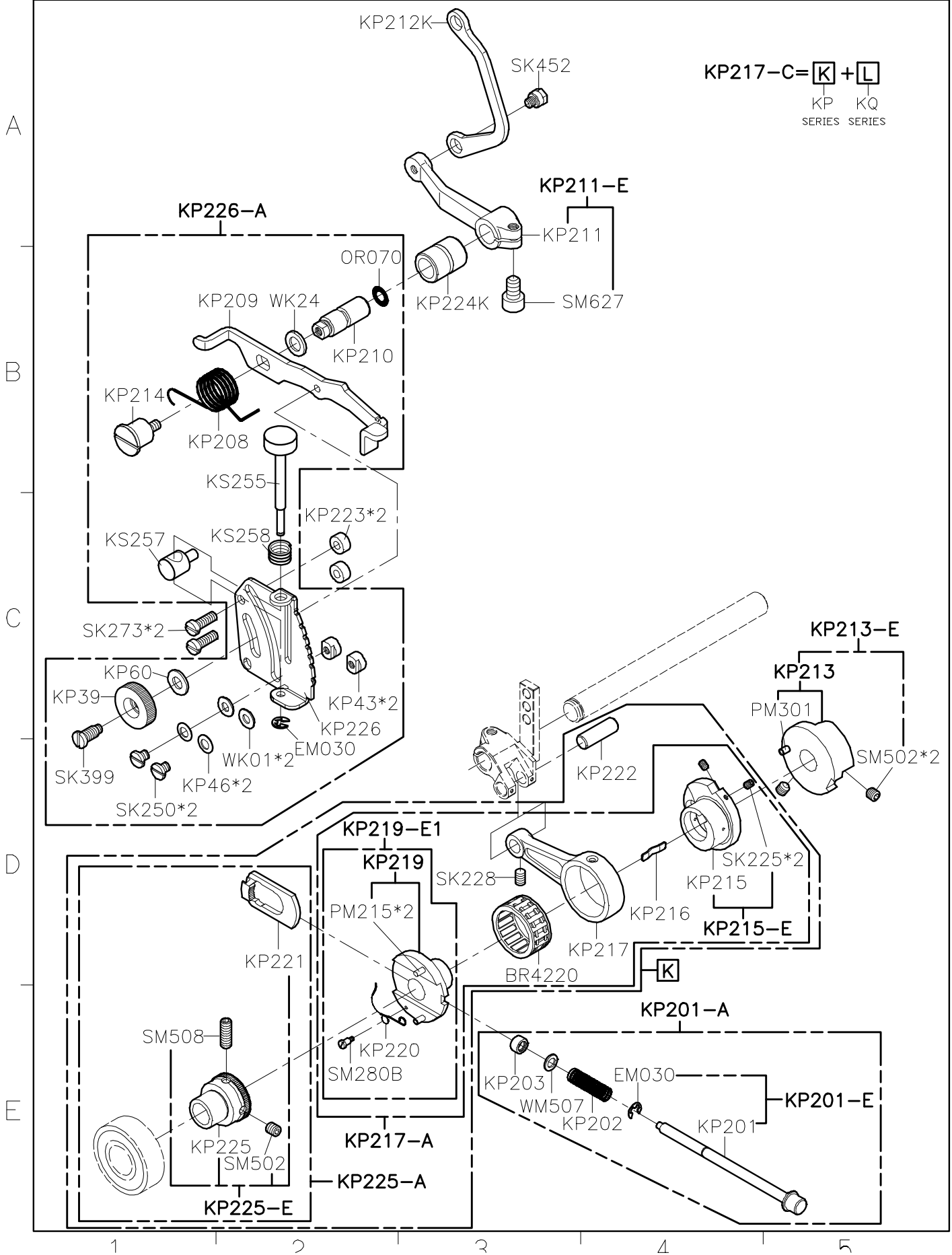
5

SIRUBA PARTS LIST	Series	Parts Group	Subclass / Remark	Page
	700LQ	KN		1/1
				Date
				2021/03/25



Modle	#5/#6
Part NO.	KN215

SIRUBA PARTS LIST	Series	Parts Group	Subclass / Remark	Page
	700LQ	KP		1/1
				Date
				2024/04/02

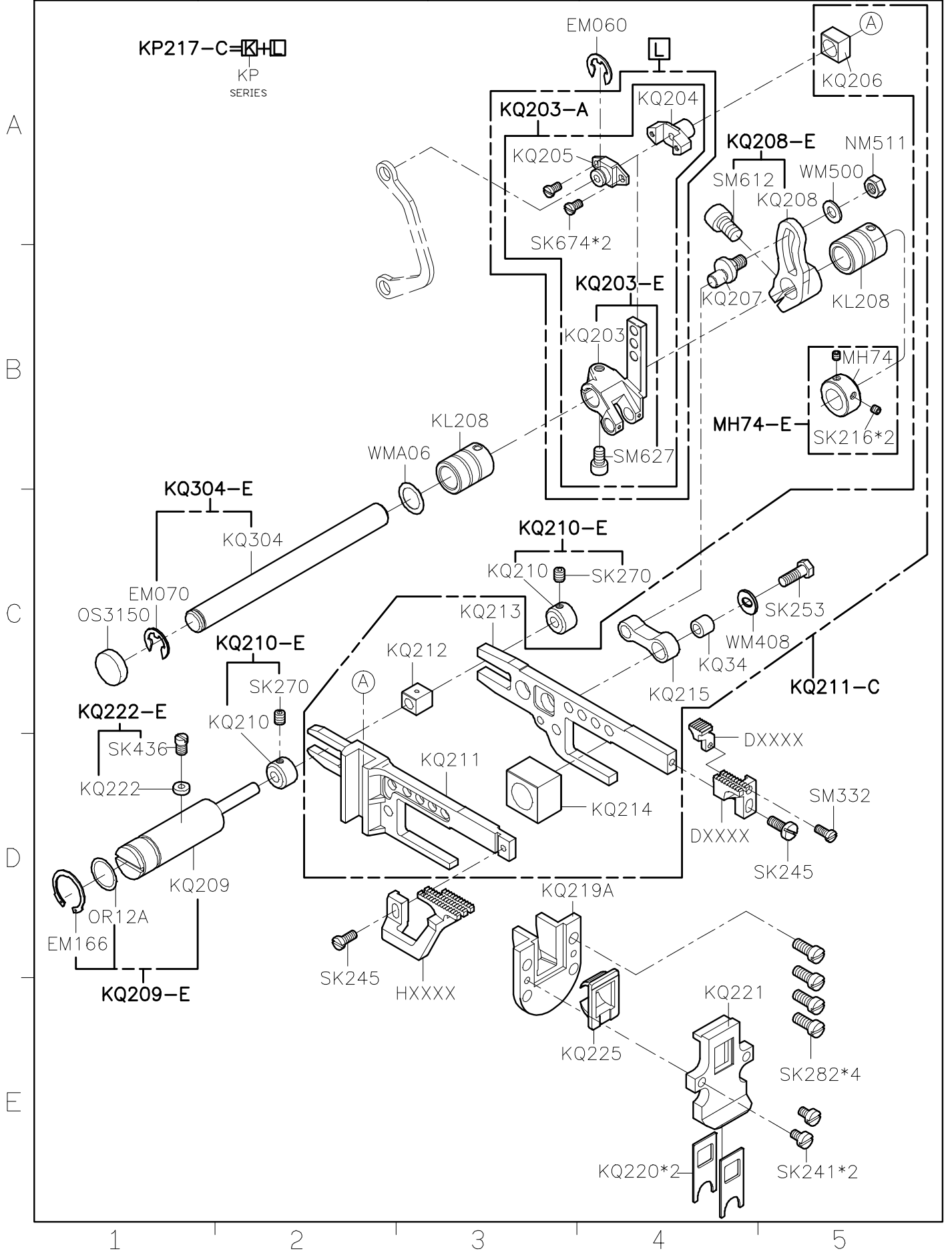


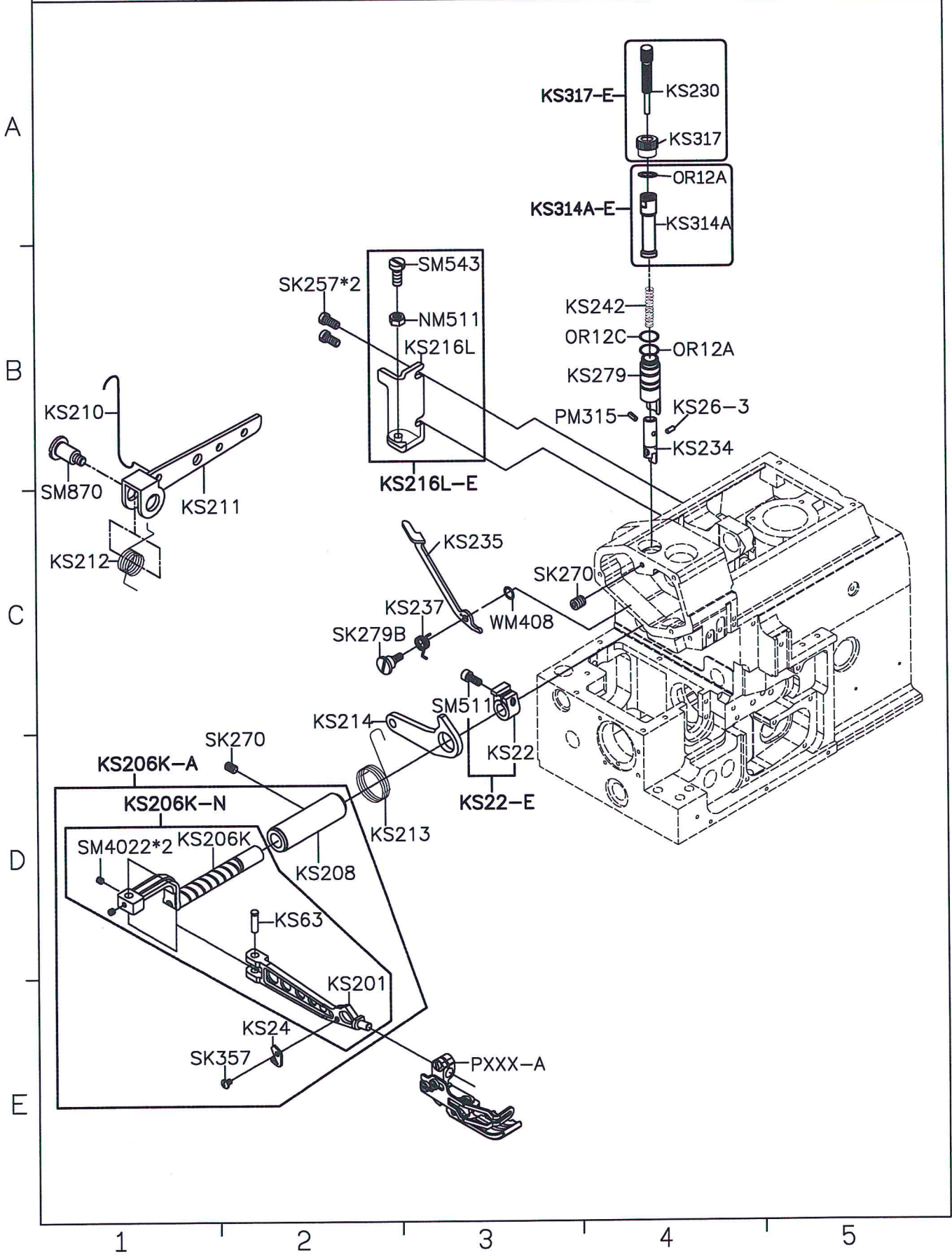
SIRUBA**PARTS LIST****Series****700LQ****Parts Group****KQ****Subclass / Remark****Page**

1/1

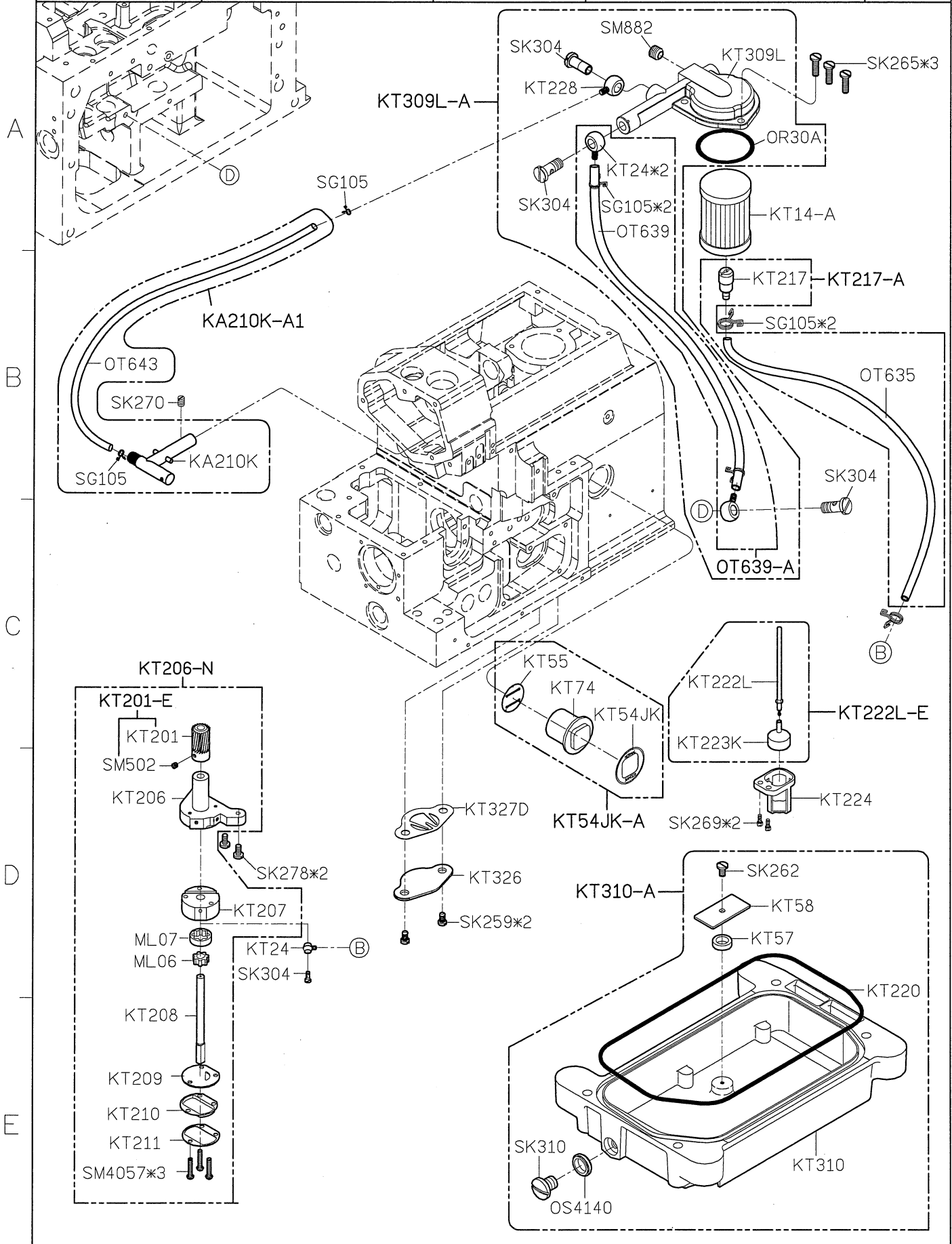
Date

2024/08/13





SIRUBA PARTS LIST	Series	Parts Group	Subclass / Remark	Page
	700LQ	KT		1/1
				Date
				2021/03/25



1

2

3

4

5

SIRUBA PARTS LIST	Series	Parts Group	Subclass / Remark	Page
	700LQ	KU		1/1
				Date
				2021/03/25

MODEL	#3/#4	#5/#6
PARTS NO	KU40	KU39
	KU220-4	KU220-5
	KU207	KU209
	KU206	KU211
	KU203-4	KU203-5
	SK277	SK437

KU60-A
(FOR 505F1-04)

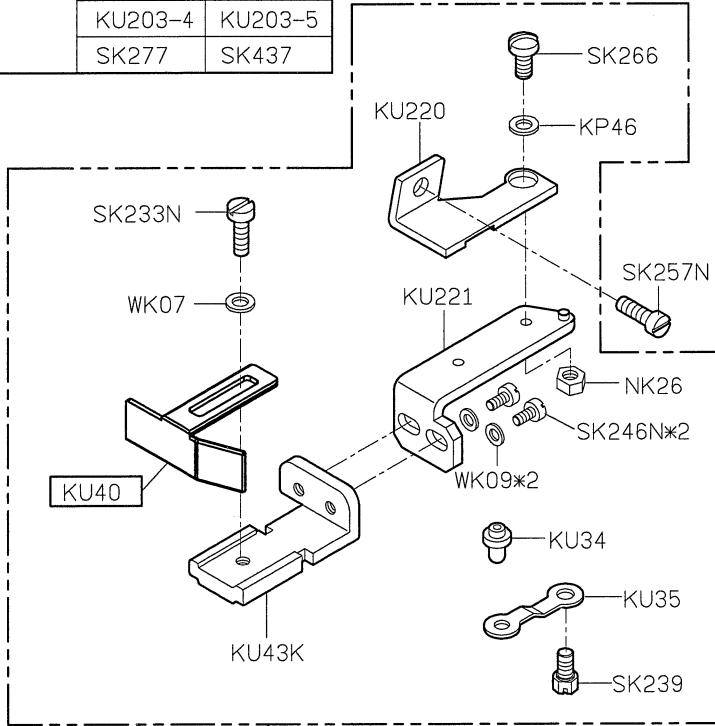
A

B

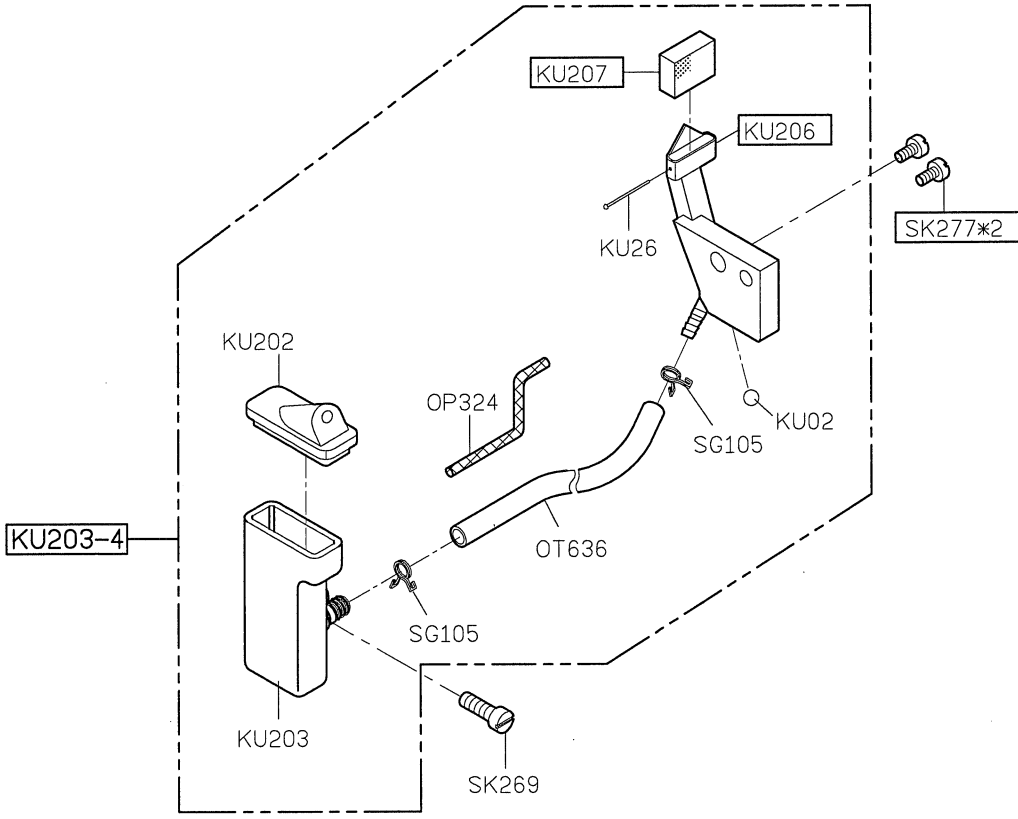
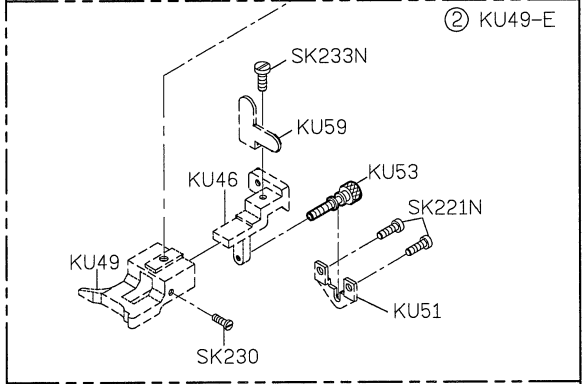
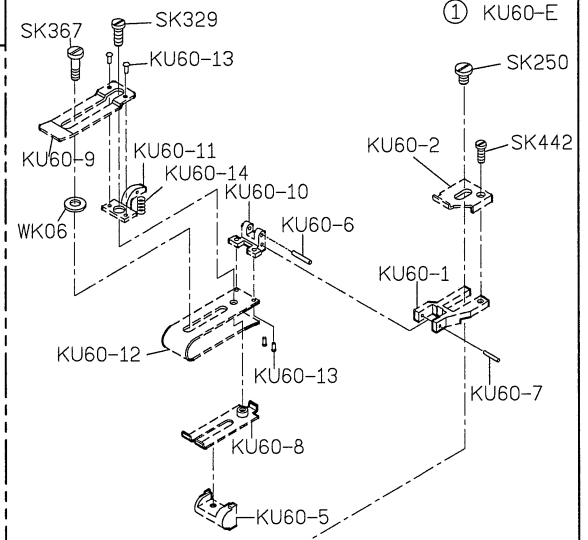
C

D

E



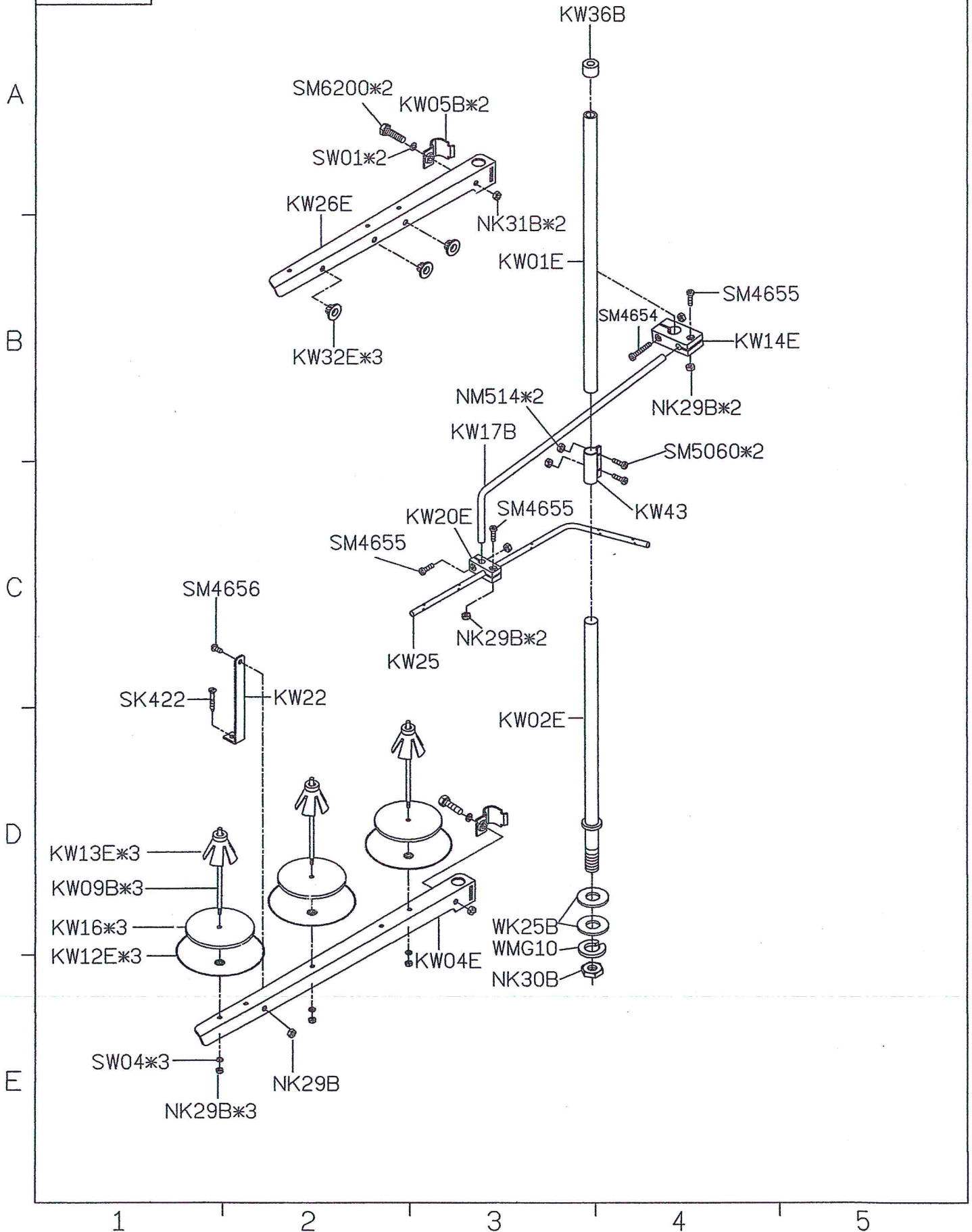
Option: **KU220-4**



1 2 3 4 5

SIRUBA PARTS LIST	Series	Parts Group	Subclass / Remark	Page
	拷克	KW		1/4
	Overlock			Date
	含MO6800系列			2022/07/11

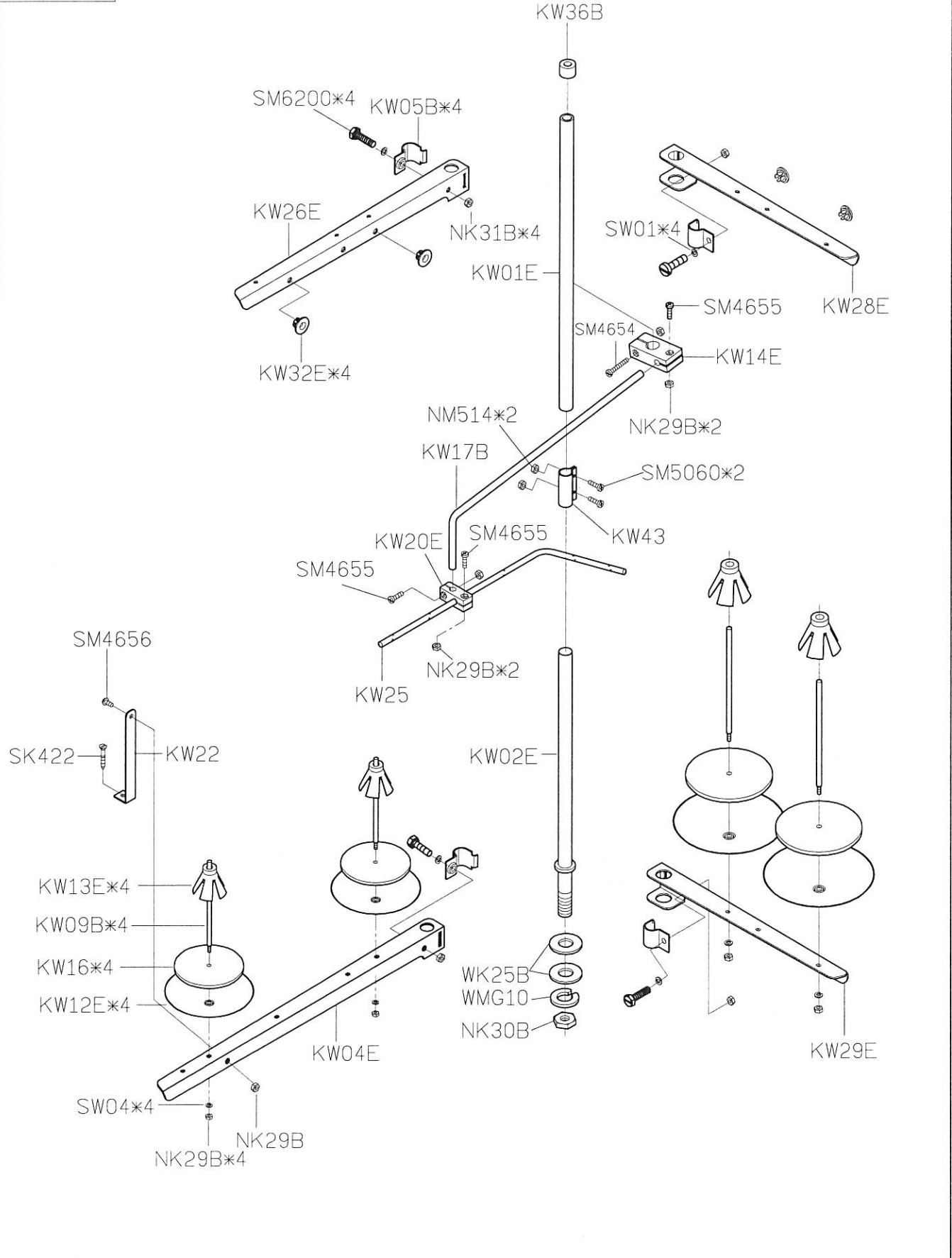
KW40E-3



SIRUBA PARTS LIST	Series	Parts Group	Subclass / Remark	Page
	拷克	KW		2/4
	Overlock			Date
	含MO6800系列			2022/07/11

KW40E-4

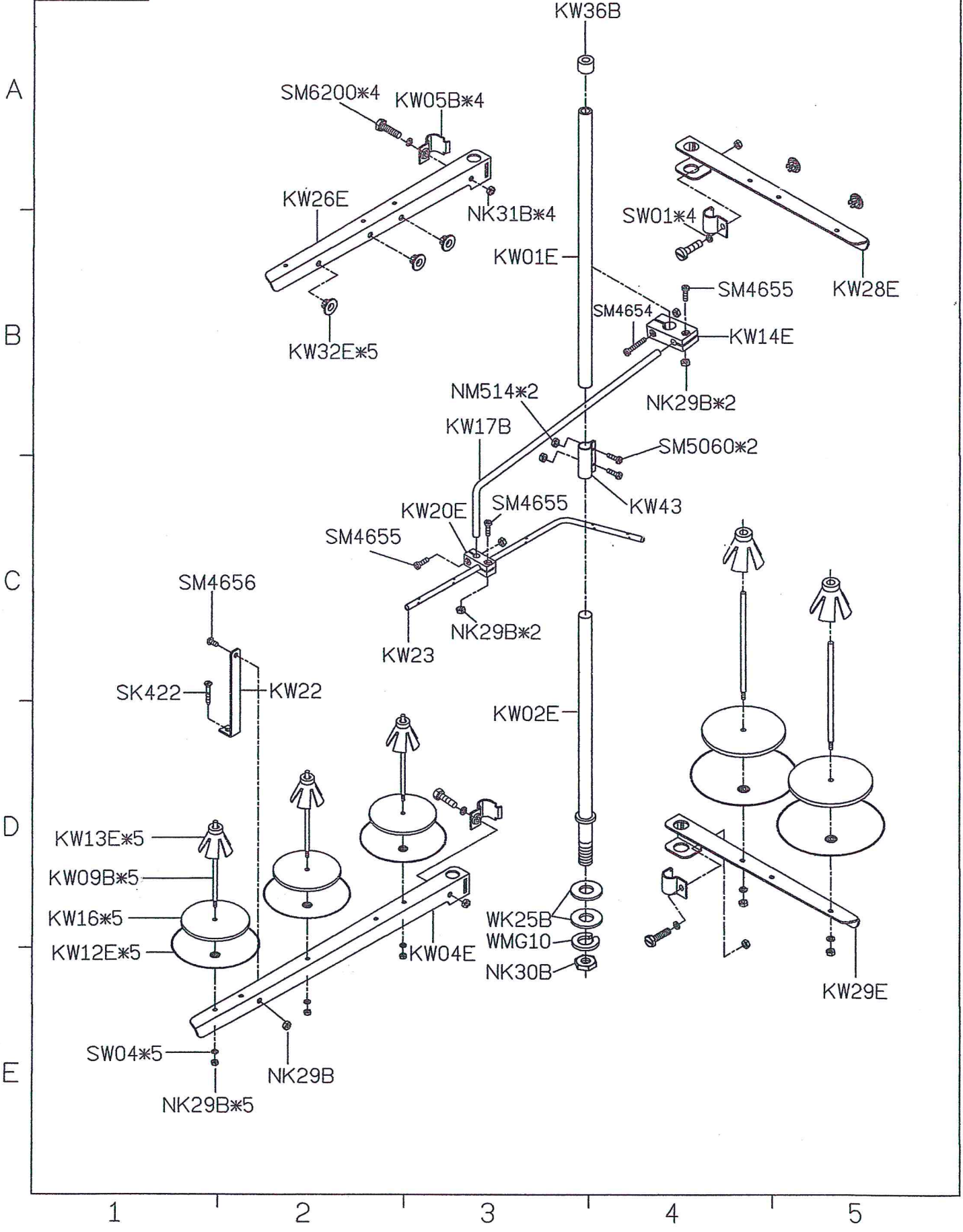
A
B
C
D
E



1 2 3 4 5

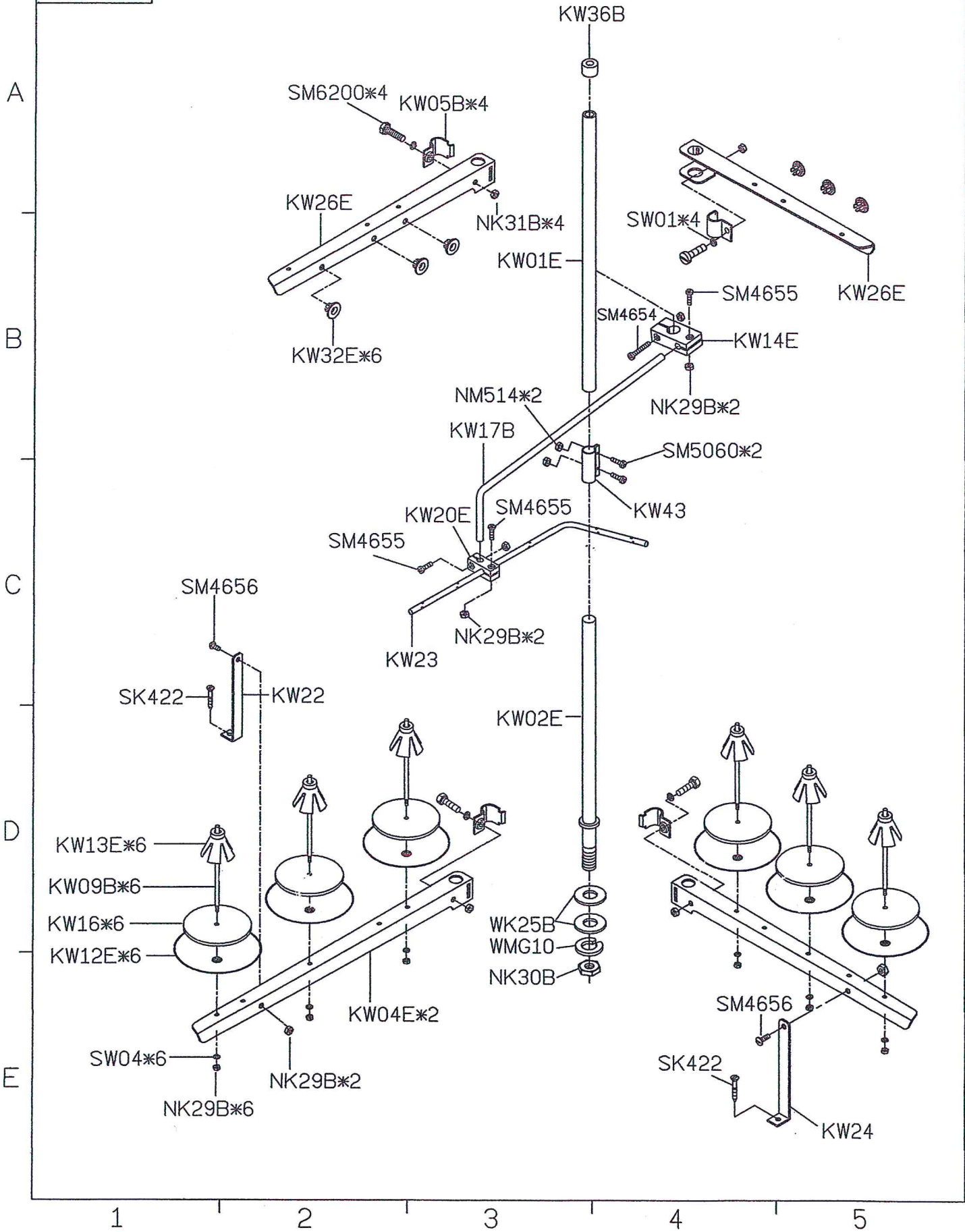
SIRUBA PARTS LIST	Series	Parts Group	Subclass / Remark	Page
	拷克	KW		3/4
	Overlock			Date
	含MO6800系列			2022/07/11

KW40E-5



SIRUBA PARTS LIST	Series	Parts Group	Subclass / Remark	Page
	拷克	KW		4/4
	Overlock			Date
	含MO6800系列			2022/07/11

KW40E-6



SIRUBA PARTS LIST	Series	Parts Group	Subclass Remark	Page
	700LQ	KX		1/1
				Date
				2021/03/25

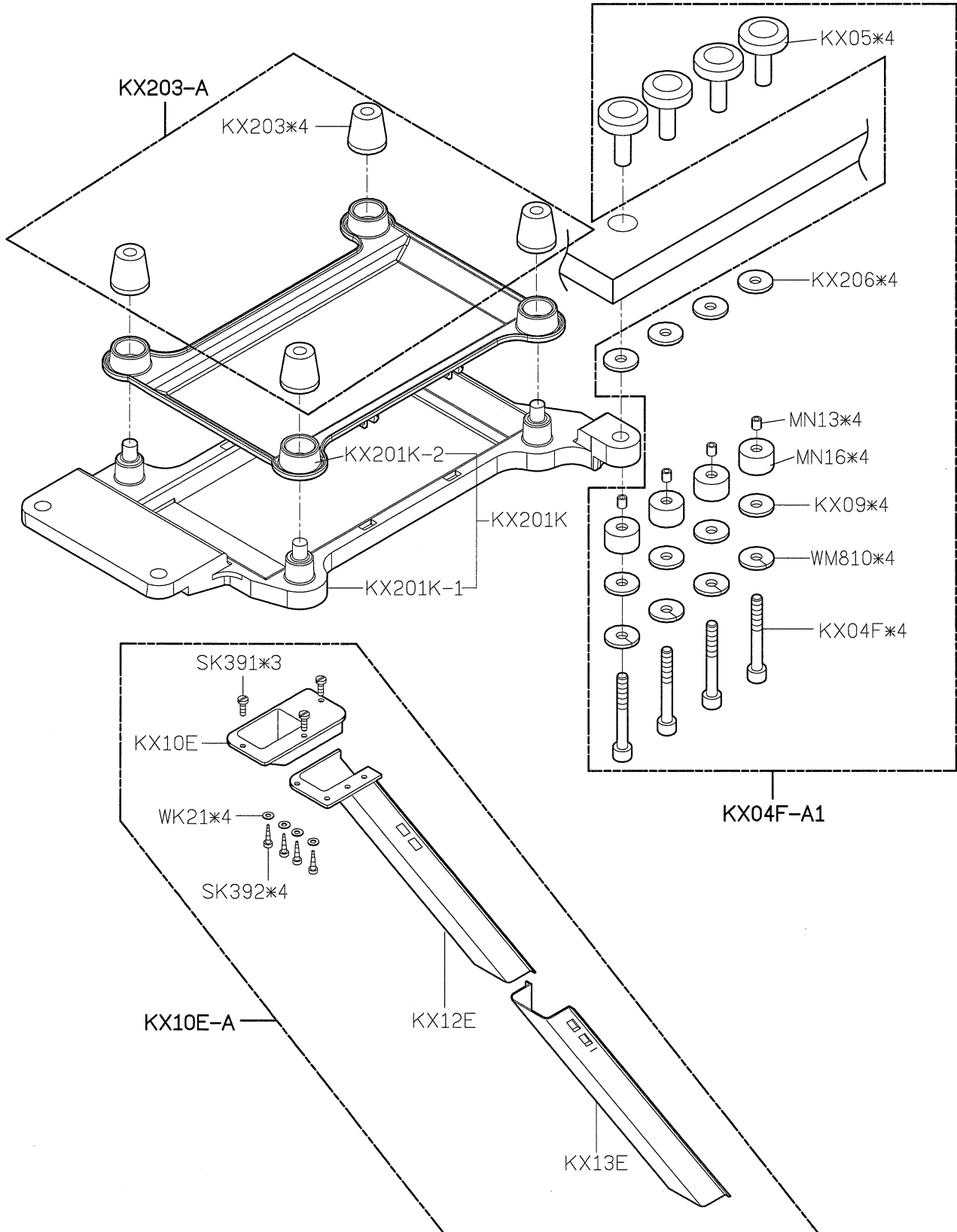
A

B

C

D

E



1

2

3

4

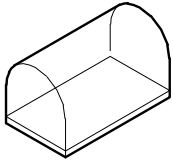
5

SIRUBA PARTS LIST	Series	Parts Group	Subclass Remark	Page
	700LQ	KY		1/1
				Date
				2022/06/23

A

KY01-1

防塵罩



KY203-A

油罐



KY03

油壺



KY04

漏斗



SK216

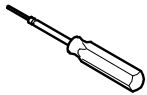
螺絲



B

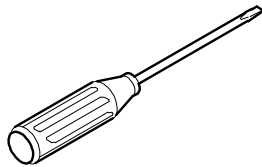
KY14

內六角螺絲起子



LY33

一字起子



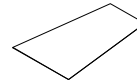
KY18

鑷子



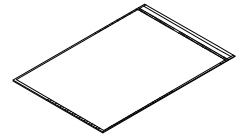
KY30

針板紙



KY201JK

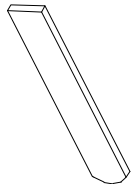
工具袋



C

KR35

下刀片



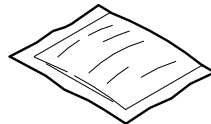
KT14-A

濾油器



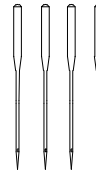
KZ03

乾燥濟



針*4

車針



KY21-A/MY21-A

鉤子/鍊條



D

E

1

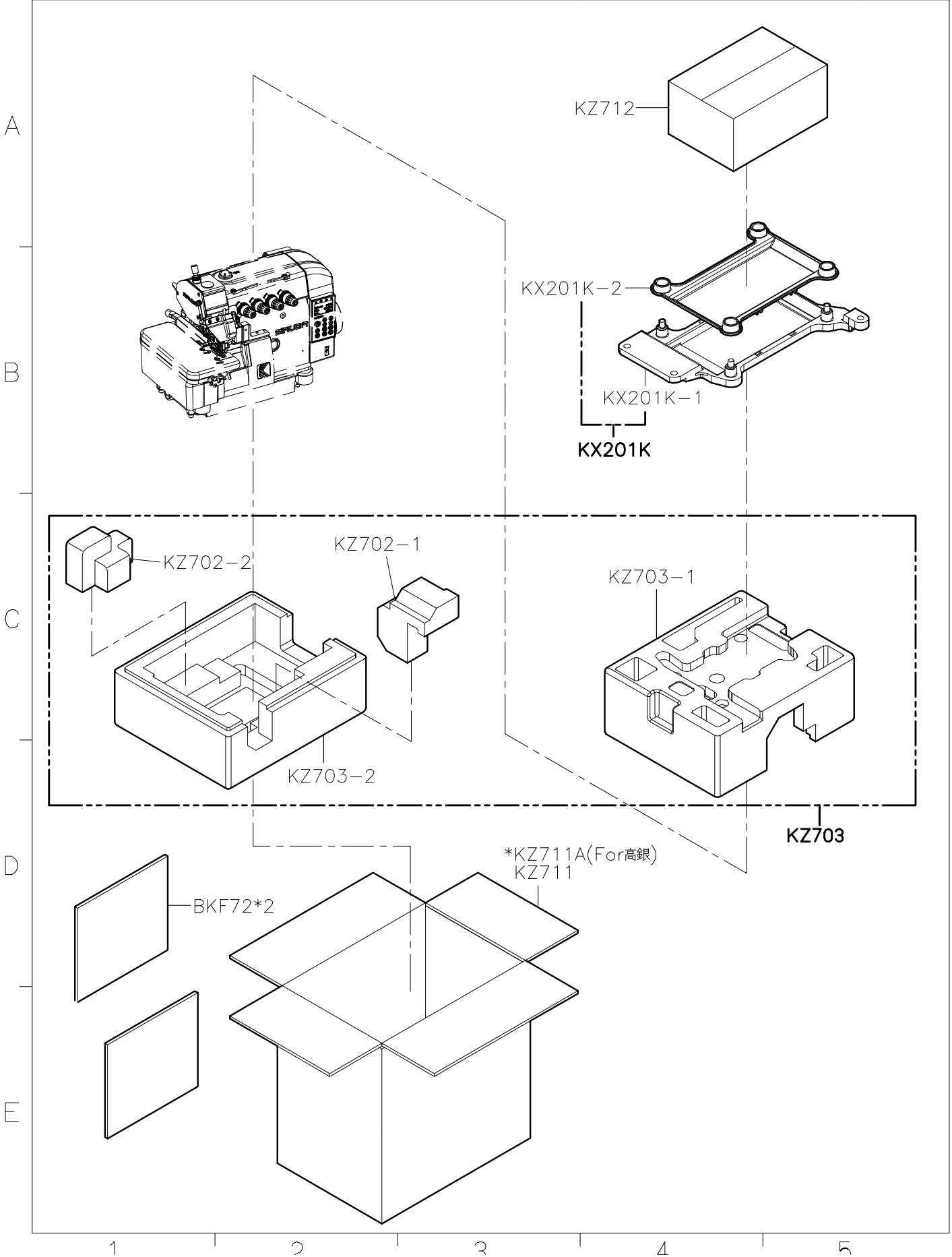
2

3

4

5

SIRUBA PARTS LIST	Series	Parts Group	Subclass / Remark	Page
	700LQ	KZ		1/1
				Date
				2022/06/10



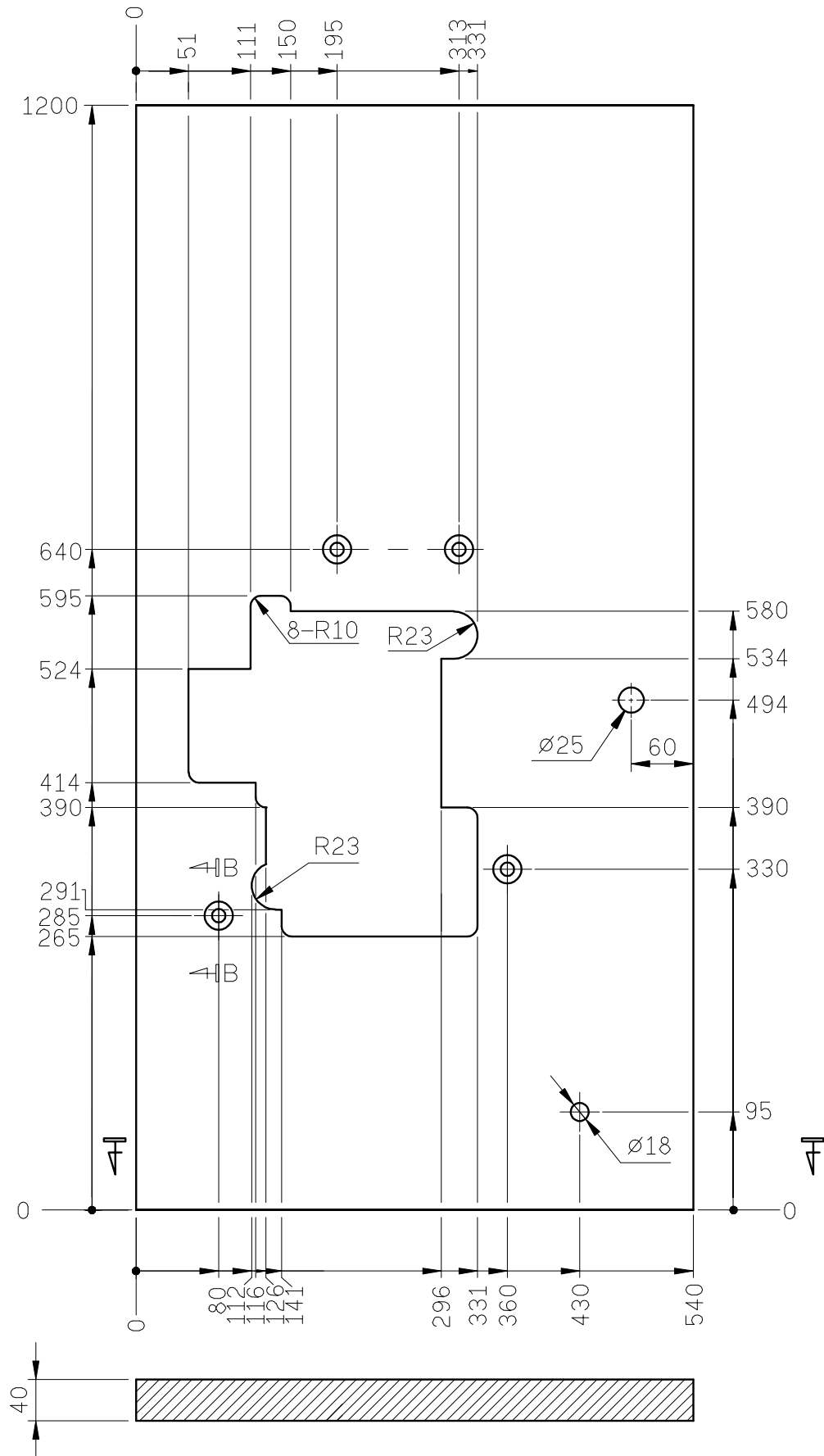
SIRUBA
TABLE
CUT - OUT

Series
700LQ
700LQT

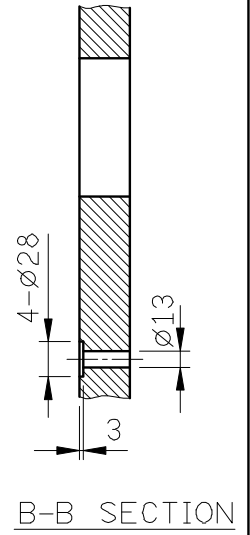
Item Code
700LQ-T

Subclass Remark

Mounting
Semi-submerged
Date
2023/08/18



單位 / UNIT: mm
所有尺寸公差 / TOLERANCE: ± 2
重量 (W): $11.5 \text{ kg} \pm 5\%$



SIRUBA
TABLE
CUT - OUT

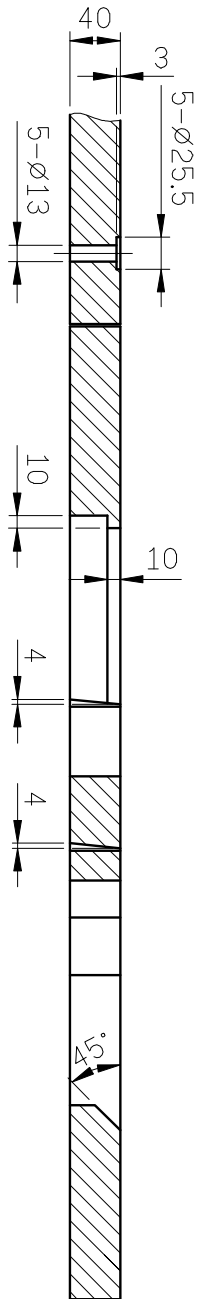
Series
700LQ
700LQT

Item Code
700LQ-T2

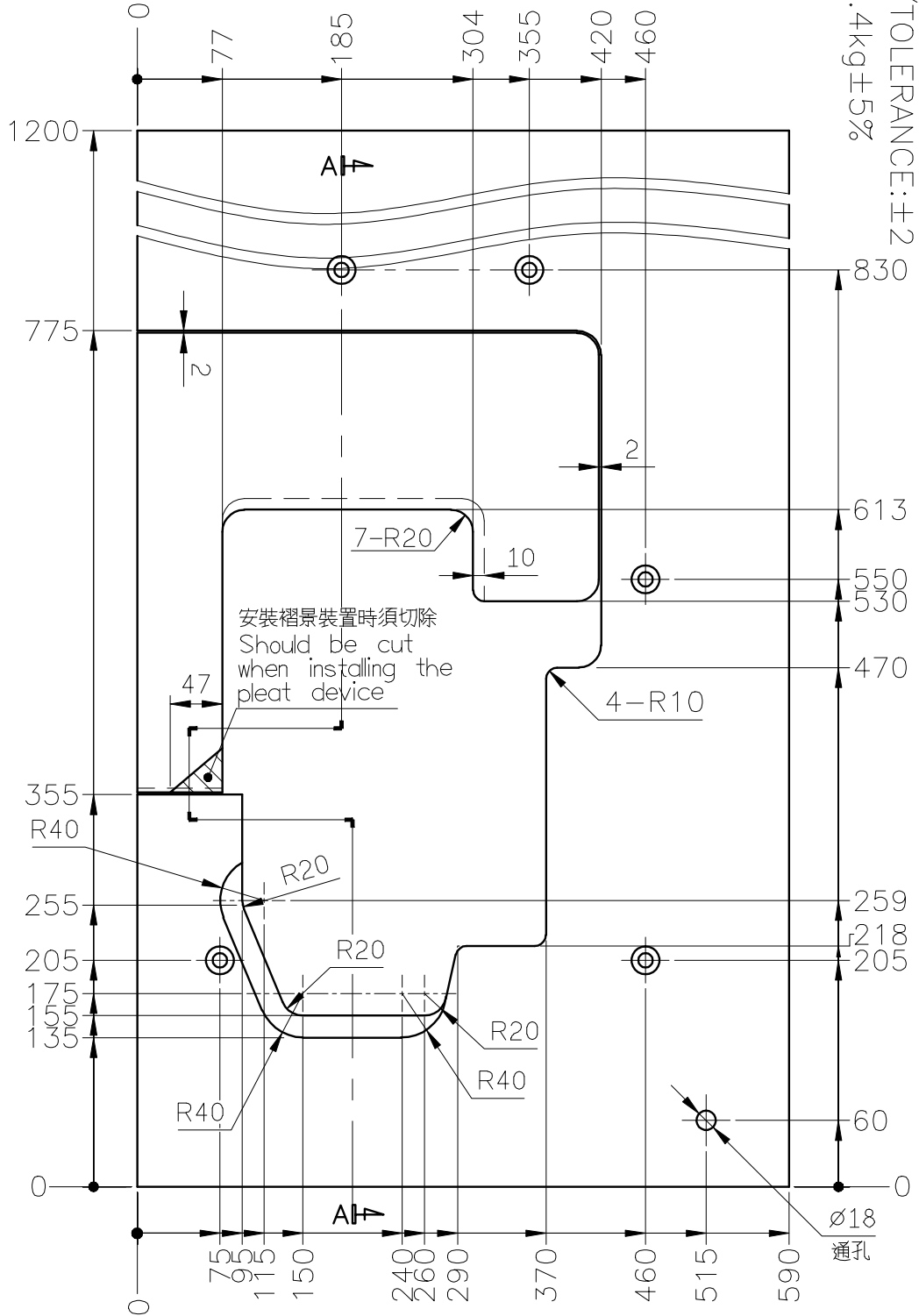
Subclass Remark
需配TBK-1 (包含TB201)
Collocate With TBK-1
(Including TB201)

Mounting
Fully-submerged
Date
2023/08/23

單位 / UNIT: mm
所有尺寸公差 / TOLERANCE: ±2
重量 (W): 12.4kg ±5%



A-A SECTION



SIRUBATABLE
CUT - OUT

Series

700K/988

700L

Item Code

TB201

Subclass Remark

Mounting

Fully-submerged
Fixed Table

Date

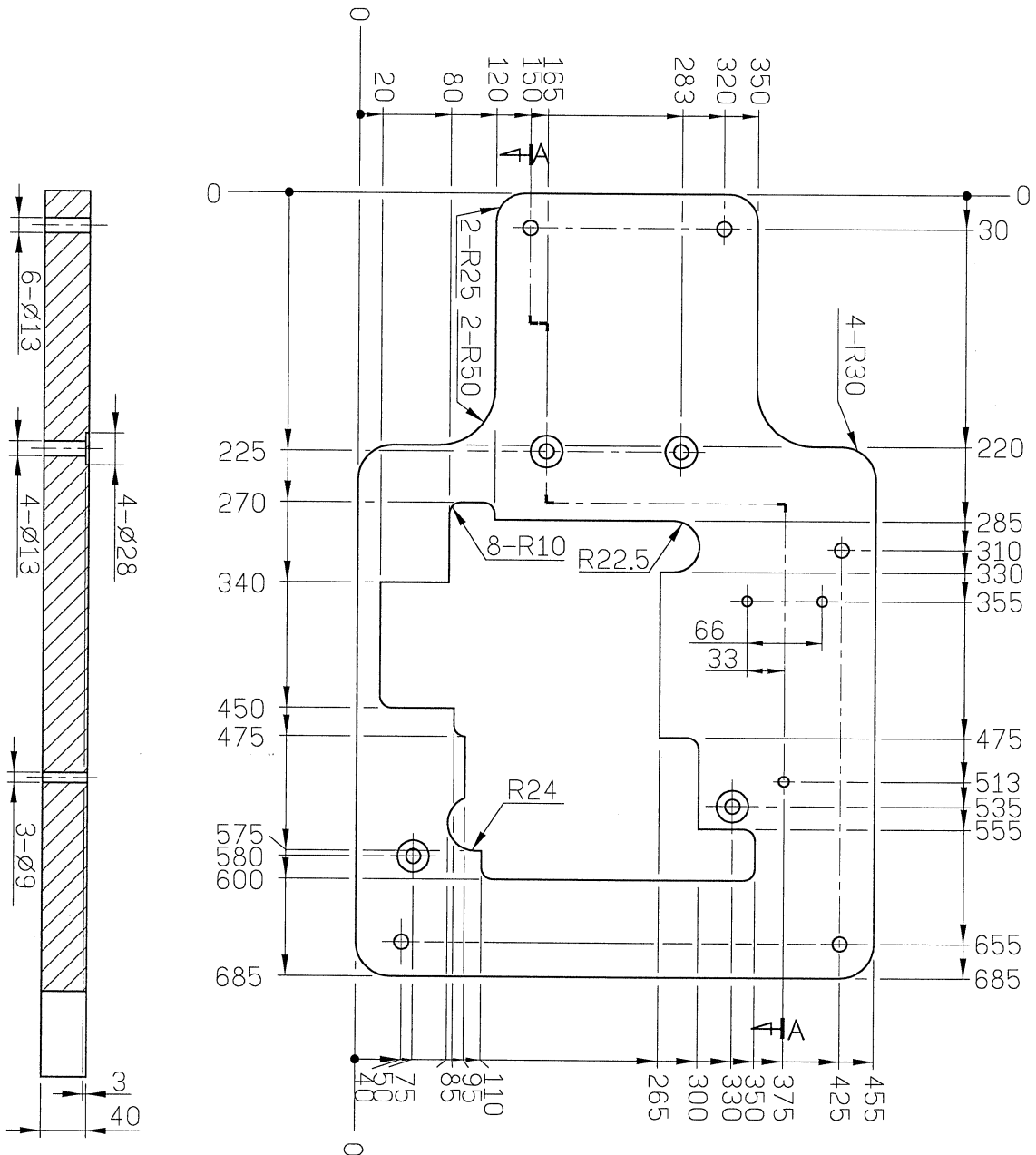
2018/08/28

單位/UNIT:mm

所有尺寸公差/DIFFERENCE:±2

重量(W):4.25kg±5%

全封邊灰格紋光塑面台板/Plastic Table With All Sides Sealed With Gray Plaid

A-A SECTION