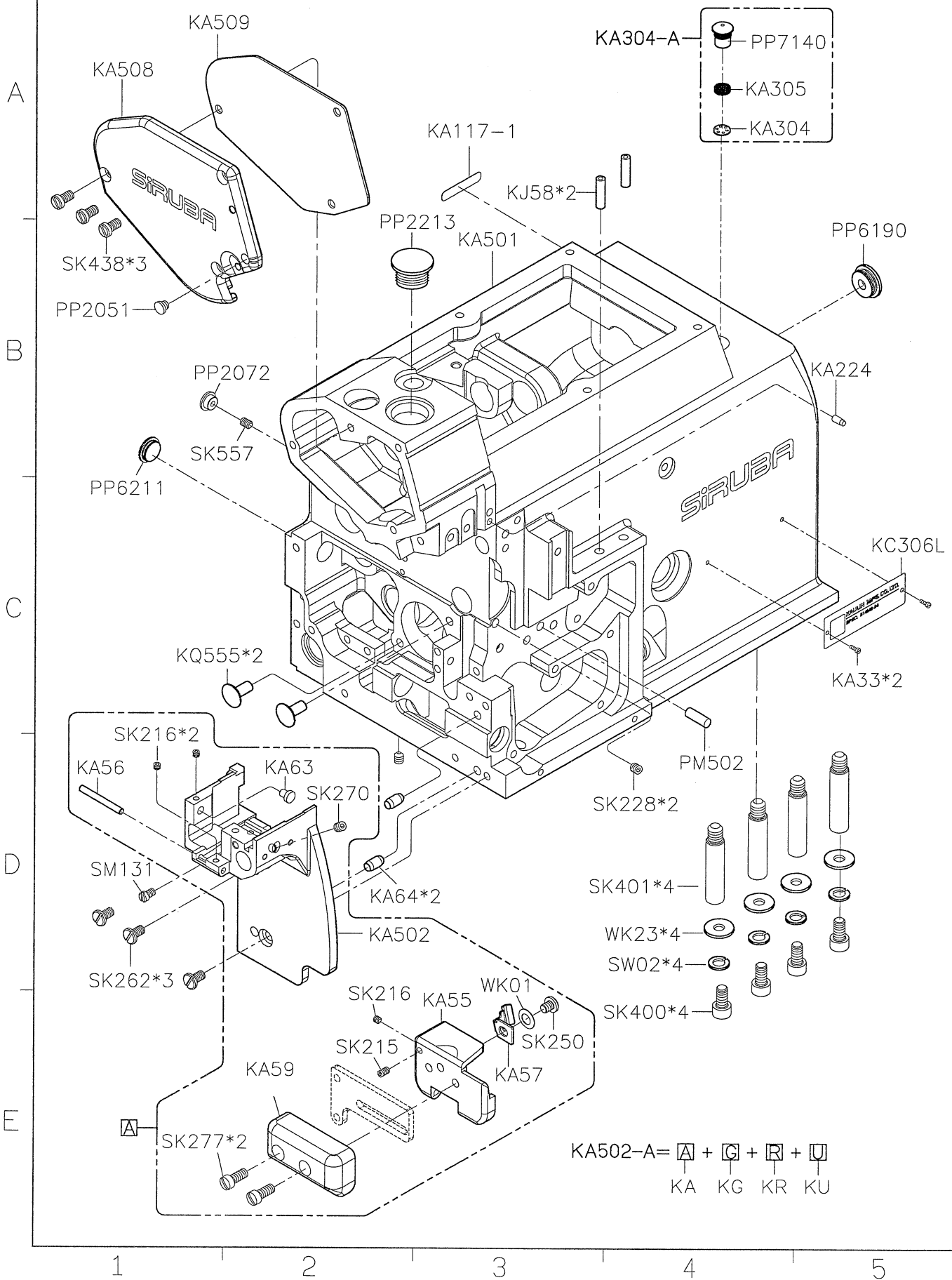


SIRUBA PARTS LIST	Series	Parts Group	Subclass / Remark	Page
	700KST	KA		1/1
				Date
				2017/2/9



SIRUBA

PARTS LIST

Series

700KST

Parts Group

KB

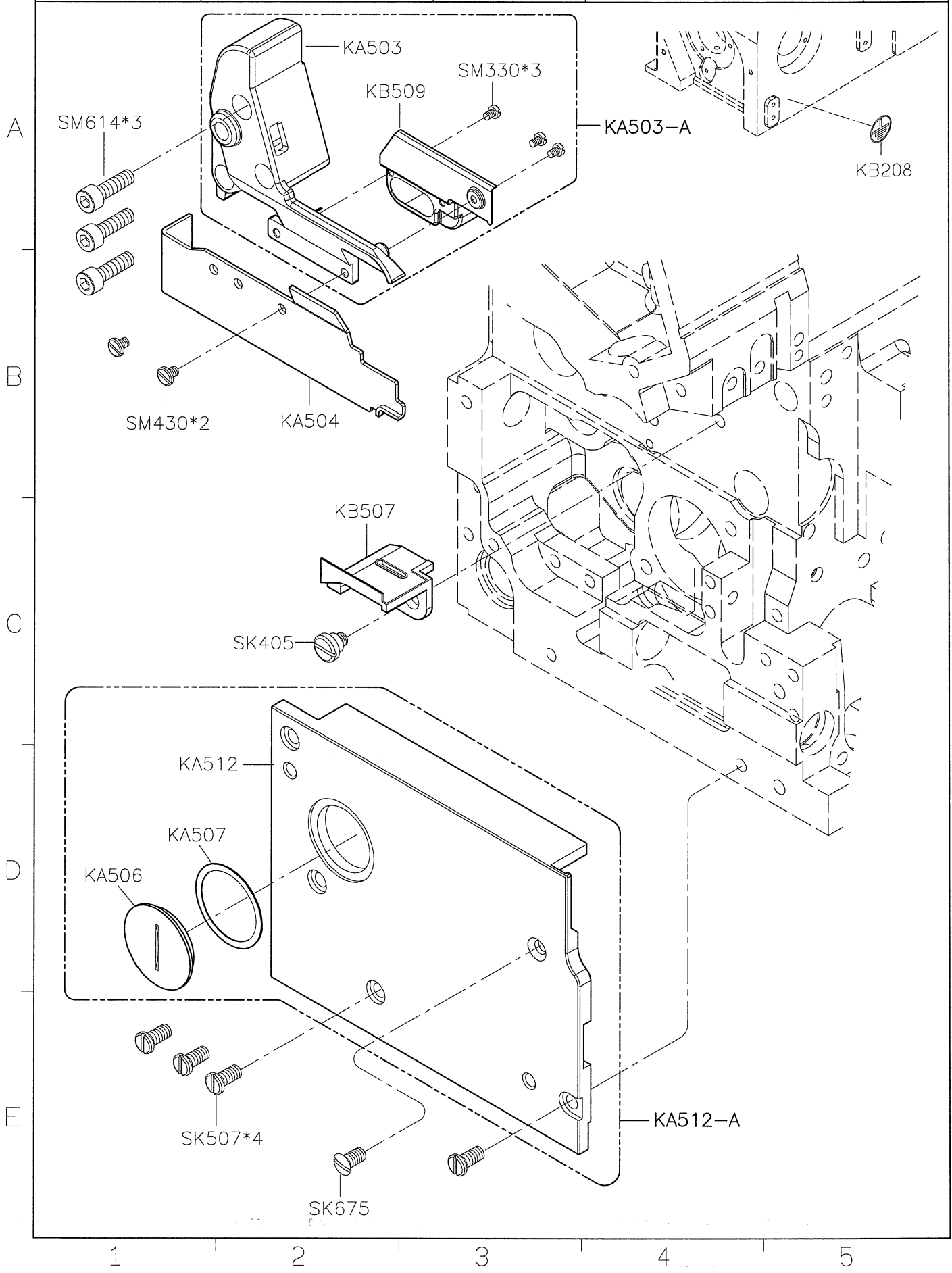
Subclass / Remark

Page

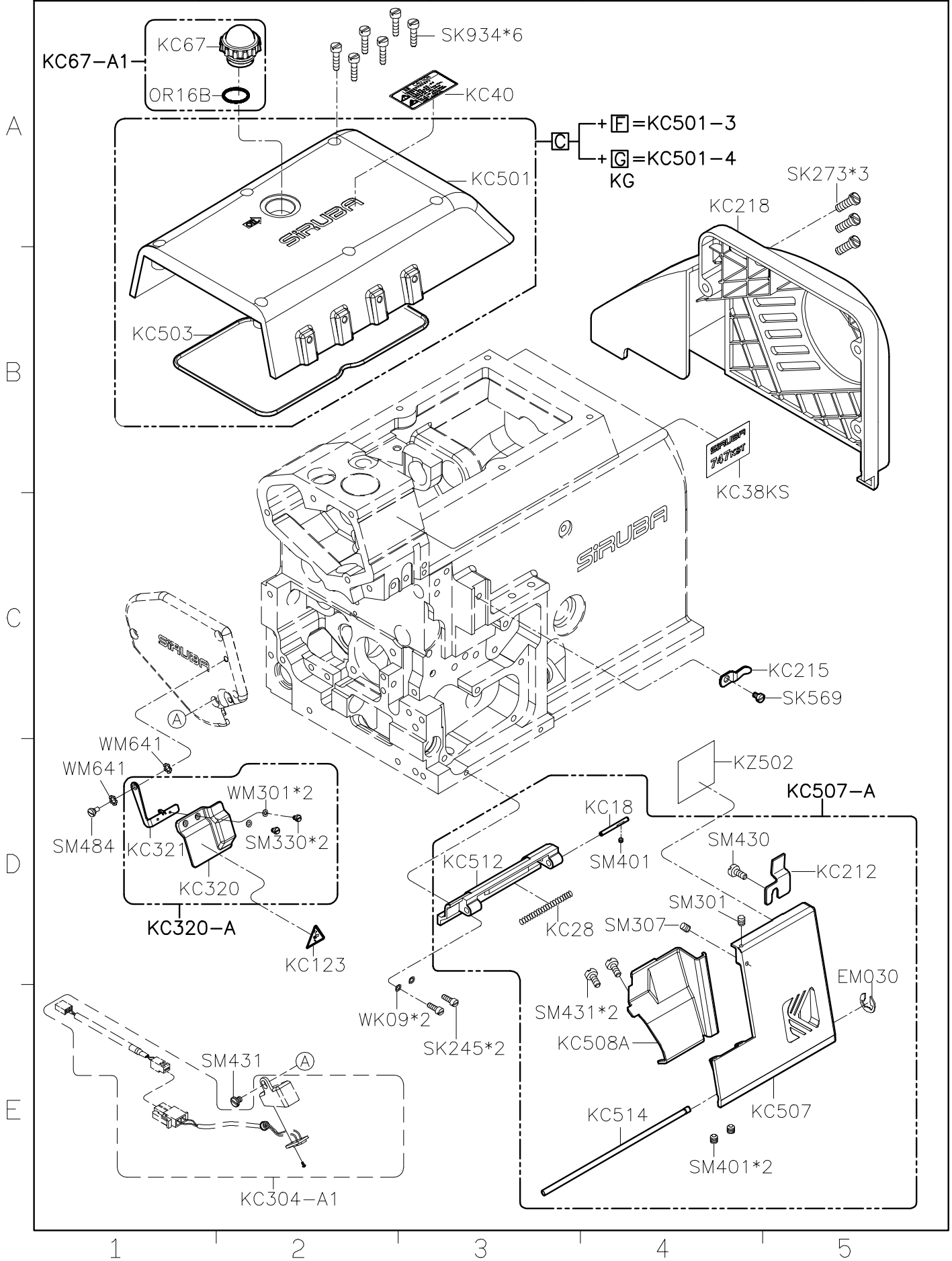
1/1

Date

2018/07/05



SIRUBA PARTS LIST	Series	Parts Group	Subclass / Remark	Page
	700KST	KC		1/1
				Date
				2022/12/01



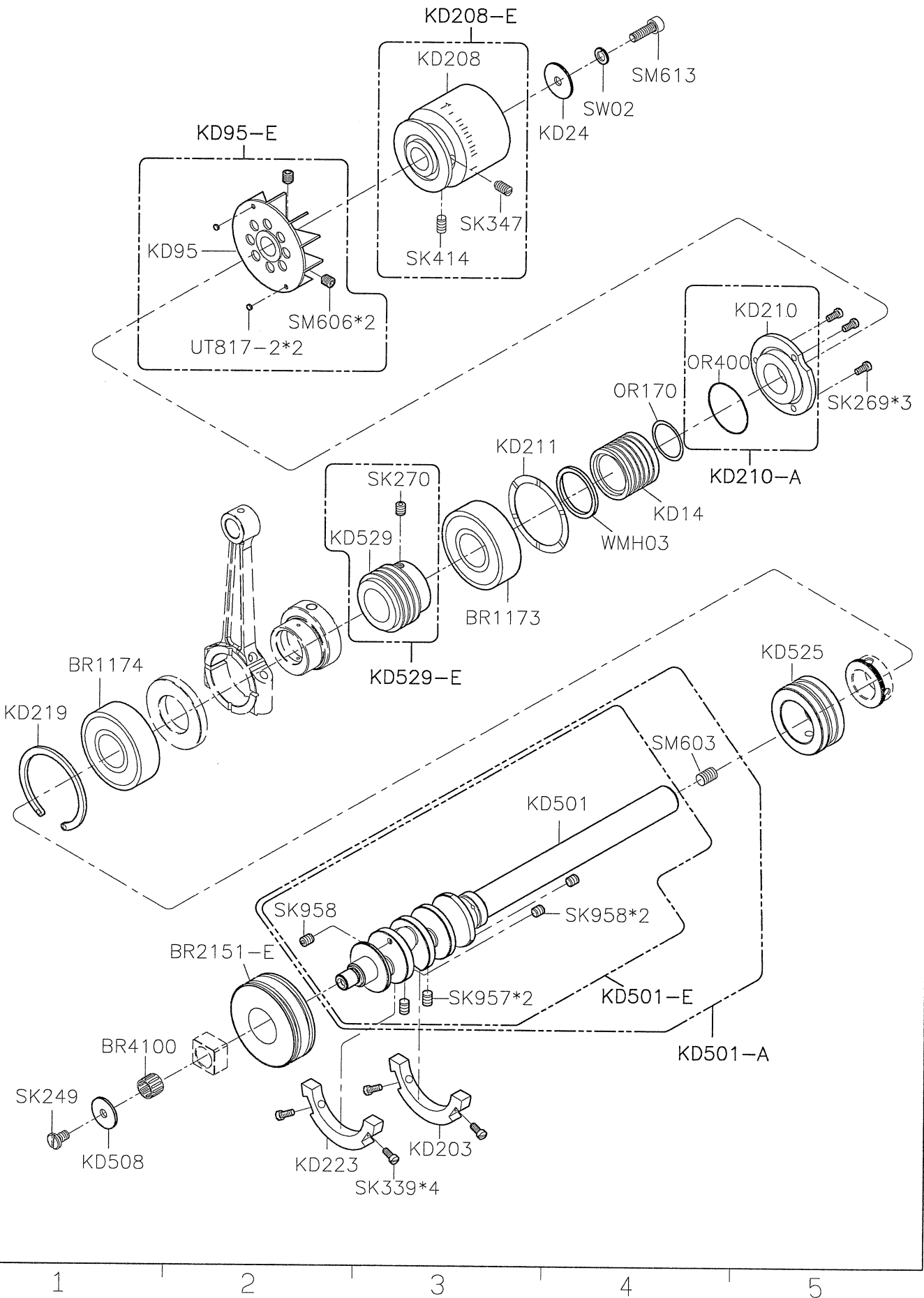
A

B

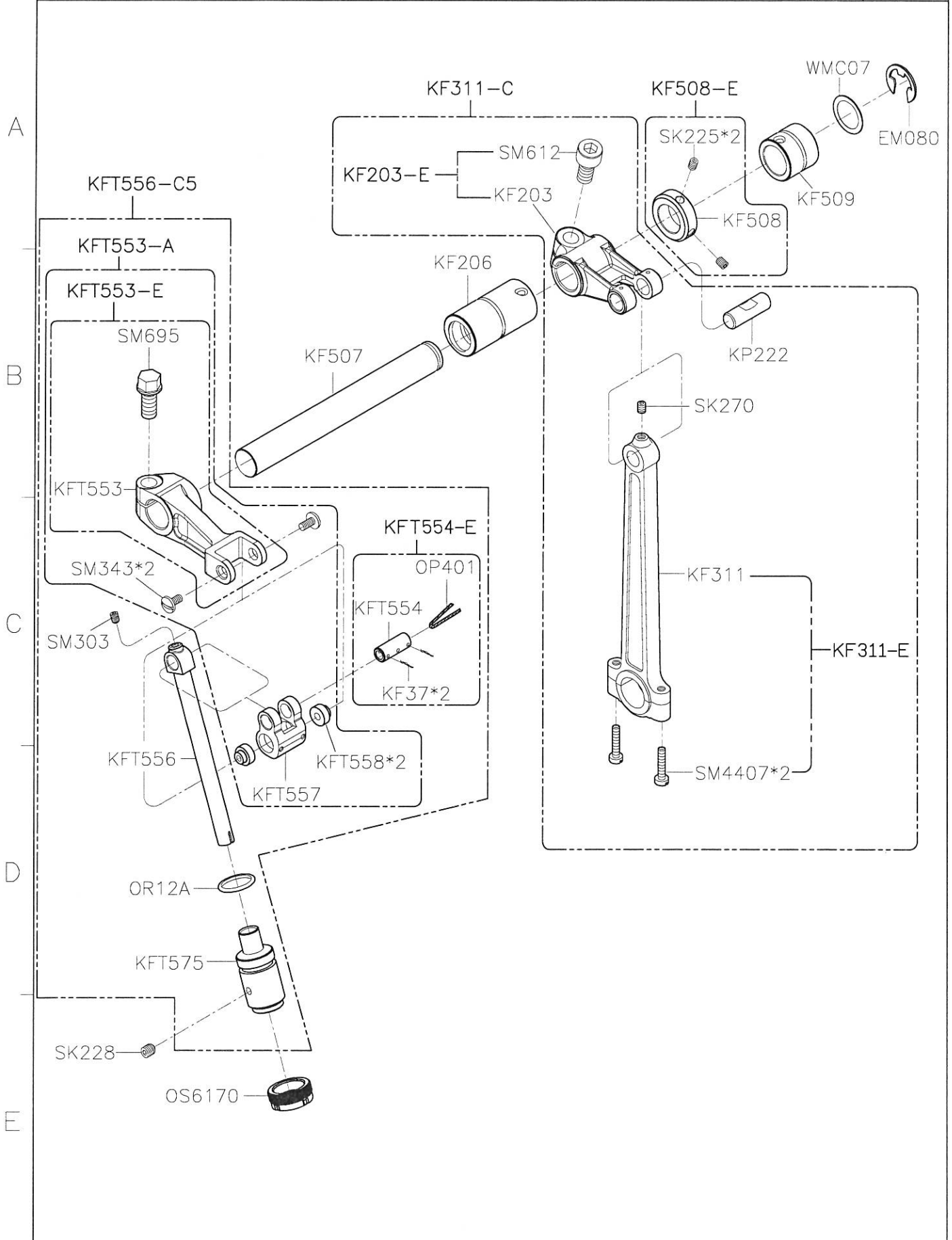
C

D

E



SIRUBA PARTS LIST	Series	Parts Group	Subclass / Remark	Page
	700KST	KF		1/1
				Date
				2023/08/03

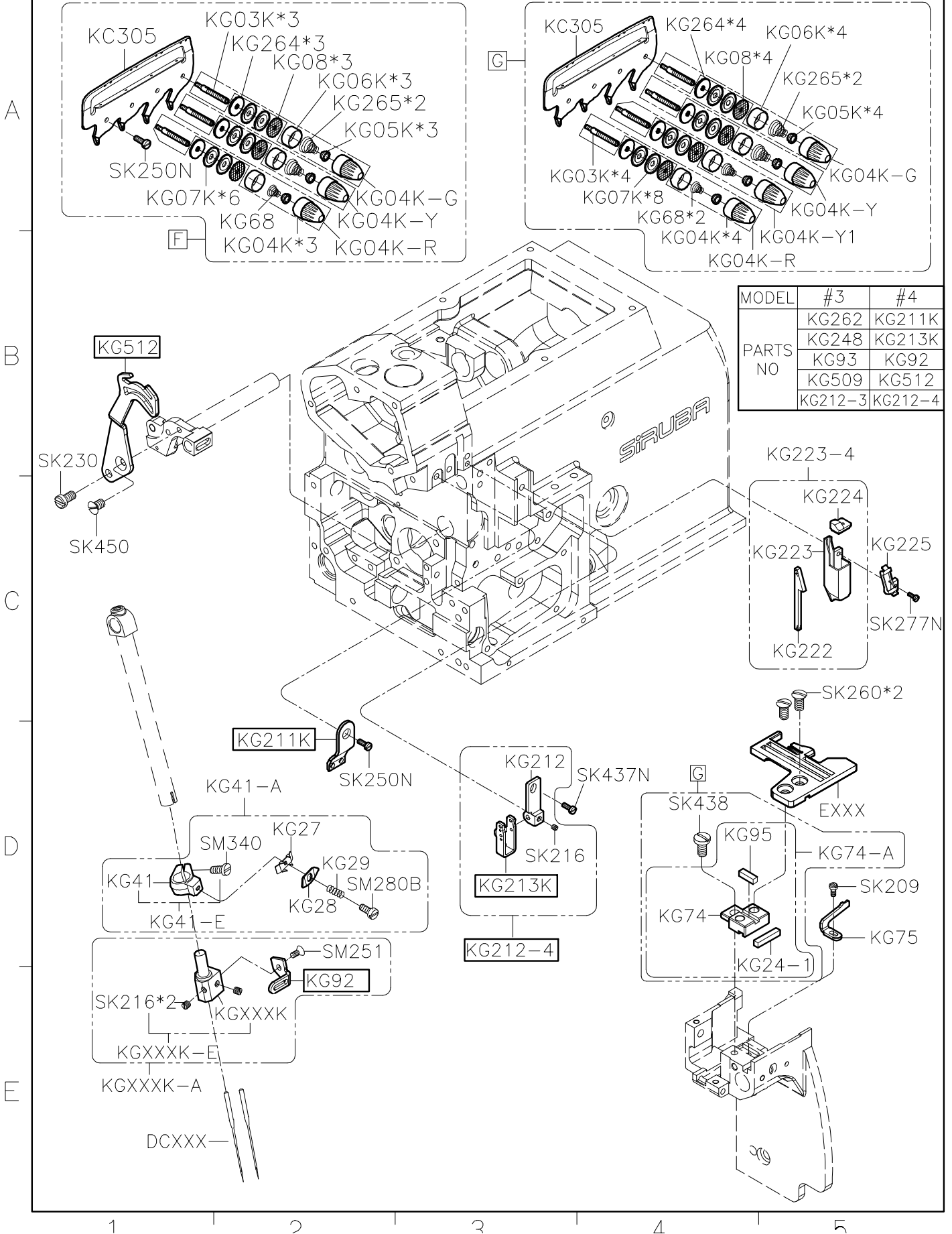


SIRUBA**PARTS LIST****Series****700KST****Parts Group****KG****Subclass / Remark****Page**

1/1

Date

2019/04/19



1

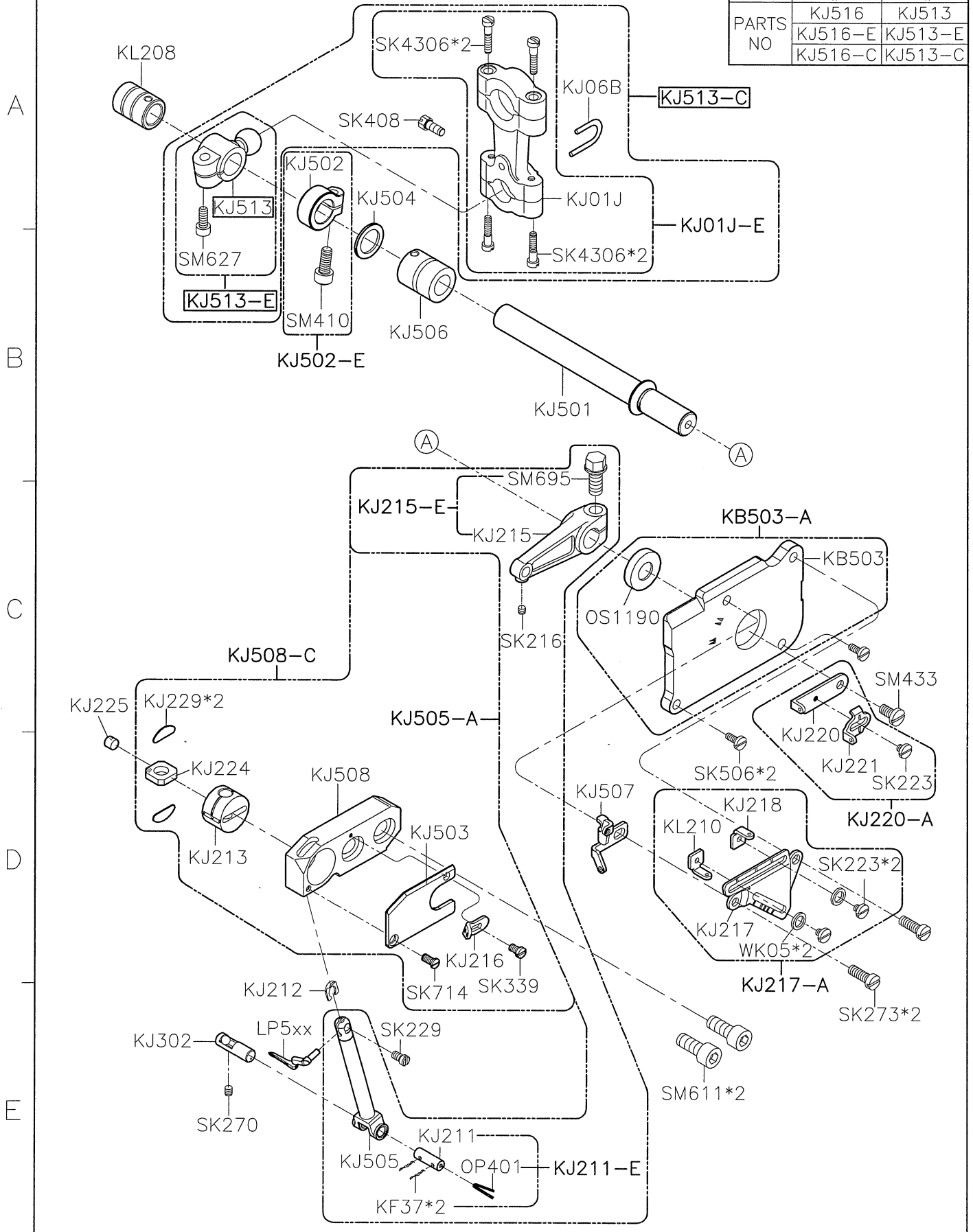
2

3

4

5

MODEL	#3	#4
PARTS NO	KJ516	KJ513
	KJ516-E	KJ513-E
	KJ516-C	KJ513-C



MODEL	#3	#4
PARTS NO	KL502A KL514-A1	KL502 KL514-A

A

SK441

SW03

KL17

KL508

KL208

WMA06

KL505-C

SK4306*2

SK408

KJ06B

KJ01J

SK4306*2

KJ01J-E

KL505

KL505-E

SM627

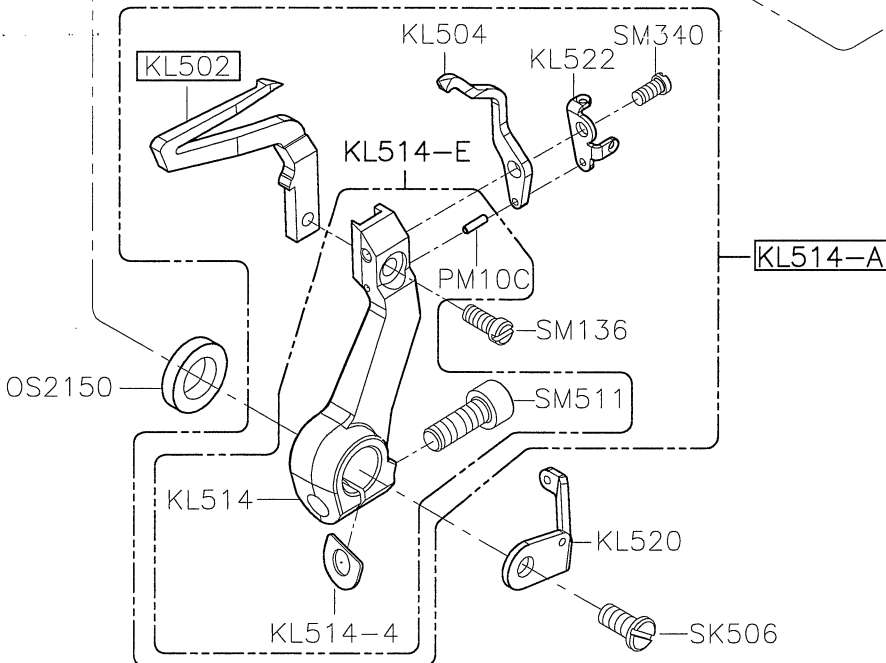
KL523

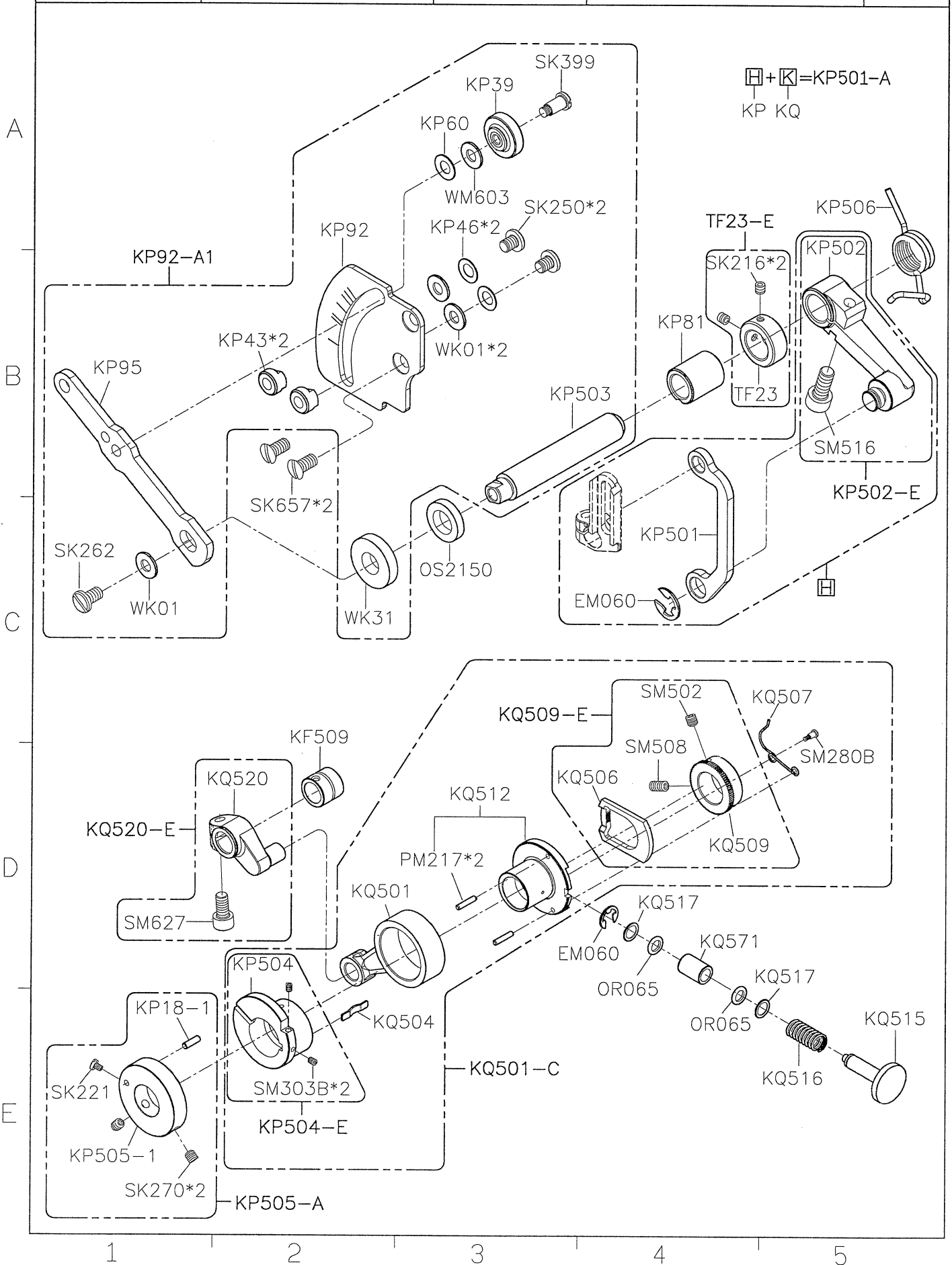
B

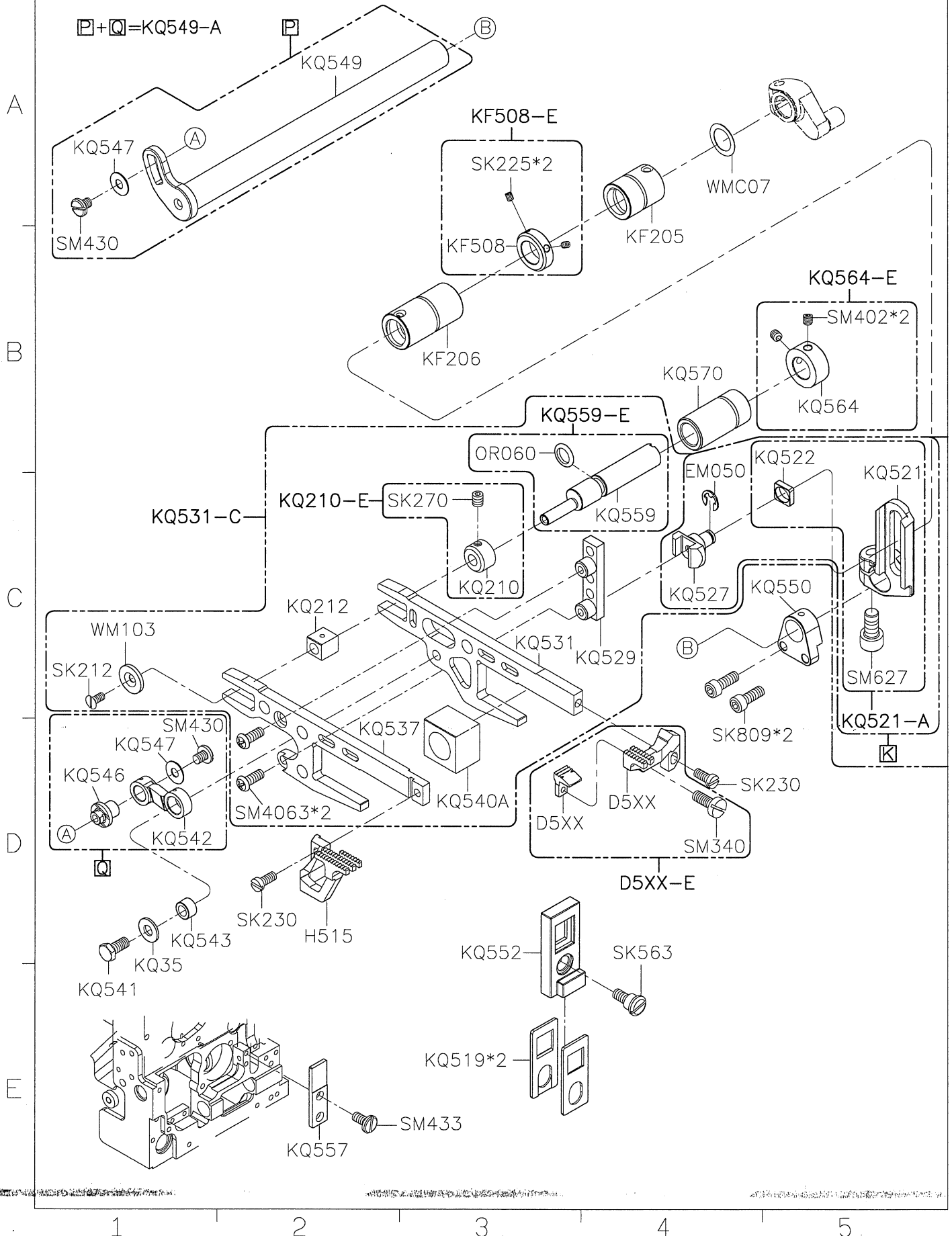
C

D

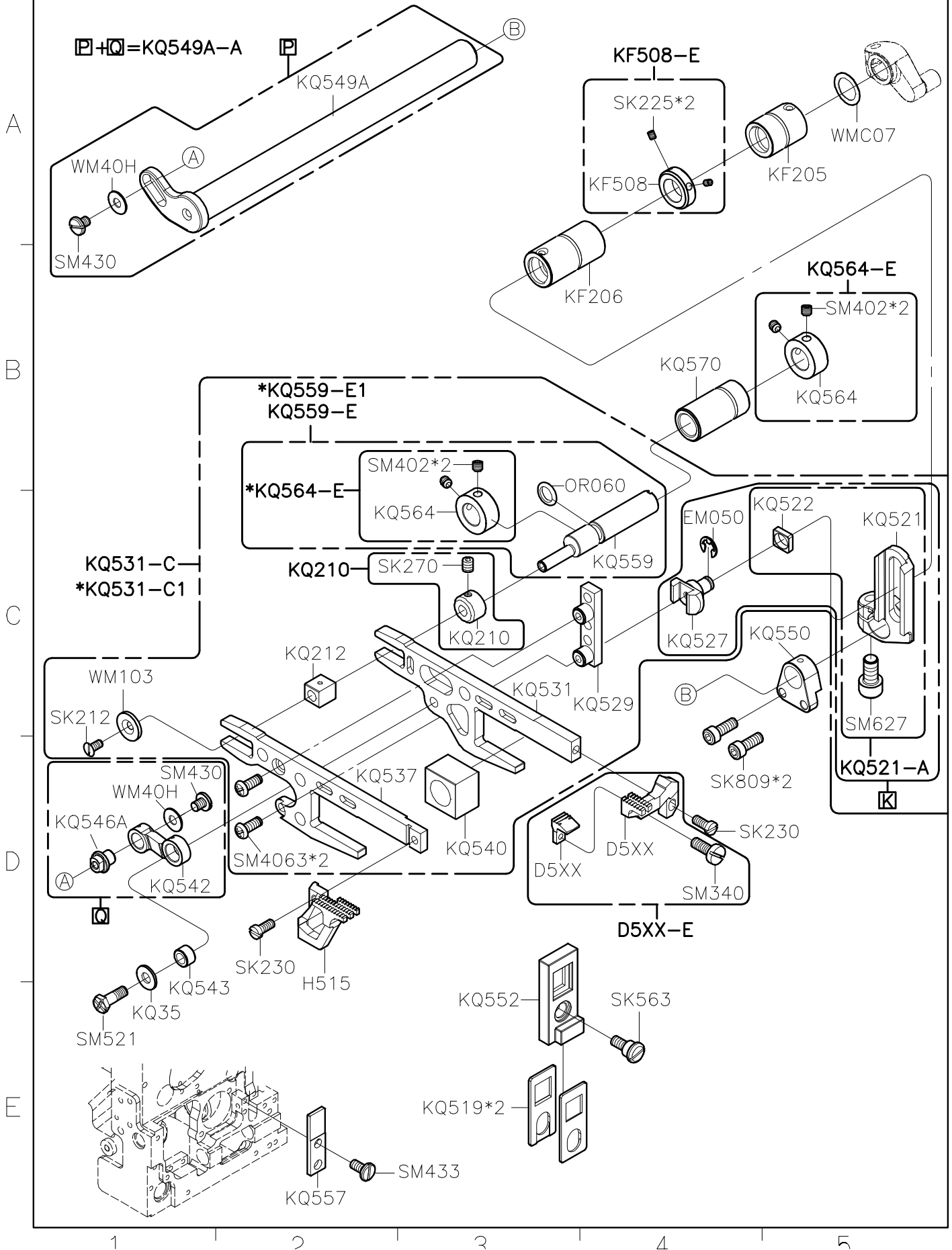
E







SIRUBA PARTS LIST	Series	Parts Group	Subclass / Remark	Page
	700KST	KQ	*FOR 4K90KST用	1/2
				Date
				2023/07/06



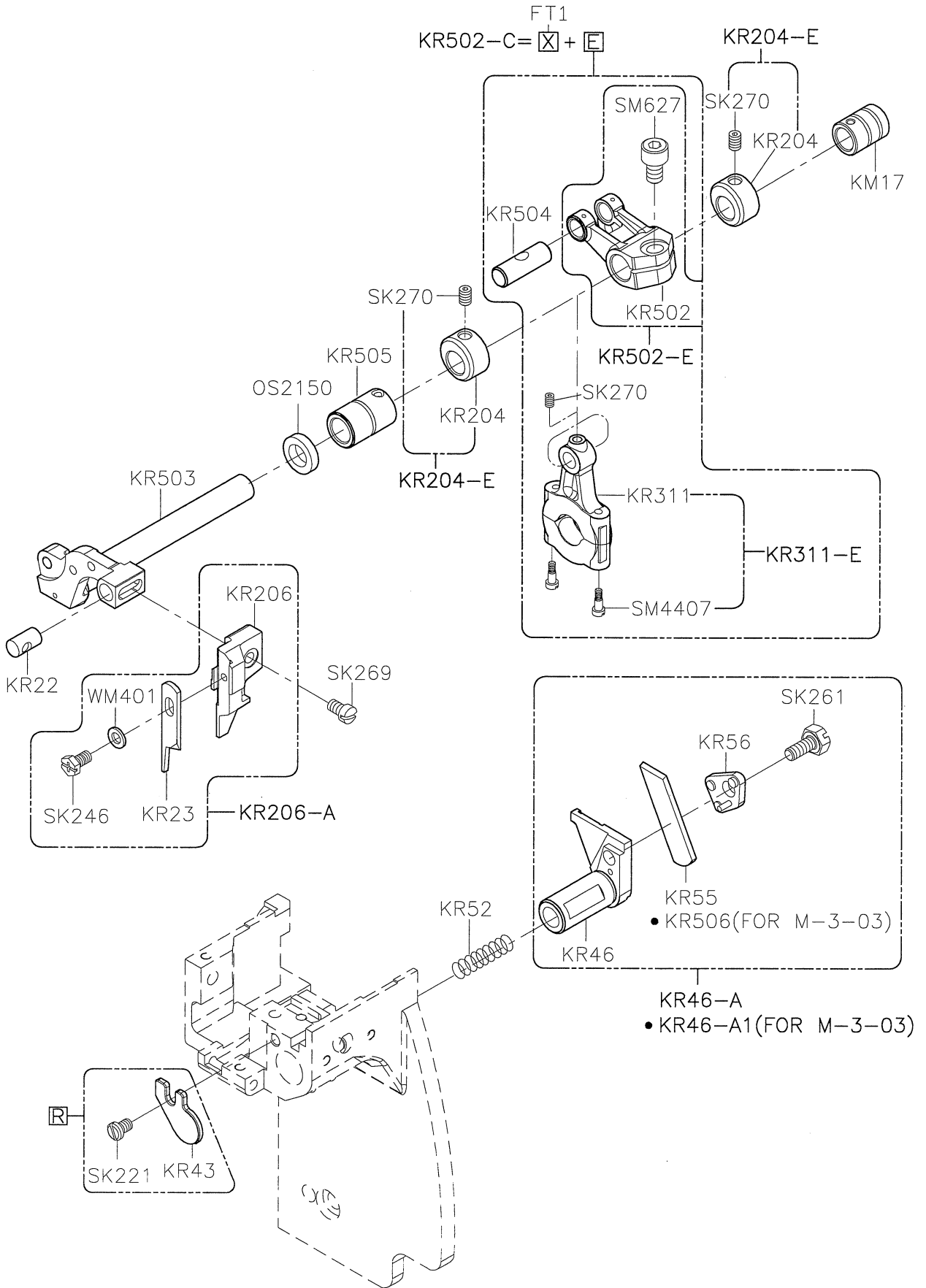
A

B

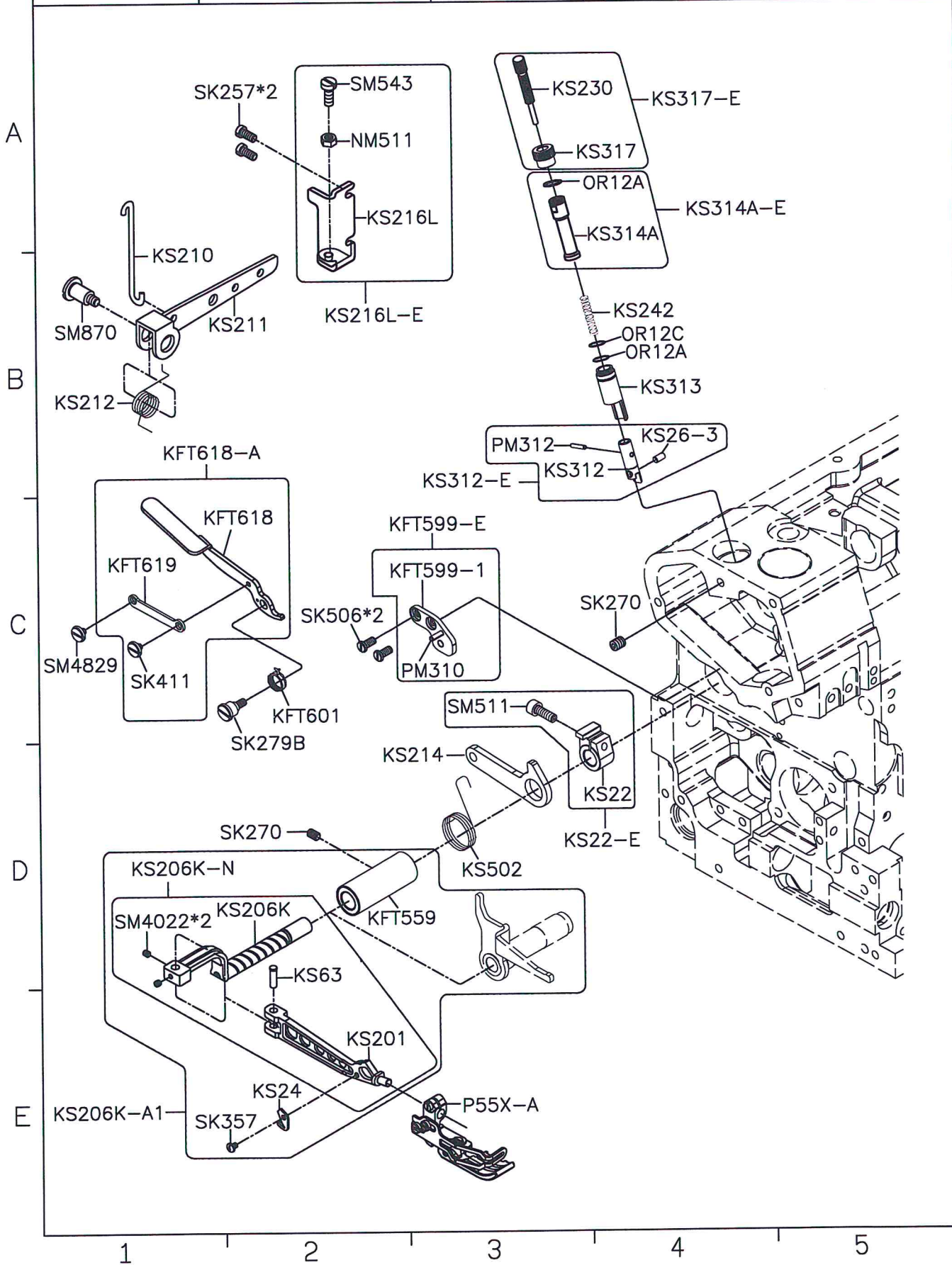
C

D

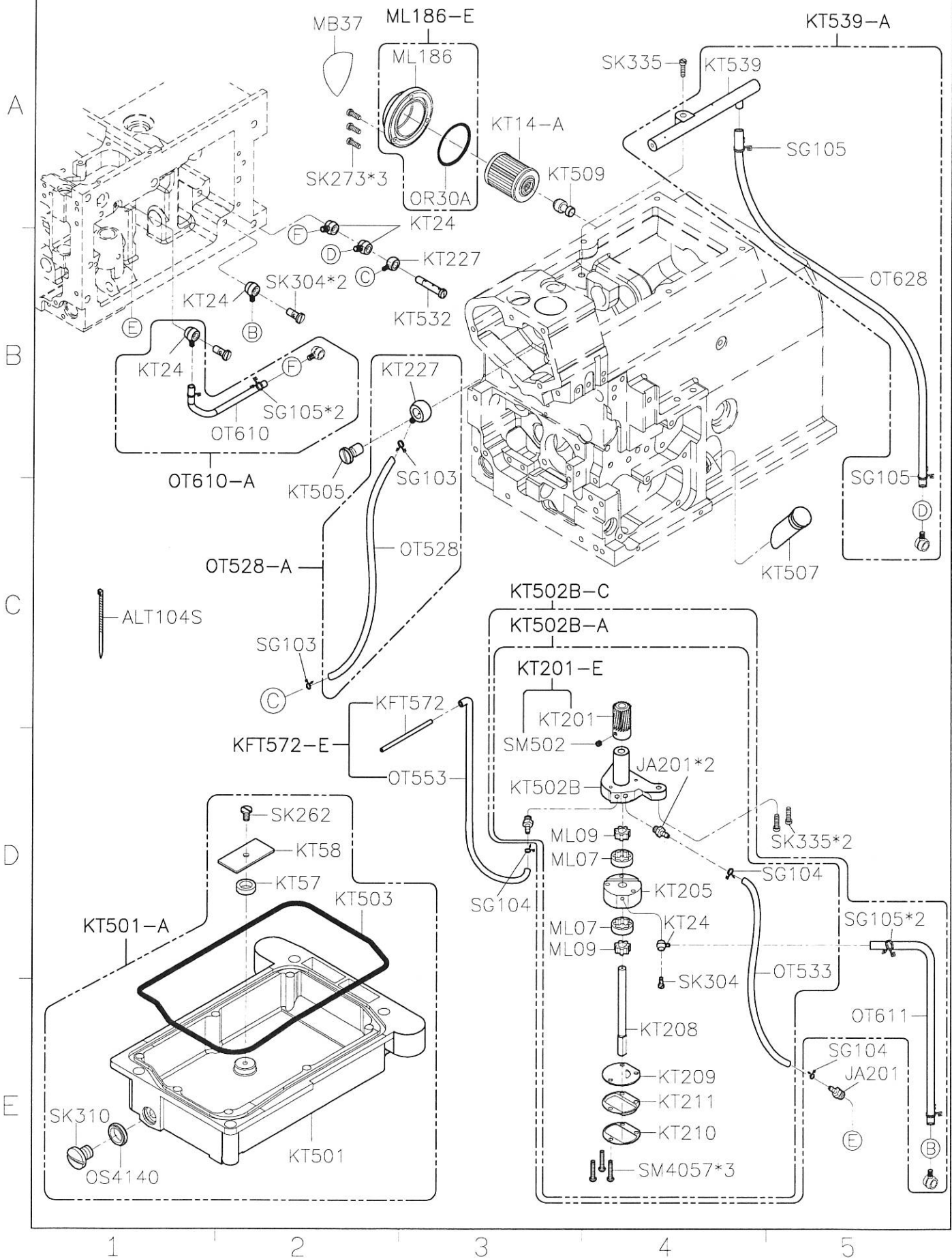
E



SIRUBA PARTS LIST	Series	Parts Group	Subclass / Remark	Page
	700KST	KS		1/1
				Date
				2024/05/15

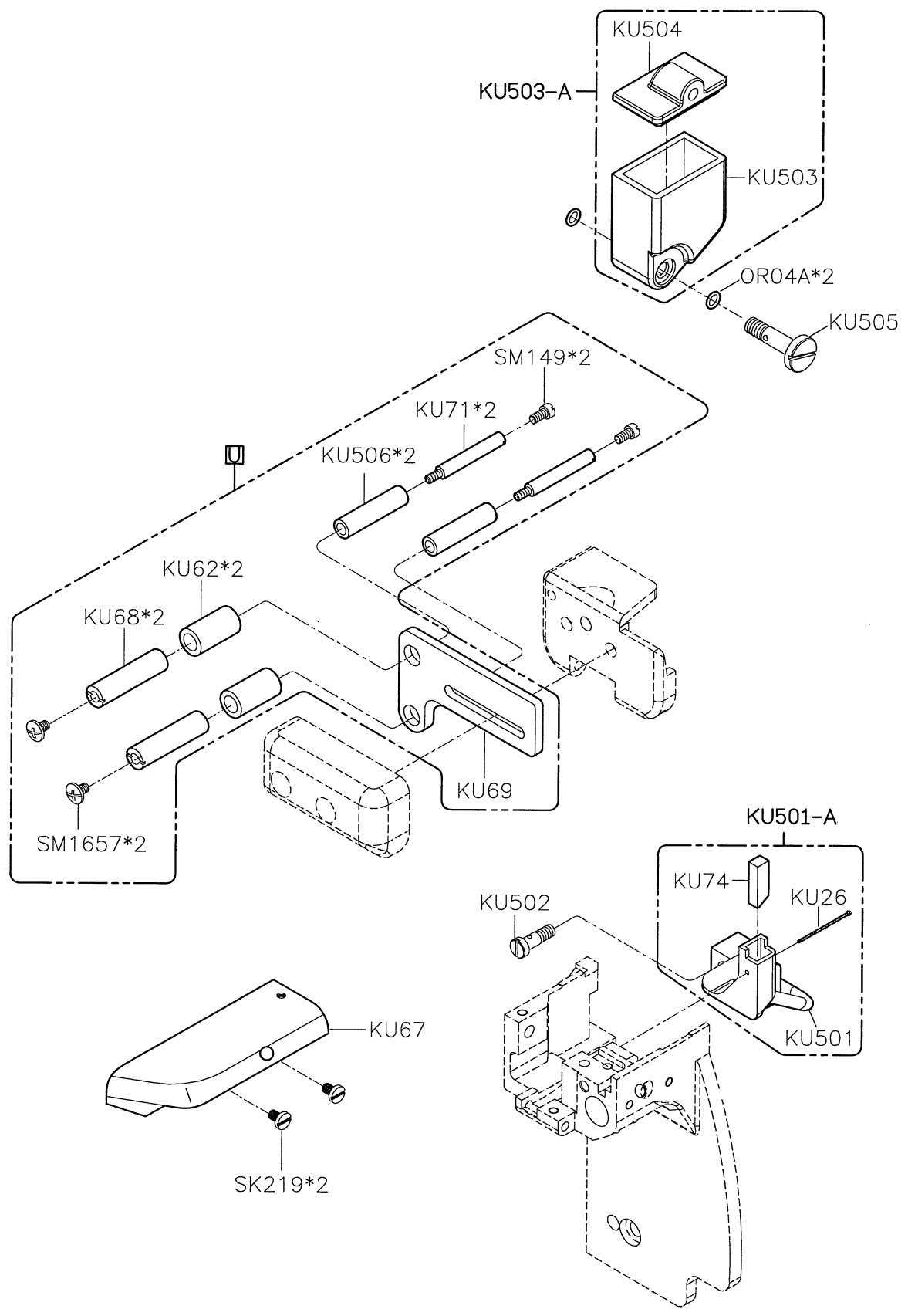


SIRUBA PARTS LIST	Series	Parts Group	Subclass / Remark	Page
	700KST	KT		1/1
				Date
				2023/08/03



SIRUBA PARTS LIST	Series	Parts Group	Subclass / Remark	Page
	700KS/T	KU		1/1
				Date
				2013/10/09

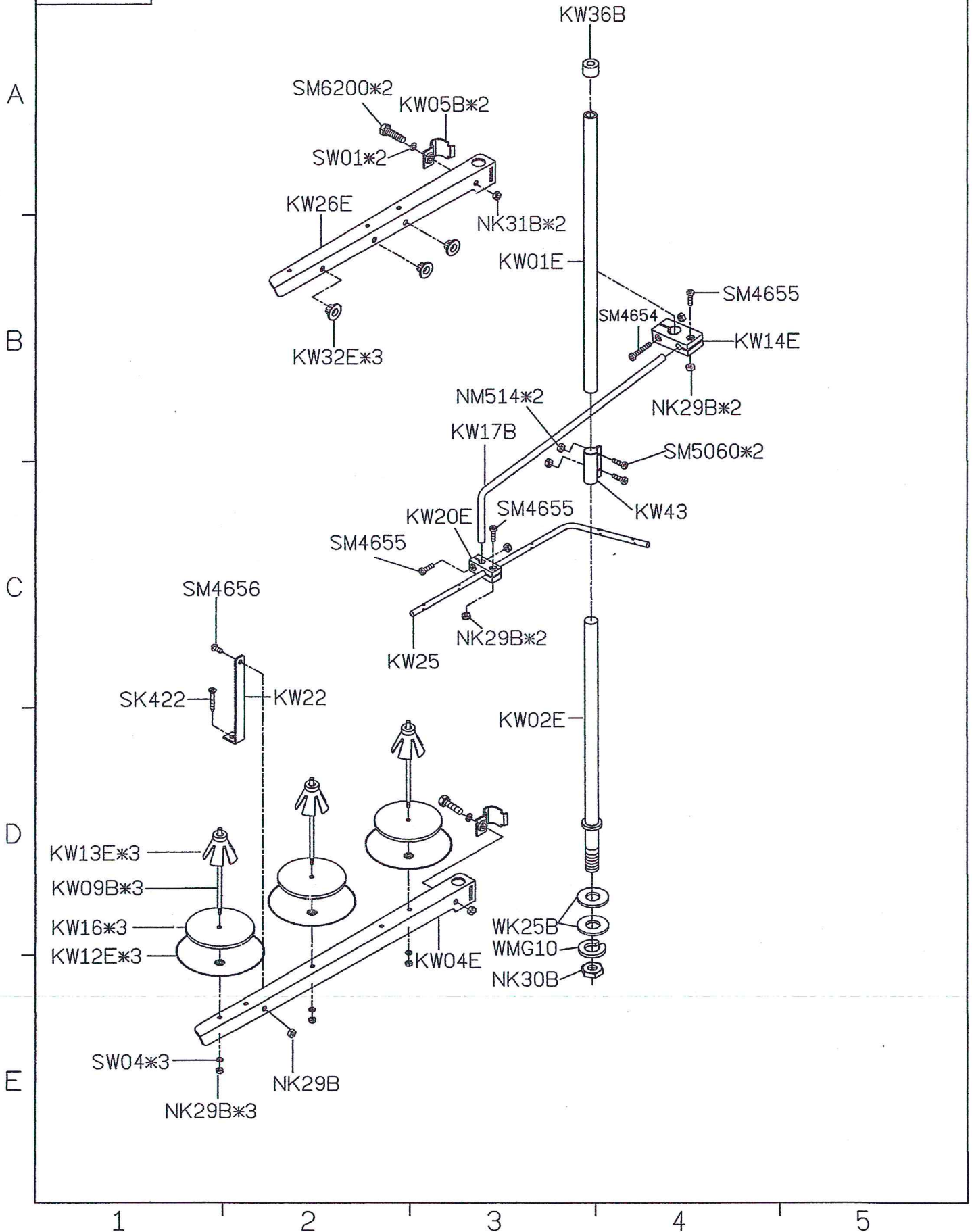
A
B
C
D
E



1 2 3 4 5

SIRUBA PARTS LIST	Series	Parts Group	Subclass / Remark	Page
	拷克	KW		1/4
	Overlock			Date
	含MO6800系列			2022/07/11

KW40E-3

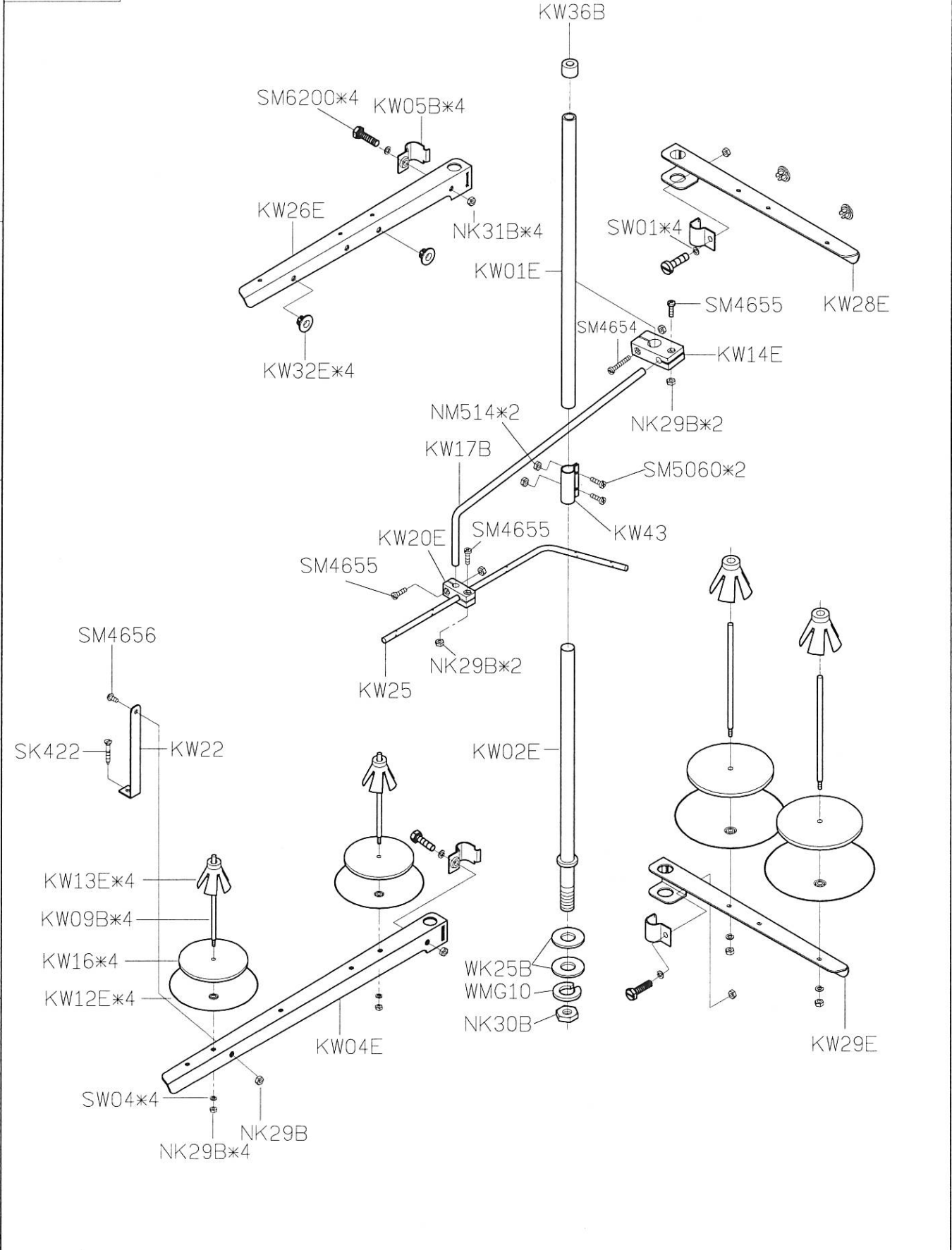


SIRUBA PARTS LIST	Series	Parts Group	Subclass / Remark	Page
	拷克	KW		2/4
	Overlock			Date
	含MO6800系列			2022/07/11

KW40E-4

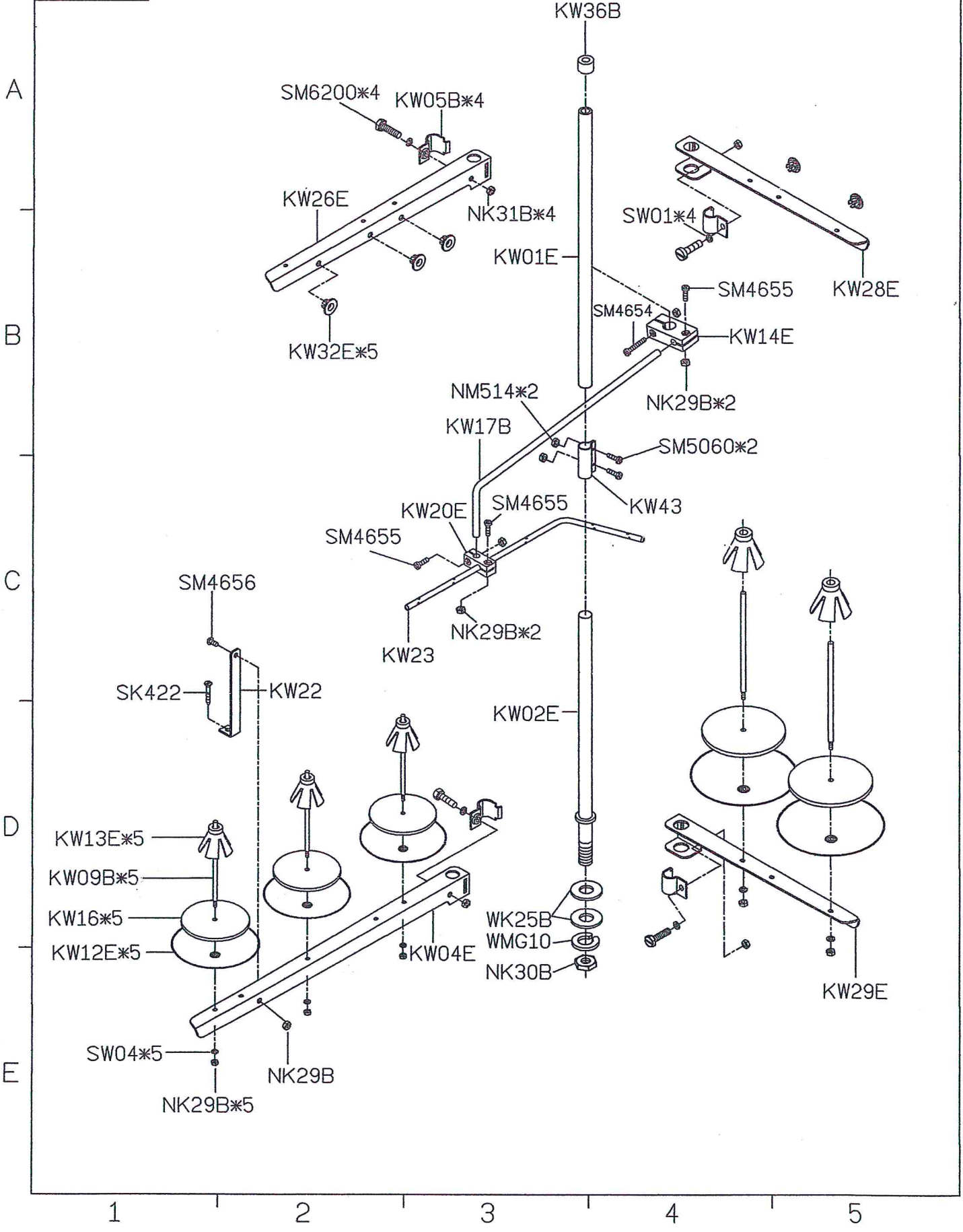
A
B
C
D
E

1 2 3 4 5



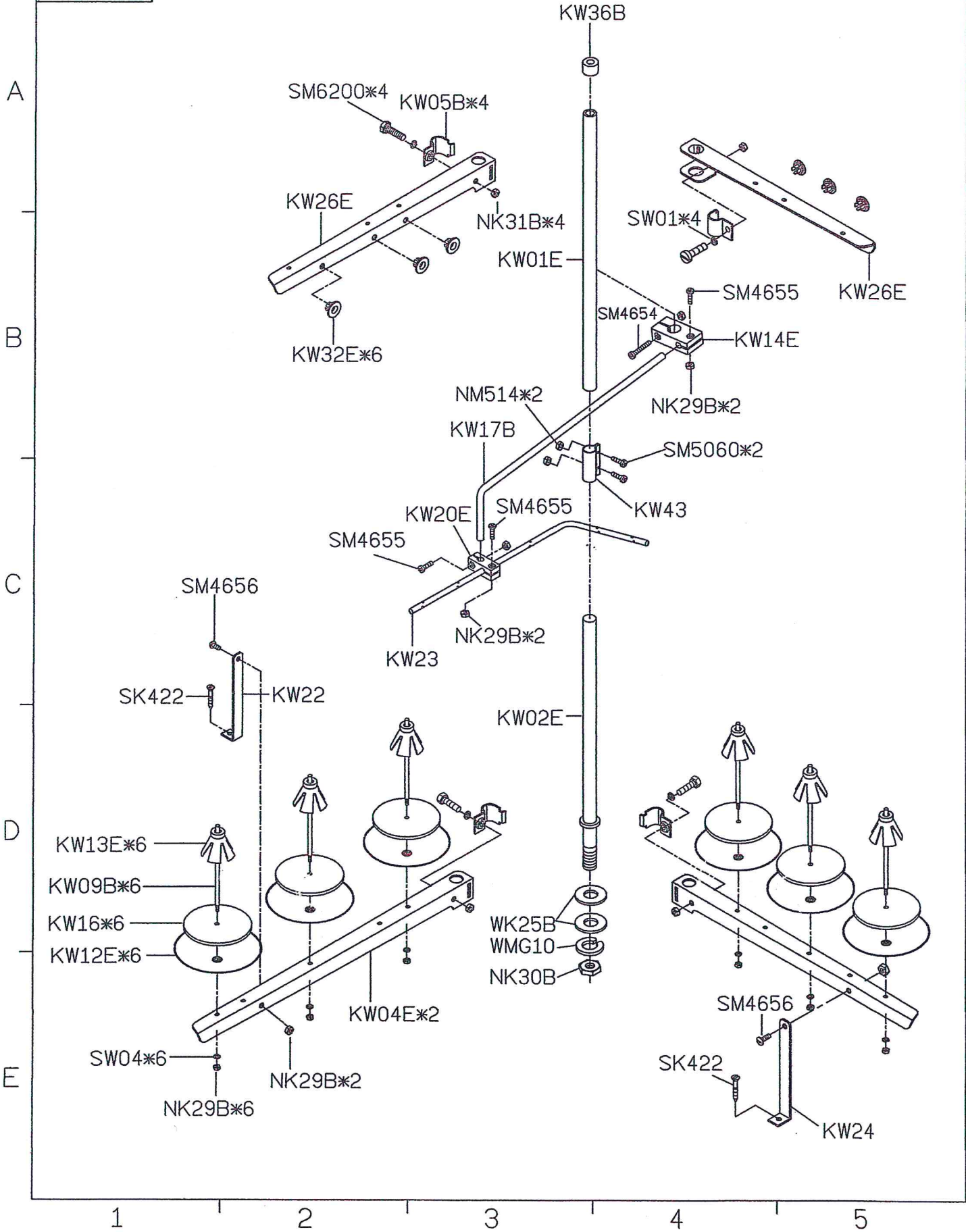
SIRUBA PARTS LIST	Series	Parts Group	Subclass / Remark	Page
	拷克	KW		3/4
	Overlock			Date
	含MO6800系列			2022/07/11

KW40E-5

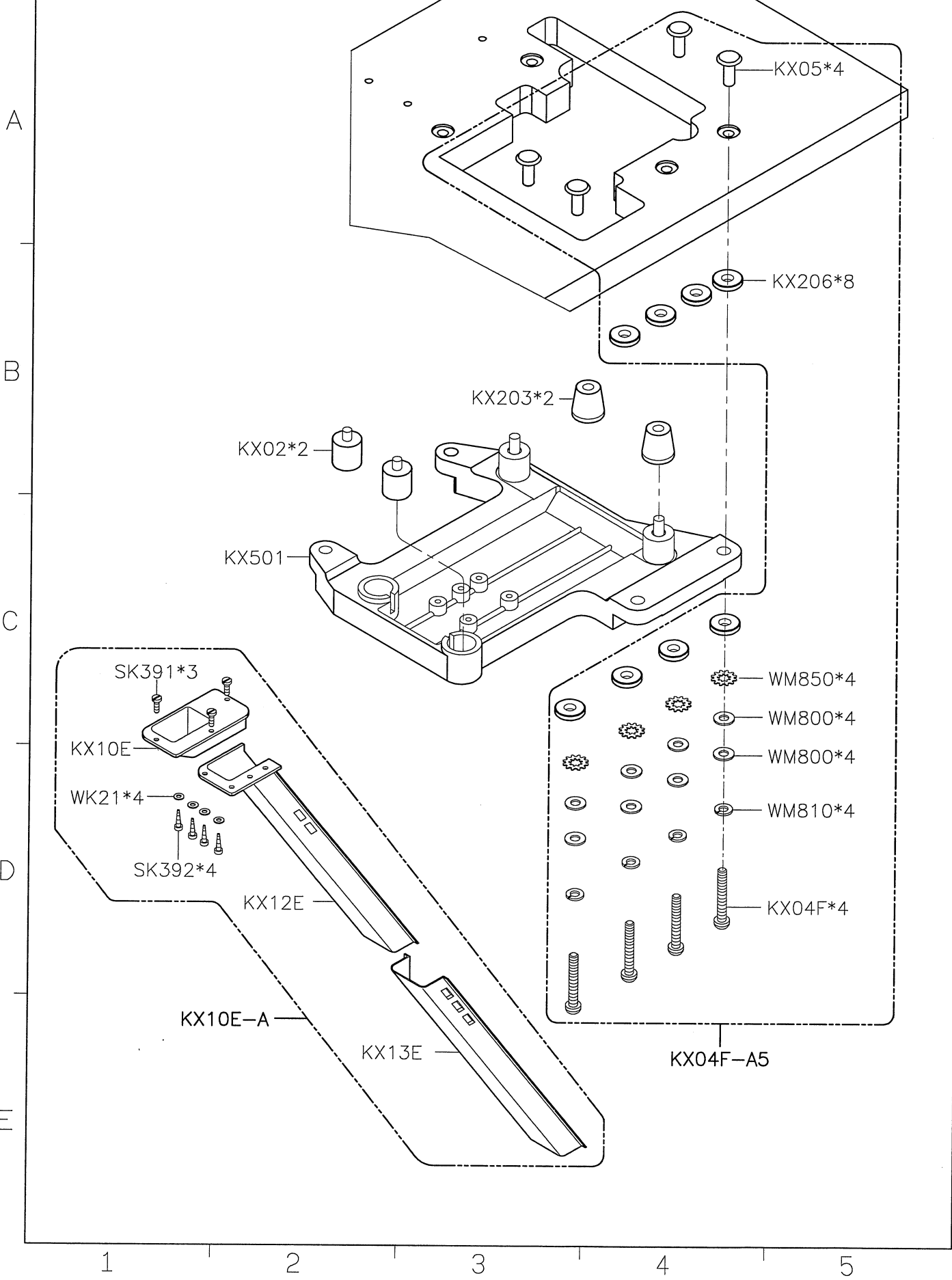


SIRUBA PARTS LIST	Series	Parts Group	Subclass / Remark	Page
	拷克	KW		4/4
	Overlock			Date
	含MO6800系列			2022/07/11

KW40E-6

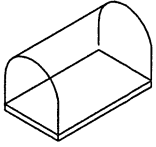


SIRUBA PARTS LIST	Series	Parts Group	Subclass / Remark	Page
	700KS/T	KX		1/1
				Date
				2014/03/05



SIRUBA PARTS LIST	Series	Parts Group	Subclass / Remark	Page
	700KST	KY		1/1
				Date
				2020/12/01

KY01-1
防塵罩



KY02F-A
油罐



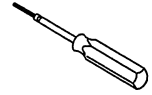
KY03
油壺



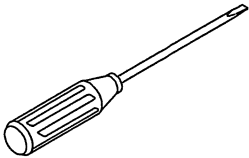
KY04
漏斗



KY14
內六角螺絲起子



LY33
一字起子



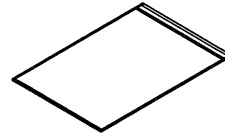
KY18
鑷子



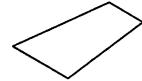
SK216
螺絲



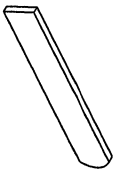
KY201JK
工具袋



KY30
針板紙



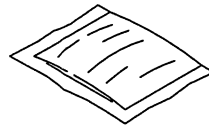
KR55
下刀片



KT14-A
濾油器



KZ03
乾燥劑



針*4
車針



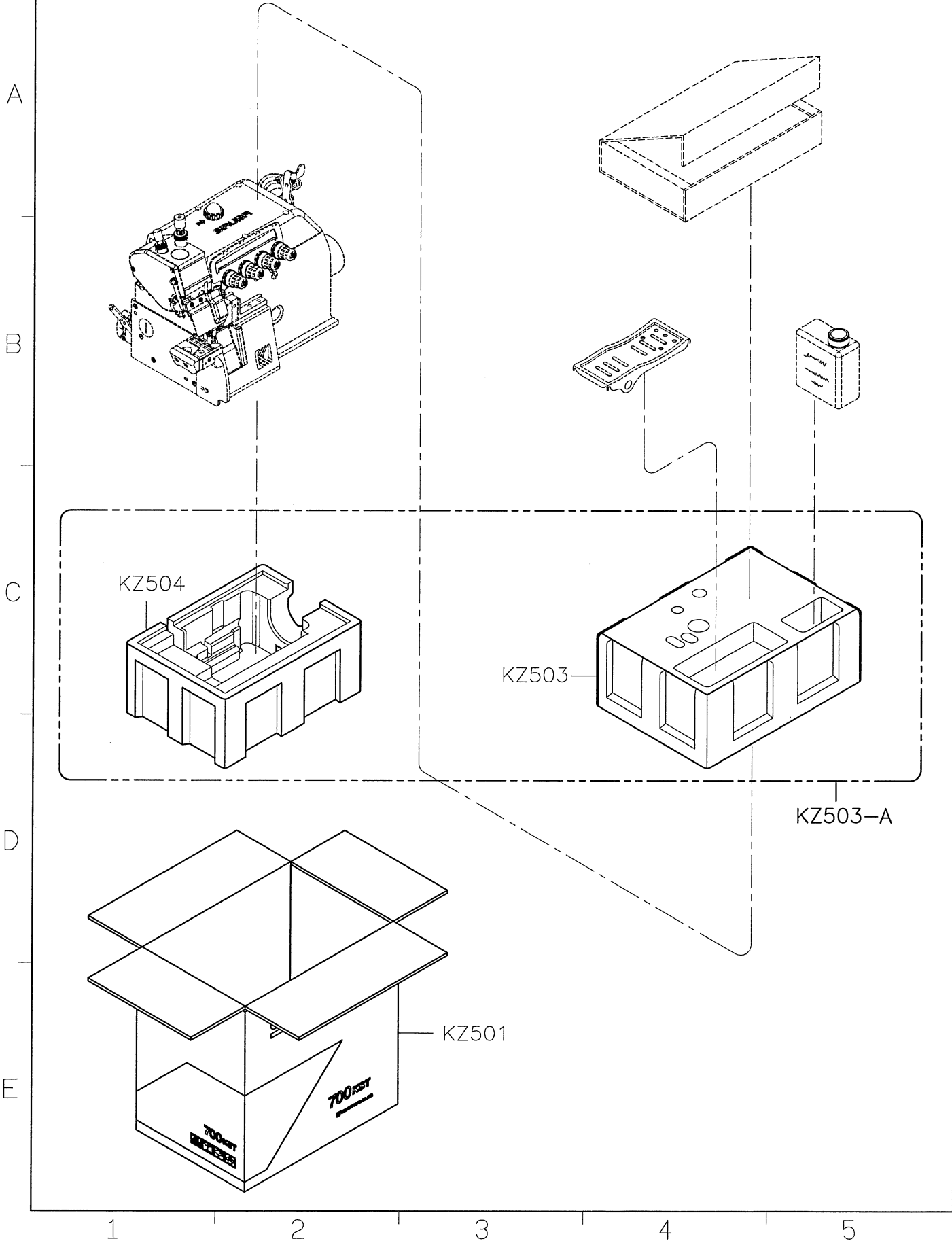
LY35
一字起子



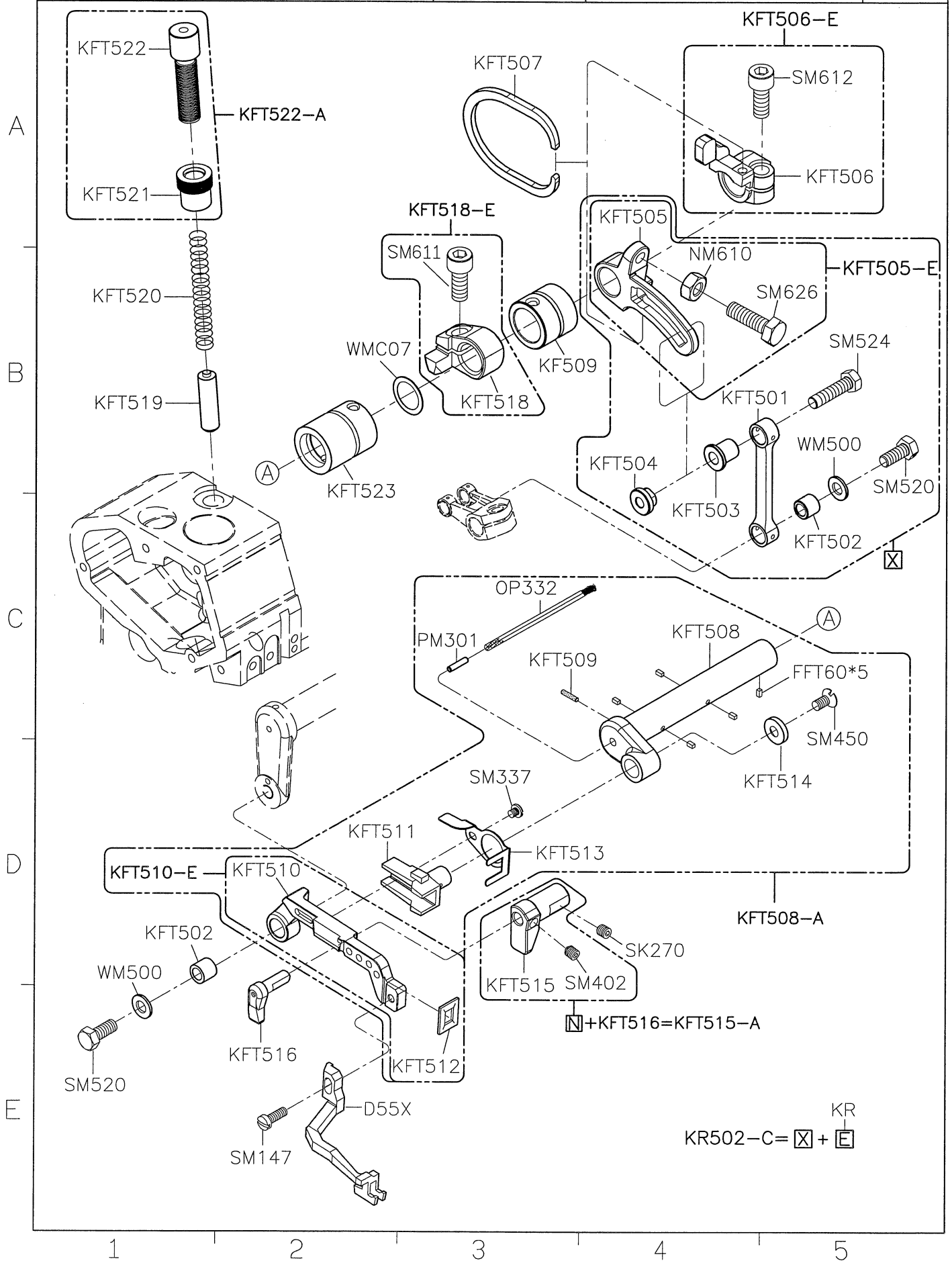
KY21-A/MY21-A
鉤子/鍊條



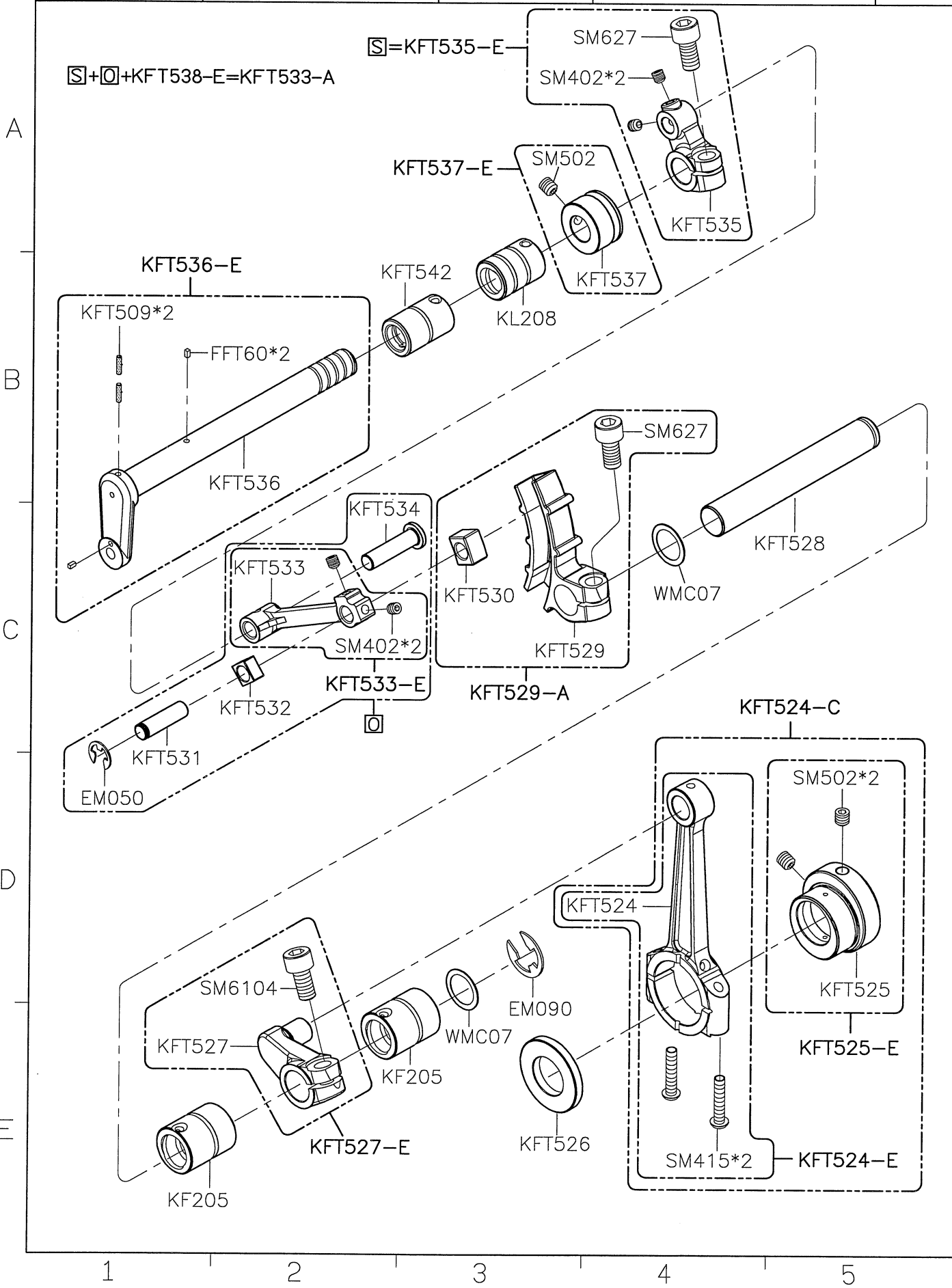
SIRUBA PARTS LIST	Series	Parts Group	Subclass / Remark	Page
	700KST	KZ		1/1
				Date
				2013/10/09



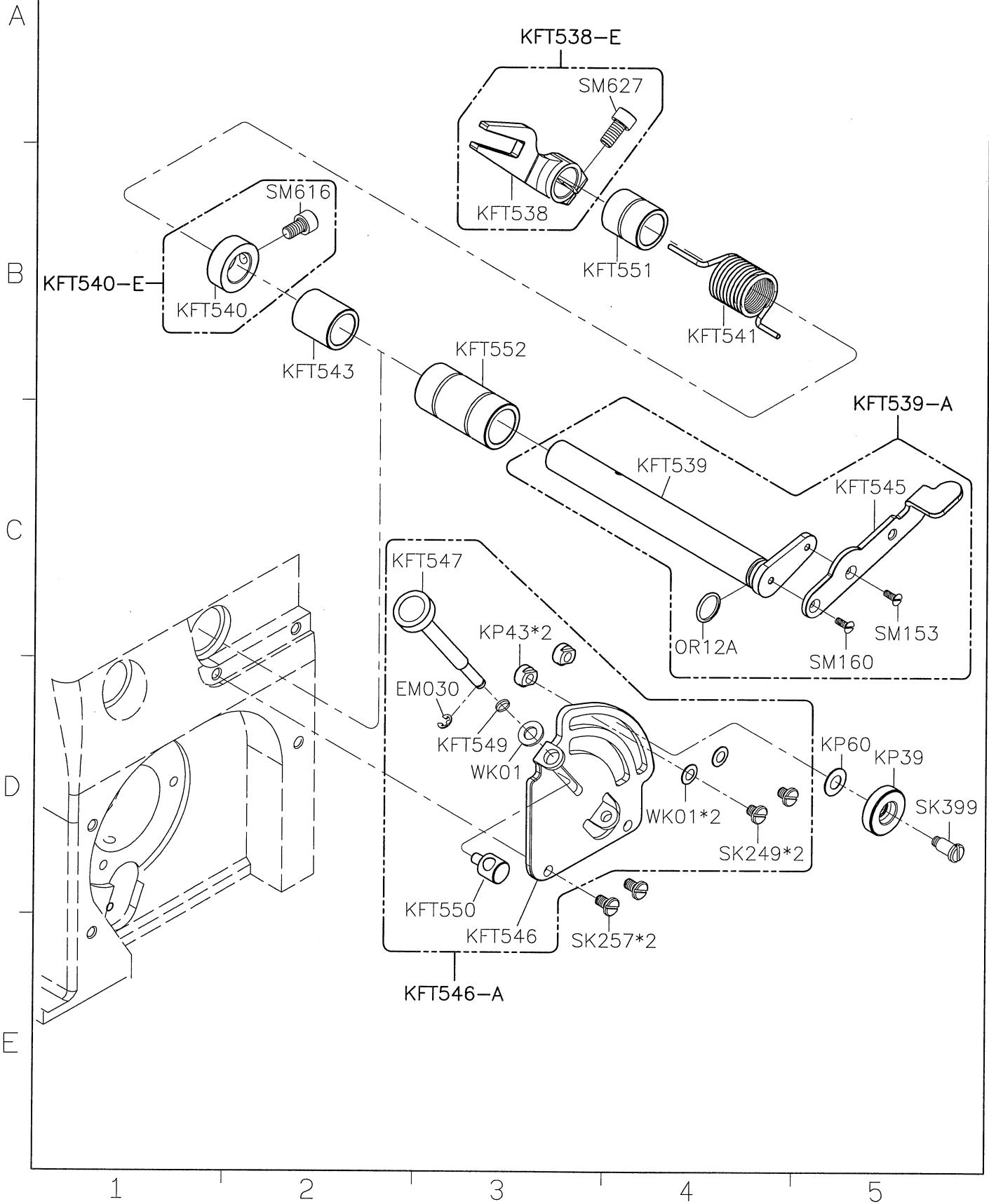
SIRUBA PARTS LIST	Series	Parts Group	Subclass / Remark	Page
	700KST	FT		1/4
				Date
				2015/07/21



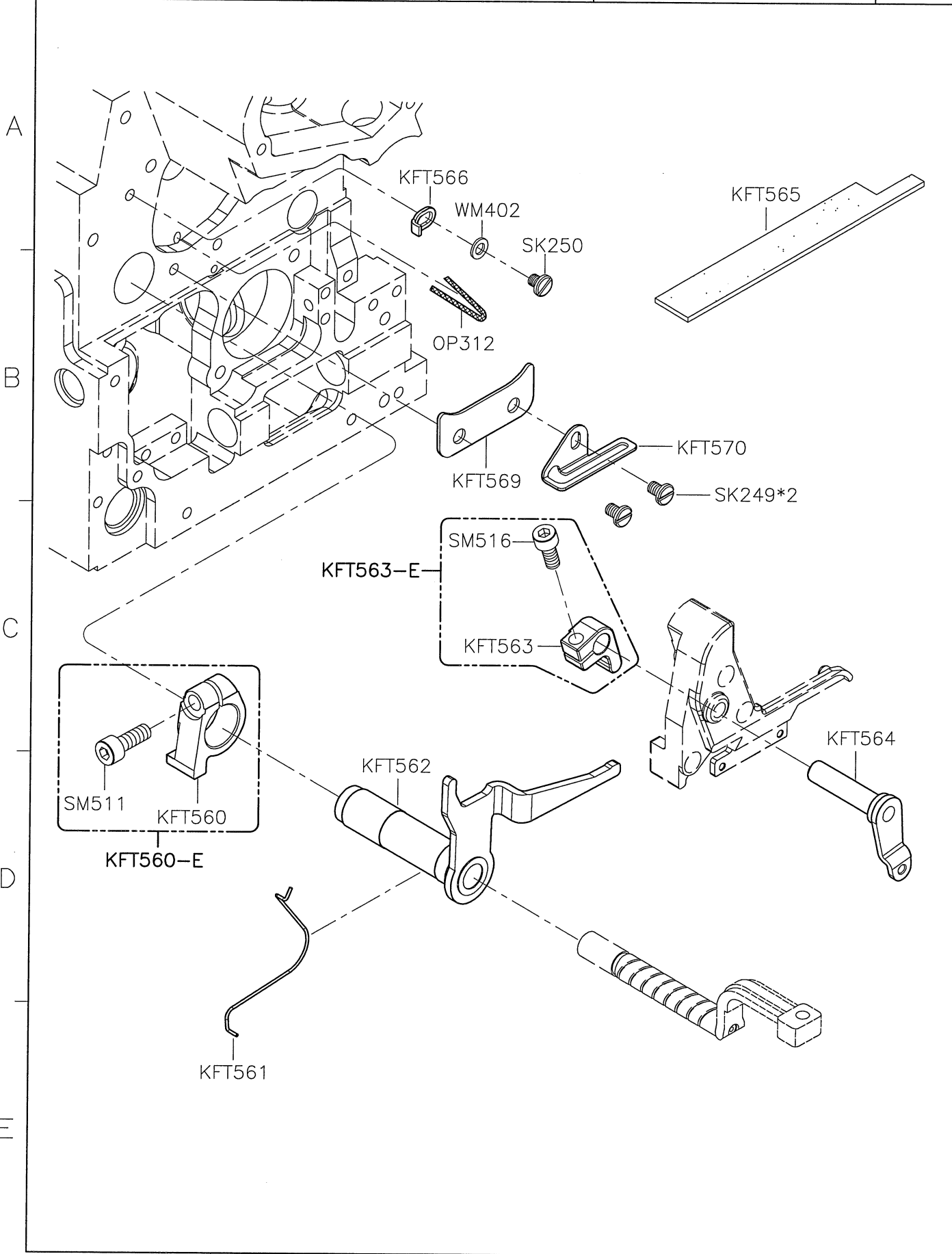
SIRUBA PARTS LIST	Series	Parts Group	Subclass / Remark	Page
	700KST	FT		2/4
				Date
				2014/10/22



SIRUBA PARTS LIST	Series	Parts Group	Subclass / Remark	Page
	700KST	FT		3/4
				Date
				2015/06/23



SIRUBA PARTS LIST	Series	Parts Group	Subclass / Remark	Page
	700KS/T	FT		4/4
				Date
				2014/05/30



SIRUBA

TABLE
CUT - OUT

Series

700KS/T

Item Code

700KS-T

Subclass Remark

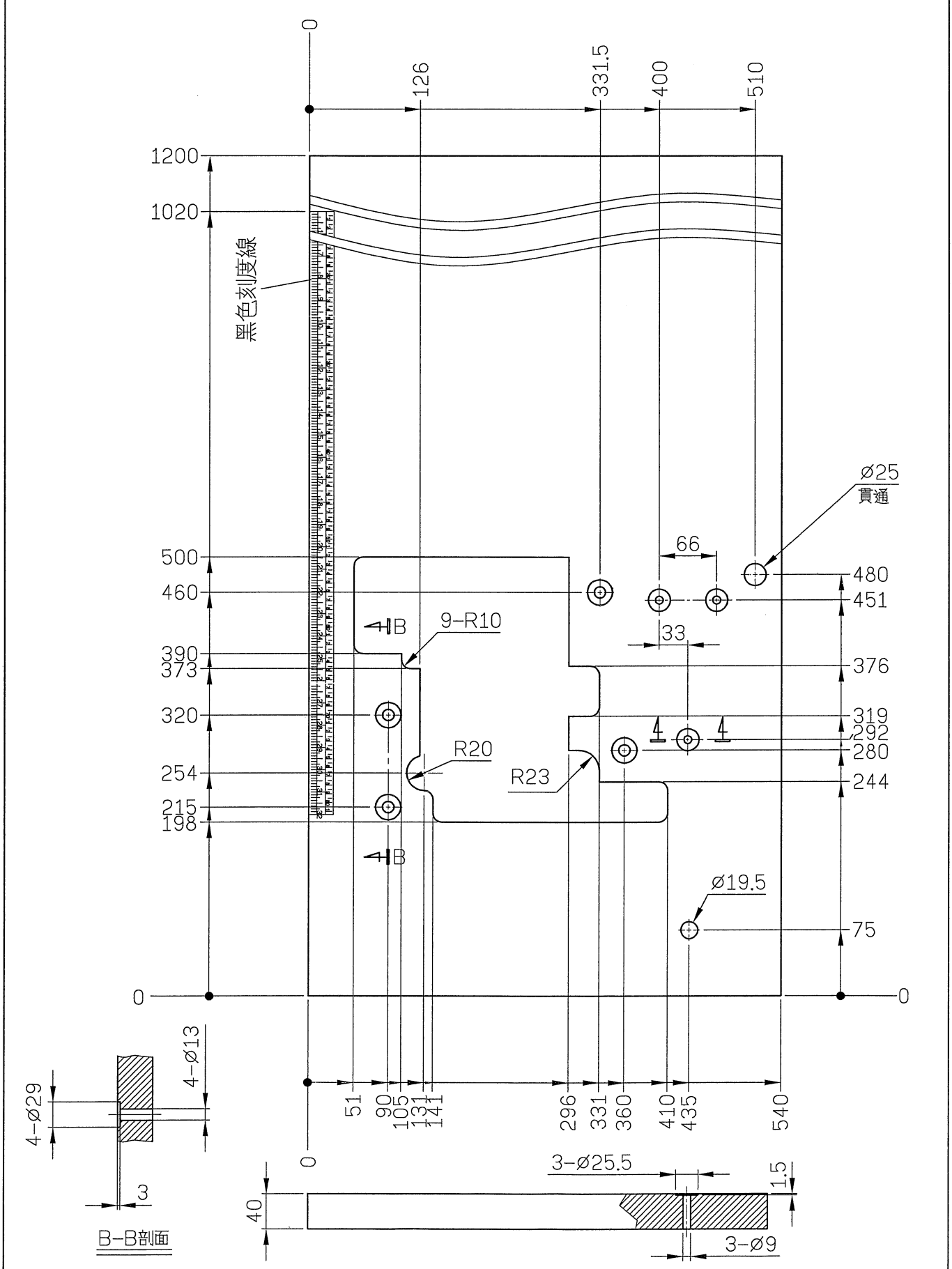
UNIT: mm
TOLERANCE: ± 2
WEIGHT: 11.6 kg $\pm 5\%$

Mounting

Semi-submerged

Date

2014/06/18



SIRUBATABLE
CUT - OUT

Series

700KS/T

Item Code

700KS-T1

Subclass Remark

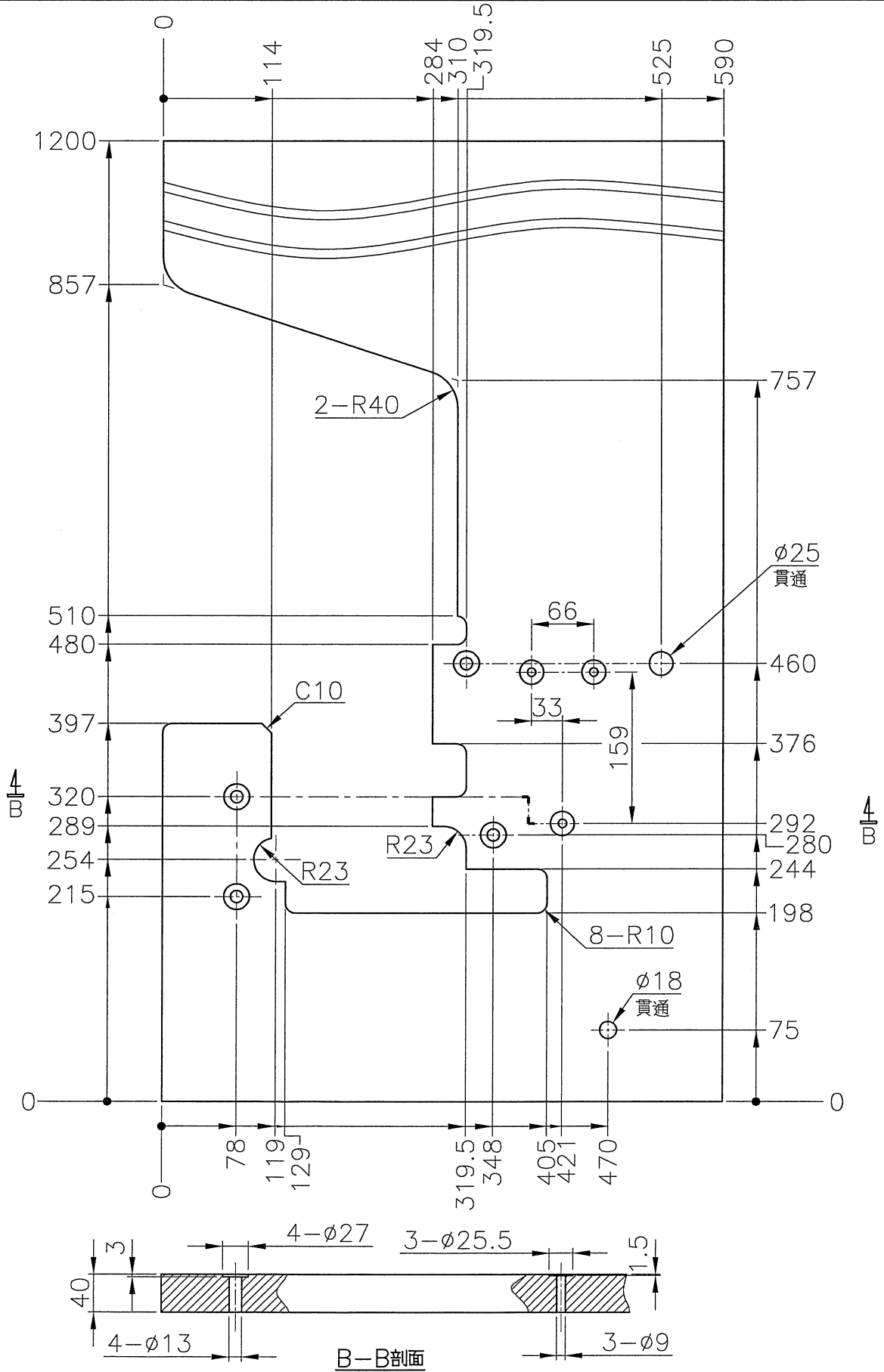
UNIT: mm
TOLERANCE: ± 2
WEIGHT: 11.6 kg $\pm 5\%$

Mounting

Semi-submerged

Date

2013/09/30



SIRUBA

TABLE
CUT - OUT

Series

700KS/T

Item Code

700KS-T2

Subclass Remark

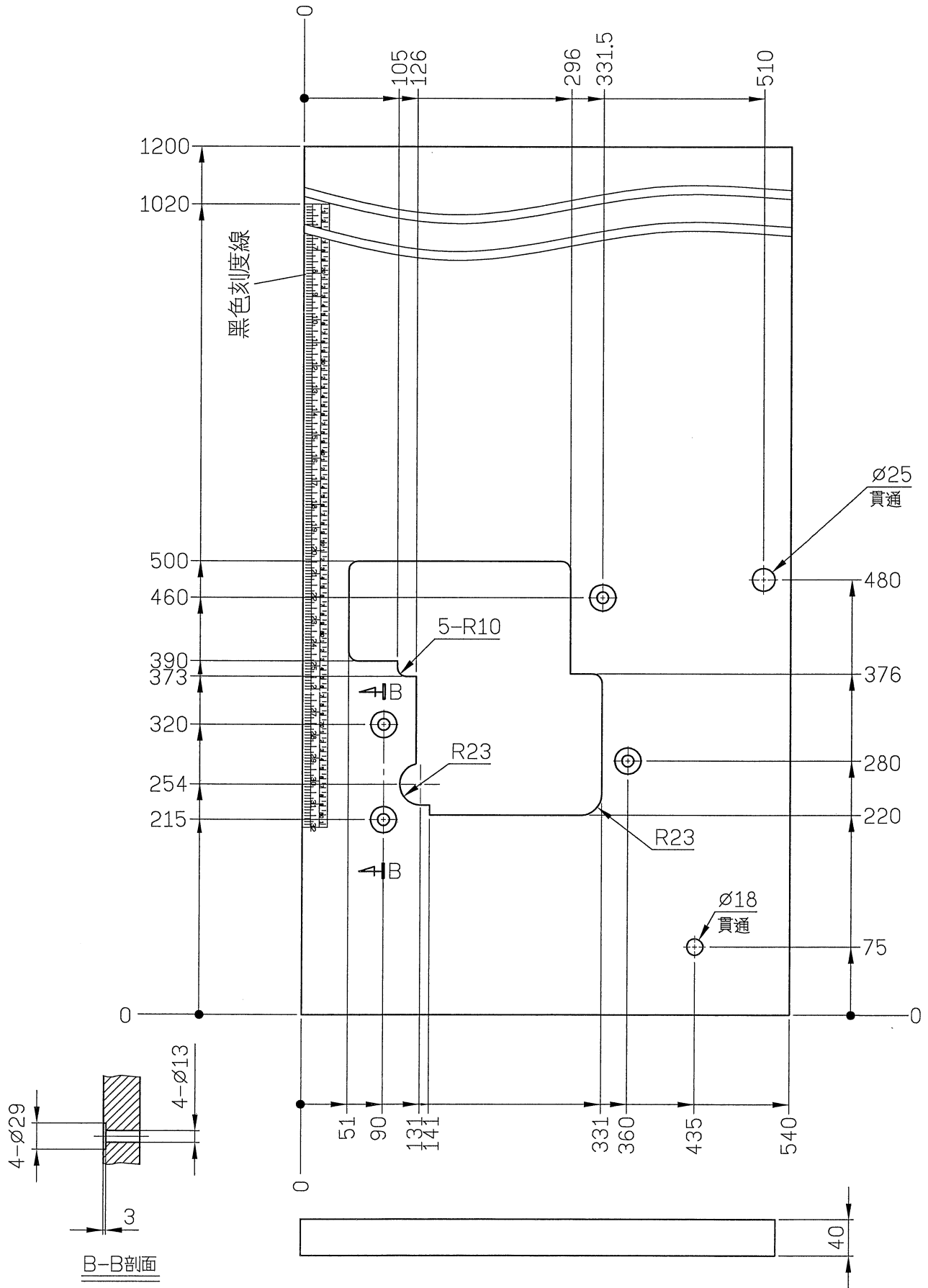
UNIT: mm
TOLERANCE: ± 2
WEIGHT: 11.6 kg $\pm 5\%$

Mounting

Semi-submerged
installation

Date

2014/06/18



SIRUBATABLE
CUT - OUT

Series

700KS/T

Item Code

700KS-T3

Subclass Remark

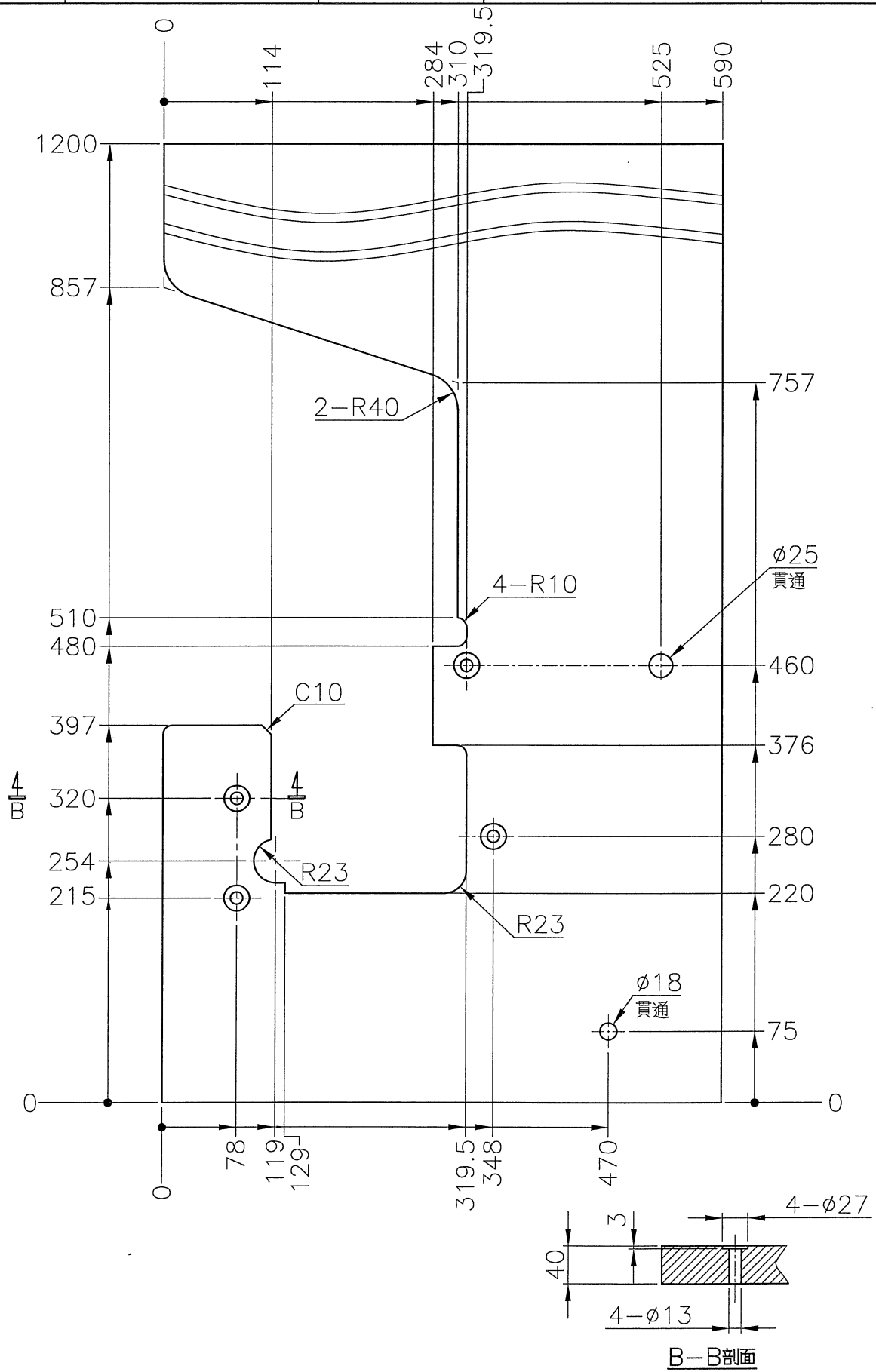
UNIT: mm
TOLERANCE: ± 2
WEIGHT: 11.6 kg $\pm 5\%$

Mounting

Semi-submerged
installation

Date

2014/06/05



SIRUBA

TABLE
CUT - OUT

Series

700KS/T

Item Code

700KS-T4

Subclass Remark

UNIT: mm
TOLERANCE: ± 2
WEIGHT: 11.6 kg $\pm 5\%$

Mounting

Semi-submerged
installation

Date

2016/08/08

